

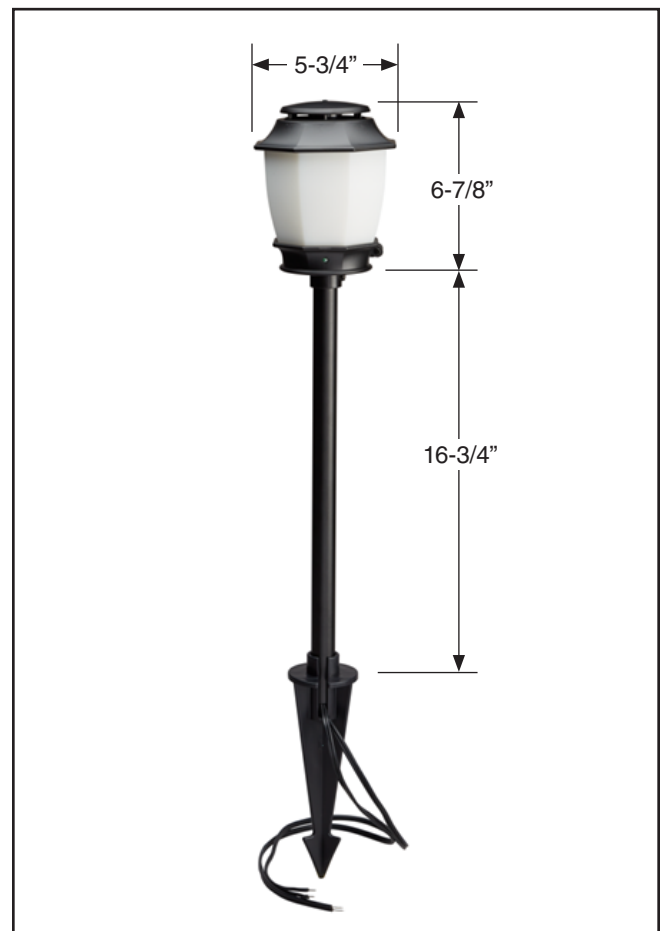
haven™

Backyard Lighting & Mosquito Repellent System

MODELS HVLFABL, HVLFABR

DESCRIPTION

- Landscape Light and Mosquito Repellent Fixture
- Includes one 24 ml Haven Repellent cartridge and adaptor cap - which provides 216 hours of protection
- Powder-coated, cast aluminum housing with UV stabilized polycarbonate lens
- Available in Black (BL) or Bronze (BR) finish
- 16 integrated LEDs provide 40 lumens at 2900K
- Green LED indicator light on fixture glows when repellent system is on; flashes after 195 hours of use to indicate it is time to check and/or replace Repellent Cartridge
- 18" stem and 10" plastic ground stake included
- 18" length of 18-gauge SPT cable with tinned ends for easy insertion into cable connector
- Two cable connectors and adaptors for 12-16 gauge cable included
- Optional Timer/Controller available for automatic operation of Light and Repellent systems (HVDCT)
- EPA Registration Number 1021-2618-90291



SPECIFICATIONS

Transformer Output Voltage	Amperage	Hz	Wattage
12VAC	1.2 A	60	9.0 W - Vaporizer only
15VAC	1.0 A		11.0 W - Vaporizer & Light

Broan-NuTone LLC Hartford, Wisconsin www.nutone.com 888-336-3948

REFERENCE	QTY.	REMARKS	Project
			Location
			Architect
			Engineer
			Contractor
			Submitted by
			Date