

SPECIFICATIONS

PARMA™ TWO HANDLE LAVATORY FAUCET

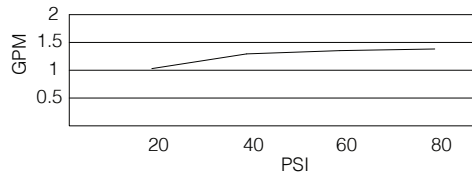
Model

D301059

Description

- Ceramic disc valves
- With swivel spout
- Metal touch down drain assembly
- Single hole mount

Flow Rate



Standards



- NSF 61-9
- Energy Policy Act of 1992



NSF/ANSI 372

- ASME A112.18.1M/A112.18.1
- NSF/ANSI 372

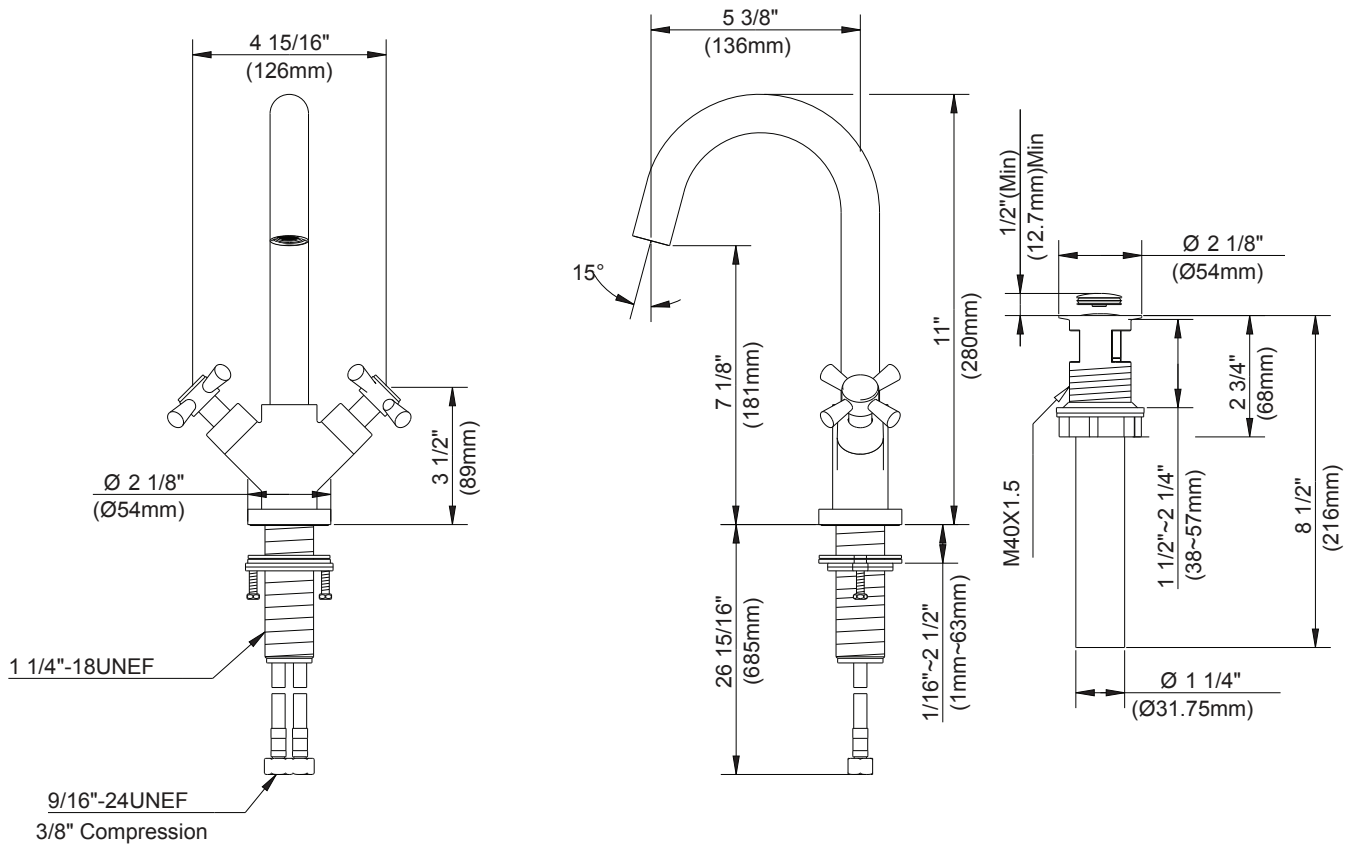


Finishes Available

- Chrome
- Brushed Nickel

Warranty

Danze products are covered by a manufacturer's limited "lifetime" warranty for manufacturing defects.



Submittal Information:

Job Name: _____
 Contractor: _____

Location: _____
 Contact #: _____