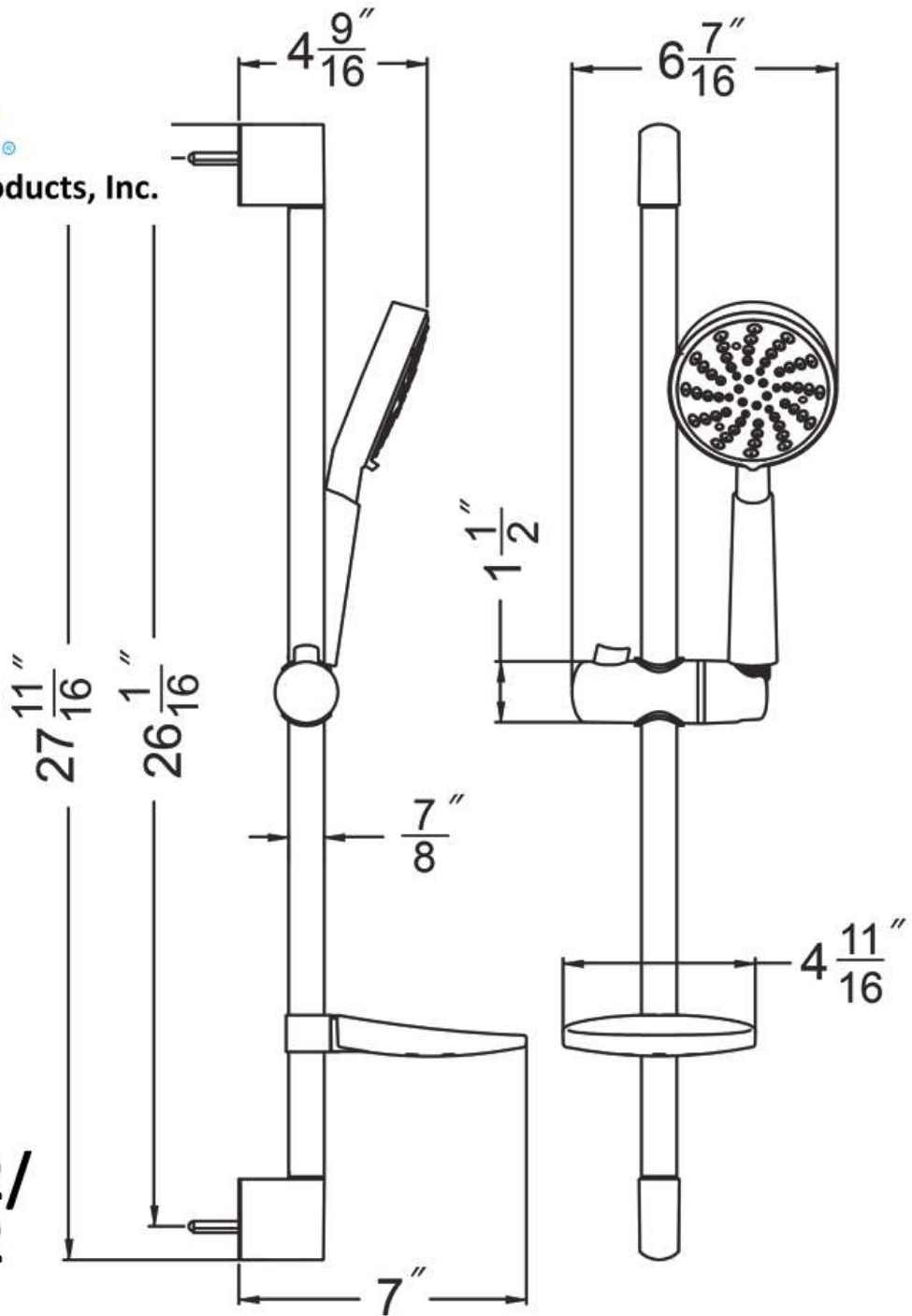


Dawn.

Kitchen & Bath Products, Inc.



**R28060102/
R28060402**