

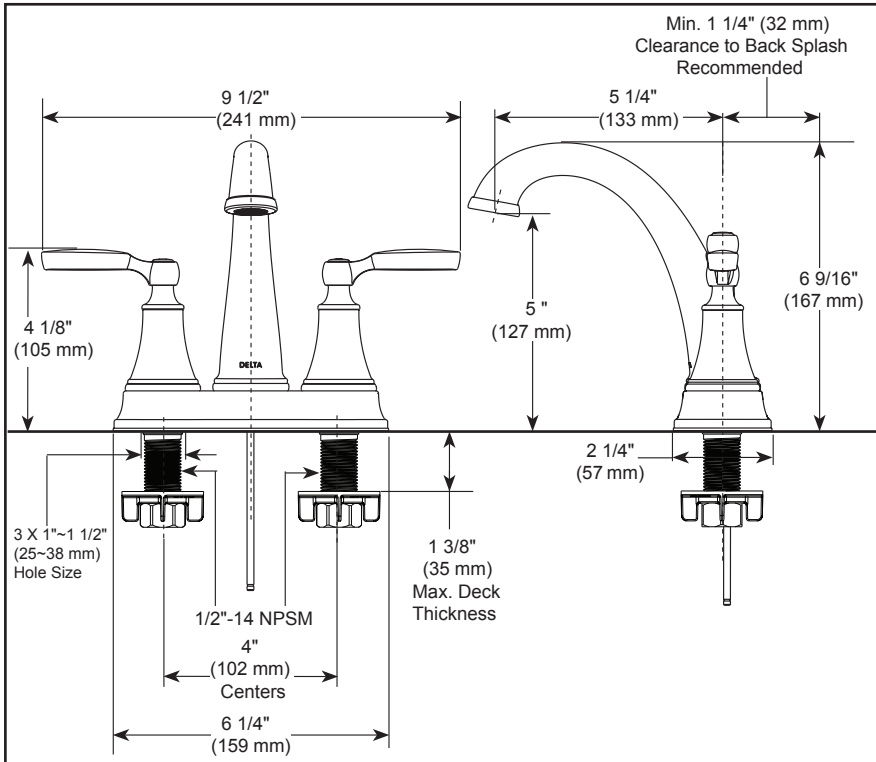
see what Delta can do™

BATHROOM FAUCET

- Woodhurst® Bath Collection
- Two Handle Deck Mount

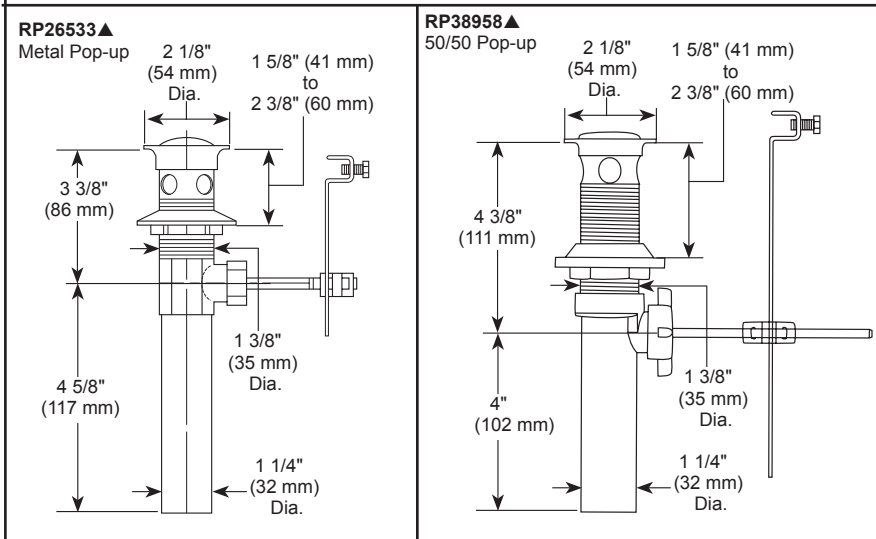
STANDARD SPECIFICATIONS:

- Max. flow rate 1.2 gpm @ 60 psi, 4.5 L/min @ 414 kPa
- Order aerator RP100071-1.0 for max. flow rate 1.0 gpm @ 60 psi, 3.8 L/min @ 414 kPa
- Order aerator RP100072-0.5 for max. flow rate 0.5 gpm @ 60 psi, 1.9 L/min @ 414 kPa
- Three-hole mount
- Hot and cold handle stems are interchangeable
- 1/4 turn handle stops
- 1/2"-14 NPSM threaded male inlet shanks
- Control mechanism is a rotating cylinder type with stainless steel plate and 90° rotation, with replaceable non-metallic seats
- Models with suffix "TP" have 50/50 pop-up type fitting with plated flange and stopper
- Models with suffix "MPU" have metal drain with pop-up type fitting with plated flange and stopper
- Standard mounting deck thickness can be extended by 1 1/4" (32 mm) with RP76691



WARRANTY

- Parts and Finish - Lifetime limited warranty; or for commercial purchasers, 10 years for multi-family residential (apartments and condominiums) and 5 years for all other commercial uses, in each case from the date the product is received by the original purchaser or their authorized representative (installation contractor, etc.).
- Please go to www.deltafaucet.com for the complete details of our limited warranty.



▲ Designate proper finish suffix

Delta Faucet Company reserves the right (1) to make changes in specifications and materials, and (2) to change or discontinue models, both without notice or obligation. Dimensions are for reference only. See current full-line price book or www.deltafaucet.com for finish options and product availability.

DSP-L-2532LF Rev. D

COMPLIES WITH:

- ASME A112.18.1/ CSA B125.1
- ASME A112.18.2/ CSA B125.2
- EPA WaterSense®
- ♿ ICC/ANSI A117.1 - Valve control only

Delta Faucet Company

55 E. 111th Street, Carmel, IN 46280
350 South Edgeware Road, St. Thomas, ON N5P 4L1
© 2024 Delta Faucet Company