

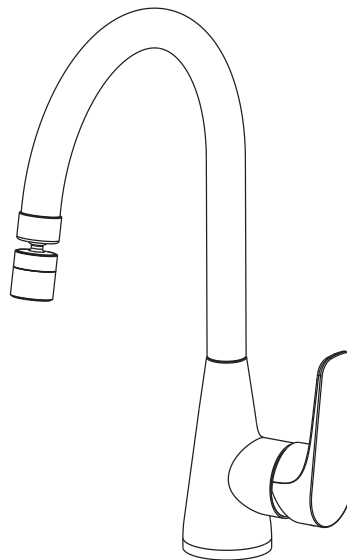


see what Delta can do™

113593

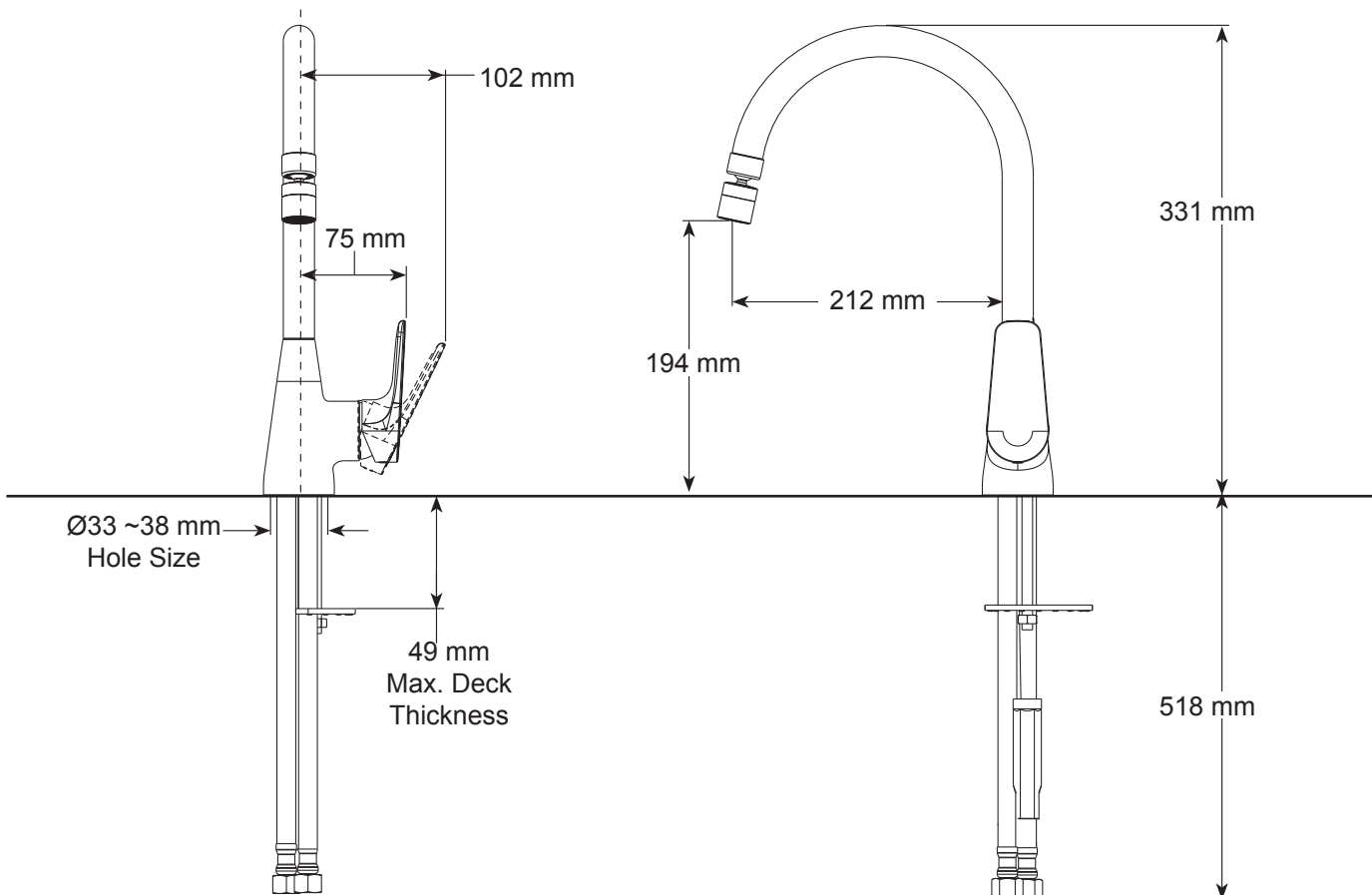
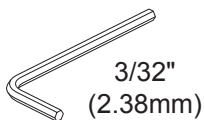
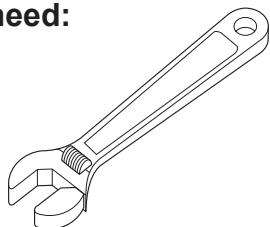
SINGLE HANDLE DECK MOUNT KITCHEN FAUCET

Models
44001-SQ

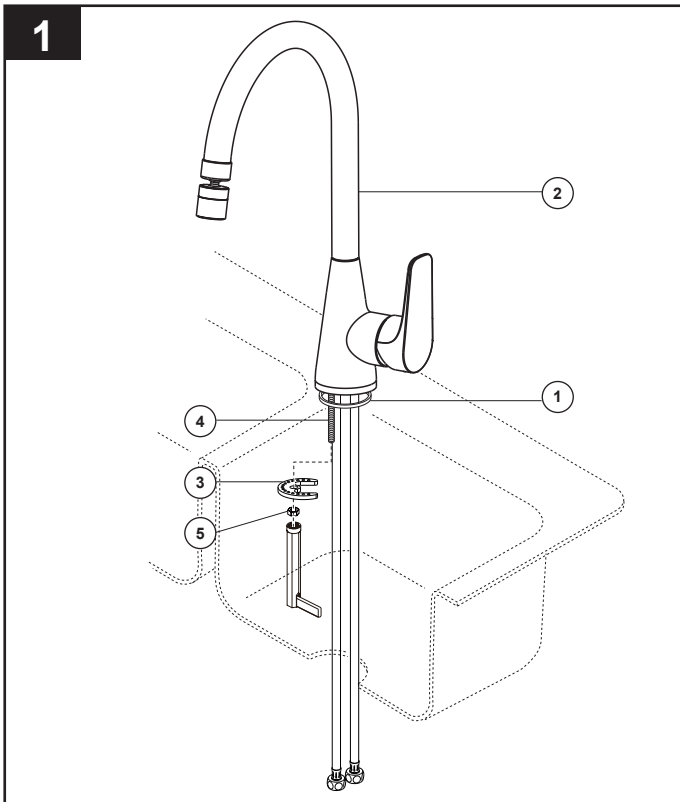


Write purchased model number here.

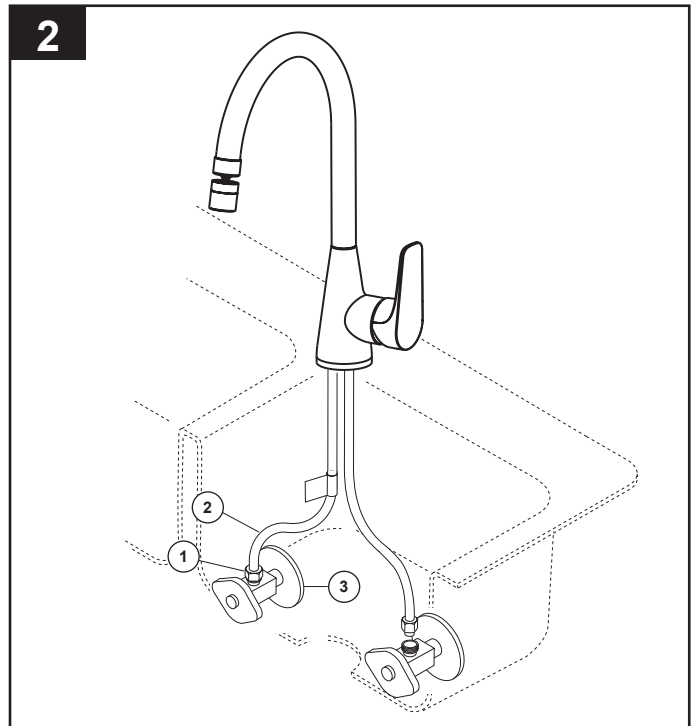
You may need:



113593

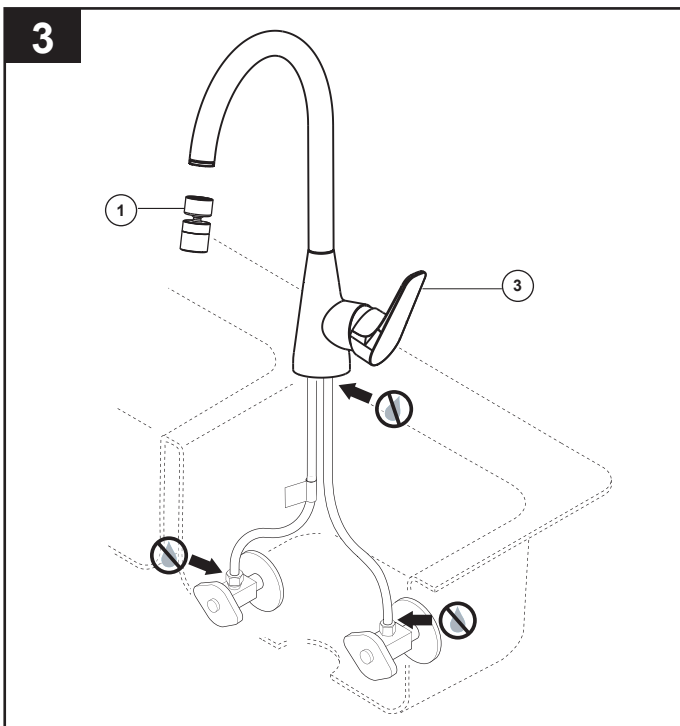


Slide gasket (1) up over tubes and mounting stud. Position faucet (2) and gasket on sink. Option: If sink is uneven, use silicone under the gasket. Place metal bracket (3) over mounting stud (4) under sink. Secure with mounting nut / wrench (5).



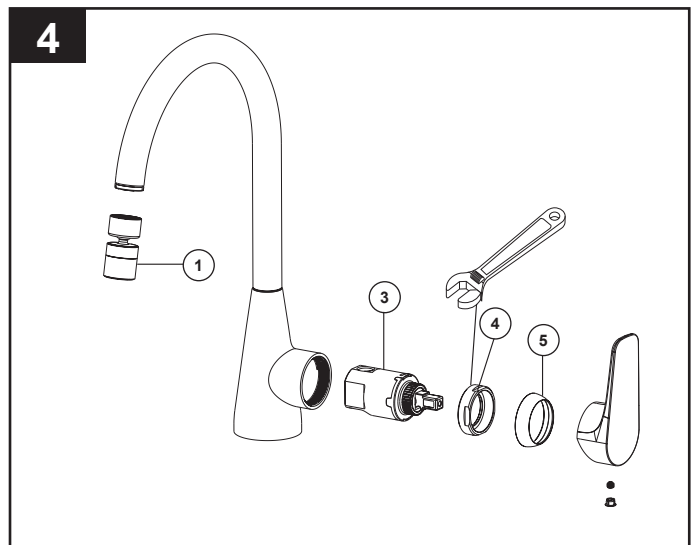
CONNECT TO WATER SUPPLIES.

Make sure all fittings and end connections are free of debris. Faucet connections (1) are 3/8" compression fittings. Secure metal nut on faucet supply hoses (2) to supply valve connection (3) and hand tighten, then tighten one additional revolution with wrench. **DO NOT OVERTIGHTEN.** Repeat for other hose connection making sure the hose with the hot label is connected to the hot supply valve and the other hose is connected to the cold supply valve. **WARNING:** Do not use pipe dope or other sealants on water connections.



FLUSH SYSTEM / CHECK FOR LEAKS

Remove aerator (1) using supplied wrench (2) and turn faucet handle (3) to the full on mixed position. Turn on hot and cold water supplies (4) and flush water lines for one minute. Important: This flushes away any debris that could cause damage to internal parts. Reinstall aerator with wrench. Note: For future use, aerator wrench (2) can be clipped to the supply line after flushing faucet. Check all connections at arrows for leaks. Retighten if necessary, but do not overtighten.



If faucet exhibits very low flow:

A. Remove aerator (1) with hand and clean, or
B. SHUT OFF WATER SUPPLIES. Replace valve cartridge (3). When reinstalling parts, make sure bonnet nut (4) is tightened securely with a wrench.*

If faucet leaks from under handle:

Remove handle and pull off trim cap (5). Using a wrench, ensure bonnet nut (4) is tight.

If leak persists—SHUT OFF WATER SUPPLIES. Replace valve cartridge (3). When reinstalling parts, make sure bonnet nut (4) is tightened securely with a wrench.*

If faucet leaks from spout outlet—SHUT OFF WATER SUPPLIES. Replace valve cartridge (3). When reinstalling parts, make sure bonnet nut (4) is tightened securely with a wrench.*

*** WARNING: Failure to securely tighten bonnet nut with a wrench could result in water damage. Note:** Do not attempt to disassemble cartridge (3). There are no repairable parts inside.

Models
44001-SQ

