



114570



X00114570

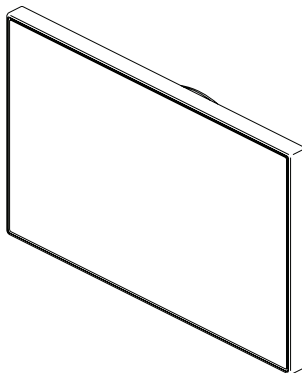
5CN-550L, 5CH-550L & 5CB-550L STEAM BATH DIGITAL INTERFACE INSTRUCTIONS

see what Delta can doSM

Model Number: _____

Serial Number: _____

Date of Purchase: _____



Scan QR code for digital interface user guide.

To reference replacement parts and access additional technical documents and product info, visit www.deltafaucet.com

Read all instructions prior to installation.

⚠ CAUTION

Failure to read these instructions prior to installation may result in personal injury, property damage, or product failure. Manufacturer assumes no responsibility for product failure due to improper installation.



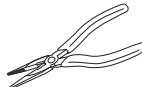
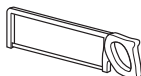
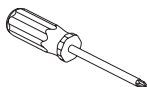
1-800-394-6478
www.deltafaucet.com/service-parts

⚠ WARNING

Elderly persons, pregnant women, or those suffering from heart disease, high blood pressure, diabetes or who are not otherwise in good health, do not use this device unless directed to do so by a physician. Also, do not use steambath while under the influence of alcohol.

Register Online
www.deltafaucet.com/registerme

You May Need



Cleaning and Care

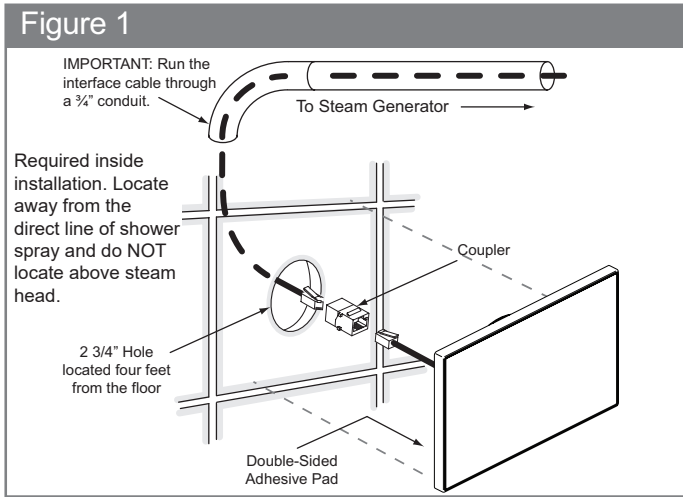
Interface MUST be installed inside the steam room for proper operation of the system. Use a damp cloth and mild soap. Do NOT use abrasive cleaners which might scratch the surface or the base of the interface.

The 5CN-550L, 5CH-550L & 5CB-550L digital interfaces will only function with 5GE SteamScope series generators, and R52000E - R54000E shower valves.

1

Pre-Installation - Interface Location

The 5CN-550L, 5CH-550L & 5CB-550L digital interfaces must be installed inside the steam shower and away from the steam head (opposite wall preferred). For convenience the recommended height from the floor is four feet. Provide a 2 3/4" hole in the wall at this location (see Figure 1).



2

Electrical Rough-in

Locate the multi-conductor cable (supplied with steam generator). Carefully route this interface cable from the shower valve or steam generator to the 5CN-550L, 5CH-550L or 5CB-550L digital interface located inside the steam room (see Figure 1). Route this interface cable through a $\frac{3}{4}$ " conduit to protect the cable from damage and to facilitate replacement if necessary.

3

Interface and Cable Installation

Note: For connection to a digital shower valve refer to the valve installation manual.

1. Connecting the interface to the steam generator.
 - A. Locate the previously installed cable and black plastic strain relief clamp. Locate the knockout on the steam generator for the interface cable (see Figure 2).
 - B. Place strain relief around cable about seven inches from the end and insert into the hole.
 - C. Remove the protective cap from the multi-conductor cable plug. Connect the cable to the modular jack.
 - D. Close and secure the steam generator cover.
2. Locate the modular jack at the female coupler on back of the 5CN-550L, 5CH-550L or 5CB-550L digital interface. Check that the orientation of the plug properly aligns with the jack. A snap will indicate the plug is installed correctly (see Figure 3).

⚠ WARNING

Test the interface for operation before continuing on to the next step.

3. Peel adhesive liner from back of the interface. Apply silicone (supplied) into around the back edge of the interface to form a watertight seal (see Figure 3).
4. Apply the interface to the wall. Press firmly and hold for a few seconds. Wipe the excess silicone from around the interface.

IMPORTANT: The 5CN-550L, 5CH-550L & 5CB-550L digital interfaces have built in temperature sensors and therefore **MUST** be installed inside the steam room.

IMPORTANT: The adhesive on the back of the 5CN-550L, 5CH-550L & 5CB-550L digital interfaces will **NOT** seal this interface. It is the responsibility of the installer to seal this interface to the wall with the supplied silicone. Water damage to the interface is not covered by the warranty.

IMPORTANT: 5CN-550L, 5CH-550L & 5CB-550L digital interfaces cable **MUST** plug directly into the shower valve preferred or the steam generator. Do **NOT** plug this interface into the optional 5SP-MU audio speaker system.

Steam Temperature settings: 60°F min to 125°F max.

Maximum Time setting: 60 Minutes.

Shower temperature settings: 60°F minimum to 120°F Maximum with no timer.

Figure 2 - Cable Installation on Generator

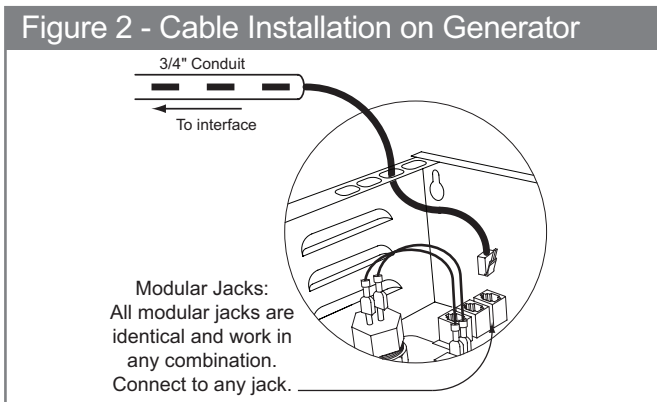


Figure 3

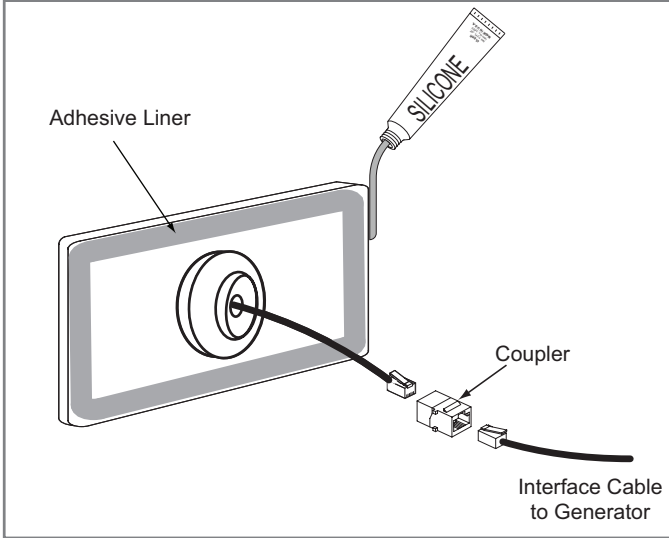


Figure 4 - Installation Directions

