



# Electronic Exposed Battery Water Closet Flush Valve with Mechanical Manual Override **81T201BTA-42-MMO-BL**

## Description

Electronic exposed battery flush valve with MMO (mechanical manual override) for 1.5" (38 mm) top spud water closet fixture with quiet action chloramine-resistant diaphragm and fixed flush volume factory set to 1.1 gpf (4.2 Lpf).

## Specification

- Flush Volume: Fixed, non-adjustable - factory set @ 1.1 gpf (4.2 Lpf)
- Fixture Type: Water closet with 1.5" (38 mm) top spud
- Valve Type: Water Closet Flush Valve
- Operation: H<sub>2</sub>Optics<sup>®</sup> sensing technology

## Features

- Polished chrome-plated vandal resistant metal cover with top mounted sensor operated H<sub>2</sub>Optics<sup>®</sup> electronics
- Right or left-hand supply installation
- True mechanical manual override button
- ADA compliant, automatic operation battery powered infrared sensor
- Scratch resistant replaceable lens window
- Four (4) size AA alkaline batteries factory installed with valve in sleep mode for easy installation
- Hinged battery housing for easy maintenance
- Quiet action, TECK<sup>®</sup> exposed diaphragm flush valve
- Chloramine resistant diaphragm
- Renewable seat
- Polished chrome-plated finish for an attractive and corrosion-resistant appearance
- Maximum 11.5" (292 mm) from centerline of valve inlet to top of water closet
- 1.0" (25 mm) FIP / Copper Sweat inlet adaptor, angle check stop with protecting cap
- Adjustable 4.75" ±0.5" (121 mm ±13 mm) inlet/valve outlet centers
- Vacuum breaker
- Cover tube, stainless steel wall flange, spud flange, spud nut, and 11.5" (292 mm) outlet tube
- Water conserving fixed, non-adjustable flush volume, factory set to 1.1 gpf (4.2 Lpf) for efficient water usage

## Optional Accessories

- **061391A** - Copper Defense conversion kits with CuVerro Shield bactericidal copper alloys for 81T electronic flush valve button (**Available in Canada Only**)
- **061069A** - Hardwire converter & rigid connection assembly for 3rd Generation E-FV
- **060704A** - Transformer 20VA, 120/24Vac (for use with up to 5 units)
- **060771A** - Transformer 40VA, 120/24Vac (for use with up to 10 units)
- **061428A** - Standard left-hand thread tail 1" (25 mm) extension
- **061429A** - Standard left-hand thread tail 2" (51 mm) extension



## Complies With

- ASSE 1037/ASME A112.1037/ CSA B125.37
- ICC / ANSI A117.1
- EPA WaterSense listed



(Contact Delta Representative for State and/or Local Approvals)

## Operation

- Infrared sensor range adjustment to accommodate bowl length of 20 - 28" (508 - 711 mm), factory set at 24" ±2" (610 mm ±51 mm)
- Low battery flashing light (5000 flushes remaining) with battery strength indicator
- Optional 24 hour automatic flush factory set to off
- Set-up sensor range adjustment indicator lights
- 6 VDC input, 6 second arming delay
- Electronic operated non-hold-open metal override button with 5 second lockout
- Recommended water supply:  
Minimum flowing pressure – 25 psi (172 kPa)  
Minimum flow rate – 25 gpm (95 L/min)

**NOTICE** Dimensions are for reference only, measurements may vary ± 0.25" (6 mm).

Maximum flow rates - 60 psi (414 kPa).

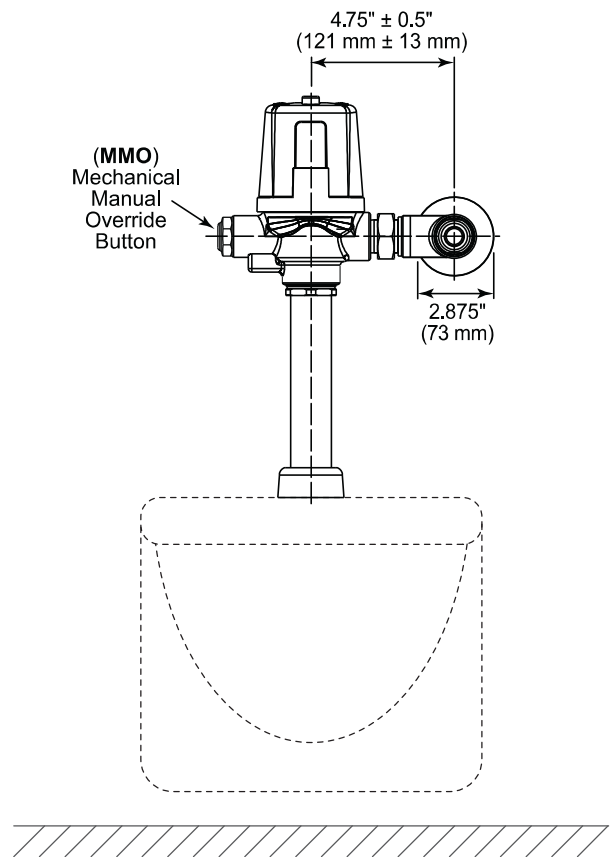
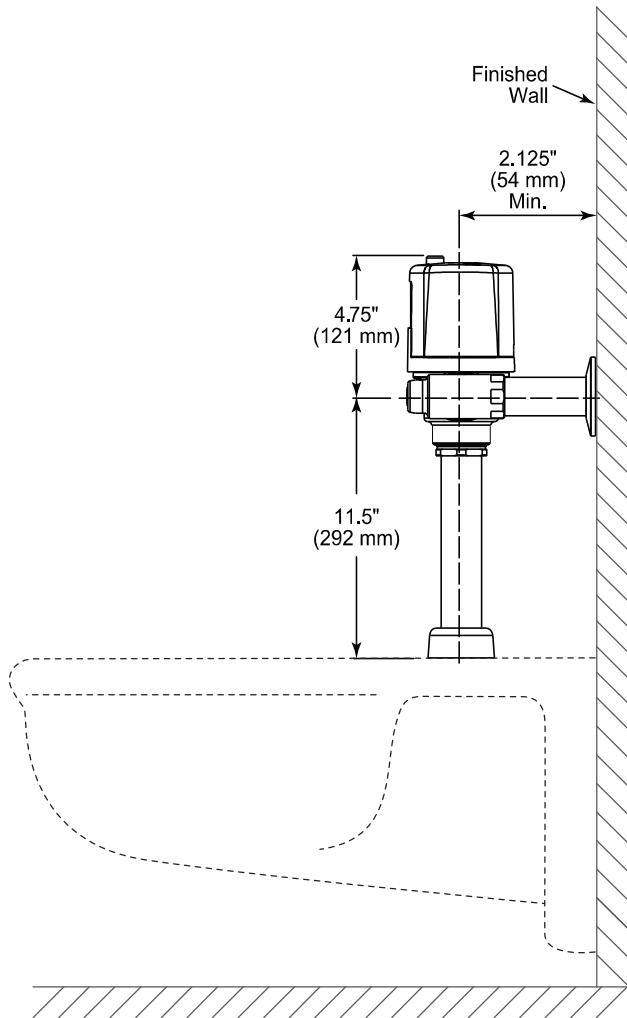
WaterSense<sup>®</sup> is a registered trademark of the U.S. Environmental Protection Agency.

Masco Canada Limited reserves the right (1) to make changes in specifications and materials, and (2) to change or discontinue models, both without notice or obligation. See current full-line price book for finish options and product availability.

© 2025 Masco Canada Limited  
350 South Edgeware Rd, St Thomas, Ontario, Canada N5P 4L1  
1-800-387-8277

**81T201BTA-42-MMO-BL**

This spec was produced on January 22, 2025.



Teck® flush valves are designed to operate at any supply pressure between 20 psi and 125 psi in accordance with ASSE 1037/ASME AI 12.1037/ CSA B125.37. The Teck® flush valve delivers the industry's highest peak flows to enhance bowl scrubbing. At high water pressures, splash out, noise or reduced life of plumbing components may be observed with a few models of water closet or urinal fixtures. To minimize or eliminate these effects, select a different model of water closet or urinal from the same or another manufacturer, or install a pressure reducing valve. If the installation does not allow for either of these options, the control stop adjusting screw may be used to reduce pressure to the valve.

**NOTICE** Dimensions are for reference only, measurements may vary  $\pm 0.25"$  (6 mm).

Maximum flow rates - 60 psi (414 kPa).

**WaterSense®** is a registered trademark of the U.S. Environmental Protection Agency.

Masco Canada Limited reserves the right (1) to make changes in specifications and materials, and (2) to change or discontinue models, both without notice or obligation. See current full-line price book for finish options and product availability.

© 2025 Masco Canada Limited  
350 South Edgeware Rd, St Thomas, Ontario, Canada N5P 4L1  
1-800-387-8277

**81T201BTA-42-MMO-BL**

This spec was produced on January 22, 2025.