

Electronic Exposed TECK® Flush Valve

81T231HWA-MMO-BL
Exposed Hardwire Operated
3/4" (19 mm) Top Inlet Urinal Fixture

- Matte Black vandal resistant metal cover with top mounted sensor operated **H₂Optics®** electronics
- **True mechanical manual override button**
- Right or left-hand supply installation
- ADA compliant, automatic operation hardwire powered infrared sensor
- Scratch resistant replaceable lens window
- Infrared sensor range adjustment of 8"- 24" (203 mm -610 mm), factory set at 16" ±2" (406 mm ±51 mm)
- Hardwire Adaptor 24 VAC to 6.4 VDC converter (supplied)
- Vandal resistant copper tube conduit
- Optional 24 hour automatic flush factory set to off
- Set-up sensor range adjustment indicator lights
- 24 VAC input, 6 second arming delay
- Electronic operated non-hold-open **metal** override button with 5 second lockout
- (110 to 24 VAC Transformer not included. See selection below for additional part number.)
- TECK® exposed diaphragm flush valve
- Chloramine resistant diaphragm
- Forged brass diaphragm retainer
- Renewable seat
- Matte black body
- **External water conserving flush adjustment**, factory set to 1.9 Lpf (0.50 gpf)
- **1" FIP / 3/4" copper sweat inlet adaptor**, angle check stop with protecting cap
- Adjustable 4.75" (121 mm) plus or minus 0.4375" (11 mm) inlet/valve outlet centers
- Vacuum breaker
- Cover tube, stainless steel wall flange, spud flange, spud nut, and 13" (330 mm) outlet tube
- **Recommended water supply:**
 - Minimum flowing pressure – 25 psi (172 kPa)
 - Minimum flow rate – 8 gpm (30 L/min)



81T231HWA-05-MMO
 Same as 81T231HWA-MMO, but set to 0.5 Lpf (0.125 gpf),
Not Field Adjustable

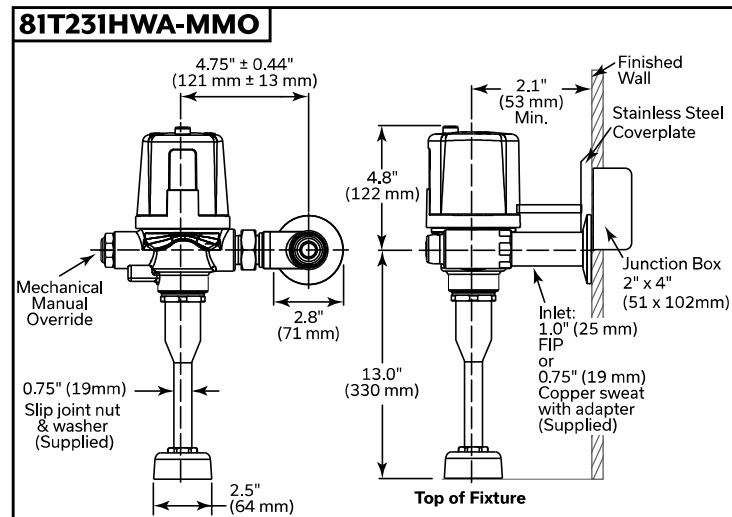
81T231HWA-05-MMO-BL
 Same as 81T231HWA-MMO-BL, but set to 0.5 Lpf (0.125 gpf),
Not Field Adjustable



AVAILABLE OPTIONS FOR FIELD CONVERSION

061047A
Hardwire with Battery Backup
 See DSP-BB for detailed specification.

| <input checked="" type="checkbox"/> | TRANSFORMERS | |
|-------------------------------------|-----------------------------|----------------------------------|
| 060704A | 110 to 24 VAC Class 2 20 VA | (for up to 5 Electronic Valves) |
| 060771A | 110 to 24 VAC Class 2 40 VA | (for up to 10 Electronic Valves) |



APPROVALS:

- Complies to ASSE 1037/ASME A112.1037/ CSA B125.37
- Indicates compliance to ICC / ANSI A117.1
- "-05" model are EPA WaterSense® listed

NOTICE

- Measurements may vary ± 0.25" (6mm)
- For high and low pressure applications, please see page **FEA-81T** - High Water Pressure note for more details.
- Verify flow requirements with bowl manufacturer.

| Engineer/Architect Approval | |
|-----------------------------|-------|
| Model Specified: | |
| Approval: | Date: |

WaterSense® is a registered trademark of the U.S. Environmental Protection Agency

Flow Rates are at 60 PSI.

NOTICE Use all pages as product submittal sheets.

Delta Faucet reserves the right (1) to make changes in specifications and materials, and (2) to change or discontinue models, both without notice or obligation. Dimensions are for reference only. See current full-line price book or www.specselect.com for finish options and product availability.

DSP-81T231HWA-MMO, REV B