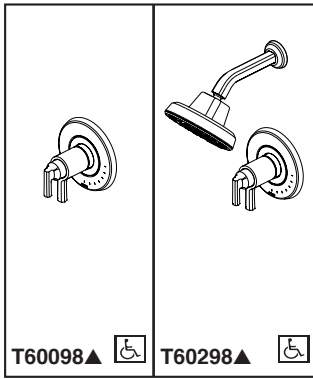


BRIZO®

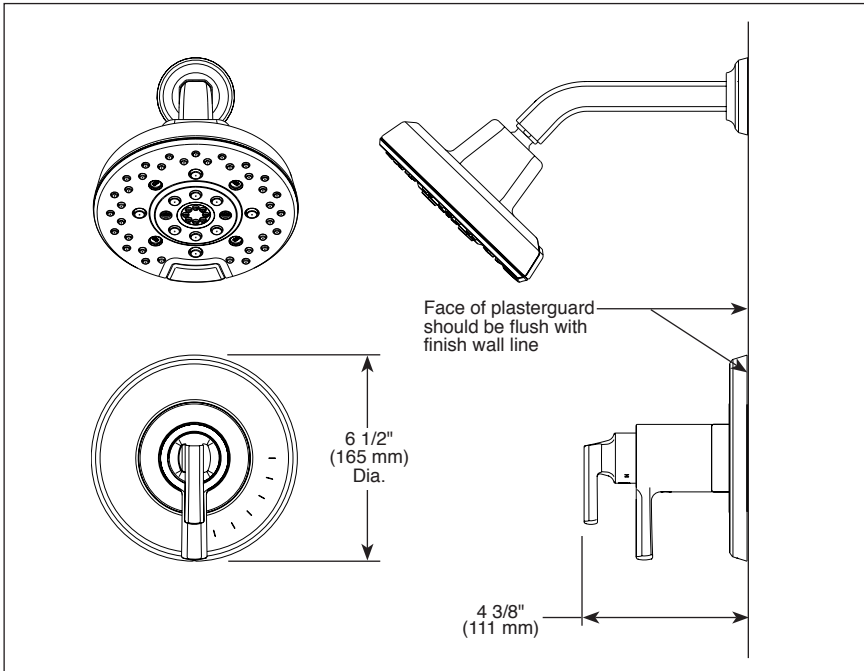
TUB AND SHOWER FAUCET TRIM

- Levoir™ Bath Collection
- TempAssure® Thermostatic
- Valve Only (T60098)
- Shower Only (T60298)



Submitted Model No.: _____

Specific Features: _____



FEATURES:

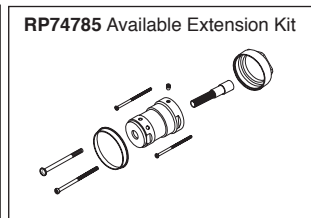
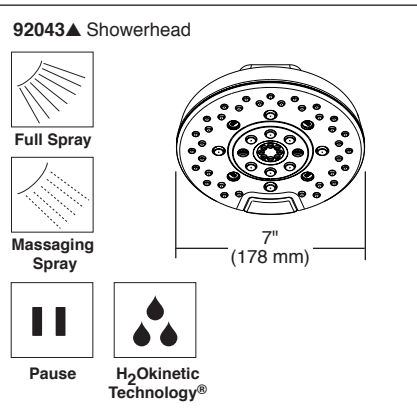
- TempAssure® thermostatic valve cartridge
- Multi-function shower head featuring H₂Okinetic Technology

STANDARD SPECIFICATIONS:

- Multi-function showerhead featuring H₂Okinetic Technology; 1.75 gpm @ 80 psi, 6.6 L/min @ 550 kPa
- Maximum system flow rate 9.4 gpm @ 60 psi with R60000-UNBXHF
- Thermostatic wax element maintains the outlet temperature to ±3.6°F
- Must also order MultiChoice® Universal rough valve body (R60000 Series)
- Back-to-back installation capability
- Bottom (2) handles control on/off and temperature
- Graphics indicate hot/cold temperature adjustment
- Field adjustable to limit handle rotation into hot water zone
- All parts replaceable from the front of the valve
- Adjusts for up to 1" wall thickness. Optional extension kit (RP74785) extends rough installation up to 1 3/4"
- Tool for shower head to shower arm assembly provided

WARRANTY

- Parts and Finish - Lifetime limited warranty; or for commercial purchasers, 10 years for multi-family residential (apartments and condominiums) and 5 years for all other commercial uses, in each case from the date of purchase.
- Electronic Parts and Batteries (if applicable) - 5 years from the date of purchase; or for commercial purchasers, 1 year from the date of purchase. No warranty is provided on batteries.



▲ Designate proper finish suffix



COMPLIES WITH:

- ASME A112.18.1 / CSA B125.1
- Indicates compliance to ICC/ANSI A117.1 - Valve control only
- EPA WaterSense® - Applies to T60298 and 92043 only