



see what Delta can do™

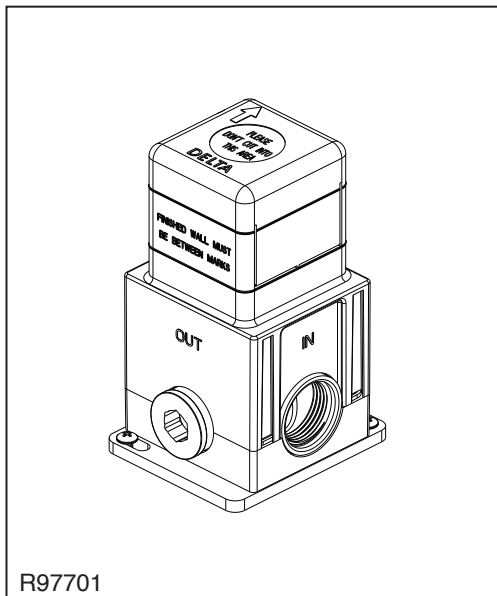
ROUGH-IN PUSH BUTTON ON/OFF ■ MagnaChoice™ Collection

STANDARD SPECIFICATIONS:

- Push Button On/Off
- Solid metal construction with casted brass body
- 100% leak tested
- Flexible to install horizontal or vertical.
- G 3/4 thread connection for inlet and G 1/2 connection for outlet
- Flexibility to connect the outlet from top or bottom
- Must also order Trim T77701 or T87701

COMPLIES WITH:

- The mechanical performance of On/off valve meets ASME A112.18.1/CSA B125.1



R97701

Submitted Model No.: _____

Specific Features: _____

