

see what Delta can do™

TUB AND SHOWER FAUCET

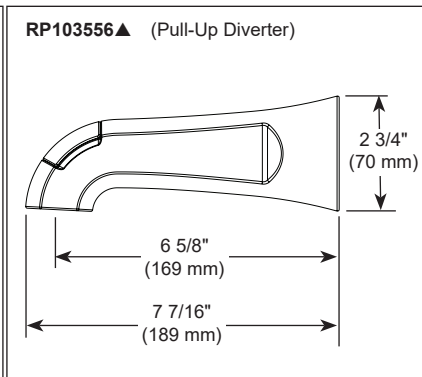
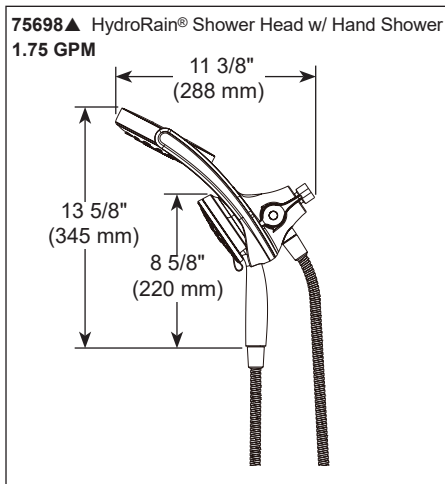
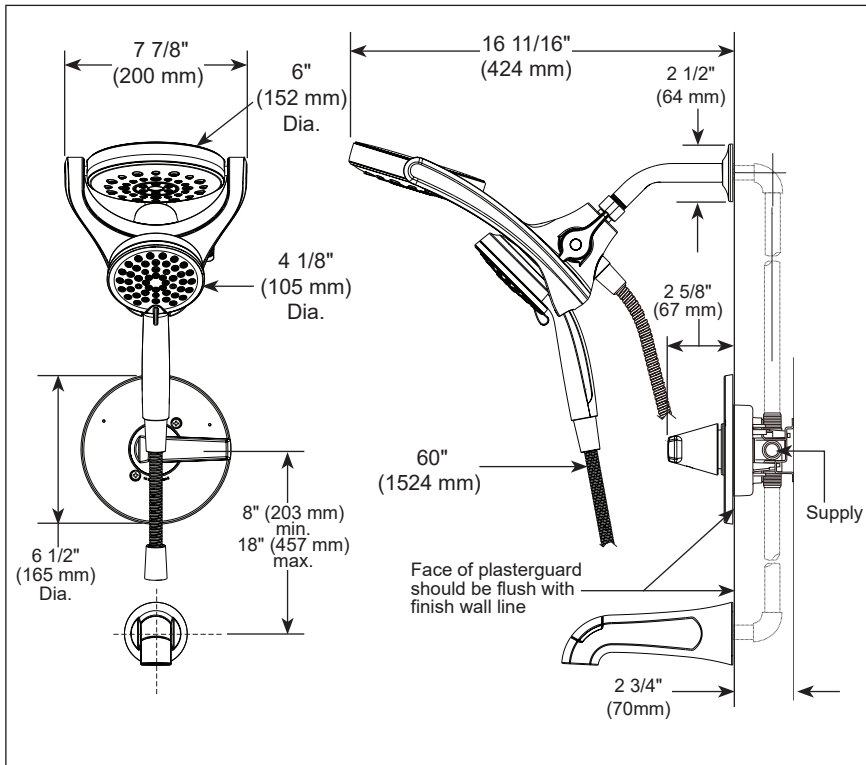
- Sparrow™ Bath Collection
- 2-In-1 Shower
- 4-Spray Setting Hand Shower

FEATURES:

- Monitor® 14 Series pressure balanced single handle bath mixing valve trim
- Multi-function hand shower and single function raincan
- Touch-Clean® Spray Holes
- MagnaTite® Docking
- HydroRain® Two-In-One Shower Head with Hand Shower

STANDARD SPECIFICATIONS:

- Maintains a balanced pressure of hot and cold water even when a valve is turned on or off elsewhere in the system
- For use with MultiChoice® Universal rough valve body (R10000 Series)
- Back-to-back installation capability
- Solid brass forged body
- Temperature only controlled with handle
- Field adjustable means to limit handle rotation into hot water zone
- 120° maximum handle rotation
- Shower max flow rate 1.75 gpm @ 80 psi, 6.6 L/min @ 550 kPa
- Tub port max flow rate 6.0 gpm @ 60 psi with R10000-UNBX
- Shower arm overall horizontal length = 5 1/2" (138 mm), including threaded ends
- Hot & Cold temperature indicators on escutcheon
- All parts replaceable from the front of the valve
- Pull-up tub spout: Threaded 1/2" NPT iron pipe, 1/2" CWT copper, sweat and slip-on applications
- 3-Way diverter allows for single or shared operation of raincan and hand shower
- Hand shower dial changes spray modes including a pause feature - a non-positive shut-off
- 4 Spray settings include: Full Body Spray, Massaging Spray, Shampoo Rinsing Spray, and Pause
- 60" (1524 mm) metal hose (CZ and SP finishes only)
- 60" (1524 mm) UltraFlex® hose (PC, BL, and GZ finishes only)



▲ Designate Proper Finish Suffix

WARRANTY

- Parts and Finish - Lifetime limited warranty; or for commercial purchasers, 10 years for multi-family residential (apartments and condominiums) and 5 years for all other commercial uses, in each case from the date the product is received by the original purchaser or their authorized representative (installation contractor, etc.).
- Please go to www.deltafaucet.com for the complete details of our limited warranty.



COMPLIES WITH:

- ASME A112.18.1 / CSA B125.1
- ASSE 1016 / ASME A112.1016 / CSA B125.16
- EPA WaterSense®
- ICC/ANSI A117.1 - Valve control only

Delta Faucet Company
 55 E. 111th Street, Carmel, Indiana 46280
 350 South Edgeware Road, St. Thomas, ON N5P 4L1
 © 2025 Delta Faucet Company

Delta Faucet Company reserves the right (1) to make changes in specifications and materials, and (2) to change or discontinue models, both without notice or obligation. Dimensions are for reference only. See current full-line price book or www.deltafaucet.com for finish options and product availability.