



see what Delta can do™

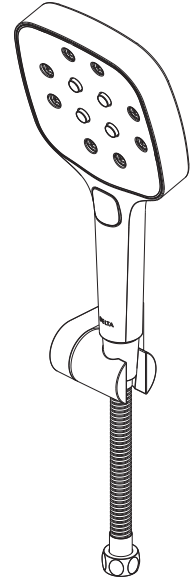
115919

5" Multifunction Handshower w Hose

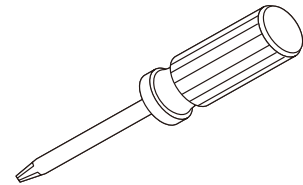
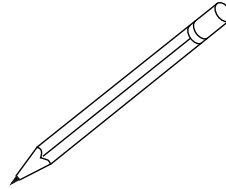
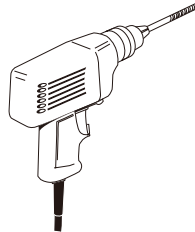
Model
S777▲

▲ Specify Finish

Write purchased model number here.



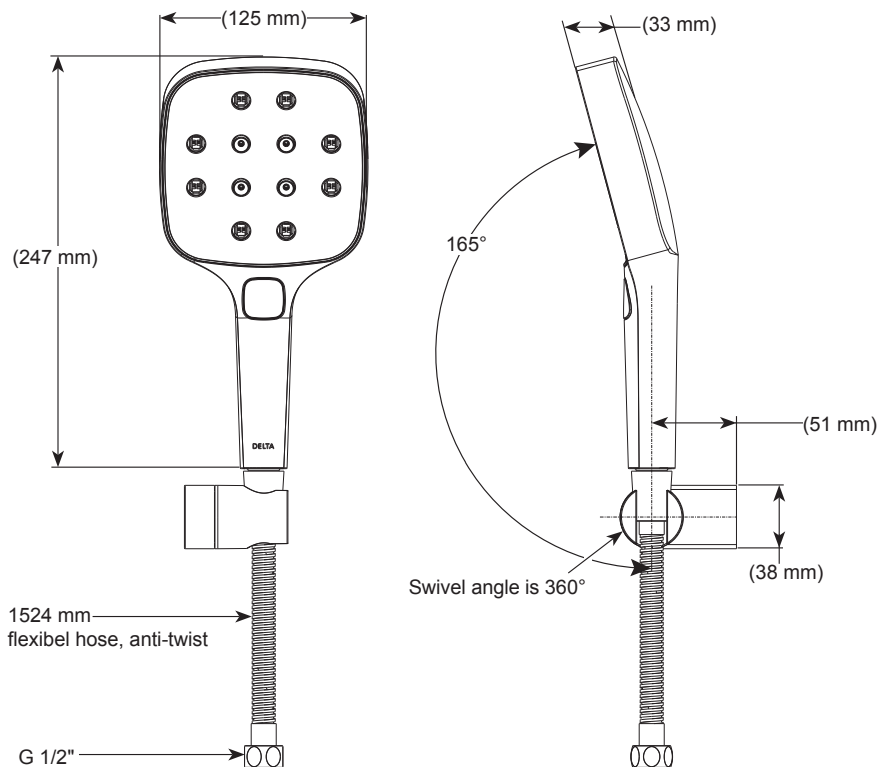
You may need:

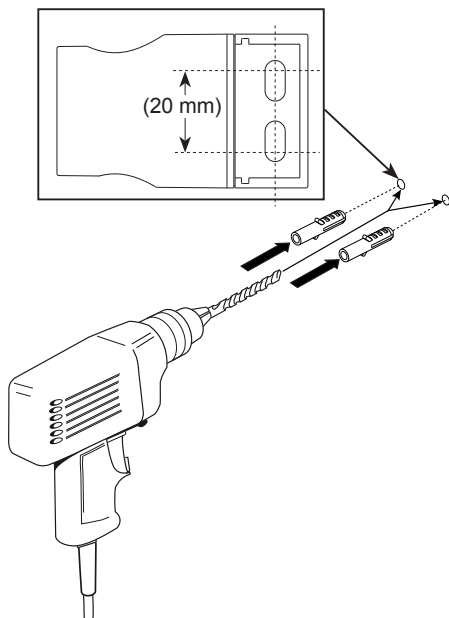


S777▲
Overall size

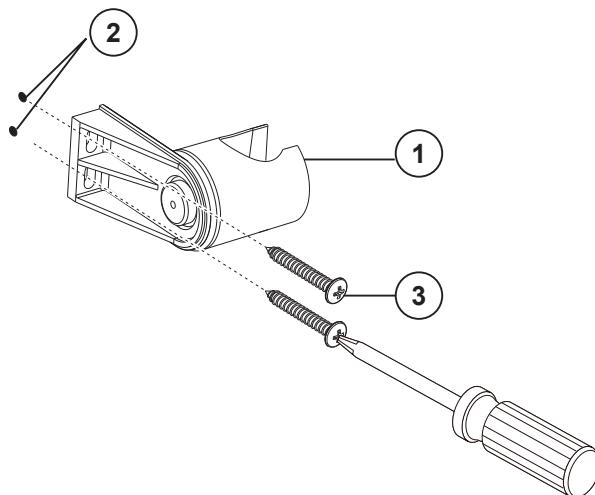
2-Functions

- H2Okinetic Spray
- Mist Spray

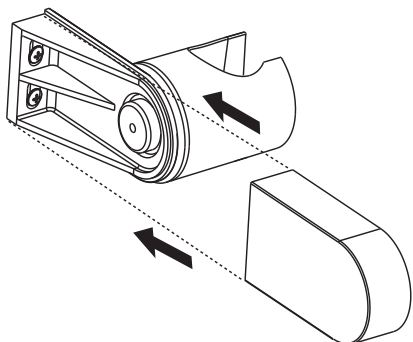


1A

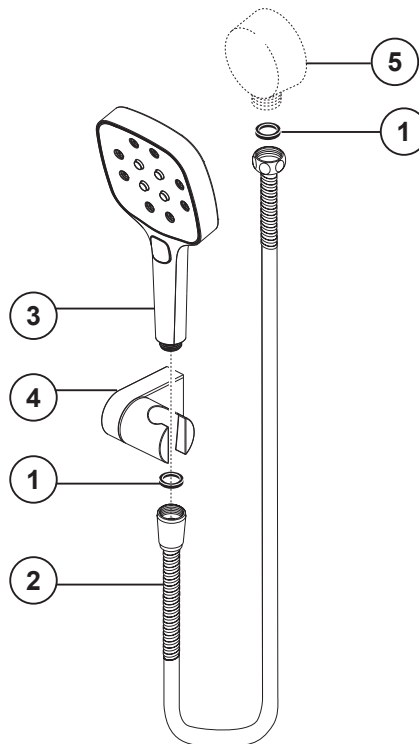
1. Mark the location to drill hole onto the mounting surface.
2. Drill 6 mm hole at each marked location.

1B

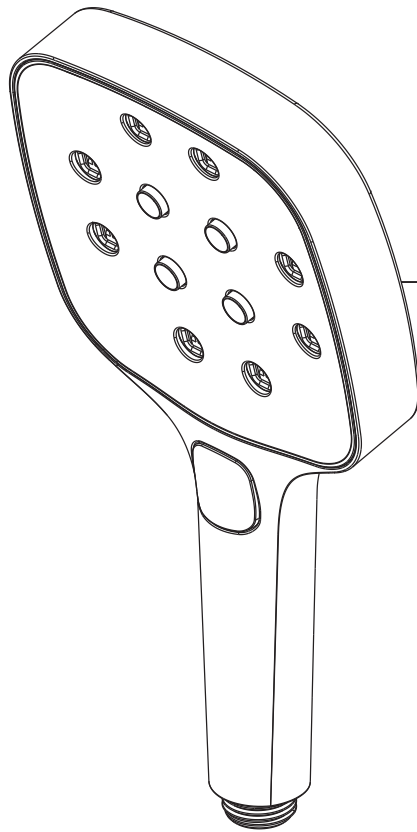
1. Hold and align the mounting bracket as shown in the image.
2. Place mounting bracket (1) over the installed anchors (2) and attach with screws (3).

1C

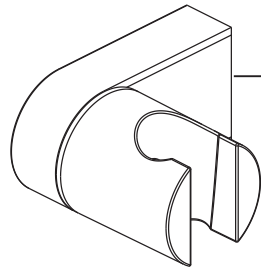
Place handshower holder onto mounting bracket (make sure it properly snapped over the bracket).

1D

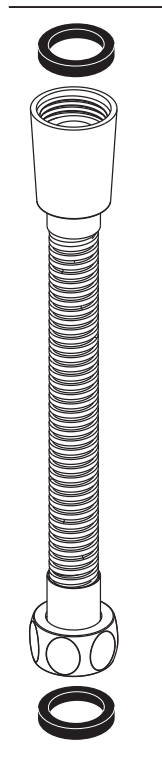
1. Ensure gaskets (1) are inserted in both ends of the hose (2).
2. Connect the tapered end of the hose to the handshower. Hand Tighten – do not use a wrench or pliers.
3. Insert the hand shower (3) into the hand shower mount (4).
4. Connect the hexagonal end of hose to the supply elbow (5). **Note:** Supply elbow is not included with the product and sold separately.



RP777001▲
Hand shower



RP777002▲
Hand shower Holder



IAO91001
For PC finish
Flexible hose

U495D-▲60-PK
For PN / CZ / BL finish
Flexible hose

