



see what Delta can do™

115227

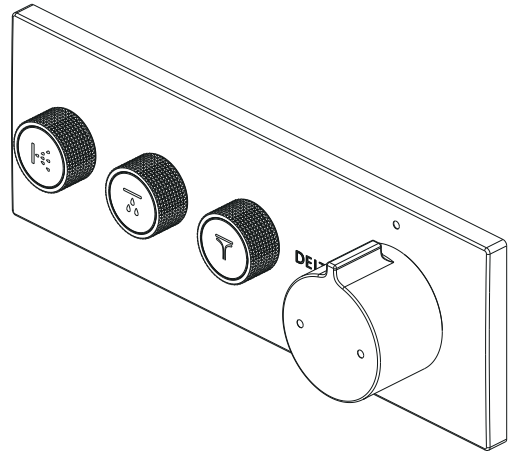
Push-Button Diverter Trim

Models

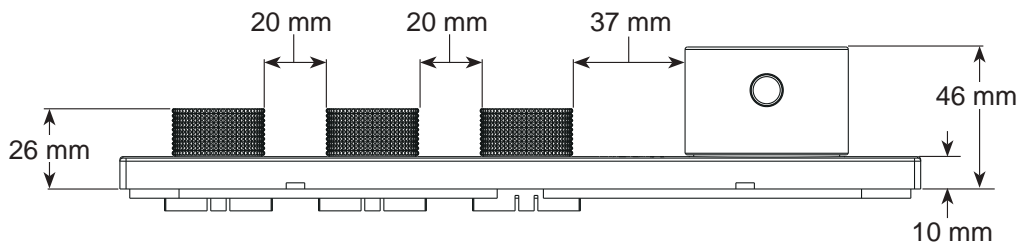
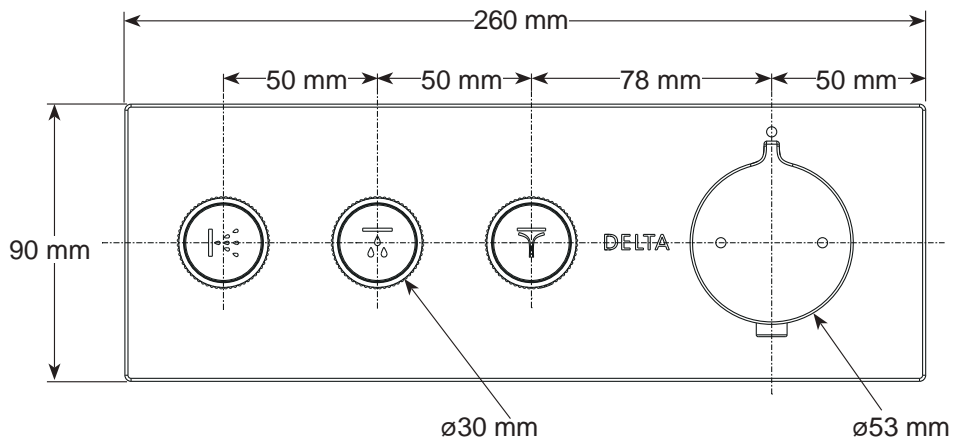
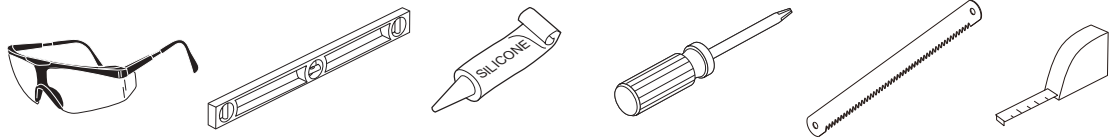
T67703▲

▲ Specify Finish

Write purchased model number here.

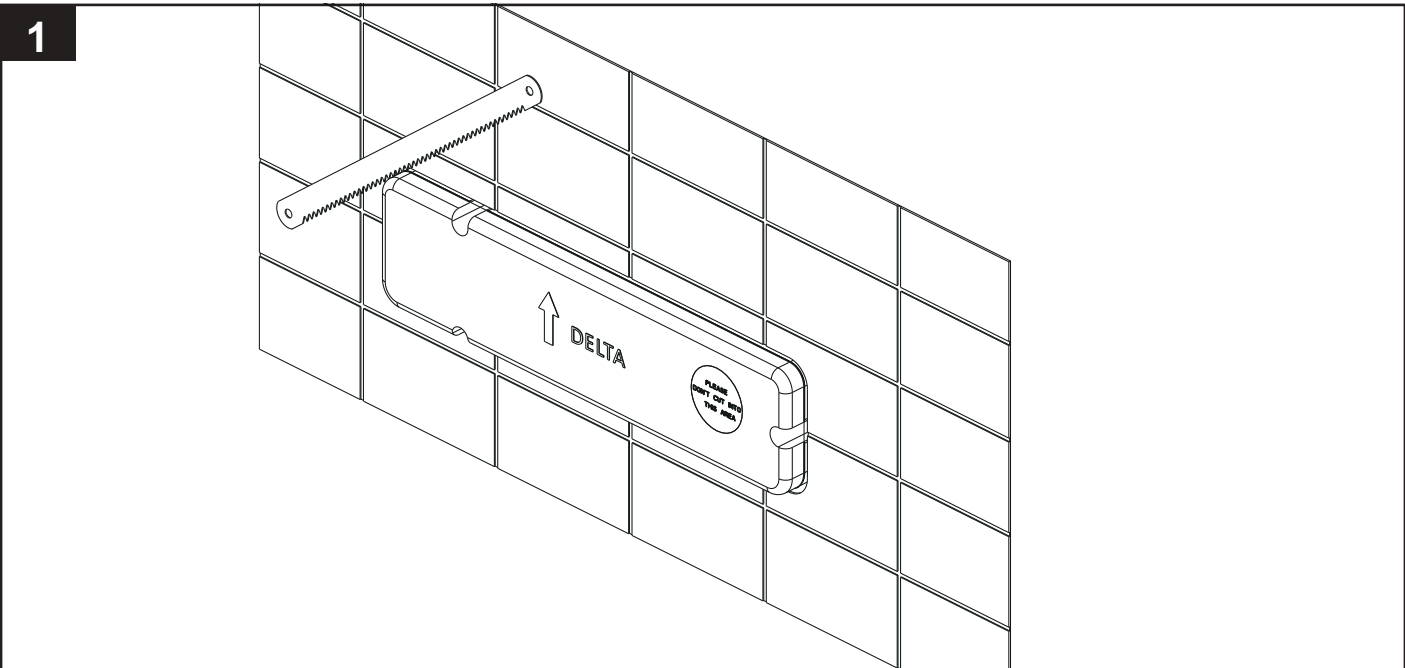
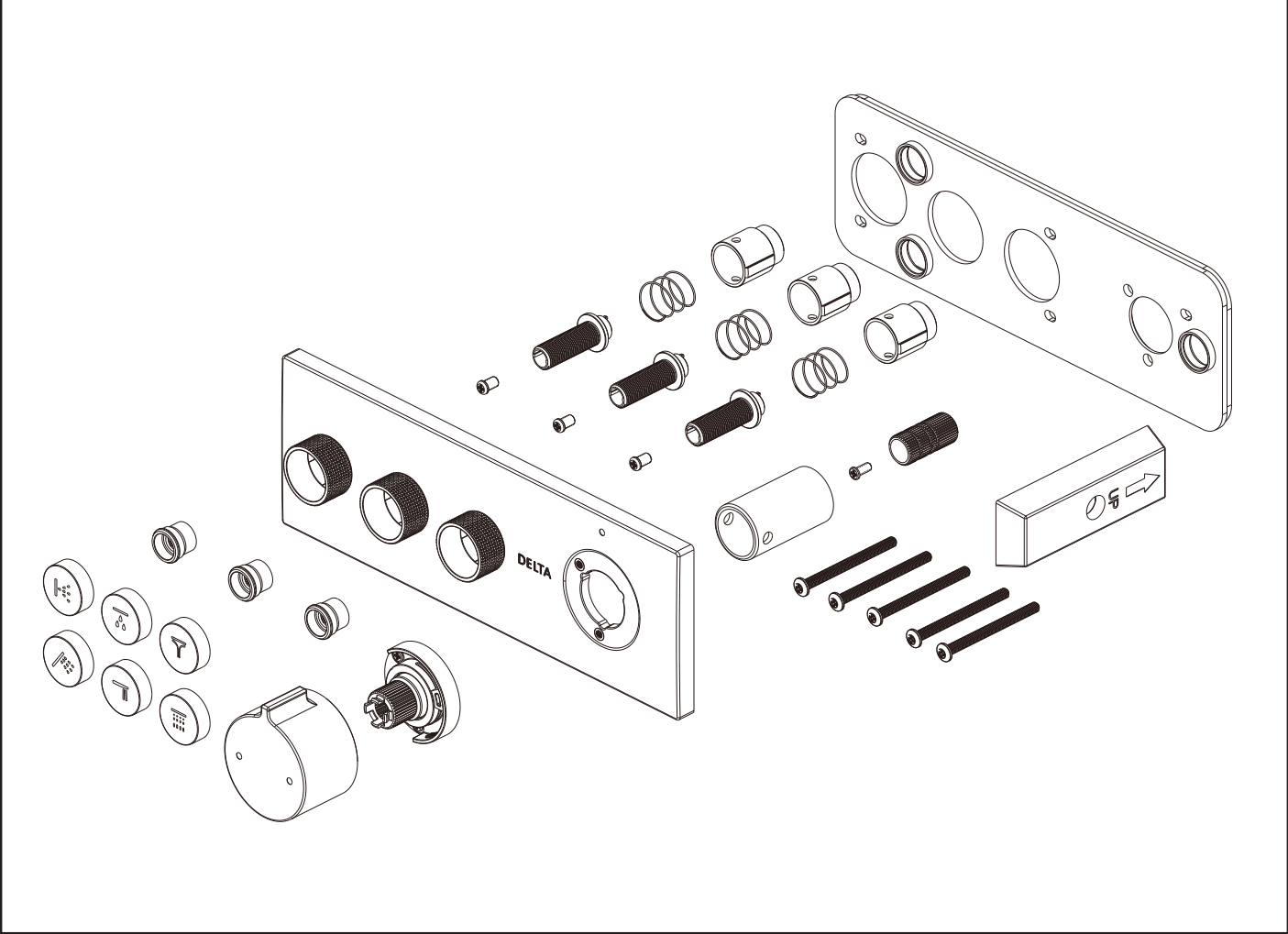


You may need:



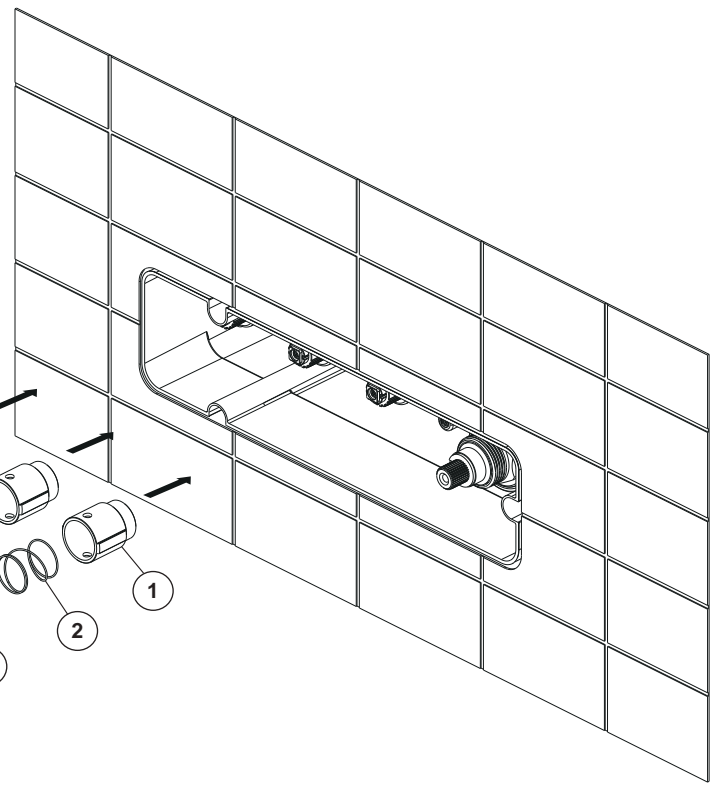
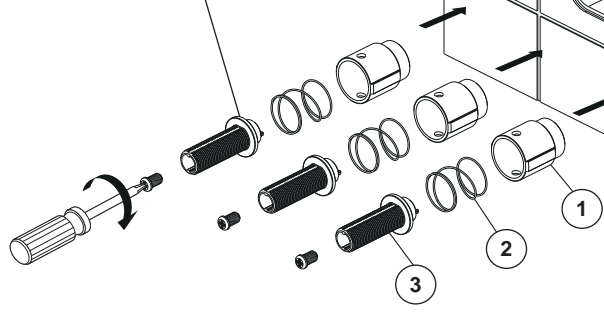
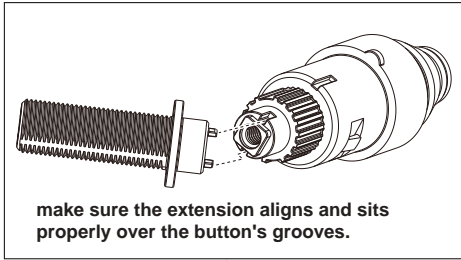
115227

Parts and Hardware included:



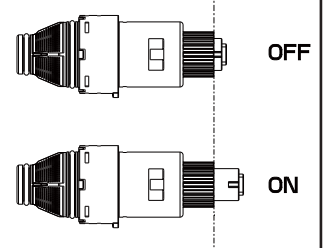
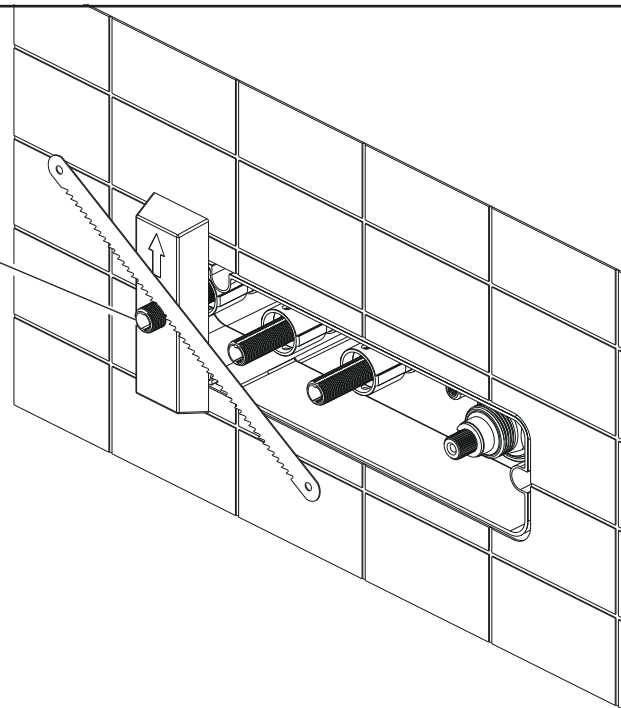
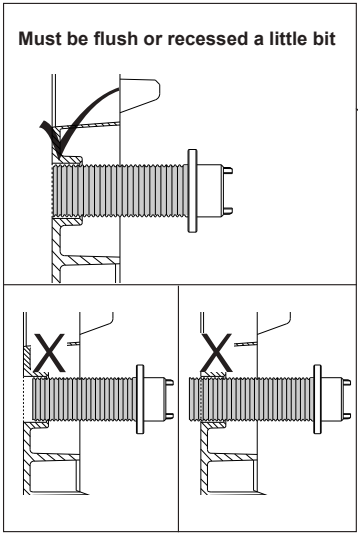
Use the saw blade to cut the rest of the protectives.

2

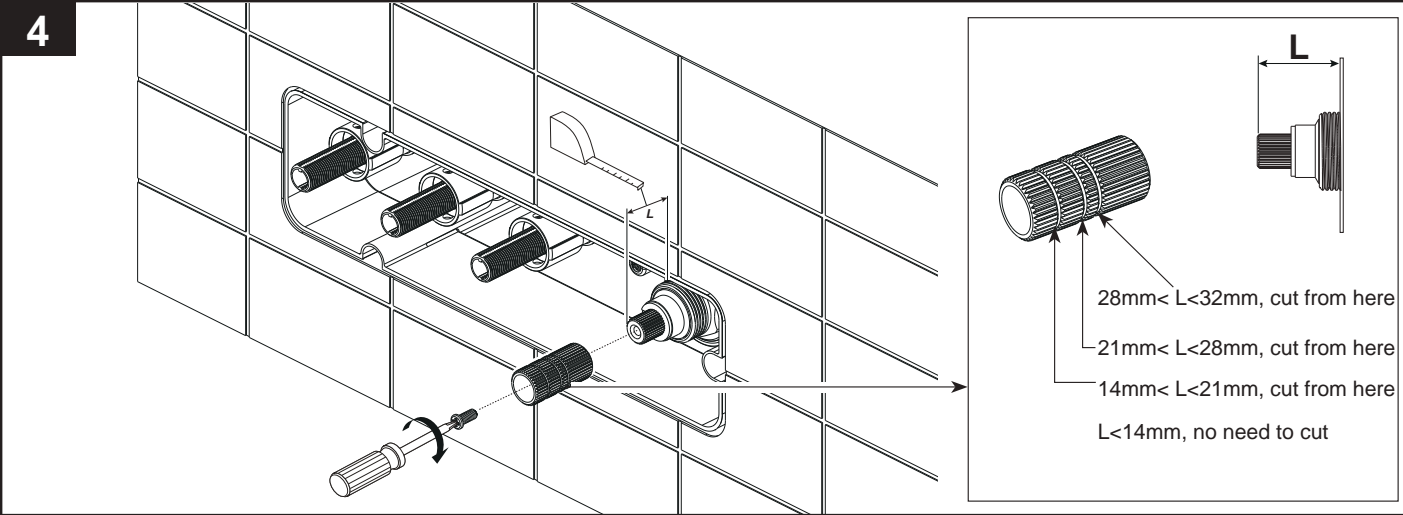


Install adaptors (1), springs (2) and extensions (3) over the push buttons one by one, make sure the extension aligns and sits properly over the button's grooves, then tighten screws.

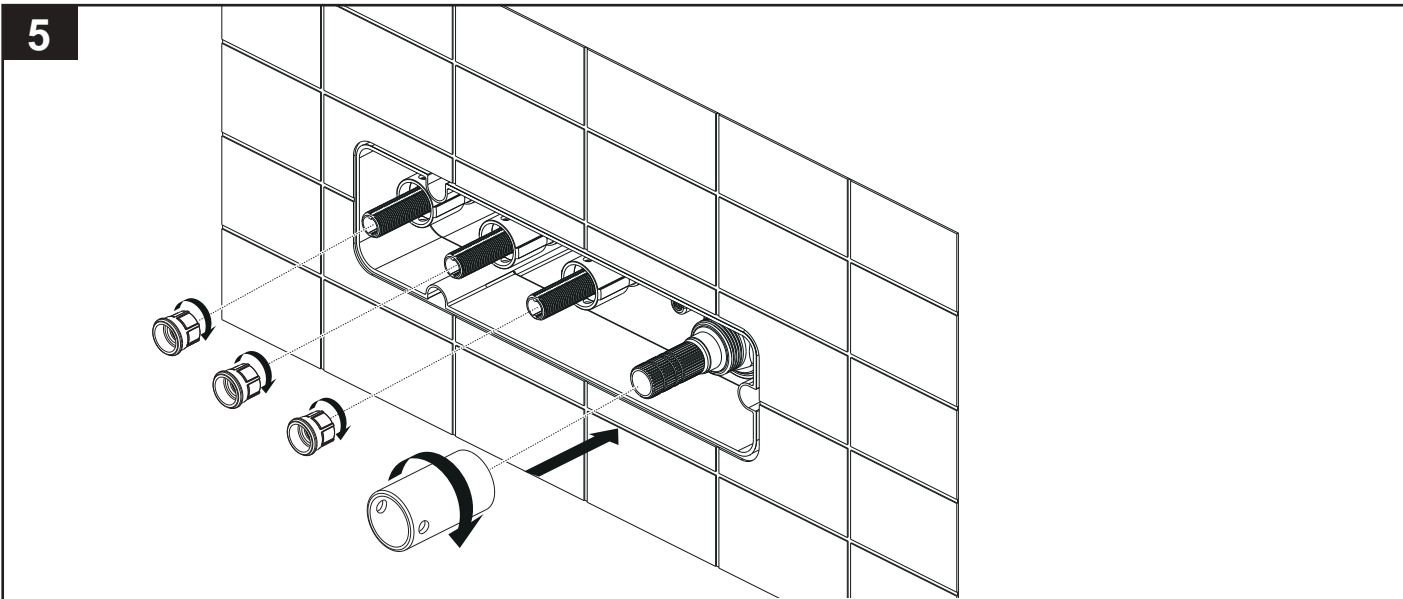
3



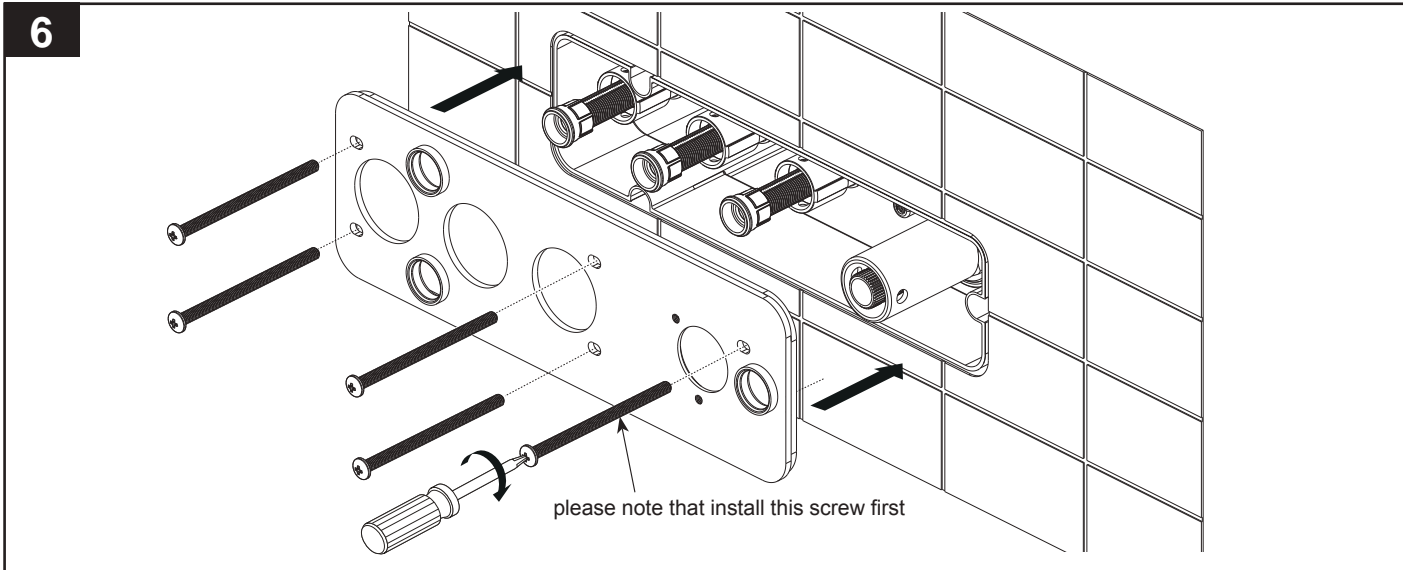
Use the wrench to cut the rest of the extensions, Note: please make sure the valve is in the close position before cutting.



Install the extension for thermo valve and cut the rest of extension.

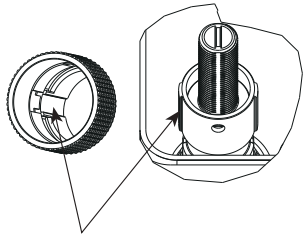


Install nuts for push button valves and sleeve for thermostatic valve.

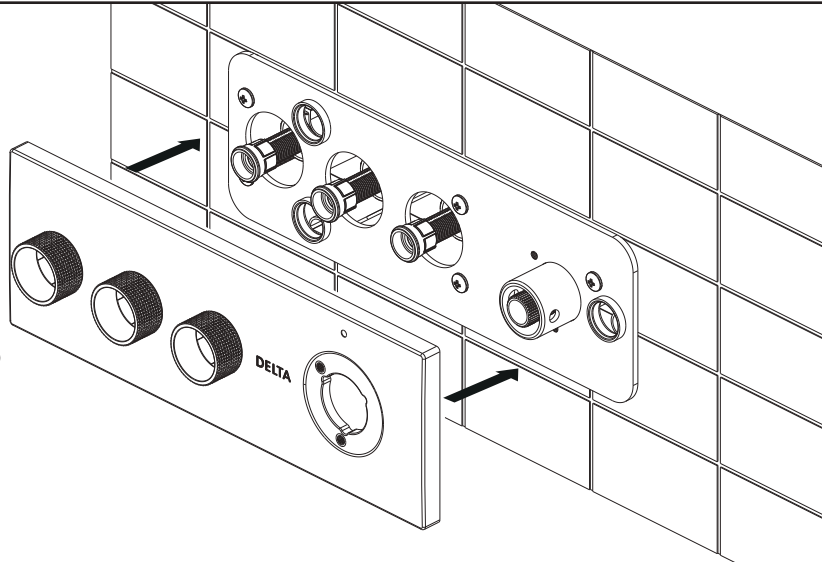


Install the bracket.

7

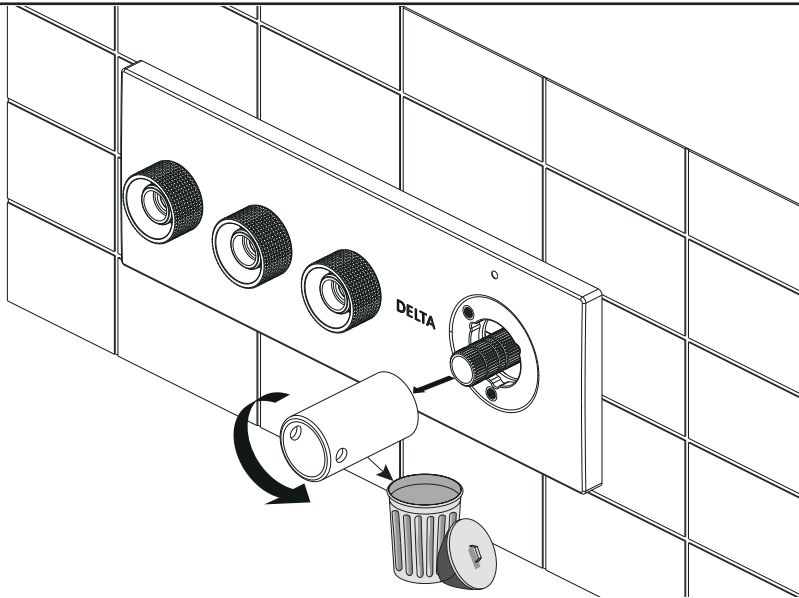


Please let the slot aligns with rip



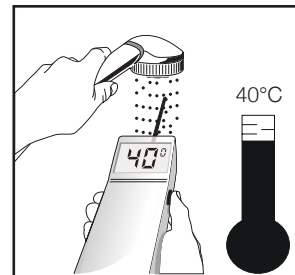
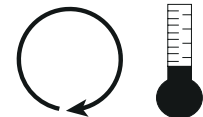
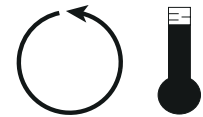
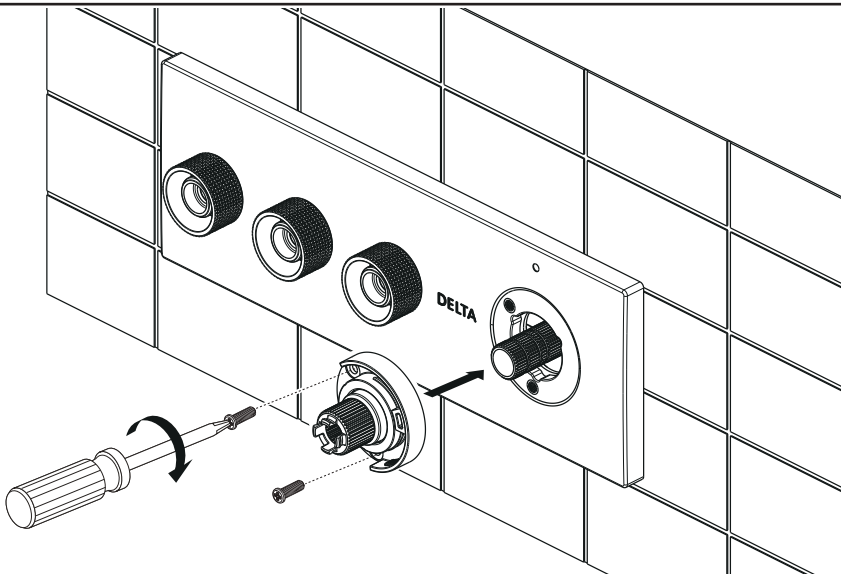
Align cover plate slots with buttons groove. Install the cover plate.

8



Remove the sleeve and discard.

9



Install the thermo valve handle base kit.
Rotate the thermo valve left and right to adjust the water temperature, for example: measure 40°C .

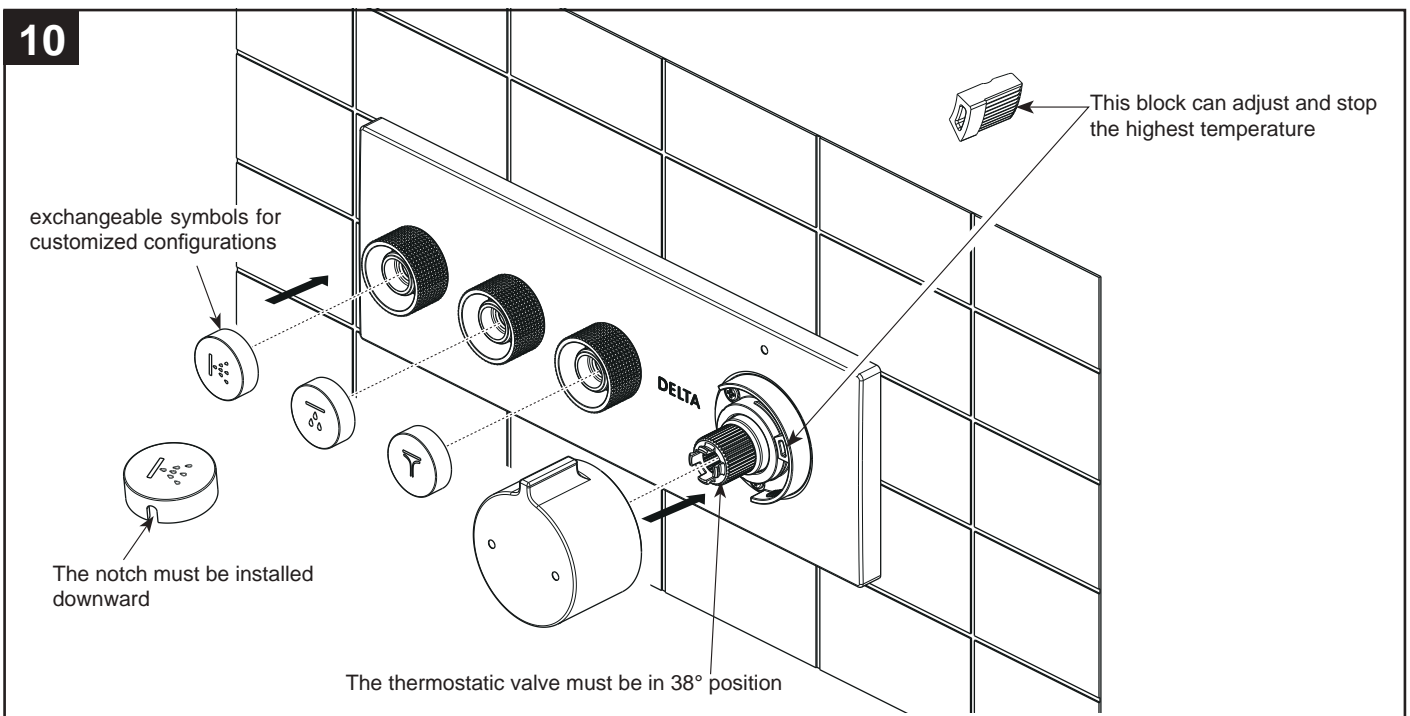
10

exchangeable symbols for customized configurations

The notch must be installed downward

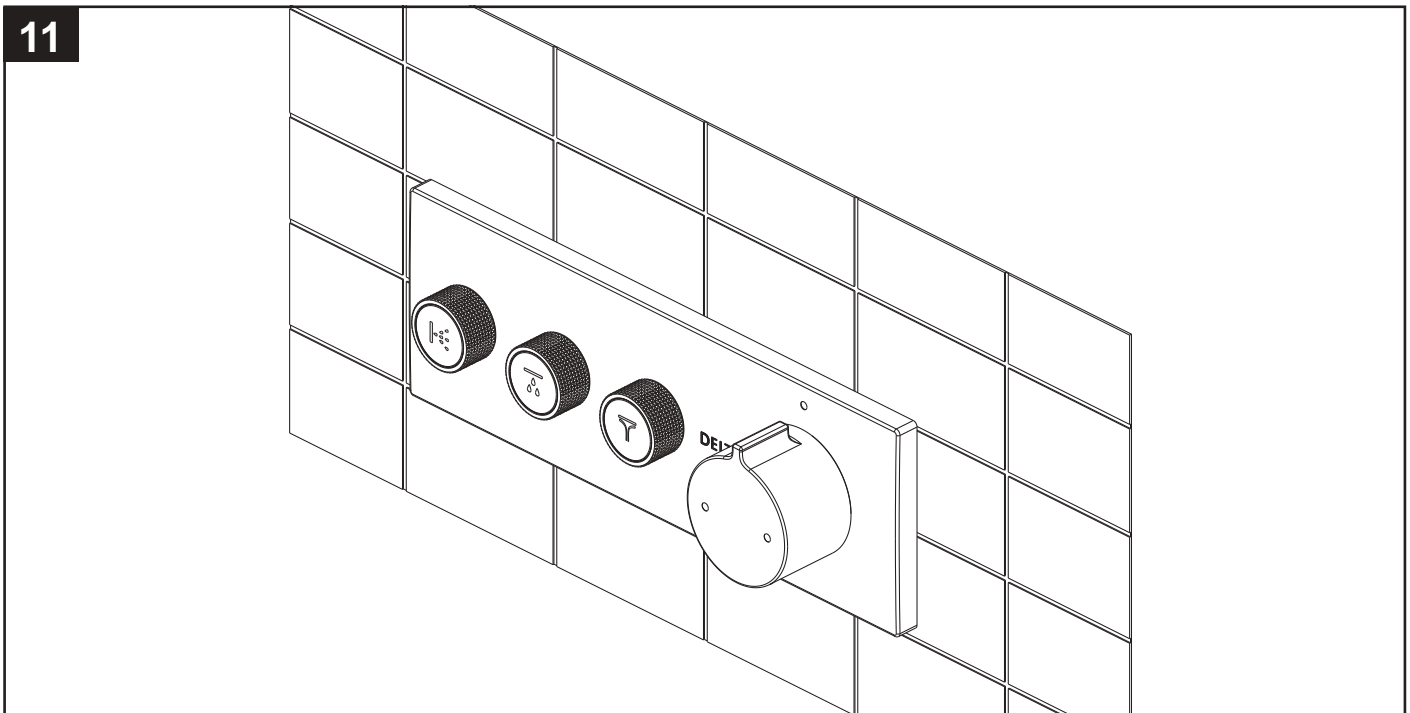
The thermostatic valve must be in 38° position

This block can adjust and stop the highest temperature



Install the buttons and handles. Note: The notch of buttons must be installed downward.

11



COMPLETE TRIM VALVE FINISH.

Model
T67703▲

▲ Specify Finish

