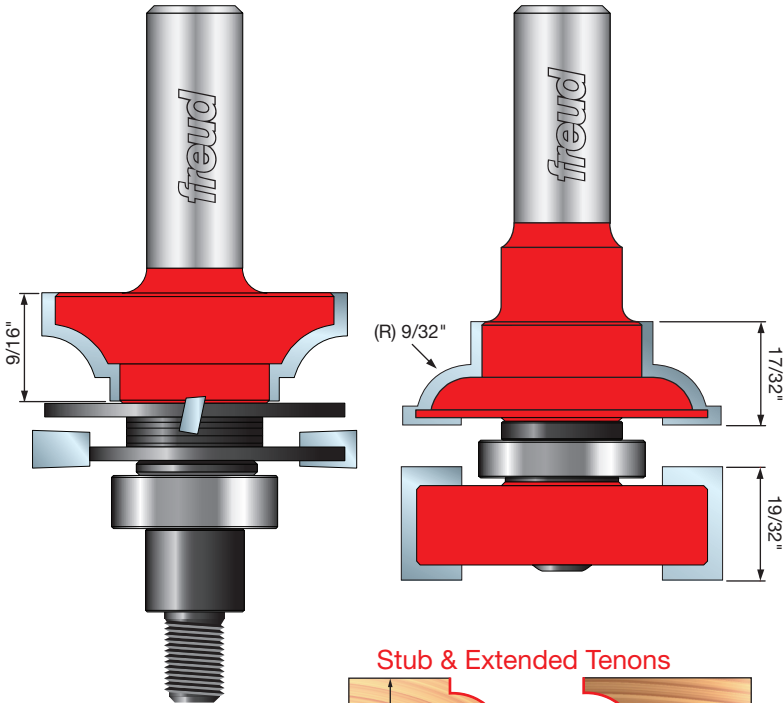
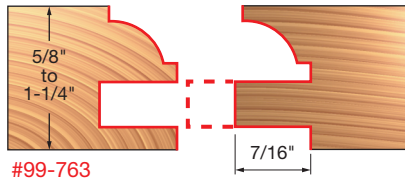


# Round Over Bead

#99-763

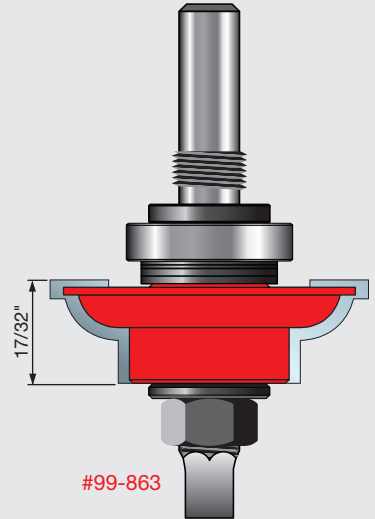


## Stub & Extended Tenons



#99-763

## Add-on this Optional Cutter for Creating Double Sided Profiles

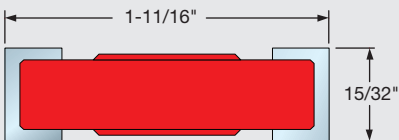


#99-863

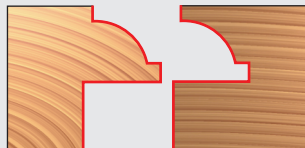


#99-863

## Add-on this Optional Cutter for Creating Glass/Screen Panel Doors



#54-760



#99-763 + #54-760



#99-763 + #99-863