

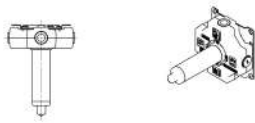
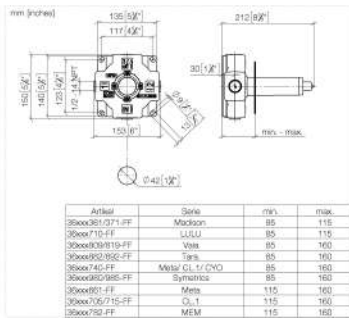
35 202 970 Product version from 4/1/2022



- brass, lead free
- 1x 1/2" male thread connection
- 2x outlet 1/2"
- Shaft and sleeve can be cut to length
- Mud guard
- Water protection
- Sound insulation

NOTE: Important for certain series! Due to minimum rough-in requirements, a framing of 2x6 studs may be needed.

35 202 970 Product version from 4/1/2022

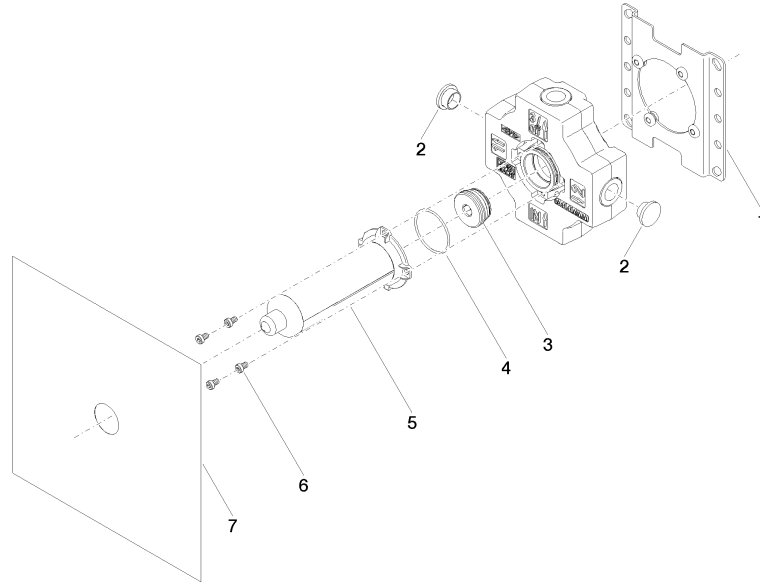


Codes & Standards

ASME A112.18.1 cUPC

Certificates and sustainability

IAPMO_4976 (



Spare parts list

Number	Item Number	Designation	Number of units	Lead time
3	90 31 20 131 00 90	plug	1.00	2
7	04 14 03 116 00 90	gasket kit	1.00	2
2	09 31 20 092 90	plug	4.00	2
6	09 30 30 112 90	screw	4.00	2
4	09 14 10 210 90	seal	1.00	2
5	04 21 02 180 10 90	cap	1.00	2
1	04 17 20 252 00 90	base	1.00	60