

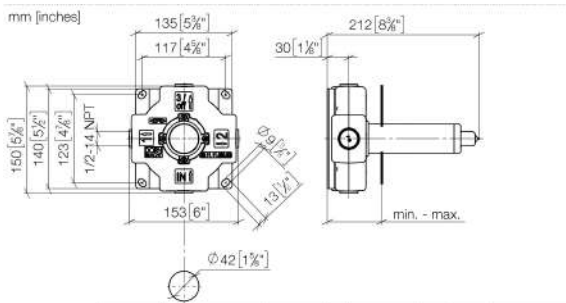
35 203 970 Product version from 4/1/2022



- brass, lead free
- 1x female thread 1/2" connections
- 3x outlet 1/2"
- Shaft and sleeve can be cut to length
- Mud guard
- Water protection
- Sound insulation

NOTE: Important for certain series! Due to minimum rough-in requirements, a framing of 2x6 studs may be needed.

35 203 970 Product version from 4/1/2022



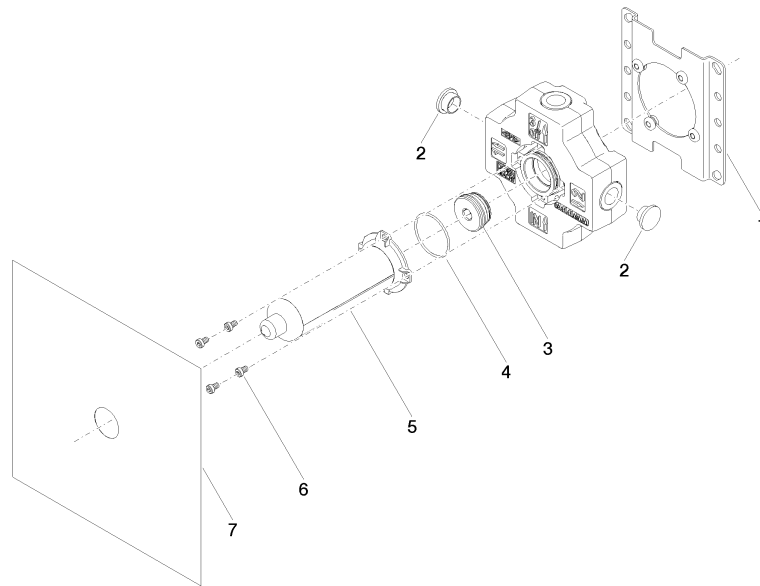
Artikel	Serie	min.	max.
36xxx361/371-FF	Madison	85	155
36xxx710-FF	LULLU	85	155
36xxx809/819-FF	Vaia	85	160
36xxx882/892-FF	Tara	85	160
36xxx740-FF	Meta/ CL.1/ CYO	85	160
36xxx980/985-FF	Symetrics	85	160
36xxx661-FF	Meta	115	160
36xxx705/715-FF	CL.1	115	160
36xxx782-FF	MEM	115	160
36xxx831/832-FF	Yamou & Yarree	115	160

Codes & Standards

ASME A112.18.1      cUPC

Certificates and sustainability

IAPMO\_4976 (



### Spare parts list

Number	Item Number	Designation	Number of units	Lead time
4	09 14 10 210 90	seal	1.00	2
1	04 17 20 252 00 90	base	1.00	60
7	04 14 03 116 00 90	gasket kit	1.00	2
5	04 21 02 180 10 90	cap	1.00	2
6	09 30 30 112 90	screw	4.00	2
2	09 31 20 092 90	plug	2.00	2
3	90 31 20 131 00 90	plug	1.00	2