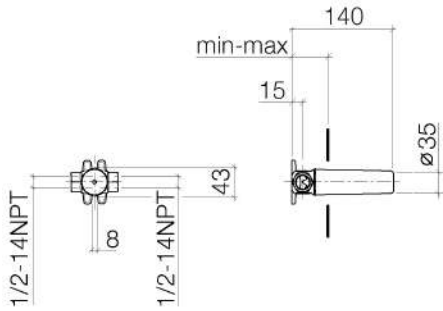


35 621 970

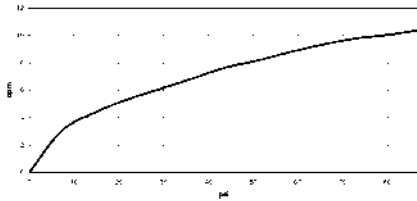


- brass, lead free
- female thread 1/2" connection
- Ceramic disc cartridge
- Mud guard
- Water protection

35 621 970



Flow rate chart



Codes & Standards

ASME A112.18.1

cUPC

NSF372



Rough for volume control clockwise-closing 1/2" -

SERIES-VARIOUS

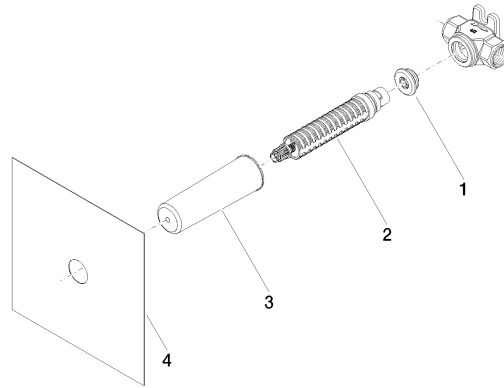
35 621 970

Certificates and sustainability

IAPMO_6397

IAPMO_4976 (

35 621 970



Spare parts list

Number	Item Number	Designation	Number of units	Lead time
3	09 21 02 102 90	cap	1.00	2
1	04 31 20 006 00 90	plug	1.00	2
2	90 90 03 143 00 90	top	1.00	2
4	04 14 03 072 01 90	gasket kit	1.00	2