

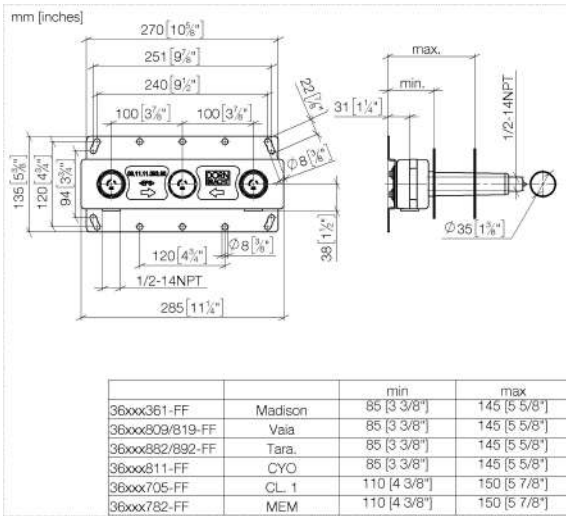
35 700 970 Product version from 4/1/2022



- 3x Mud guard
- 2x female thread 1/2" connections
- 1x outlet 1/2"
- 3x plug 1/2"
- Center to center 3-7/8"
- lead-free

NOTE: Important for certain series! Due to minimum rough-in requirements, a framing of 2x6 studs may be needed.

35 700 970 Product version from 4/1/2022

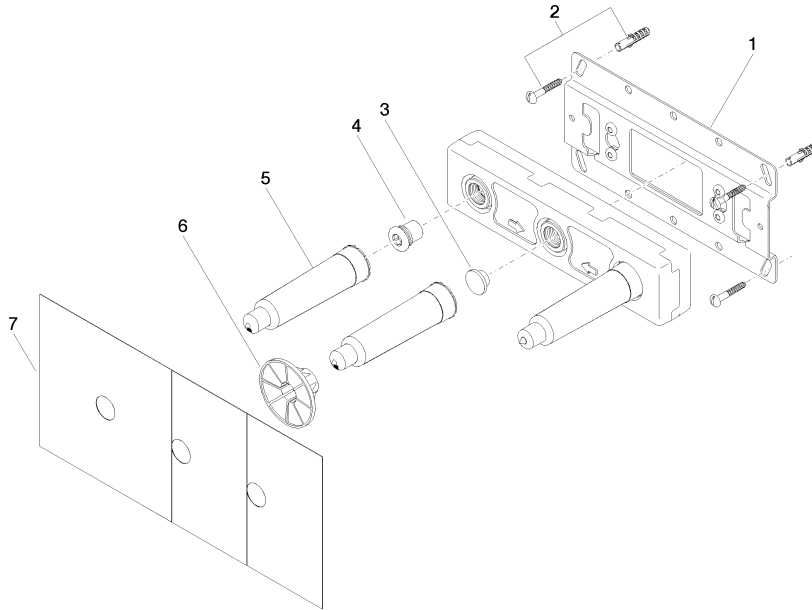


Codes & Standards

ASME A112.18.1 cUPC NSF372 NSF61

Certificates and sustainability

IAPMO_6397 IAPMO_N-4976 IAPMO_4976 (



Spare parts list

Number	Item Number	Designation	Number of units	Lead time
1	04 17 20 251 00 90	base	1.00	60
3	09 31 20 092 90	plug	1.00	2
4	04 31 20 037 00 90	plug	3.00	2
5	04 21 02 173 01 90	cap	3.00	2
6	90 23 01 174 00 90	sleeve	1.00	2
2	04 30 31 024 01 90	fixing set	2.00	2
7	04 14 03 072 01 90	gasket kit	3.00	2