

Item No.:	_____	Qty.:	_____
Model No.:	_____		
Project No.:	_____		

Budget Series Work Table

Budget Work Table, Flat Top with Stainless Steel Undershef



24"

30"

36"

- | | | |
|---|---|---|
| <input type="checkbox"/> BWT24S30-STSX | <input type="checkbox"/> BWT30S30-STSX | <input type="checkbox"/> BWT36S36-STSX |
| <input type="checkbox"/> BWT24S36-STSX | <input type="checkbox"/> BWT30S36-STSX | <input type="checkbox"/> BWT36S48-STSX |
| <input type="checkbox"/> BWT24S48-STSX | <input type="checkbox"/> BWT30S48-STSX | <input type="checkbox"/> BWT36S60-STSX |
| <input type="checkbox"/> BWT24S60-STSX | <input type="checkbox"/> BWT30S60-STSX | <input type="checkbox"/> BWT36S72-STSX |
| <input type="checkbox"/> BWT24S72-STSX | <input type="checkbox"/> BWT30S72-STSX | <input type="checkbox"/> BWT36S84-STSX |
| <input type="checkbox"/> BWT24S84-STSX | <input type="checkbox"/> BWT30S84-STSX | <input type="checkbox"/> BWT36S96-STSX |
| <input type="checkbox"/> BWT24S96-STSX | <input type="checkbox"/> BWT30S96-STSX | <input type="checkbox"/> BWT36S108-STSX |
| <input type="checkbox"/> BWT24S108-STSX | <input type="checkbox"/> BWT30S108-STSX | <input type="checkbox"/> BWT36S120-STSX |
| <input type="checkbox"/> BWT24S120-STSX | <input type="checkbox"/> BWT30S120-STSX | |

Features

- 16 Gauge, 400 series stainless steel
- Welded construction for consistent metal gauge thickness throughout
- Sound deadened between top and bottom hat channels with double sided tape
- 1-5/8" Stainless steel legs and feet, adjustable up to 1"
- Fully adjustable stainless steel undershef
- Shipped knocked down for reduced shipping costs and supplied with Allen wrench and screws

Options

- Custom Height (if less than 36")
- Cutout in Top (depending on size and location)
- Overshelves
- Undershelves
- Casters / Feet Upgrade

* For additional available options, contact Elkay SSP

Materials

- **Top:** 16 Gauge, 400 series stainless steel, 1-3/4" turned-down edge
- **Legs:** 1-5/8" Diameter heavy gauge stainless steel tubing with stainless steel leg gussets and stainless steel feet, adjustable up to 1"
- **Undershef:** 18 Gauge, 400 series stainless steel, 1-1/2" turned-down edge, fully adjustable

Flyer Product



AUTOQUOTES



In keeping with our policy of continuing product improvement, Elkay SSP reserves the right to change product specifications without notice.

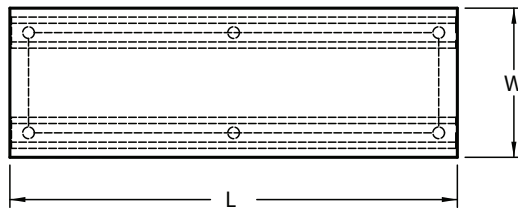
This specification describes an Elkay SSP product with design, quality and functional benefits to the user. When making a comparison of other producers' offerings, be certain these features are not overlooked.

Elkay SSP
 421 N. Freya St.
 Spokane, WA 99205
 Phone: 800-726-0553 Fax: 509-535-1493

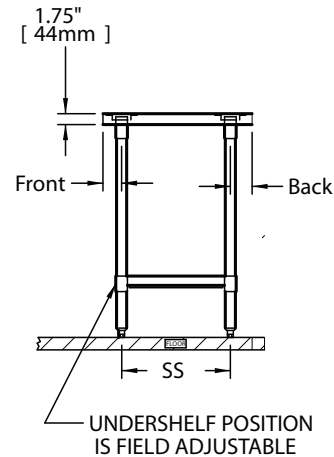
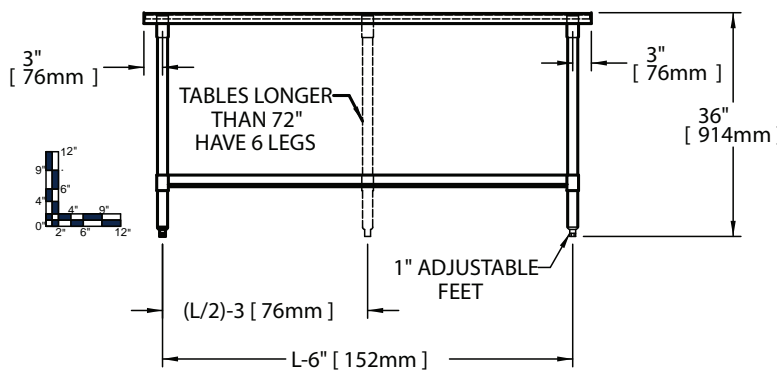
Website: www.sspinc.net
 Email: sspsales@elkay.com
 ©2011 Elkay



Item No.: _____ Qty.: _____
 Model No.: _____
 Project No.: _____



Size of Undershelf:
 Common length = subtract 6" from length
 24" Width = subtract 6.5" from width
 30" Width = subtract 7.45" from width
 36" Width = subtract 10" from width



24" Work Table				30" Work Table				36" Work Table				Legs			
Model Number	Overall Size		Weight	Model Number	Overall Size		Weight	Model Number	Overall Size		Weight				
	Length L	Height H			Length L	Height H			Length L	Height H					
	in.	mm	lbs. kg		in.	mm	lbs. kg		in.	mm	lbs. kg				
BWT 24 S 24 - STS X	24	610	36 914	75 34								4			
BWT 24 S 30 - STS X	30	762	36 914	88 41	BWT 30 S 30 - STS X	30	762	36 914	104 47			4			
BWT 24 S 36 - STS X	36	914	36 914	99 45	BWT 30 S 36 - STS X	36	914	36 914	114 52	BWT 36 S 36 - STS X	36	914	36 914	126 59	4
BWT 24 S 48 - STS X	48	1219	36 914	121 55	BWT 30 S 48 - STS X	48	1219	36 914	134 61	BWT 36 S 48 - STS X	48	1219	36 914	154 70	4
BWT 24 S 60 - STS X	60	1524	36 914	147 67	BWT 30 S 60 - STS X	60	1524	36 914	164 75	BWT 36 S 60 - STS X	60	1524	36 914	188 85	4
BWT 24 S 72 - STS X	72	1829	36 914	168 76	BWT 30 S 72 - STS X	72	1829	36 914	188 85	BWT 36 S 72 - STS X	72	1829	36 914	216 98	4
BWT 24 S 84 - STS X	84	2134	36 914	205 93	BWT 30 S 84 - STS X	84	2134	36 914	228 104	BWT 36 S 84 - STS X	84	2134	36 914	261 119	6
BWT 24 S 96 - STS X	96	2438	36 914	228 104	BWT 30 S 96 - STS X	96	2438	36 914	253 115	BWT 36 S 96 - STS X	96	2438	36 914	289 131	6
BWT 24 S 108 - STS X	108	2743	36 914	257 117	BWT 30 S 108 - STS X	108	2743	36 914	285 130	BWT 36 S 108 - STS X	108	2743	36 914	326 148	6
BWT 24 S 120 - STS X	120	3048	36 914	280 127	BWT 30 S 120 - STS X	120	3048	36 914	310 141	BWT 36 S 120 - STS X	120	3048	36 914	356 162	6

* Custom sizes also available

