

Item No.:	_____	Qty.:	_____
Model No.:	_____		
Project No.:	_____		



## Standard Series Clean Dish Table

*Standard Series Left-to-Right Straight Clean Dish Table*

- |   |   |
|---|---|
| <input type="checkbox"/> <b>CDT-24-RX</b> | <input type="checkbox"/> <b>CDT-72-RX</b> |
| <input type="checkbox"/> <b>CDT-36-RX</b> | <input type="checkbox"/> <b>CDT-84-RX</b> |
| <input type="checkbox"/> <b>CDT-48-RX</b> | <input type="checkbox"/> <b>CDT-96-RX</b> |
| <input type="checkbox"/> <b>CDT-60-RX</b> |   |

## Specifications

Standard Clean Dish Table, straight design, left-to-right operation, 10" high backsplash with 2" return, 16 gauge stainless steel top, galvanized legs with adjustable plastic feet, NSF approved

## Features

- 16 Ga. stainless steel
- Welded construction for consistent metal gauge thickness throughout
- 10" (254 mm) backsplash with tile edge for easy installation
- Raised 1-1/2" (38.1 mm) diameter rolled edge
- 1-5/8" (41.3 mm) galvanized H-Frame legs with 1" (25.4 mm) adjustable plastic feet

## Options

- Stainless Steel H-frame Legs and Feet
- Rack Slides
- Scrap Baskets with Rack Slides
- Undershelves

\* For additional available options, contact Elkay SSP

## Materials

- Top: Bowl and backsplash are 16 gauge 300 series stainless steel
- Legs: 1-5/8" (41.3 mm) diameter heavy gauge galvanized tubing with galvanized leg gussets and high impact, corrosion resistant, adjustable 1" (25.4 mm) feet

## Flyer Product

*In keeping with our policy of continuing product improvement, Elkay SSP reserves the right to change product specifications without notice.*



**AUTOQUOTES**



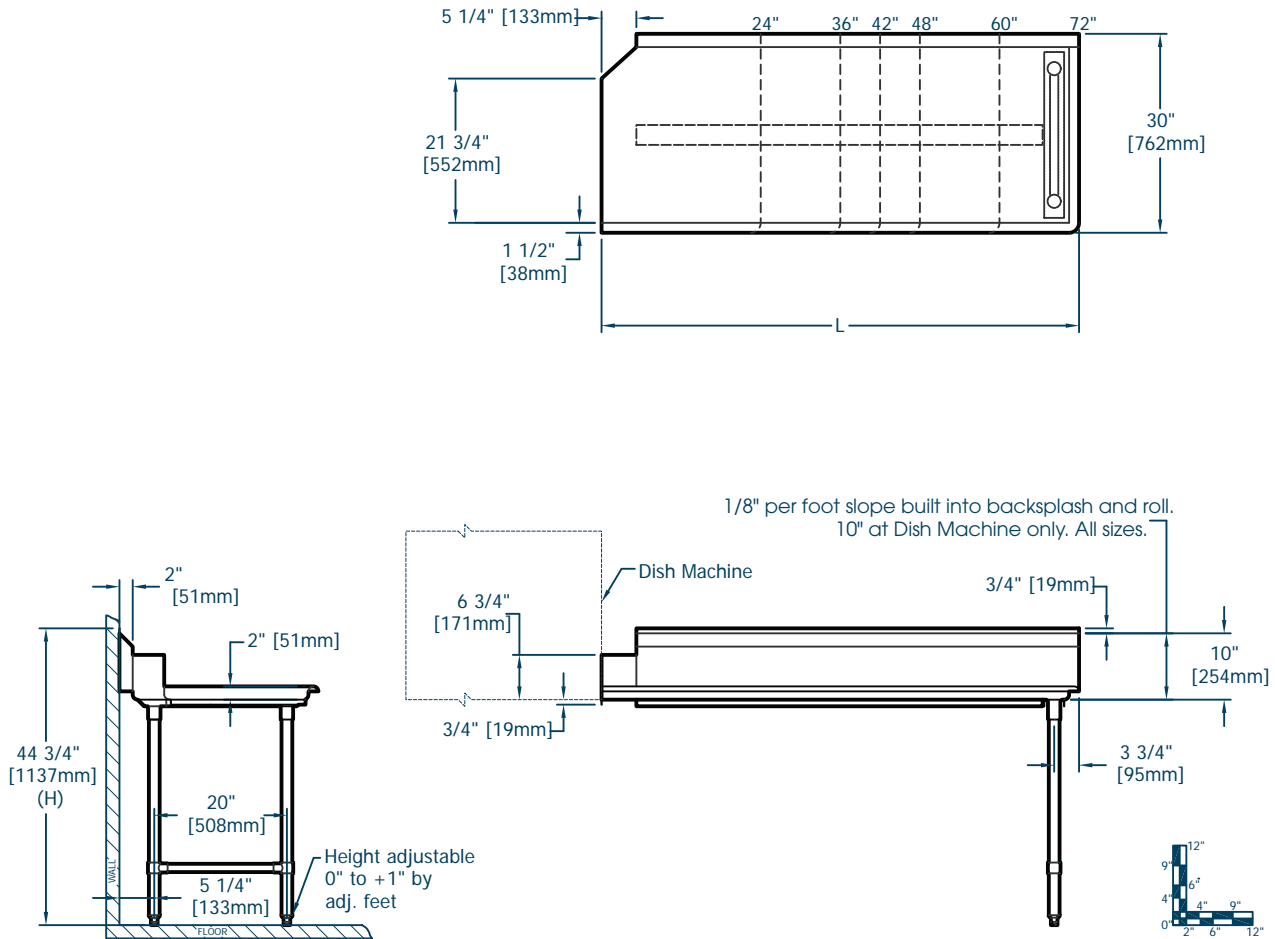
*This specification describes an Elkay SSP product with design, quality and functional benefits to the user. When making a comparison of other producers' offerings, be certain these features are not overlooked.*



Item No.: \_\_\_\_\_ Qty.: \_\_\_\_\_  
 Model No.: \_\_\_\_\_  
 Project No.: \_\_\_\_\_

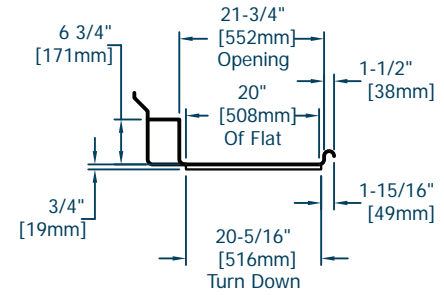
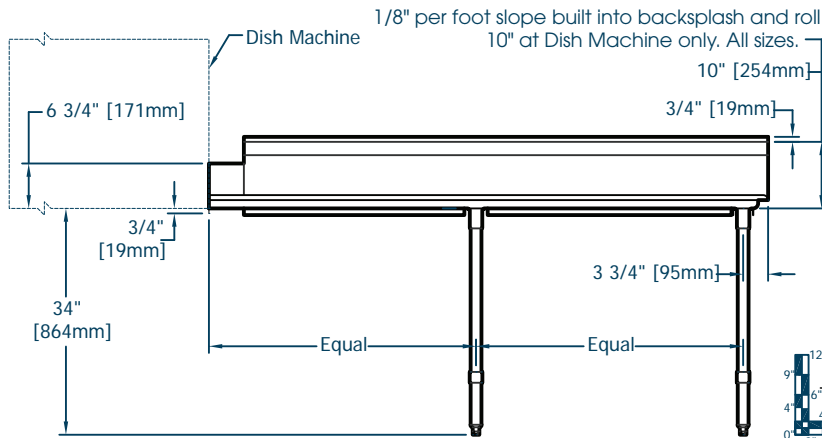
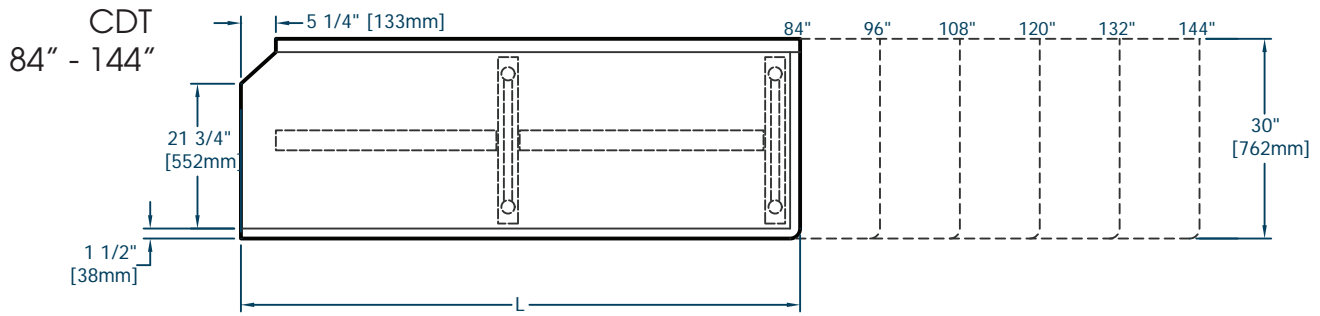
**Standard Series Clean Dish Table**  
 Standard Series Left-to-Right Straight Clean Dish Table

CDT  
 24" - 72"



Model Number	Overall Size						Weight	
	Length		Width		Height		lbs.	kg
	L		W		H			
CDT - 24 - R X	24	609.6	30	762	44.75	1137	61	28
CDT - 36 - R X	36	914.4	30	762	44.75	1137	80	36
CDT - 48 - R X	48	1219	30	762	44.75	1137	96	44
CDT - 60 - R X	60	1524	30	762	44.75	1137	117	53
CDT - 72 - R X	72	1829	30	762	44.75	1137	133	61
CDT - 84 - R X	84	2134	30	762	44.75	1137	169	77
CDT - 96 - R X	96	2438	30	762	44.75	1137	186	84

Flyer Product  
 Product Positioned Right of Dish Machine  
 Length - in  
 Clean Dish Table, Straight Design



**Dish Machine Connection Detail**

