

Item No.:	_____	Qty.:	_____
Model No.:	_____		
Project No.:	_____		



Standard Series Soiled Dish Table

Standard Series Left-to-Right Straight Soiled Dish Table

- DDT-36-LX**
- DDT-48-LX**
- DDT-60-LX**
- DDT-72-LX**

Options

- Stainless Steel H-frame Legs and Feet
- Rack Slides
- Scrap Baskets with Rack Slides
- Undershelves

* For additional available options, contact Elkay SSP

Specifications

Standard Soiled Dish Table, straight design, left-to-right operation, 10" high backsplash with 2" return, 16 gauge stainless steel top & pre-rinse sink, galvanized legs with adjustable plastic feet (specify faucet hole location), NSF approved

Features

- 16 Ga. stainless steel
- Welded construction for consistent metal gauge thickness throughout
- 10" (254 mm) backsplash with tile edge for easy installation
- Raised 1-1/2" (38.1 mm) diameter rolled edge
- 1-5/8" (41.3 mm) galvanized H-Frame legs with 1" (25.4 mm) adjustable plastic feet

Materials

- Top: Bowl and backsplash are 16 gauge 300 series stainless steel
- Legs: All sinks furnished with 1-5/8" (41.3 mm) diameter heavy gauge galvanized tubing with galvanized leg gussets and high impact corrosion resistant fully adjustable 1" (25.4 mm) feet

Flyer Product

In keeping with our policy of continuing product improvement, Elkay SSP reserves the right to change product specifications without notice.

Elkay SSP
 421 N. Freya St.
 Spokane, WA 99205
 Phone: 800-726-0553 Fax: 509-535-1493

DT-DDTLX05JULY2011



AUTOQUOTES



This specification describes an Elkay SSP product with design, quality and functional benefits to the user. When making a comparison of other producers' offerings, be certain these features are not overlooked.

Website: www.sspinc.net
 Email: sspsales@elkay.com
 ©2011 Elkay

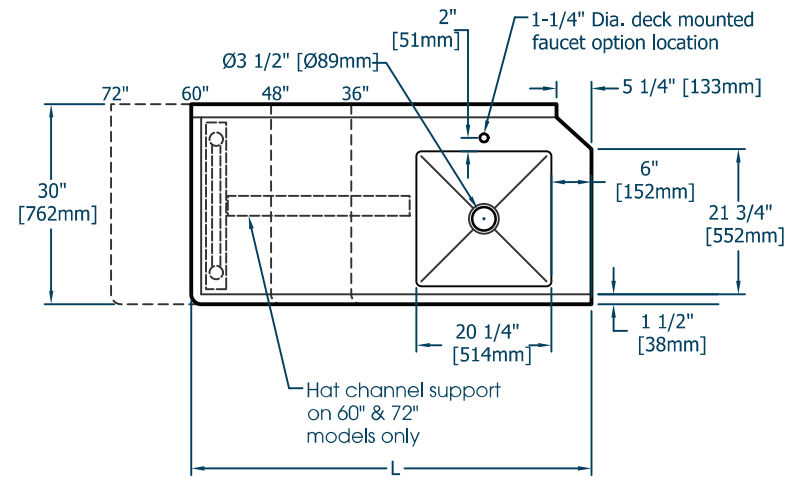


Item No.: _____ Qty.: _____
 Model No.: _____
 Project No.: _____

Standard Series Soiled Dish Table

Standard Series Left-to-Right Straight Soiled Dish Table

DDT
36" - 72"



Faucet Hole Options

Specify at time of ordering

Back Splash Mounted

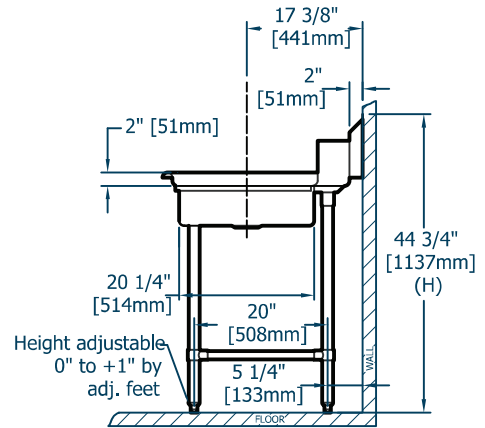
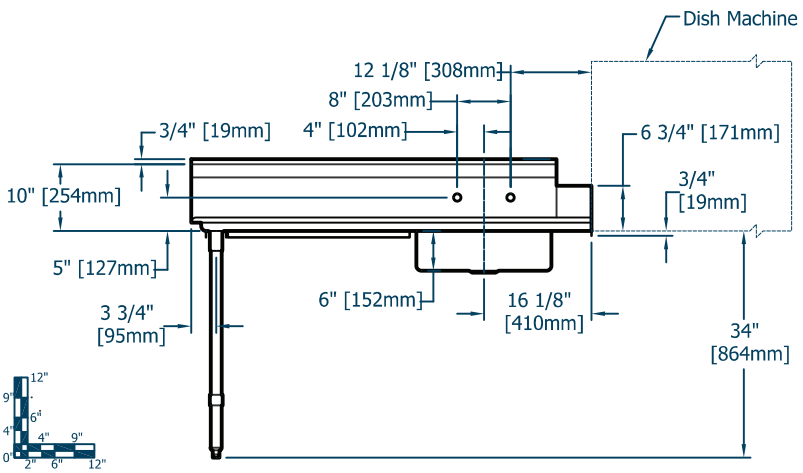
(2) 1-1/8" Dia. holes, 8" on center
Reference Front View

Deck Mounted

(1) 1-1/4" Dia. hole, centered over tub drain centerline
Reference Plan View

No Hole

Product supplied without faucet hole drilling



Standard Series Straight Soiled Dish Tables																
Model Number	Bowl Dimensions						Overall Size						Drain Location		Weight	
	Width A		Front-to-Back B		Depth D		Length L		Width W		Height H		DL		lbs.	kg
	in.	mm	in.	mm	in.	mm	in.	mm	in.	mm	in.	mm	in.	mm		
DDT - 36 - L X	20.25	514	20.25	514	6	152	36	914.4	30	762	44.75	1137	17	441	95	43
DDT - 48 - L X	20.25	514	20.25	514	6	152	48	1219	30	762	44.75	1137	17	441	111	51
DDT - 60 - L X	20.25	514	20.25	514	6	152	60	1524	30	762	44.75	1137	17	441	132	60
DDT - 72 - L X	20.25	514	20.25	514	6	152	72	1829	30	762	44.75	1137	17	441	148	67



Elkay SSP
 421 N. Freya St.
 Spokane, WA 99205
 Phone: 800-726-0553 Fax: 509-535-1493

Website: www.sspinc.net
 Email: sspsales@elkay.com
 ©2011 Elkay