



FKD Inline duct fans

Moderate to high airflow metal fans for various applications

- Mixed-flow impeller enabling high static pressure
- Built-in thermal overload protection with automatic reset
- Galvanized steel housing
- Operable in air stream temperatures up to 140°F
- Comes with mounting brackets for quick & easy installation
- Limited 5-year warranty

High Static Pressure

The mixed-flow impeller design enables the fan to overcome high static pressures, making it suitable for applications where airflow resistance is a concern.

Applications

Offices, hospitals, beauty salons, veterinary clinics, commercial bathrooms, and residential applications such as kitchen range hood exhausts.

Easy Installation and Reliability

The fan comes with fan brackets for quick and easy installation, streamlining the setup process for users.

Built-in Thermal Protection

Built-in thermal overload protection with automatic reset functionality prevents motor overheating and damage.

Certifications



UL Listed

This product is Listed by UL. UL has rigorously tested and confirmed that this product meets all of their stringent requirements. Search the UL Product iQ directory for more information about listed products at <https://productiq.ulprospector.com/>



AMCA Worldwide Certified Ratings: Sound and Air Performance

Systemair certifies that the model shown herein is licensed to bear the AMCA Seal. The ratings shown are based on tests and procedures performed in accordance with AMCA Publication 211 and AMCA Publication 311 and comply with the requirements of the AMCA Certified Ratings Program. Check the AMCA Certified and Listed Product Search for our products <https://www.amca.org/certify/#certified-product-search>

Technical parameters

Nominal data

Voltage (nominal)	115	V
Frequency	60	Hz
Phases	1~	
Input power	485	W
Input current	4.84	A
Impeller speed	2,889	rpm
Air flow	max 1,267	cfm
Temperature of transported air	max 140	°F

Protection/Classification

Enclosure class, motor	IP44
Insulation class	B
Certificate	AMCA Air, AMCA Sound, cULus

Dimensions and weights

Duct dimension; Circular, inlet	10	in.
Duct dimension; Circular, inlet	10	in.
Duct dimension; Circular, outlet	10	in.
Duct dimension; Circular, outlet	254	mm
Weight	20.5	lb

Optional

Duct connection type	Circular
Motor type	AC
Material	Metal

Performances

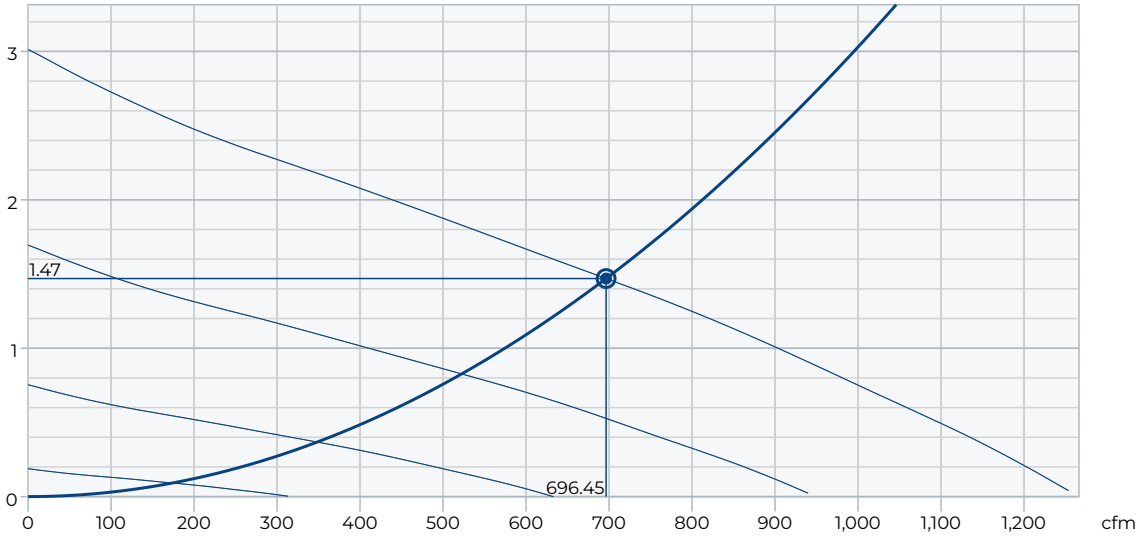
CFM Table

Model
8XL
10
10XL
12
12XL
14
14XL
16
16XL
18
18XL
20

Performance

Performance curve

in. wg.



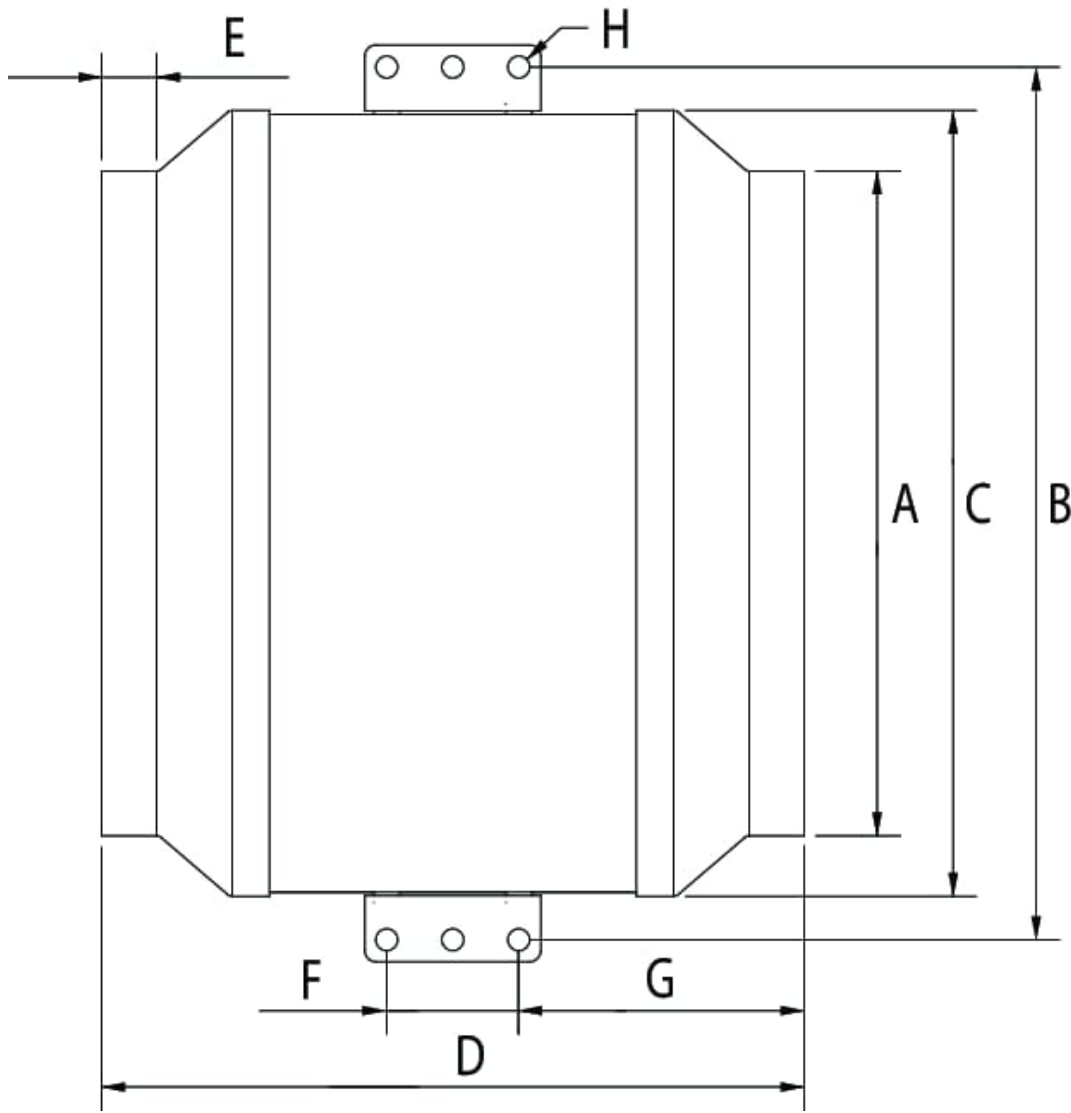
Performance data

Required air flow	696 cfm
Required static pressure	1.47 in. wg.
Working air flow	696 cfm
Working static pressure	1.47 in. wg.
Air density	0.075 lb/ft ³
Power	511 W
Fan control - RPM	2,702 rpm
Airflow efficiency	1.4 cfm/W
Control voltage	115.0 V
Supply voltage	115 V

Sound power level

		63	125	250	500	1k	2k	4k	8k	Total
Inlet	dB(A)	51	68	72	79	76	74	74	71	83

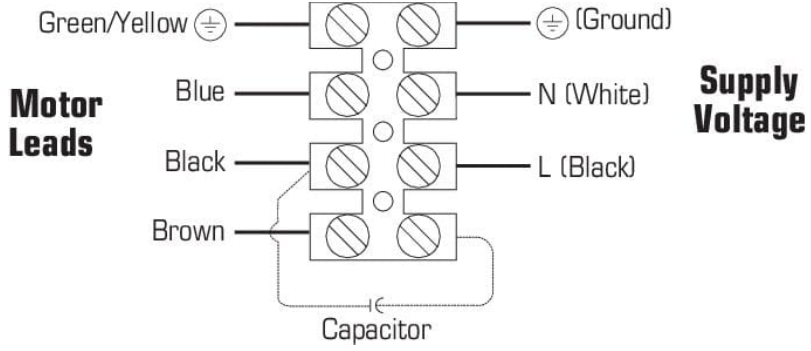
Dimensions



Model	A	B	C	D	E	F	G	H
8XL	8 (203)	14 (356)	12 1/2 (318)	15 1/2 (394)	3/4 (19)	2 3/8 (60)	6 1/8 (156)	3/8 (10)
10	10 (254)	14 (356)	12 1/2 (318)	12 1/2 (318)	3/4 (19)	2 3/8 (60)	5 (127)	3/8 (10)
10XL	10 (254)	15 5/8 (397)	14 (356)	15 (381)	3/4 (19)	2 3/8 (60)	6 3/8 (162)	3/8 (10)
12	12 (305)	15 5/8 (397)	14 (356)	12 1/2 (318)	3/4 (19)	2 3/8 (60)	5 1/8 (130)	3/8 (10)

Dimensions in inches (mm)

Wiring



AHU Accessories

- RPE 10 Speed control (411101)
- HL 42 Kitchen Hood Liner (56046)
- FIDT 10 Insulated Flex Duct (411322)
- RC10P Roof Cap (79959)
- LD 10 Silencer (411286)
- DHS 05 Humidity/Fan control (494044)
- HL 48 Kitchen Hood Liner (56045)
- FML 10 Metal Hood Supply Air (45149)
- FGR 10 Filter Cassette (44685)
- IR 10 Iris Damper (411238)
- FC 10 Mounting Clamps (2 pcs) (411122)
- PT6 Attic Thermostat (494085)

Documents

- E2326 FG-FR-FKD BR EN pages
- 498379 FKD-KD IOM EN FR ES.pdf
- 498381 FKD/KD Submittal Sheet EN
- FKD-KD_CSI_SPECIFICATION.ZIP

CSI Specification

Please note that the CSI Specification has been moved under the Documentation Tab.