



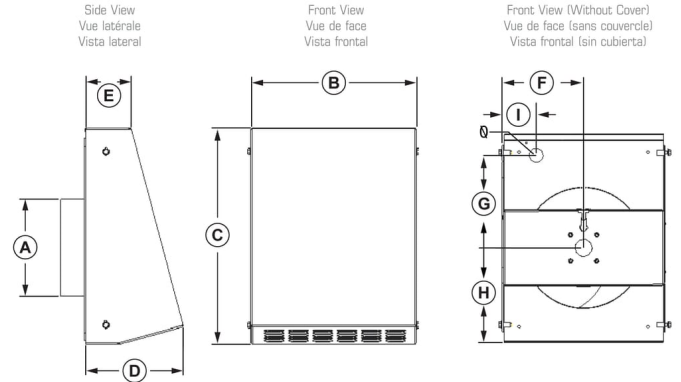
Moderate to high airflow exterior wall-mount fan

- Fan motor noise kept outside
- RAL 9016 painted housing
- Airflow temperatures up to 140°F
- Built-in thermal overload protection with automatic reset
- Rubber gasket for ease of duct installation
- Five-year factory warranty

Technical parameters

Nominal data	
Voltage (nominal)	120 V
Frequency	60 Hz
Phases	1~
Input power	19 W
Input current	0.16 A
Impeller speed	3,084 rpm
Air flow	max 136 cfm
Capacitance of capacitor	2 µF
Temperature of transported air	max 140 °F
Protection/Classification	
Enclosure class, motor	IP44
Insulation class	B
Certificate	cULus
Dimensions and weights	
Duct dimension; Circular, inlet	4 in.
Duct dimension; Circular, inlet	4 in.
Duct dimension; Circular, outlet	4 in.
Weight	7.4 lb
Optional	
Duct connection type	Circular
Color name, casing	White
Motor type	AC
Material	Metal

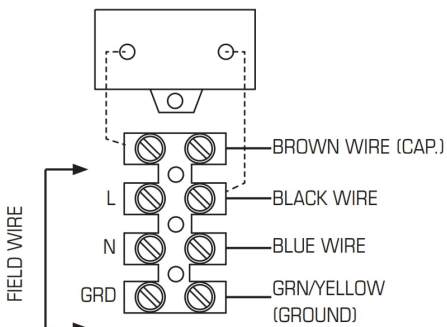
Dimensions



Model	A	B	C	D	E	F
RVF 4	4 (102)	10-1/4 (260)	13 (330)	6 (152)	2-3/4 (70)	5-1/8 (130)
RVF 4XL	4 (102)	10-1/4 (260)	13 (330)	6 (152)	2-3/4 (70)	5-1/8 (130)
RVF 6	6 (152)	10-1/4 (260)	13 (330)	6 (152)	2-3/4 (70)	5-1/8 (130)

Dimensions in inches (mm).

Wiring



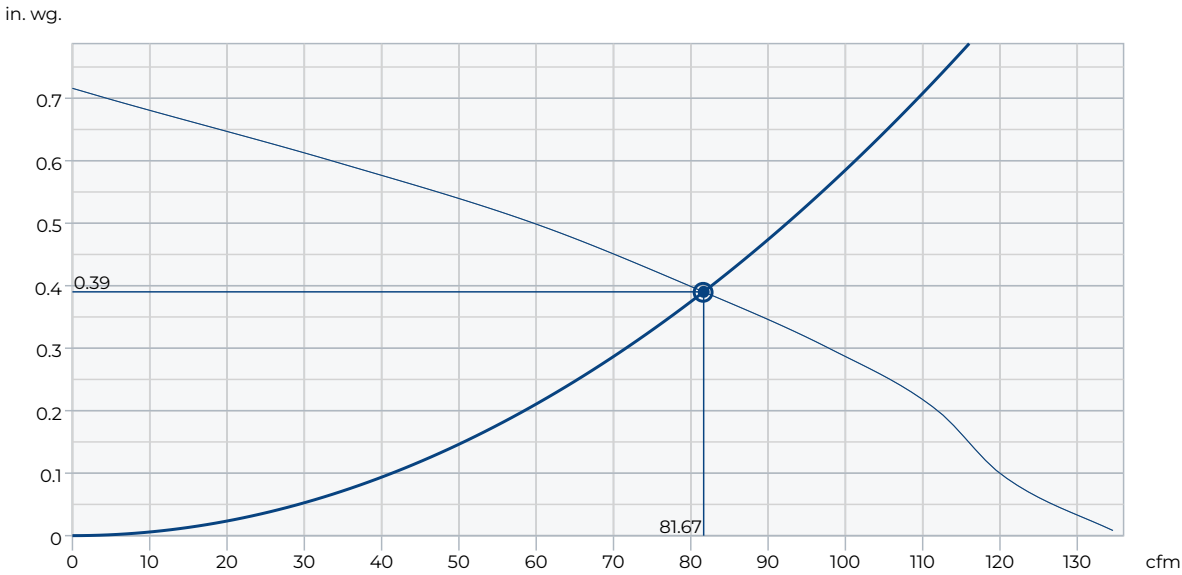
Note: Capacitor wires are non-directional

Performances

HVI Certified Rating(s)

Static Pressure (In. Wg.)	Rated Airflow (CFM)	Rate (W)
0.10	120	19

Performance curve



Performance data	
Required air flow	82 cfm
Required static pressure	0.39 in. wg.
Working air flow	82 cfm
Working static pressure	0.39 in. wg.
Air density	0.075 lb/ft ³
Power	19 W
Fan control - RPM	2,930 rpm
Current	0.16 A
Airflow efficiency	4.3 cfm/W
Supply voltage	120 V

AHU Accessories

FD60EM Electronic timer (411386)	WC 15 Speed control (411102)
IPF05 Speed control (484164)	FEL 4 Plastic Elbow (45154)
FIDT 4 Insulated Flex Duct (411061)	RSK 4 Backdraft Damper (411112)
LD 4 Silencer (411282)	FC 4 Mounting Clamps (2 pcs) (411295)
MGE 4 Metal Exhaust Grill (411106)	DHS 05 Humidity/Fan control (494044)
DB10 Pressure Switch Kit (95902)	

Documents

401452 RVF IOM EN FR ES
40040.dxf
E1656 RVF Garage Application EN
450483 RVF Brochure EN
450373 RVF Submittal Sheet EN
RVF AC CSI Specification