



Accessories that help achieve energy savings by controlling on demand

We offer controls designed for all inline duct fans:

- Speed controls
- Electronic timers
- Thermostats
- Switches
- Dehumidistats

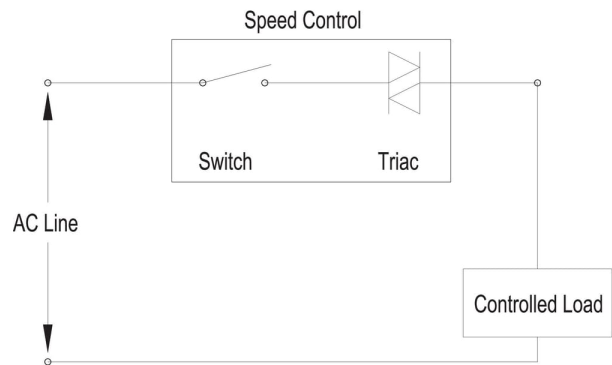
Explore the range in the dropdown menu.

Technical parameters

Dimensions and weights

Weight	0.3 lb
--------	--------

Wiring



Documents

WC15 RPE10 RPE15 RPE210 Installation Manual EN