



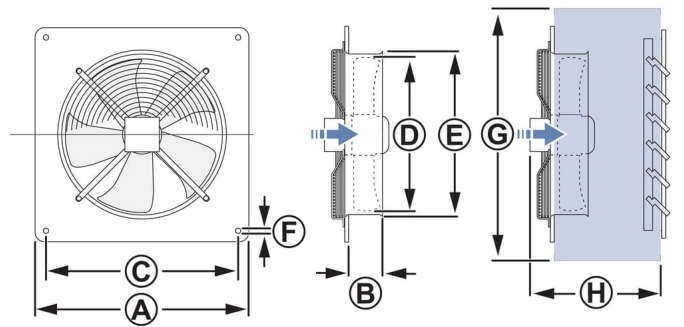
**Axial Plated / Cabinet Mount Fans with Direct Drive Motors**

- Shallow Profile (FADE)
- Aerodynamic Propeller Blades
- Powder Coated Plate (FADE)
- Galvanized Steel Housing (FADE WHD)
- Quiet Operation

**Technical parameters**

Nominal data	
Voltage (nominal)	120 V
Frequency	60 Hz
Phases	1~
Input power	99 W
Input current	0.93 A
Impeller speed	1,622 rpm
Air flow	max 1,208 cfm
Temperature of transported air	max 140 °F
Protection/Classification	
Insulation class	B
Certificate	AMCA Air, AMCA Sound, cCSAus
Dimensions and weights	
Weight	10.9 lb
Optional	
Color name, casing	Black
Motor type	AC

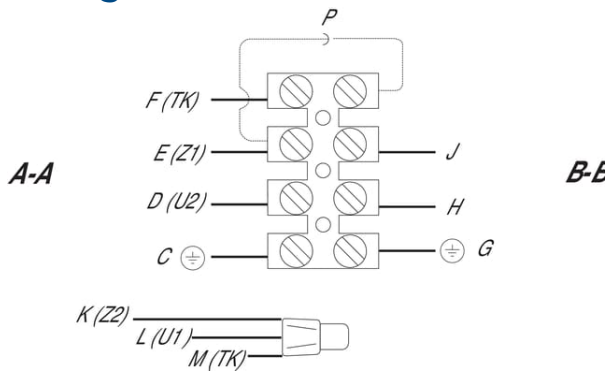
**Dimensions**



Model	A	B	C	D	E	F
FADE 8-4	12-5/16	2	10-1/4	7-3/4	8-1/16	1/4
FADE 10-4	14-9/16	2	12-5/8	10	10-5/16	1/4
FADE 12-4 / FADE 12-4 WHD	17	3	15	12	12-7/8	5/16
FADE 14-4 / FADE 14-4 WHD	19-3/16	3-1/8	17-1/8	14	15-3/8	5/16
FADE 16-4 / FADE 16-4 WHD	22-3/4	3-1/2	21	16-1/2	17-1/4	3/8

Dimensions are in inches.

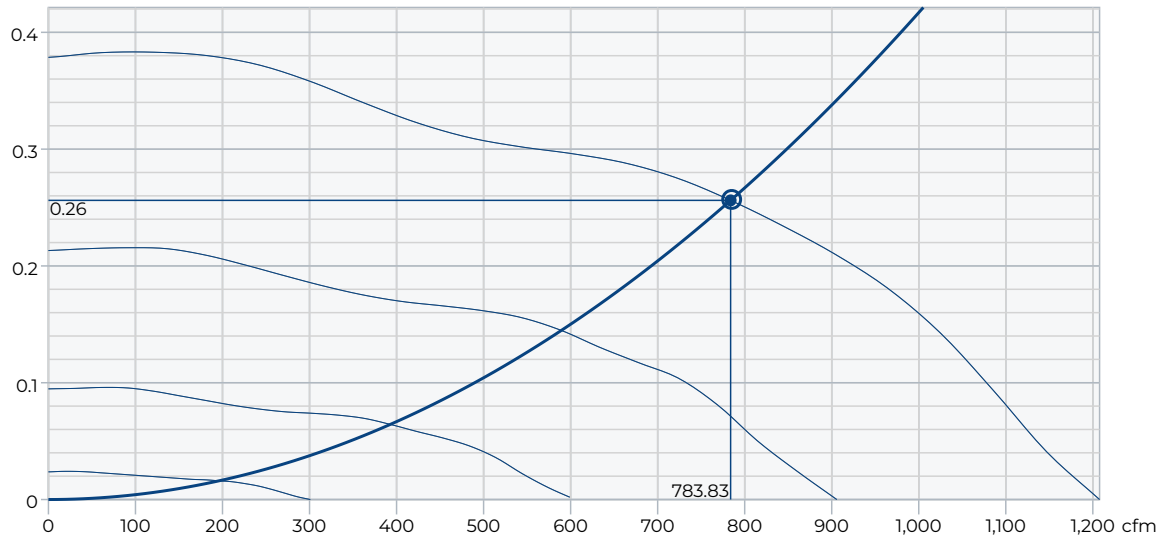
**Wiring**



A-A	B-B	C	D	E	F	G	H	J	K	L	M	P
Motor	Supply	Green-Yellow	Blue	Black	Black/Brown	Ground	N/L2	L/L1	Orange	Brown	White	Capacitor

## Performance curve

in. wg.



### Performance data

Required air flow	785 cfm
Required static pressure	0.26 in. wg.
Working air flow	784 cfm
Working static pressure	0.26 in. wg.
Air density	0.075 lb/ft <sup>3</sup>
Power	114 W
Fan control - RPM	1,483 rpm
Airflow efficiency	6.9 cfm/W
Control voltage	120.0 V
Supply voltage	120 V

### Sound power level

	63	125	250	500	1k	2k	4k	8k	Total
Inlet	34	51	53	58	63	64	59	49	68

## AHU Accessories

FH 20 Dehumidistat (410727)  
FTD7 7-day digital timer (49792)

WC 15 Speed control (411102)  
PT6 Attic Thermostat (494085)

## Documents

401442 FADE IOM EN