



FADE Wall ventilators

Axial Plated / Cabinet Mount Fans with Direct Drive Motors

- Shallow Profile (FADE)
- Aerodynamic Propeller Blades
- Powder Coated Plate (FADE)
- Galvanized Steel Housing (FADE WHD)
- Quiet Operation

Space-Saving Design

Designed to effectively and quietly handle major ventilation challenges without taking up valuable space.

Excellent Heat Dissipation

The external rotor motorized propeller provides excellent heat dissipation in the air stream, even at a low RPM.

Plate or Cabinet Models

FADE models include a square wall plate. FADE WHD models include a wall cabinet and backdraft damper.

Quiet Operation

Statically and dynamically balanced for vibration-free operation, FADE fans can handle major ventilation challenges.

Certifications



UL Listed

This product is Listed by UL. UL has rigorously tested and confirmed that this product meets all of their stringent requirements. Search the UL Product iQ directory for more information about listed products at <https://productiq.ulprospector.com/>

Technical parameters

Nominal data

Voltage (nominal)	120	V
Frequency	60	Hz
Phases	1~	
Input power	757	W
Input current	6.9	A
Impeller speed	1,498	rpm
Air flow	max 4,949	cfm
Temperature of transported air	max 158	°F

Protection/Classification

Insulation class	B
Certificate	AMCA Air, AMCA Sound, cCSAus

Dimensions and weights

Weight	49.1	lb
--------	------	----

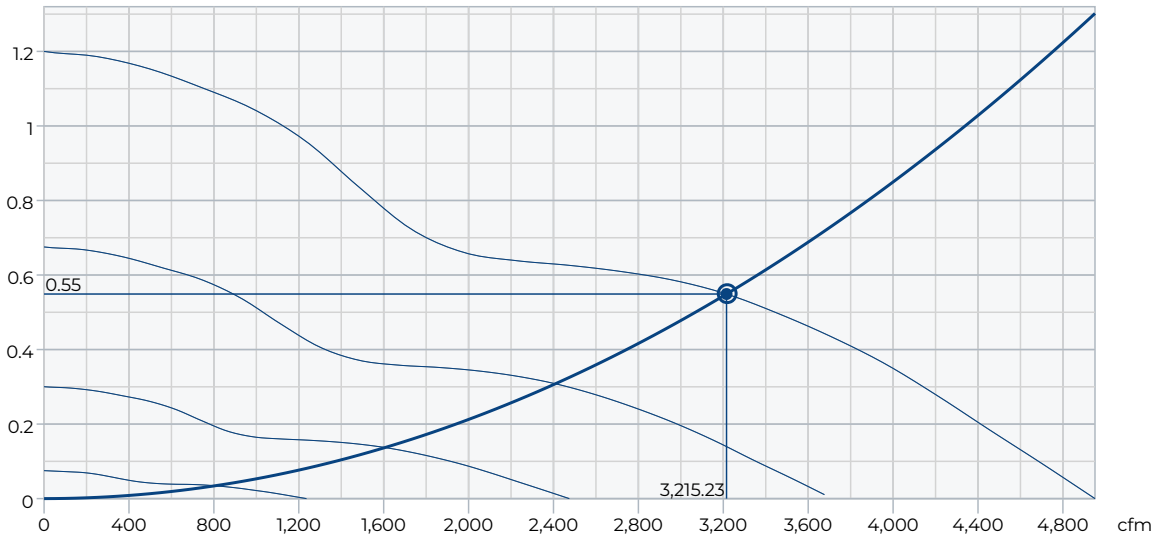
Optional

Color name, casing	Beige
Motor type	AC

Performance

Performance curve

in. wg.



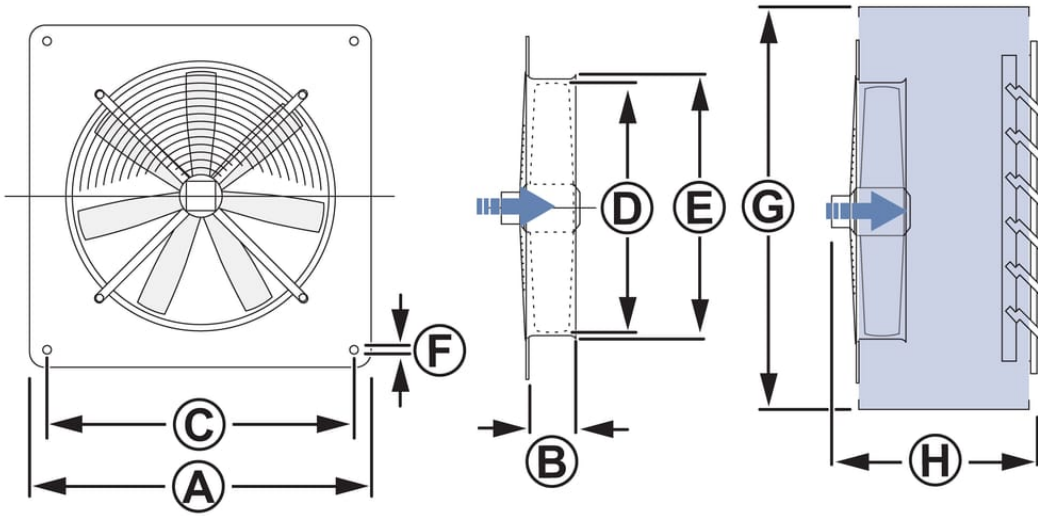
Performance data

Required air flow	3,218 cfm
Required static pressure	0.55 in. wg.
Working air flow	3,215 cfm
Working static pressure	0.55 in. wg.
Air density	0.075 lb/ft ³
Power	817 W
Fan control - RPM	1,441 rpm
Airflow efficiency	3.9 cfm/W
Control voltage	120.0 V
Supply voltage	120 V

Sound power level

		63	125	250	500	1k	2k	4k	8k	Total
Inlet	dB(A)	51	70	71	74	75	75	71	63	81

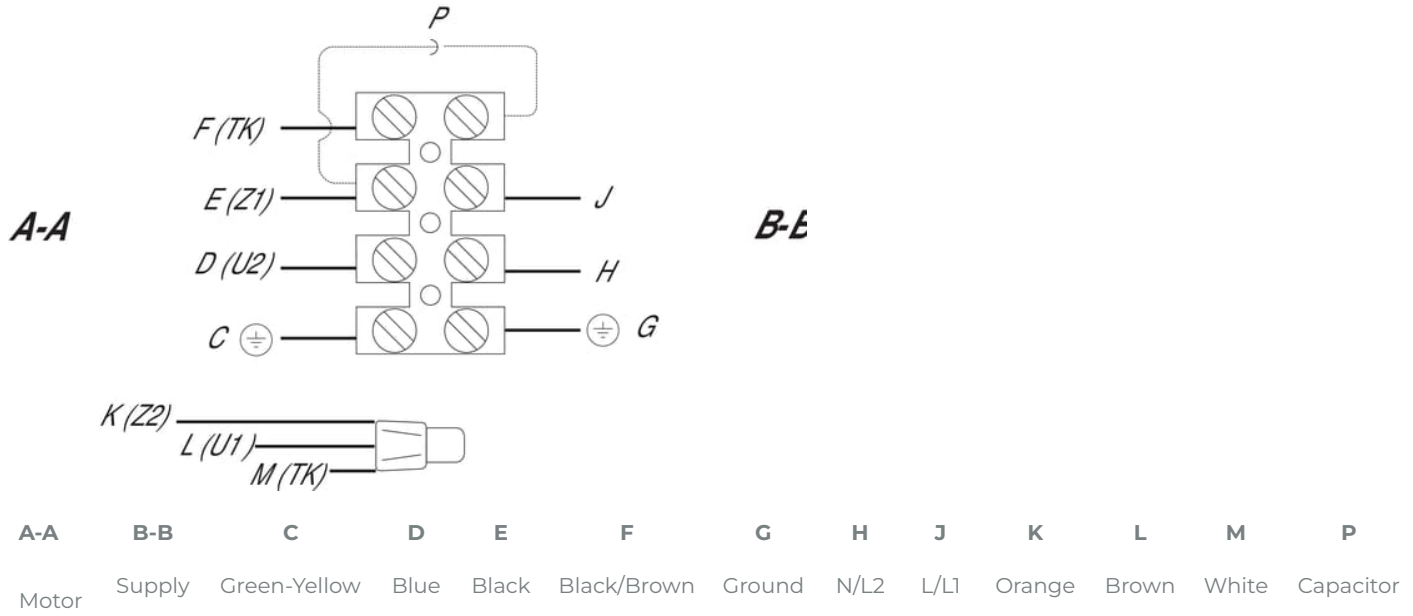
Dimensions



Model	A	B	C	D	E	F	G	H
FADE 18-4 / FADE 18-4 WHD	22-9/16	4-1/4	21	18	18-1/2	3/8	24	16-1/2
FADE 20-4 / FADE 20-4 WHD	25-3/16	4-1/2	24-1/4	20	20-1/2	3/8	26	17-1/2
FADE 20-6 / FADE 20-6 WHD	25-3/16	4-1/2	24-1/4	20	20-1/2	3/8	26	17-1/2
FADE 22-6 / FADE 22-6 WHD	28-5/8	5-1/4	26-9/16	22	22-1/2	3/8	32	18-3/4
FADE 25-6 / FADE 25-6 WHD	31-3/4	6	29-1/2	25	25-1/2	3/8	32	18-3/4

Dimensions are in inches.

Wiring



AHU Accessories

- RPE 10 Speed control (411101)
- PT6 Attic Thermostat (494085)

Documents

- 401442 FADE IOM EN