



FML Hood Hood & vents

Supply and Exhaust Air Hoods

FML Metal Hood

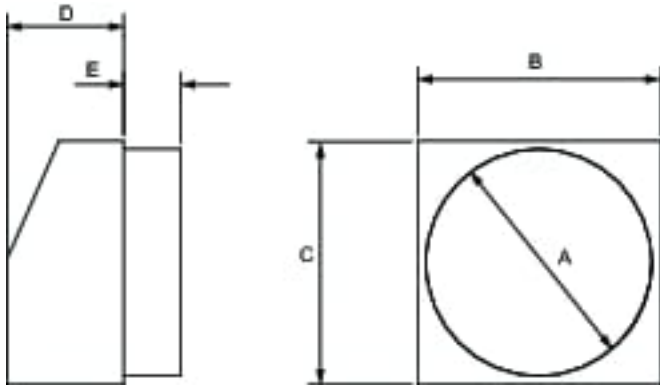
- Pre-painted Aluminum Housing
 - Powder Coated White
 - Equipped with a Bug Screen
-

Technical parameters

Dimensions and weights

Weight	1.134	kg
--------	-------	----

Dimension



Model	A	B	C	D	E
FML 8	8	9	9	5	3 1/2
FML 10	10	11	11	6	3 1/2
FML 12	12	13	13	7	3 1/2
FML 14	14	15	15	7 1/4	3 1/2

All dimensions in inches