



BDD Roof ventilators

Belt Drive Downblast Power Roof Ventilator

- All ventilators are UL 705 listed
- Durable spun aluminum construction with steel support braces
- Inlet temperatures up to 170°F
- Backward inclined aluminum fan wheel
- Equipped with a built-in bird screen to protect discharge
- Externally cooled motor compartment

Safety Compliant

The roof ventilators are UL 705 listed, ensuring that they meet industry standards for safety and performance in various environments.

Durable Construction

BDDs are constructed from durable spun aluminum with steel support braces providing long-lasting reliability and stability even in harsh conditions.

Certifications



UL Listed

This product is Listed by UL. UL has rigorously tested and confirmed that this product meets all of their stringent requirements. Search the UL Product iQ directory for more information about our listed products.



AMCA Worldwide Certified Ratings: Sound and Air Performance

Systemair certifies that the model shown herein is licensed to bear the AMCA Seal. The ratings shown are based on tests and procedures performed in accordance with AMCA Publication 211 and AMCA Publication 311 and comply with the requirements of the AMCA Certified Ratings Program. Check the AMCA Certified and Listed Product Search for our products.

Technical parameters

Nominal data

Voltage (nominal)	120	V
Rated voltage	120 to 230	V
Frequency	60	Hz
Phases	1~	
Input power	373	W
Nominal power at shaft (P2)	0.5	hp
Input current	4.2	A
Impeller speed	1185	rpm
Air flow	max 2350	cfm
Temperature of transported air	max 170	°F

Protection/Classification

Insulation class	B	
------------------	---	--

Dimensions and weights

Weight	45.813	kg
--------	--------	----

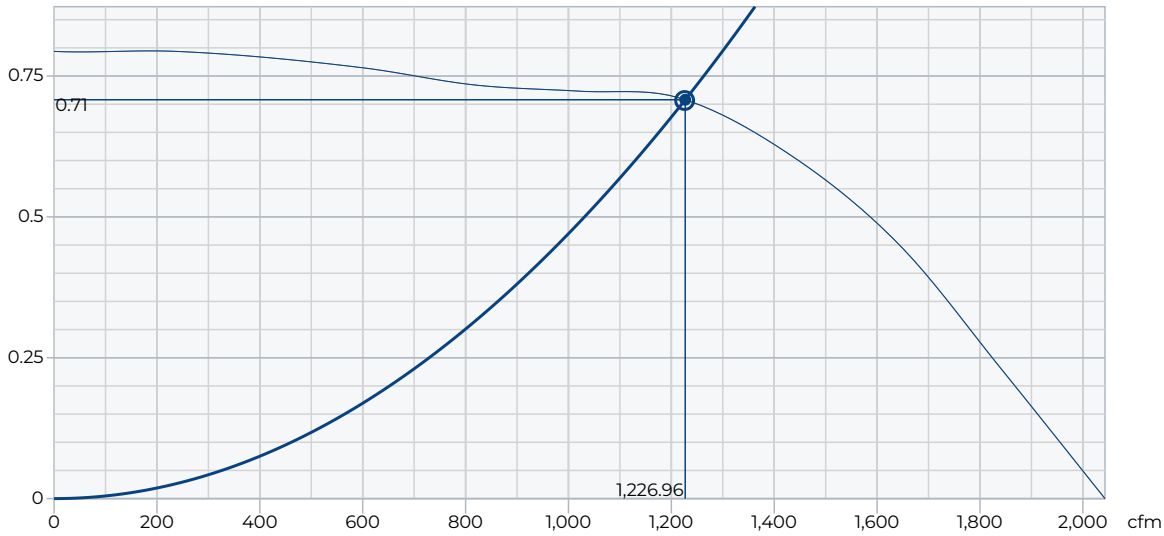
Optional

Motor type	AC	
------------	----	--

Performance

Performance curve

in. wg.



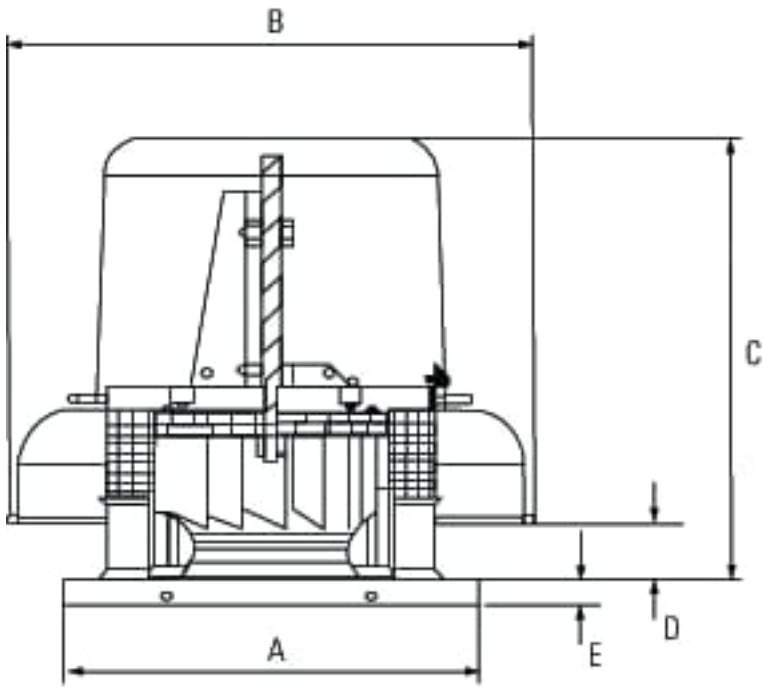
Performance data

Required air flow	1,226 cfm
Required static pressure	0.71 in. wg.
Working air flow	1,227 cfm
Working static pressure	0.71 in. wg.
Air density	0.075 lb/ft ³
Power	208 W
Fan control - RPM	1,030 rpm
Airflow efficiency	5.9 cfm/W
Supply voltage	120 V

Sound power level

		63	125	250	500	1k	2k	4k	8k	Total
Inlet	dB(A)	42	69	65	63	62	61	56	48	72

Dimension

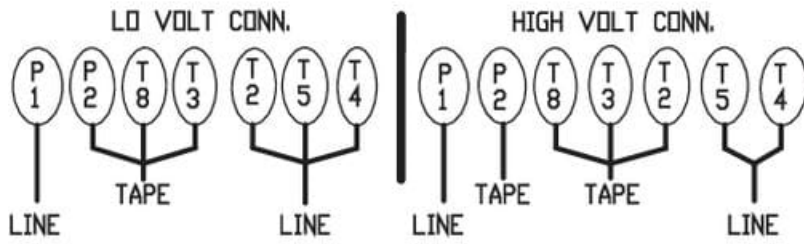


Model	A	B	C	D	E
5BDD 10	19	25 3/4	22 7/8	3	1 1/2
5BDD 12	22	28	23 3/8	3	1 1/2
5BDD 13	22	29 3/4	24 5/8	3 1/4	1 1/2
5BDD 15	26	31 11/16	27 3/8	3 3/4	1 1/2
5BDD 16	26	33 11/16	27 3/4	4 3/16	1 1/2
5BDD 18	30	36	29 5/8	4 3/4	1 1/2
5BDD 20	30	38 1/4	30 1/4	5 1/4	1 1/2
5BDD 24	34	44 1/4	33	6 11/16	1 1/2
5BDD 30	42	51 7/16	37 1/2	8 13/32	1 1/2
5BDD 36	46	60	41 5/8	10 1/2	1 1/2

Dimensions are in inches.

Wiring

CAPACITOR START MOTOR



CCW ROTATION SWITCH END
TO REVERSE ROTATION INTER-
CHANGE LEADS T5 AND T8

AHU Accessories

- 5ACC19RD Roof Mount Damper (47210)
- 5ACC24FT Fixed Non-Vented Curb (47941)
- 5ACC24FS Fixed Non-Vented Curb (47217)
- 5ACC 01MS Motor disc. switch (47182)

Documents

- 46909.dxf
- 5BDD Submittal Sheet EN.pdf
- 481806 PRV OIPM EN