



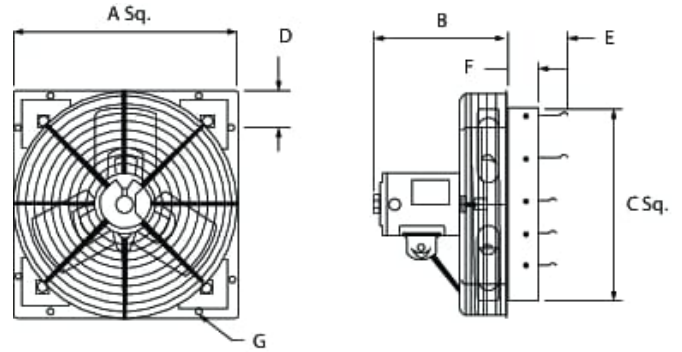
### Axial Wall Shutter Fans with Direct Drive Motors

- Heavy-duty guards have a coating to resist corrosion
- All ventilators are UL 705 listed
- OSHA compliant guards
- Enclosed motors
- Shipped ready to install

## Technical parameters

Nominal data	
Voltage (nominal)	115 V
Frequency	60 Hz
Phases	1~
Input power	119 W
Input current	1.4 A
Impeller speed	1,570 rpm
Air flow	max 792 cfm
Temperature of transported air	max 104 °F
Protection/Classification	
Insulation class	B
Dimensions and weights	
Weight	12.1 lb
Optional	
Motor type	AC

## Dimensions



Model	A	B	C	D	E	F	G
2SHE 0721	11	5 3/8	8 1/8	3 1/2	3 1/2	2 1/4	1/4 X 1/2
2SHE 1021	13	6	10 1/8	3 1/2	3 1/2	2 1/4	1/4 X 1/2
2SHE 1221	15	6 1/8	12 1/4	3 1/2	3 1/2	2 1/4	1/4 X 1/2
2SHE 1621	19	8 3/8	16 1/8	3 1/2	3 1/2	2 1/4	1/4 X 1/2
2SHE 1871	21	9	18 1/8	3 1/2	3 1/2	2 1/4	1/4 X 1/2
2SHE 20B1W	23	10 1/4	20 1/8	3 1/2	3 1/2	2 1/4	1/4 X 1/2
2SHE 24B1W	27	9 7/8	24 1/8	3 1/2	3 1/2	2 1/4	1/4 X 1/2
2SHE 30C1	33	13 1/2	30	3 1/2	3	3	1/4 X 1/2
2SHE 36D1	39	13 1/2	36	3 1/2	3	3	1/4 X 1/2

Dimensions in inches

# Wiring CONNECTIONS

COM - WHITE  
HIGH - BLACK

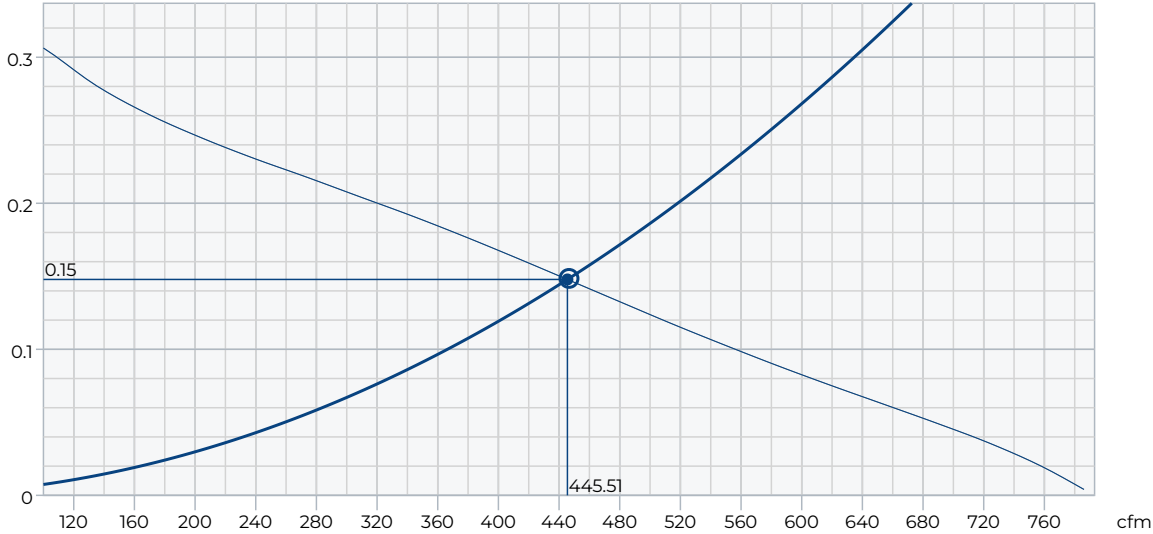
WHITE → LINE 1

BLACK → LINE 2

## CCW LEAD END ROTATION

### Performance curve

in. wg.



#### Performance data

Required air flow	447 cfm
Required static pressure	0.15 in. wg.
Working air flow	446 cfm
Working static pressure	0.15 in. wg.
Air density	0.075 lb/ft <sup>3</sup>
Power	103 W
Fan control - RPM	1,570 rpm
Airflow efficiency	4.3 cfm/W

#### Sound power level

	63	125	250	500	1k	2k	4k	8k	Total
Inlet	35	55	43	56	56	57	54	44	63

## AHU Accessories

5ACC03SC Speed control (47185)

FTD7 7-day digital timer (49792)

PT6 Attic Thermostat (494085)

FH 20 Dehumidistat (410727)

5ACC 01MS Motor disc. switch (47182)

## Documents

481810 2SHE OIPM EN.PDF

2SHE Submittal Sheet EN.pdf

47098.dxf