

Technical parameters

Nominal data

Voltage (nominal)	115	V
Frequency	60	Hz
Phases	1~	
Input power	330	W
Nominal power at shaft (P2)	0.2	hp
Current	3.9 to 4.1	A
Input current	3.37	A
Impeller speed	1,150	rpm
Air flow	max 3,413	cfm
Temperature of transported air	max 104	°F

Protection/Classification

Insulation class	B
------------------	---

Dimensions and weights

Weight	36	lb
--------	----	----

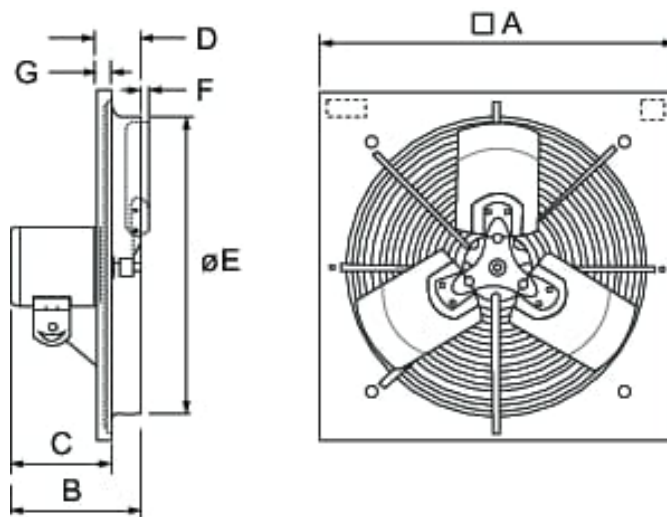
Optional

Motor type	AC
------------	----

Technical parameters

Nominal data	
Voltage (nominal)	115 V
Frequency	60 Hz
Phases	1~
Input power	330 W
Nominal power at shaft (P2)	0.2 hp
Current	3.9 to 4.1 A
Input current	3.37 A
Impeller speed	1,150 rpm
Air flow	max 3,413 cfm
Temperature of transported air	max 104 °F
Protection/Classification	
Insulation class	B
Dimensions and weights	
Weight	36 lb
Optional	
Motor type	AC

Dimensions



Model	A	B	C	D	E
2VLD 1221	16 (406)	5 3/16 (132)	3 11/16 (94)	2 1/2 (64)	12 3/8 (314)
2VLD 1661	20 (508)	6 3/16 (157)	4 7/16 (113)	2 3/4 (70)	16 7/16 (418)
2VLD 18B1	22 (559)	8 (203)	6 1/16 (154)	2 15/16 (75)	18 7/16 (468)
2VLD 20B1	24 (610)	9 5/8 (244)	7 1/2 (191)	3 3/16 (81)	20 1/2 (521)
2VLD 24B1	28 (711)	8 1/2 (216)	6 (152)	3 5/8 (92)	24 3/8 (619)

Dimensions in inches (mm)

Wiring

CONNECTIONS

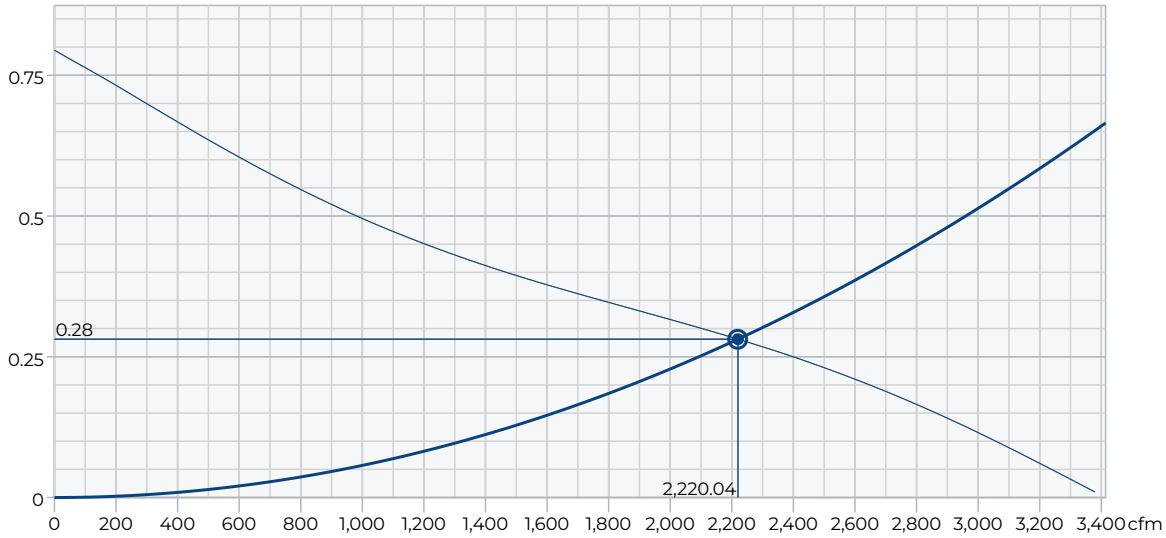
COM - WHITE
HIGH - BLACK

WHITE —● LINE 1

BLACK —● LINE 2

Performance curve

in. wg.



Performance data

Required air flow	2,219 cfm
Required static pressure	0.28 in. wg.
Working air flow	2,220 cfm
Working static pressure	0.28 in. wg.
Air density	0.075 lb/ft ³
Power	260 W
Fan control - RPM	1,150 rpm
Airflow efficiency	8.6 cfm/W

Sound power level

		63	125	250	500	1k	2k	4k	8k	Total
Inlet	dB(A)	48	60	68	71	71	69	65	57	76

AHU Accessories

5ACC06SC Speed control (47189)

FTD7 7-day digital timer (49792)

PT6 Attic Thermostat (494085)

FH 20 Dehumidistat (410727)

5ACC 01MS Motor disc. switch (47182)

Documents

481803 VLD OIPM EN.pdf

47118.dxf