



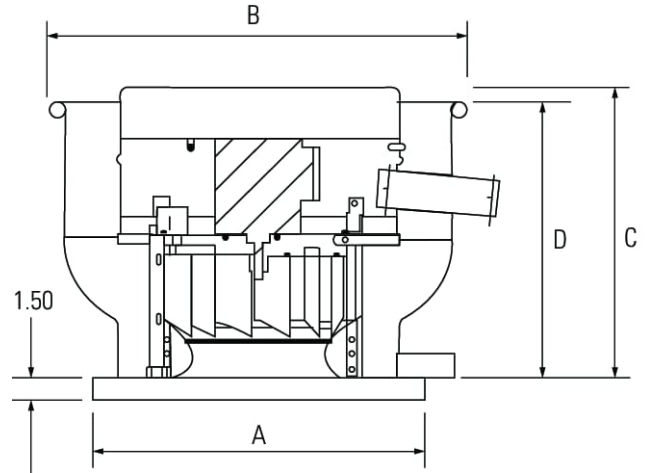
Direct Drive Upblast Power Roof Ventilators

- All ventilators are listed to UL 705
- Operable in air stream temperatures up to 300°F
- Backward inclined aluminum fan wheel
- Externally cooled motor compartment
- Fully welded windband

Technical parameters

Nominal data	
Voltage (nominal)	115 V
Frequency	60 Hz
Phases	1~
Input power	186 W
Input current	2.7 A
Impeller speed	1,725 rpm
Air flow	max 1,051 cfm
Temperature of transported air	max 300 °F
Protection/Classification	
Enclosure class, motor	IP54
Insulation class	B
Certificate	AMCA Air, AMCA Sound, UL Standard 705 & 762, Complies with NFPA 96
Dimensions and weights	
Weight	39 lb
Optional	
Motor type	AC

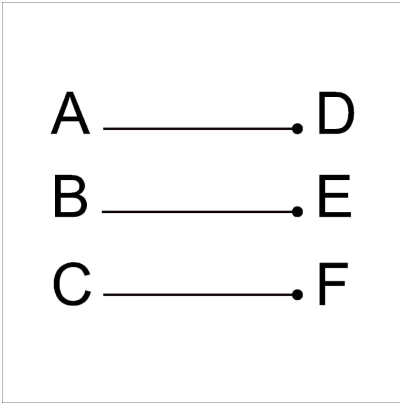
Dimensions



Model	A	B	C	D
5DDU 085AY	19	20 1/2	12 1/8	10
5DDU 106A	19	23 7/8	18 7/8	16 7/8
5DDU 10AA	19	23 7/8	18 7/8	16 7/8
5DDU 12CA	22	26 1/8	19 5/8	17 3/4
5DDU 13DB	22	27 7/8	20 3/4	18 1/2
5DDU 15CA	26	29 7/8	22	19 3/8
5DDU 16DB	26	31 3/4	22 3/4	20 1/8
5DDU 18EB	30	34	24	21 1/8

Dimensions in inches

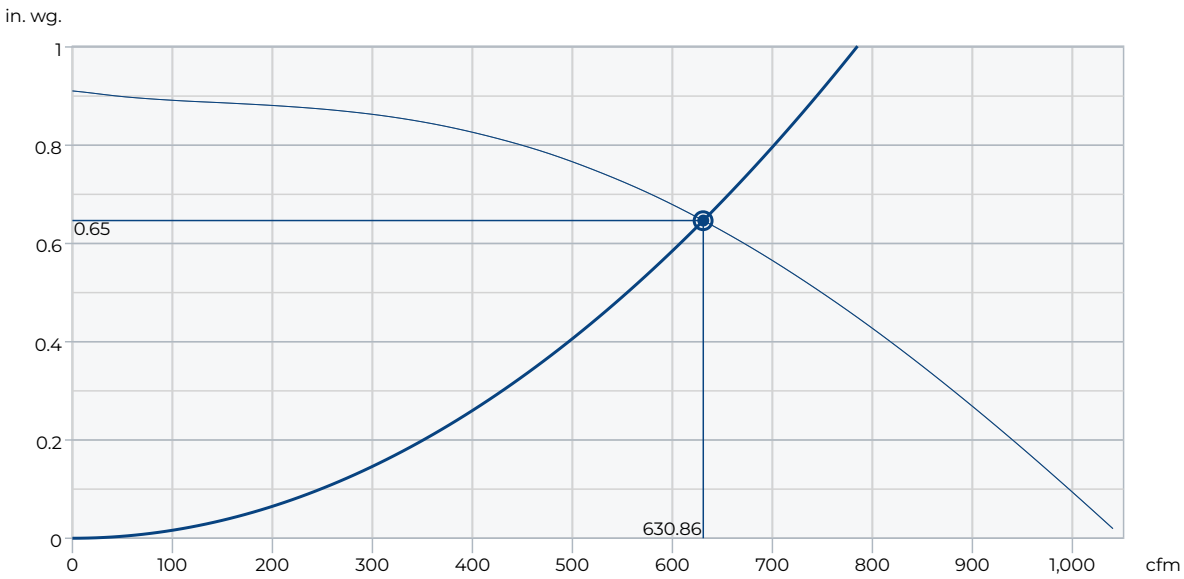
Wiring



- A** White
- B** Black
- C** Green
- D** Line 1
- E** Line 2
- F** Ground

CW lead end rotation

Performance curve



Performance data

Required air flow	631 cfm
Required static pressure	0.65 in. wg.
Working air flow	631 cfm
Working static pressure	0.65 in. wg.
Air density	0.075 lb/ft ³
Power	186 W
Fan control - RPM	1,725 rpm
Airflow efficiency	3.4 cfm/W
Control voltage	115.0 V
Supply voltage	115 V

Sound power level

	63	125	250	500	1k	2k	4k	8k	Total
Inlet	46	60	68	67	63	62	59	51	72

AHU Accessories

- 5ACC03SC Speed control (47185)
- 5ACC00HK Hinge Kit (47179)
- 5ACC12RD Roof Mount Damper (47196)
- 5ACC17FT Fixed Non-Vented Curb (47207)

- 5ACC 01MS Motor disc. switch (47182)
- 5ACC00GC Grease Collector (47178)
- 5ACC17FS Fixed Non-Vented Curb (47206)
- 5ACC17VC Fixed Vented Curb (47208)

Documents

- 481806 PRV OIPM EN
- 5DDU Submittal Sheet EN.pdf
- 47335.dxf