



DDU Roof ventilators

Direct Drive Upblast Power Roof Ventilators

- All ventilators are listed to UL 705
- Operable in air stream temperatures up to 300°F
- Backward inclined aluminum fan wheel
- Externally cooled motor compartment
- Fully welded windband

Suitable for Kitchen Exhaust

With the capability to handle air stream temperatures up to 300°F, these roof fans are suitable for heavy-duty applications such as commercial kitchen exhaust.

High performance

Features a backward-inclined aluminum fan wheel that enhances air movement and pressure generation to ensure efficient exhaust.

Certifications



AMCA Worldwide Certified Ratings: Sound and Air Performance

Systemair certifies that the model shown herein is licensed to bear the AMCA Seal. The ratings shown are based on tests and procedures performed in accordance with AMCA Publication 211 and AMCA Publication 311 and comply with the requirements of the AMCA Certified Ratings Program. Check the AMCA Certified and Listed Product Search for our products.



UL Listed

This product is Listed by UL. UL has rigorously tested and confirmed that this product meets all of their stringent requirements. Search the UL Product iQ directory for more information about our listed products.

Technical parameters

Nominal data

Voltage (nominal)	115	V
Rated voltage	115 to 230	V
Frequency	60	Hz
Phases	1~	
Input power	476	W
Input current	4	A
Impeller speed	1690	rpm
Air flow	max 2411	cfm
Temperature of transported air	max 300	°F

Protection/Classification

Insulation class	B
Certificate	AMCA Air, AMCA Sound, UL Standard 705 & 762, Complies with NFPA 96

Dimensions and weights

Weight	29.483	kg
--------	--------	----

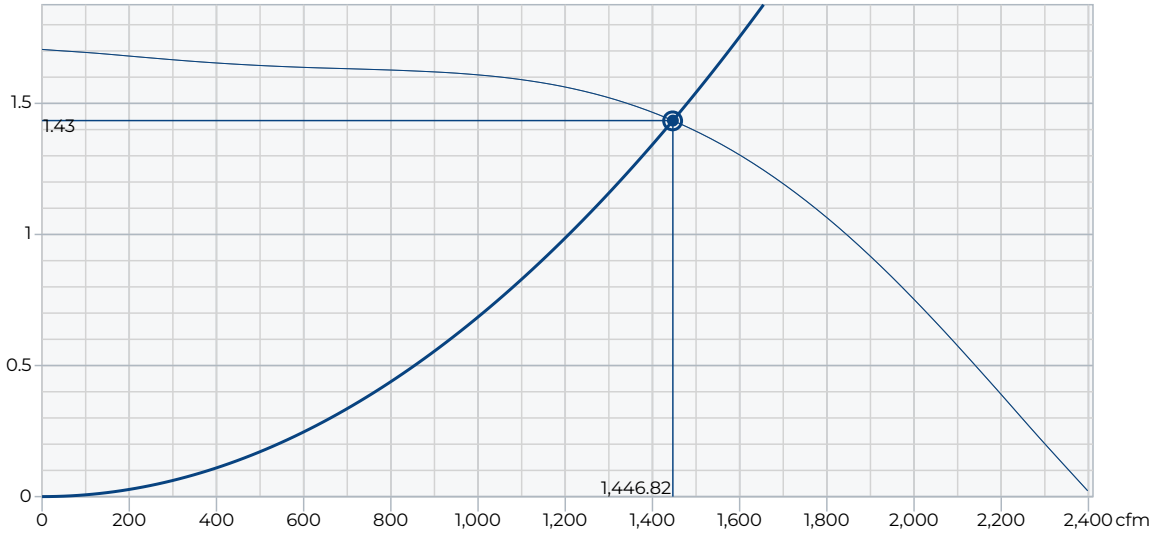
Optional

Motor type	AC
------------	----

Performance

Performance curve

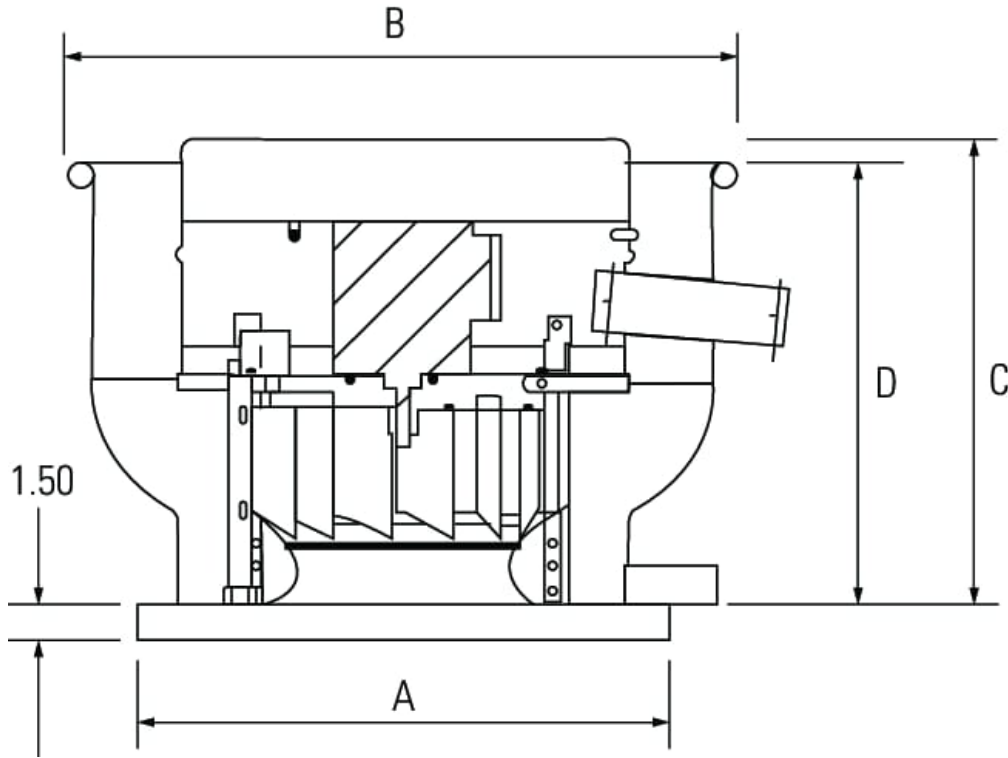
in. wg.



Performance data

Required air flow	1,446 cfm
Required static pressure	1.43 in. wg.
Working air flow	1,447 cfm
Working static pressure	1.43 in. wg.
Air density	0.075 lb/ft ³
Power	464 W
Fan control - RPM	1,690 rpm
Airflow efficiency	3.1 cfm/W
Control voltage	115.0 V
Supply voltage	115 V

Dimension

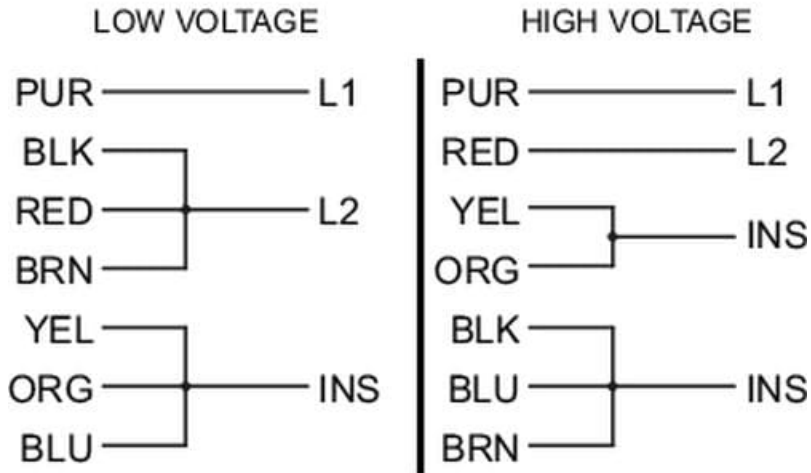


Model	A	B	C	D
5DDU 085AY	19	20 1/2	12 1/8	10
5DDU 106A	19	23 7/8	18 7/8	16 7/8
5DDU 10AA	19	23 7/8	18 7/8	16 7/8
5DDU 12CA	22	26 1/8	19 5/8	17 3/4
5DDU 13DB	22	27 7/8	20 3/4	18 1/2
5DDU 15CA	26	29 7/8	22	19 3/8
5DDU 16DB	26	31 3/4	22 3/4	20 1/8
5DDU 18EB	30	34	24	21 1/8

Dimensions in inches

Wiring

INTERNAL CONNECTIONS



MOTOR IS CW ROTATION LEAD END
 3 CONDUCTOR SJTOW CORD
 EXTENDS FROM JUNCTION BOX
 (BLACK, WHITE, & GREEN)

AHU Accessories

- 5ACC 01MS Motor disc. switch (47182)
- 5ACC00HK Hinge Kit (47179)
- 5ACC20FS Fixed Non-Vented Curb (47212)
- 5ACC20VC Fixed Vented Curb (47214)
- 5ACC00GC Grease Collector (47178)
- 5ACC15RD Roof Mount Damper (47203)
- 5ACC20FT Fixed Non-Vented Curb (47213)

Documents

- 47339.dxf
- 5DDU Submittal Sheet EN.pdf
- 481806 PRV OIPM EN