



DDD Roof ventilators

Direct Drive Downblast Power Roof Ventilators

- All ventilators are UL 705 listed
- One-piece removable exhaust hood
- Inlet temperatures up to 170°F
- Backward inclined aluminum fan wheel
- Equipped with a built-in bird screen to protect discharge
- Externally cooled motor compartment

Efficient Heat Dissipation

The externally cooled motor compartment helps dissipate heat generated during operation, preventing overheating and prolonging motor lifespan.

Robust Protection

Equipped with a built-in bird screen, the ventilators prevent the entry of birds, insects, and debris, maintaining the cleanliness and efficiency of the ventilation system.

Certifications



AMCA Worldwide Certified Ratings: Sound and Air Performance

Systemair certifies that the model shown herein is licensed to bear the AMCA Seal. The ratings shown are based on tests and procedures performed in accordance with AMCA Publication 211 and AMCA Publication 311 and comply with the requirements of the AMCA Certified Ratings Program. Check the AMCA Certified and Listed Product Search for our products.



UL Listed

This product is Listed by UL. UL has rigorously tested and confirmed that this product meets all of their stringent requirements. Search the UL Product iQ directory for more information about our listed products.

Technical parameters

Nominal data

Voltage (nominal)	115	V
Rated voltage	115 to 230	V
Frequency	60	Hz
Phases	1~	
Input power	545	W
Input current	3.1	A
Impeller speed	1143	rpm
Air flow	max 2913	cfm
Temperature of transported air	max 170	°F

Protection/Classification

Enclosure class, motor	IP54
Insulation class	B
Certificate	AMCA Air, AMCA Sound, UL Standard 705 & 762, Complies with NFPA 96

Dimensions and weights

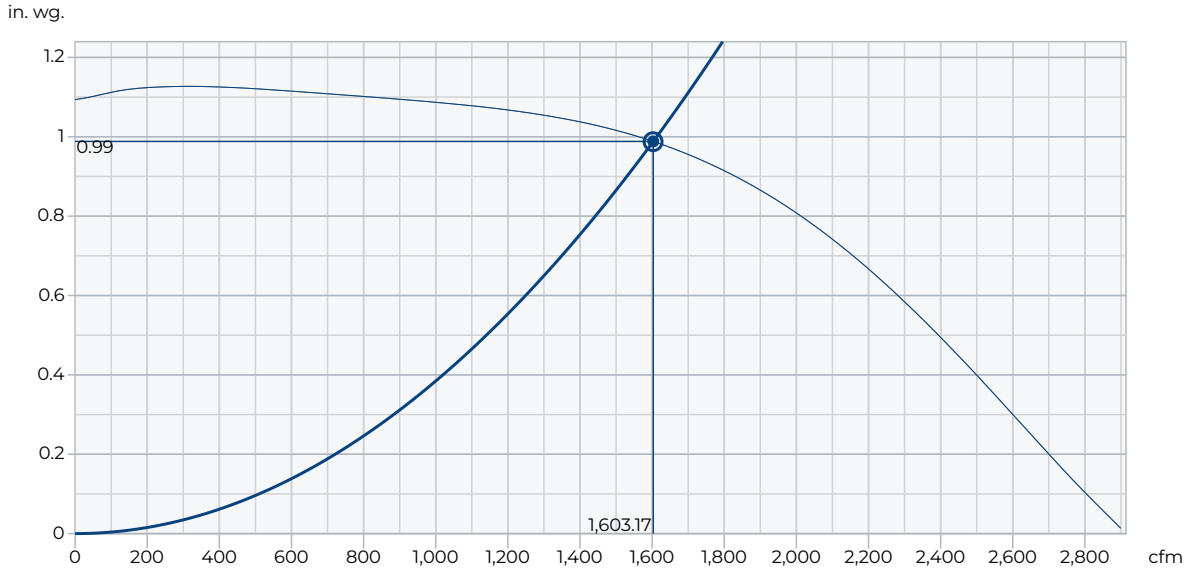
Weight	48.081	kg
--------	--------	----

Optional

Motor type	AC
------------	----

Performance

Performance curve



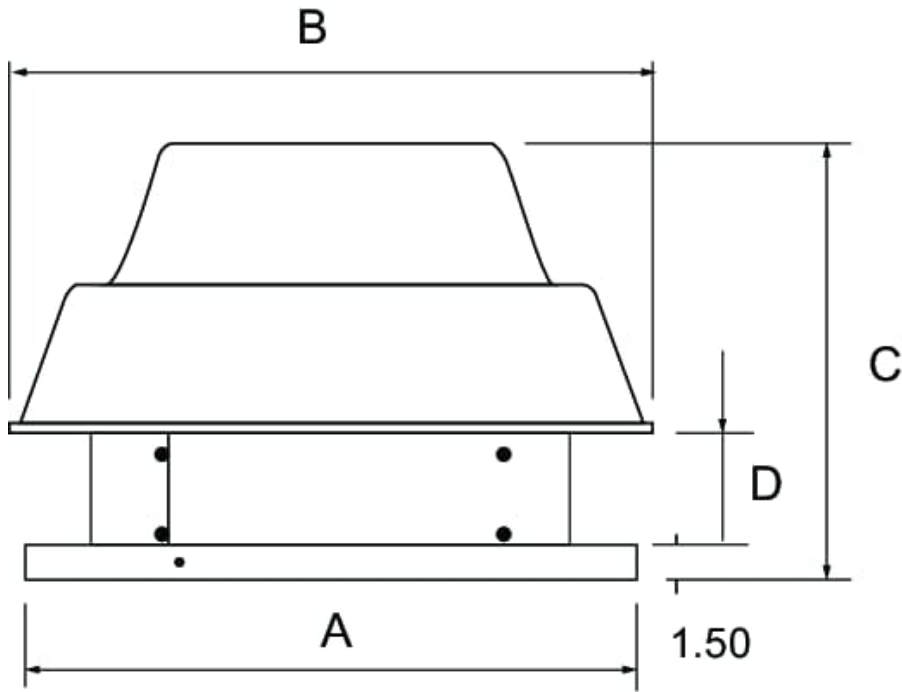
Performance data

Required air flow	1,603 cfm
Required static pressure	0.99 in. wg.
Working air flow	1,603 cfm
Working static pressure	0.99 in. wg.
Air density	0.075 lb/ft ³
Power	506 W
Fan control - RPM	1,143 rpm
Airflow efficiency	3.2 cfm/W

Sound power level

		63	125	250	500	1k	2k	4k	8k	Total
Inlet	dB(A)	46	61	77	74	68	70	67	57	80

Dimension

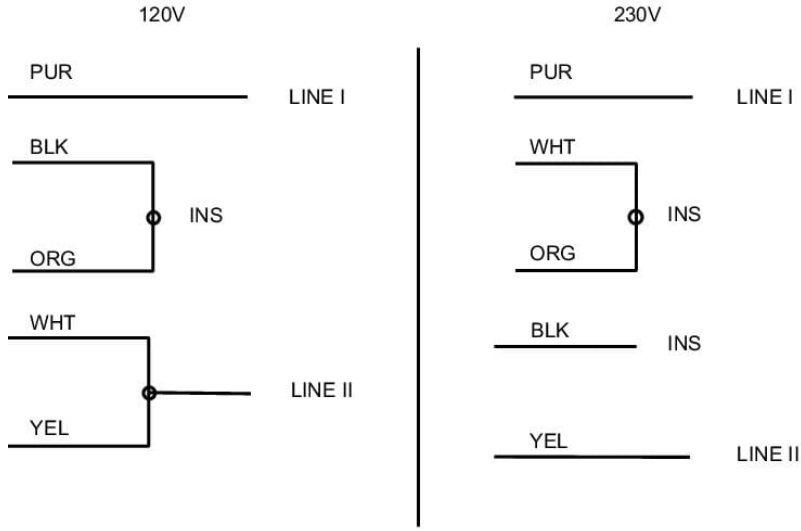


Model	A	B	C	D
5DDD 085A	19	18 7/8	13 1/4	3 1/2
5DDD 106A	19	22 3/8	16 1/2	3 3/8
5DDD 10AA	19	22 3/8	16 1/2	3 3/8
5DDD 12CA	22	24 1/4	17 1/8	4
5DDD 13DB	22	25 5/8	18 1/8	4 3/8
5DDD 15CA	26	27 7/8	18 1/2	4 3/8
5DDD 16DB	26	29 3/4	20 1/4	4 3/4
5DDD 18EB	30	31 5/8	21 3/8	5 5/8

Dimensions in inches

Wiring

CONNECTIONS



**MOTOR IS NON-REVERSIBLE
CCW ROTATION SHAFT END**

AHU Accessories

- 5ACC 01MS Motor disc. switch (47182)
- 5ACC24FS Fixed Non-Vented Curb (47217)
- 5ACC19RD Roof Mount Damper (47210)
- 5ACC24FT Fixed Non-Vented Curb (47941)

Documents

- 47401.dxf
- 5DDD Submittal Sheet
- 481806 PRV OIPM EN