

prioAir

Low to moderate airflow resin fans for various applications

- 100% Leak-Free Housing
- Up to 7.0 cfm/W of Efficacy
- Quiet Operation
- Comes with Mounting Bracket

High Efficiency

These inline duct fans boast a high efficacy (cfm/W) ratio, which means they can move large volumes of air with minimal energy consumption.

Versatile Installation

Designed for indoor use, these inline duct fans fit seamlessly into false or drop ceilings, offering flexible installation options within conditioned spaces.

Reliability and Durability

These inline duct fans prioritize safety and reliability. They have a 100% leak-free design and built-in thermal overload protection.

High Efficacy

Designed to ensure high-level performance and minimize power consumption to ensure moderate fan efficacy (up to 7 cfm/W).

Certifications



AMCA Worldwide Certified Ratings: Sound and Air Performance

Systemair certifies that the model shown herein is licensed to bear the AMCA Seal. The ratings shown are based on tests and procedures performed in accordance with AMCA Publication 211 and AMCA Publication 311 and comply with the requirements of the AMCA Certified Ratings Program. Check the AMCA Certified and Listed Product Search for our products.



UL Listed

This product is Listed by UL. UL has rigorously tested and confirmed that this product meets all of their stringent requirements. Search the UL Product iQ directory for more information about our listed products.

Technical parameters

Nominal data

Voltage (nominal)	120	V
Frequency	60	Hz
Phases	1~	
Input power	37	W
Input current	0.312	A
Impeller speed	2754	rpm
Air flow	max 295	cfm
Temperature of transported air	max 131	°F

Protection/Classification

Enclosure class, motor	IP44	
Insulation class	B	

Dimensions and weights

Duct dimension; Circular, inlet	6	in.
Duct dimension; Circular, inlet	6	in.
Duct dimension; Circular, outlet	6	in.
Weight	1.5	kg

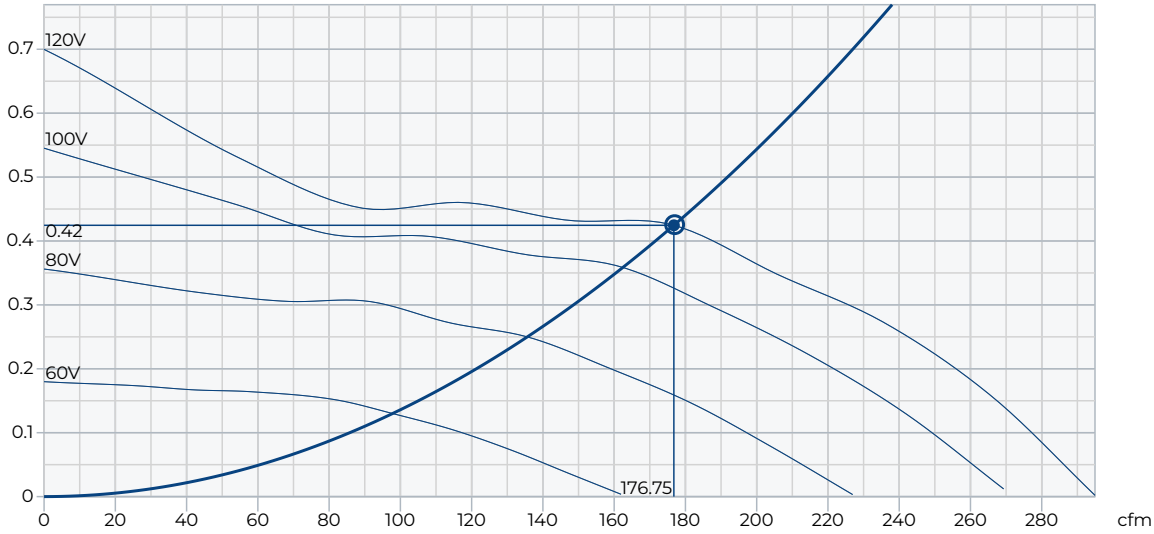
Optional

Duct connection type	Circular	
Color name, casing	Black	
Motor type	AC	
Material	Plastic	

Performance

Performance curve

in. wg.



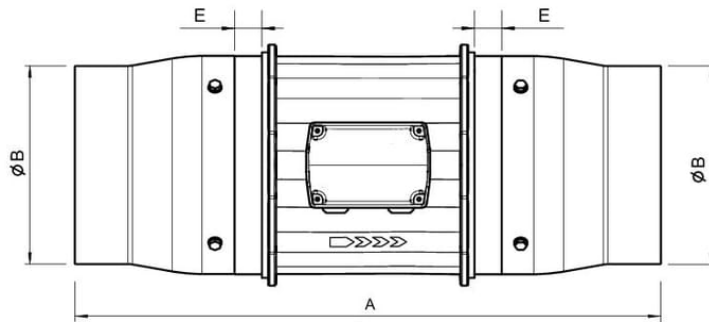
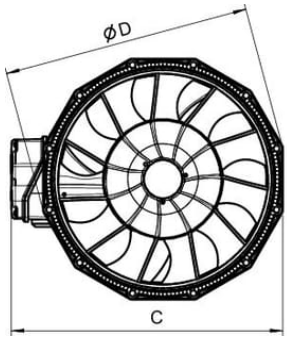
Performance data

Required air flow	177 cfm
Required static pressure	0.43 in. wg.
Working air flow	177 cfm
Working static pressure	0.42 in. wg.
Air density	0.075 lb/ft ³
Power	37 W
Fan control - RPM	2,764 rpm
Current	0.31 A
Airflow efficiency	4.8 cfm/W
Control voltage	120.0 V
Supply voltage	120 V

Sound power level

		63	125	250	500	1k	2k	4k	8k	Total
Inlet	dB(A)	57	53	66	62	55	47	43	28	68

Dimension

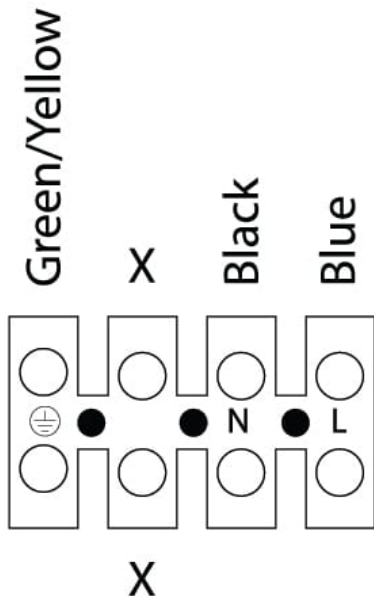


Model	A	B	C	D	E
prioAIR® 6 / 6 EC	16 3/16 (411)	5 7/8 (149)	8 1/4 (210)	7 3/8 (187)	1 5/8 (41)

Dimensions are in inches (mm).

Wiring

Motor Side



Field Wiring Side

Factory Motor Wiring (For reference only)	Terminal Marking	Field Marking (to be completed by installer)
Color	Function	
Blue	L	Power supply 120VAC, 50/60 Hz
Black	N	Neutral conductor
Green/Yellow	PE	Protective conductor

AHU Accessories

- DHS 05 Humidity/Fan control (494044)
- IPF05 Speed control (484164)
- HS 6W External Louver Exhaust (45153)
- RSK 6 Backdraft Damper (411114)
- FC 6 Mounting Clamps (2 pcs) (411120)
- WC 15 Speed control (411102)
- PT6 Attic Thermostat (494085)
- FB 6 Inline Filter Box MERV13 (40304)
- LD 6 Silencer (411284)

Documents

- E1474 prioAIR® EN
- prioAIR® AC CSI Specification
- 484065 prioAIR® IOM