



prioAir

Low to moderate airflow resin fans for various applications

- 100% Leak-Free Housing
- Up to 7.0 cfm/W of Efficacy
- Quiet Operation
- Comes with Mounting Bracket

High Efficiency

These inline duct fans boast a high efficacy (cfm/W) ratio, which means they can move large volumes of air with minimal energy consumption.

Versatile Installation

Designed for indoor use, these inline duct fans fit seamlessly into false or drop ceilings, offering flexible installation options within conditioned spaces.

Reliability and Durability

These inline duct fans prioritize safety and reliability. They have a 100% leak-free design and built-in thermal overload protection.

High Efficacy

Designed to ensure high-level performance and minimize power consumption to ensure moderate fan efficacy (up to 7 cfm/W).

Certifications



UL Listed

This product is Listed by UL. UL has rigorously tested and confirmed that this product meets all of their stringent requirements. Search the UL Product iQ directory for more information about our listed products.



AMCA Worldwide Certified Ratings: Sound and Air Performance

Systemair certifies that the model shown herein is licensed to bear the AMCA Seal. The ratings shown are based on tests and procedures performed in accordance with AMCA Publication 211 and AMCA Publication 311 and comply with the requirements of the AMCA Certified Ratings Program. Check the AMCA Certified and Listed Product Search for our products.

Technical parameters

Nominal data

Voltage (nominal)	120	V
Frequency	60	Hz
Phases	1~	
Input power	125	W
Input current	1.8	A
Impeller speed	3619	rpm
Air flow	max 373	L/s
Temperature of transported air	55	°C

Protection/Classification

Enclosure class, motor	IP44
Insulation class	B

Dimensions and weights

Duct dimension; Circular, inlet	8	in.
Duct dimension; Circular, inlet	8	in.
Duct dimension; Circular, outlet	8	in.
Weight	3.4	kg

Optional

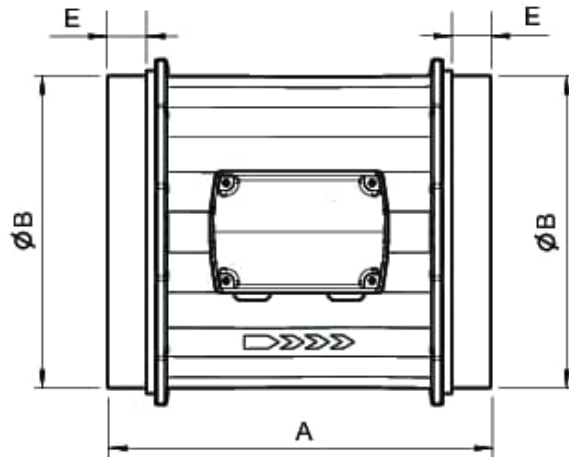
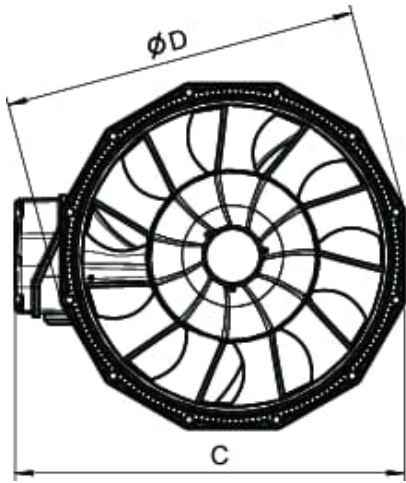
Duct connection type	Circular
Color name, casing	Black
Motor type	EC
Material	Plastic

Performances

CFM Table

Model	0.0" Ps	0.2" Ps	0.4" Ps	0.6" Ps	0.8" Ps	1.0" Ps	1.5" Ps
prioAIR® 6 EC	443	418	387	352	313	261	-
prioAIR® 8 EC	791	745	702	656	604	534	185
prioAIR® 10 EC	1237	1156	1079	997	900	769	118

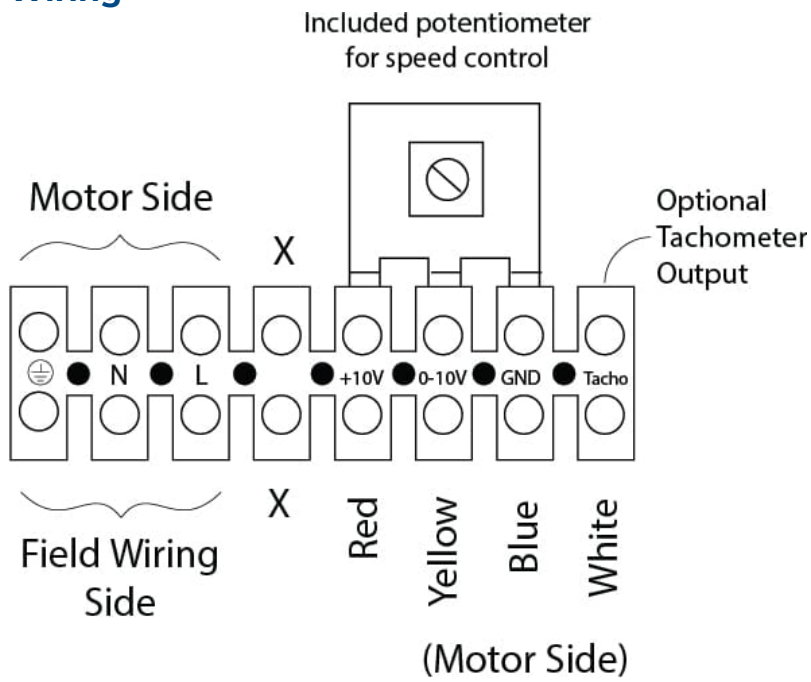
Dimension



	A	B	C	D	E
prioAIR® 8 / 8 EC	9 11/16 (246)	7 7/8 (200)	9 3/4 (248)	9 (229)	1 (25)
prioAIR® 10 / 10 EC	11 11/16 (297)	9 13/16 (249)	11 15/16 (303)	11 1/16 (281)	1 3/16 (30)

All dimension in inches (mm).

Wiring



Factory Motor Wiring(For reference only)

Color

Brown

Blue

Green/Yellow

Red

Yellow

Blue

White

Terminal Marking

Function

L

N

PE

+10V

10V / PWM

GND

Tacho

Field marking (to be completed by installer)

Power supply 120VAC, 50/60Hz

Neutral Conductor

Protective Conductor

Voltage Output 10V/1.1 mA, Electrically Isolated

Controller Input 0..10V or PWM, Electrically Isolated

GND- Connection to the Controller Interface

Speed Output: Open Collector, 1 Impulse per revolution, Electrically Isolated
Isink_max=10mA

Control Option Wiring Diagrams can be found under the DOCUMENTS tab.

AHU Accessories

- ADC 8 Shut-off Damper w Motor (44690)
- FGR 8HV Filter Cassette (98004)
- IR8 Iris Damper (411237)
- FML 8 (45148)
- EC-10V Speed control (498148)
- RSK 8 Backdraft Damper (411115)
- LD 8 Silencer (411125)
- FC 8 Mounting Clamps (411121)

Documents

- E1474 prioAIR® EN
- Control Option for prioAIR® 6-10 EC
- prioAIR® EC CSI Specification
- 484065 prioAIR® IOM