



BDU Roof ventilators

Belt Drive Upblast Power Roof Ventilators

- All ventilators are UL 705 listed for electrical and UL 762 listed for restaurant exhaust in the USA only
- Models 5BDU10 - 5BDU24 are suitable for wall application
- Inlet temperatures up to 300°F
- Fully welded windband
- Externally cooled motor compartment

Safety Compliant

UL 705 listed for electrical safety and UL 762 listed for restaurant exhaust, meeting rigorous industry standards for safety and performance.

Versatile Installation

Models 5BDU10 - 5BDU24 are suitable for wall applications. This provides flexibility in installation locations based on the requirements of the ventilation system.

Certifications



AMCA Worldwide Certified Ratings: Sound and Air Performance

Systemair certifies that the model shown herein is licensed to bear the AMCA Seal. The ratings shown are based on tests and procedures performed in accordance with AMCA Publication 211 and AMCA Publication 311 and comply with the requirements of the AMCA Certified Ratings Program. Check the AMCA Certified and Listed Product Search for our products.



UL Listed

This product is Listed by UL. UL has rigorously tested and confirmed that this product meets all of their stringent requirements. Search the UL Product iQ directory for more information about our listed products.

Technical parameters

Nominal data

Voltage (nominal)	230	V
Frequency	60	Hz
Phases	1~	
Air flow	max 1725	cfm
Temperature of transported air	max 300	°F

Protection/Classification

Insulation class	B	
------------------	---	--

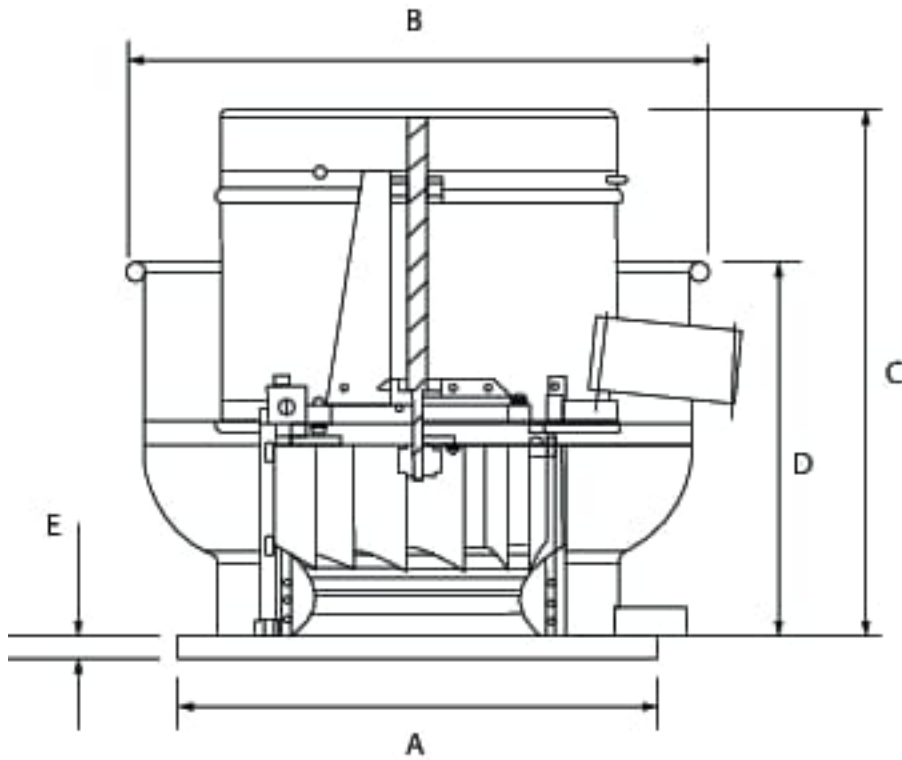
Dimensions and weights

Weight	29.937	kg
--------	--------	----

Optional

Motor type	AC	
------------	----	--

Dimension



Model	A	B	C	D	E
5BDU 10	19	23 7/8	23 3/8	16 7/8	1 1/2
5BDU 12	22	26 1/2	24 1/4	17 3/4	1 1/2
5BDU 13	22	27 7/8	24 5/8	18 1/2	1 1/2
5BDU 15	26	29 7/8	27 3/8	19 3/8	1 1/2
5BDU 16	26	31 3/4	27 3/4	20 1/8	1 1/2
5BDU 18	30	34	29 7/8	21 1/8	1 1/2
5BDU 20	30	36 1/2	30 1/4	22	1 1/2
5BDU 24	34	42 3/8	33	24 1/2	1 1/2
5BDU 30	42	49 1/2	38 3/4	27 1/2	1 1/2
5BDU 36	46	58 1/2	42 7/8	31 1/2	1 1/2

Dimensions are in inches.

AHU Accessories

- 5ACC 01MS Motor disc. switch (47182)
- 5ACC00HK Hinge Kit (47179)
- 5ACC20FS Fixed Non-Vented Curb (47212)
- 5ACC20VC Fixed Vented Curb (47214)
- DP-13"-CB Drive Pack (48996)
- DP-13"-DX Drive Pack (49000)
- MOT CB- 4526 PACKAGED 1/3HP, 49909 (49909)
- MOT DX - 1416 PACKAGED 1/2HP, 49911 (49911)
- 5ACC00GC Grease Collector (47178)
- 5ACC15RD Roof Mount Damper (47203)
- 5ACC20FT Fixed Non-Vented Curb (47213)
- DP-13"-BB Drive Pack (48995)
- DP-13"-DB Drive Pack (48997)
- MOT BB - 4525 PACKAGED 1/4HP, 49907 (49907)
- MOT DB- 4527 PACKAGED 1/2HP, 49910 (49910)

Documents

- 49802.dxf
- 5BDU Submittal Sheet EN
- 481806 PRV OIPM EN