



Fan Controls Fan Controls

Accessories that help achieve energy savings by controlling on demand

We offer controls designed for all inline duct fans:

- Speed controls
- Electronic timers
- Thermostats
- Switches
- Dehumidistats

Explore the range in the dropdown menu.

EC-10V Speed Control

The EC-10V potentiometer infinitely controls the fan speed of inline duct fans such as FG.. EC, FKD.. EC, prioAIR.. EC via a stepless control signal by adjusting the rotary knob.

Supply voltage: 10V DC.

Output voltage: 0V (OFF) to 10V (FULL SPEED).

The EC-10V is shipped without a décor plate. The décor plate is standard.

WC / RPE Speed Control

WC and RPE are heavy-duty rotary-type variable speed controllers with an ON/OFF switch.

Supply voltage: 120V/1~ (230V/1~)

Output voltage: varies

Amperage: 5A, 10A, 15A (120V) and 10A (230V)

Brushed aluminum switch plate and screws are included.

IPF05 Fan Speed Control

The IPF05 speed control features a low-profile fluid slide bar movement for fine adjustment of fan speeds.

Easy-to-use ON/OFF preset switch controls the fan without disturbing your favorite pre-selected settings.

Built-in LED locator light illuminates when the load is off.

Designed for both single-pole (one-location) and 3-way (multi-location) applications. RFI noise suppression.

Ivory and Light Almond color change kits are included.

IPF05 was sold as 6637-PW in the past.

PT6

The PT6 is designed to efficiently decrease attic heat and moisture, triggered by temperature changes.

- Adjustable temperature range: 60°–120° F (16°–49° C)
- Galvanized steel housing
- Wired for fast and easy installation
- 15 amps
- UL listed

This not only ensures a stable temperature in the attic space but also enhances the overall performance of the forced air system.

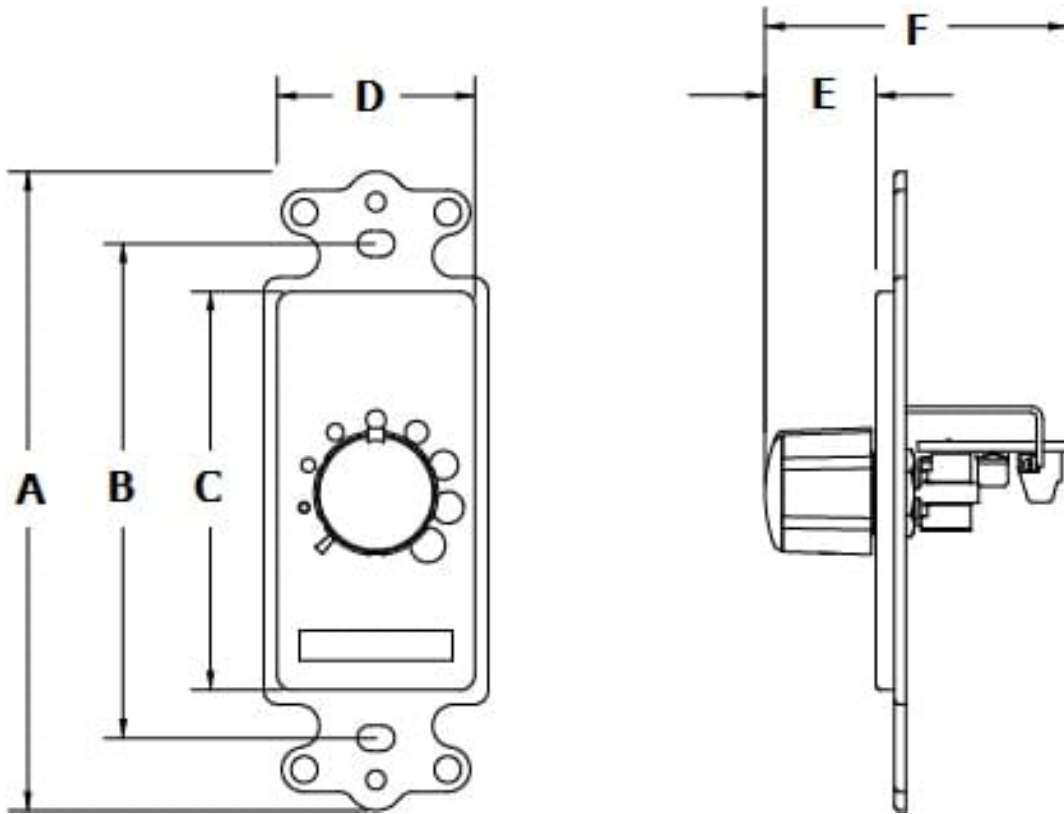
Recommended setting of 95°F (35°C).

Technical parameters

Dimensions and weights

Weight	0.1	kg
--------	-----	----

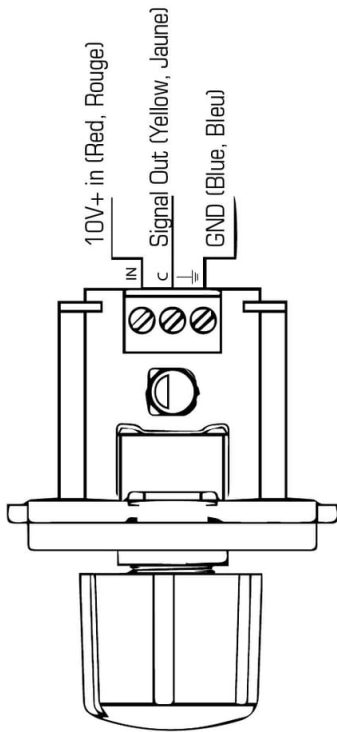
Dimension



Model	A	B	C	D	E	F
EC-10V	4 1/4	3 3/8	2 5/8	1 3/8	3/4	2

Dimensions are in inches.

Wiring



Documents

- EC-10V Series Spec Sheet EN
- EC-10V Wiring Diagram