

FKD Inline duct fans

Moderate to high airflow metal fans for various applications

- Mixed-flow impeller enabling high static pressure
- Built-in thermal overload protection with automatic reset
- Galvanized steel housing
- Operable in air stream temperatures up to 140°F
- Comes with mounting brackets for quick & easy installation
- Limited 5-year warranty

High Static Pressure

The mixed-flow impeller design enables the fan to overcome high static pressures, making it suitable for applications where airflow resistance is a concern.

Applications

Offices, hospitals, beauty salons, veterinary clinics, commercial bathrooms, and residential applications such as kitchen range hood exhausts.

Easy Installation and Reliability

The fan comes with fan brackets for quick and easy installation, streamlining the setup process for users.

Built-in Thermal Protection

Built-in thermal overload protection with automatic reset functionality prevents motor overheating and damage.

Certifications



AMCA Worldwide Certified Ratings: Sound and Air Performance

Systemair certifies that the model shown herein is licensed to bear the AMCA Seal. The ratings shown are based on tests and procedures performed in accordance with AMCA Publication 211 and AMCA Publication 311 and comply with the requirements of the AMCA Certified Ratings Program. Check the AMCA Certified and Listed Product Search for our products <https://www.amca.org/certify/#certified-product-search>



UL Listed

This product is Listed by UL. UL has rigorously tested and confirmed that this product meets all of their stringent requirements. Search the UL Product iQ directory for more information about listed products at <https://productiq.ulprospector.com/>

Technical parameters

Nominal data

Voltage (nominal)	120	V
Frequency	60	Hz
Phases	1~	
Input power	727	W
Input current	6.07	A
Impeller speed	1,525	rpm
Air flow	max 2,438	cfm
Temperature of transported air	max 140	°F

Protection/Classification

Enclosure class, motor	IP55	
Insulation class	F	

Dimensions and weights

Duct dimension; Circular, inlet	16	in.
Duct dimension; Circular, inlet	16	in.
Duct dimension; Circular, outlet	16	in.
Duct dimension; Circular, outlet	406	mm
Weight	49.9	lb

Optional

Duct connection type	Circular	
Motor type	AC	
Material	Metal	

Performances

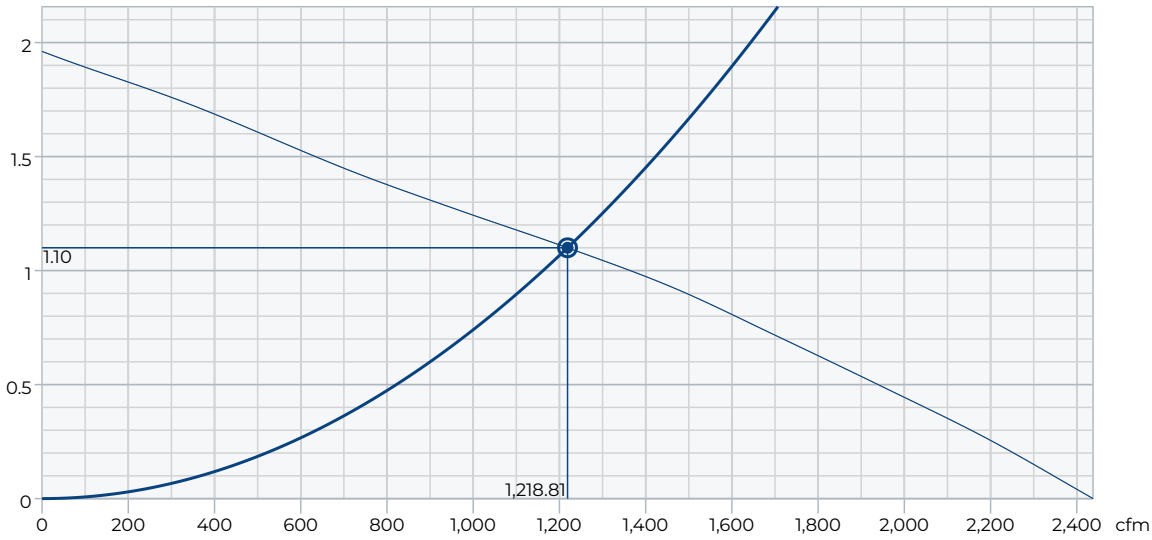
CFM Table

Model
FKD 8XL / KD 8XL
FKD 10 / KD 10
FKD 10XL / KD 10XL
FKD 12 / KD 12
FKD 12XL / KD 12XL
FKD 14 / KD 14
FKD 14XL / KD 14XL
FKD 16 / KD 16
FKD 16XL / KD 16XL
FKD 18 / KD 18
FKD 18XL / KD 18XL
FKD 20 / KD 20

Performance

Performance curve

in. wg.



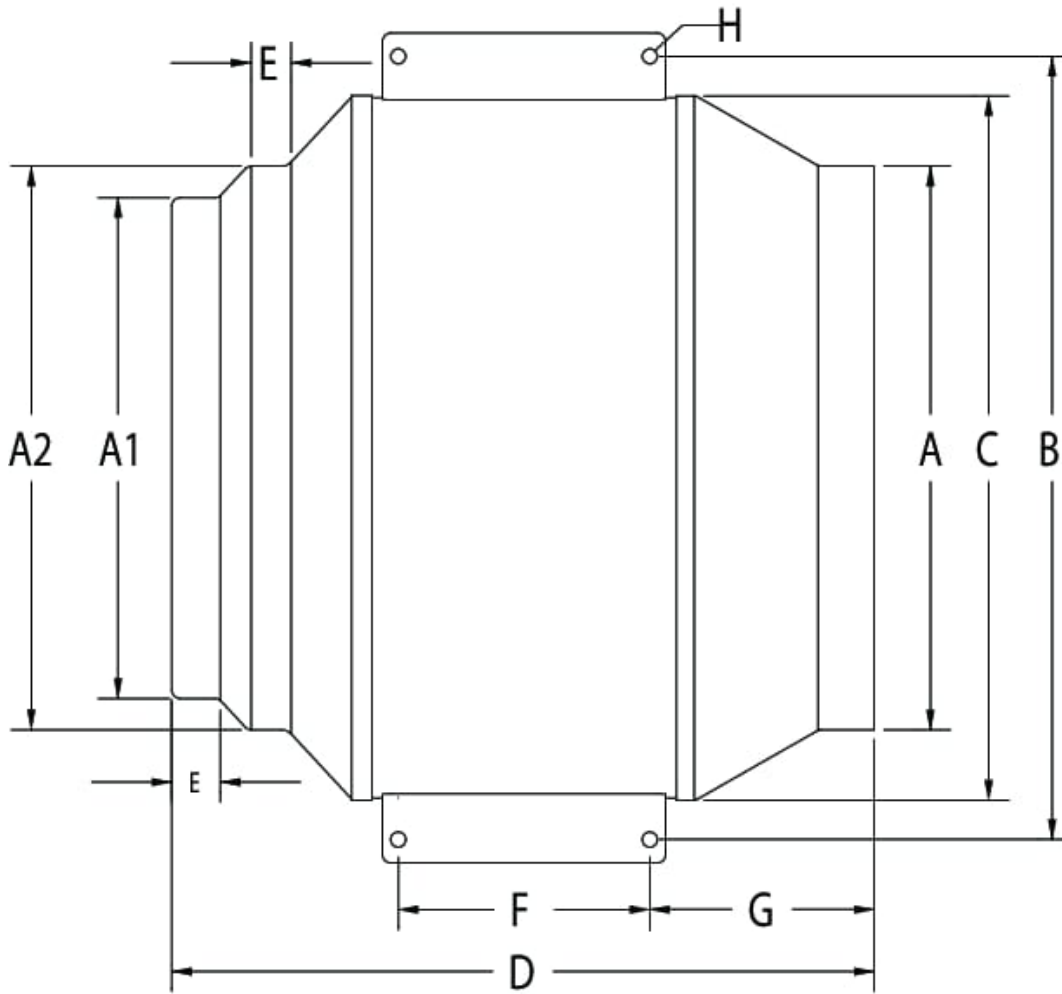
Performance data

Required air flow	1,219 cfm
Required static pressure	1.10 in. wg.
Working air flow	1,219 cfm
Working static pressure	1.10 in. wg.
Air density	0.075 lb/ft ³
Power	673 W
Fan control - RPM	1,514 rpm
Current	5.64 A
Airflow efficiency	1.8 cfm/W
Supply voltage	115 V

Sound power level

		63	125	250	500	1k	2k	4k	8k	Total
Inlet	dB(A)	55	64	69	70	71	71	65	57	77

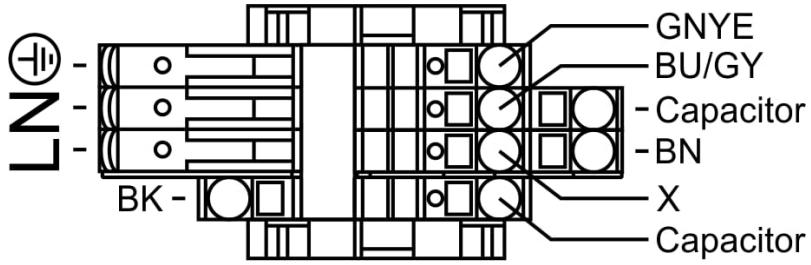
Dimensions



Model	A	A1	A2	B	C	D	E	F	G	H
FKD 12XL / KD 12XL	12 (305)	12 (305)	14 (356)	20 3/8 (518)	17 7/8 (454)	18 7/8 (479)	1 3/8 (35)	4 (102)	8 1/2 (216)	3/8 (10)
FKD 14 / KD 24	14 (356)	12 (305)	14 (356)	20 3/8 (518)	17 1/4 (438)	17 1/4 (438)	1 1/4 (32)	4 (102)	6 3/4 (171)	3/8 (10)
FKD 14XL / KD 14XL	14 (356)	14 (356)	15 5/8 (397)	22 3/8 (568)	19 3/4 (502)	20 1/4 (514)	1 1/2 (38)	4 (102)	8 3/4 (222)	3/8 (10)
FKD 16 / KD 16	15 5/8 (397)	14 (356)	15 5/8 (397)	22 3/8 (568)	19 3/4 (502)	18 3/4 (476)	1 1/2 (38)	4 (102)	7 1/8 (181)	3/8 (10)
FKD 16XL / KD 16XL	15 5/8 (397)	15 5/8 (397)	17 5/8 (448)	24 1/2 (622)	22 1/8 (562)	23 3/4 (603)	1 1/4 (32)	7 7/8 (200)	8 1/2 (216)	1/2 (13)
FKD 18 / KD 18	17 5/8 (448)	15 5/8 (397)	17 5/8 (448)	24 1/2 (622)	22 1/8 (562)	21 3/4 (552)	1 1/4 (32)	7 7/8 (200)	7 (178)	1/2 (13)
FKD 18XL / KD 18XL	17 5/8 (448)	17 5/8 (448)	19 5/8 (498)	28 1/2 (724)	26 (660)	27 1/4 (692)	1 3/4 (44)	7 7/8 (200)	10 1/2 (267)	1/2 (13)
FKD 20 / KD 20	19 5/8 (498)	17 5/8 (448)	19 5/8 (498)	28 1/2 (724)	26 (660)	27 1/4 (692)	1 3/4 (44)	7 7/8 (200)	10 1/2 (267)	1/2 (13)

Dimensions are in inches (mm).

Wiring



BU/GY - Blue or Grey BN - Brown
 GNYE - Green-Yellow BK - Black

AHU Accessories

- RPE 10 Speed control (411101)
- LD 16 Silencer (411288)
- IR 16 Iris Damper (411240)

Documents

- E2326 FG-FR-FKD BR EN pages
- 498379 FKD-KD IOM EN FR ES.pdf
- 498381 FKD/KD Submittal Sheet EN
- FKD-KD_CSI_SPECIFICATION.ZIP

CSI Specification

Please note that the CSI Specification has been moved under the Documentation Tab.