



SER Recovery ventilators

ERV for balanced ventilation in residential and commercial applications

- **Energy Recovery Ventilator (ERV)**
- Optional drain line
- External three-position switch (Low/Standby/High)
- Removable screw terminal for easy connection
- Dual service doors & reversible electrical box *
- Push-Pull configuration ** all except SER 150
- Limited stock remaining of the SER 150 ERV

Energy Efficiency

Facilitates energy savings by recovering energy from the building's exhaust air and using it to temper the incoming outdoor air.

Versatile Applications

Designed to serve a wide range of commercial and institutional spaces, where balanced ventilation is essential.

Year-round performance

Engineered to operate efficiently in warm or humid and cold climates, making it a reliable ventilation solution for balanced ventilation.

Defrost Mode

Equipped with a supply fan shutdown defrost to prevent the energy recovery core from freezing to maximize performance in cold climates.

Certifications



AHRI Certified

The energy recovery wheel in this product is certified by AHRI. The AHRI Certified® mark indicates our participation in the AHRI Certification program. For verification of individual certified products, go to the AHRI Directory.



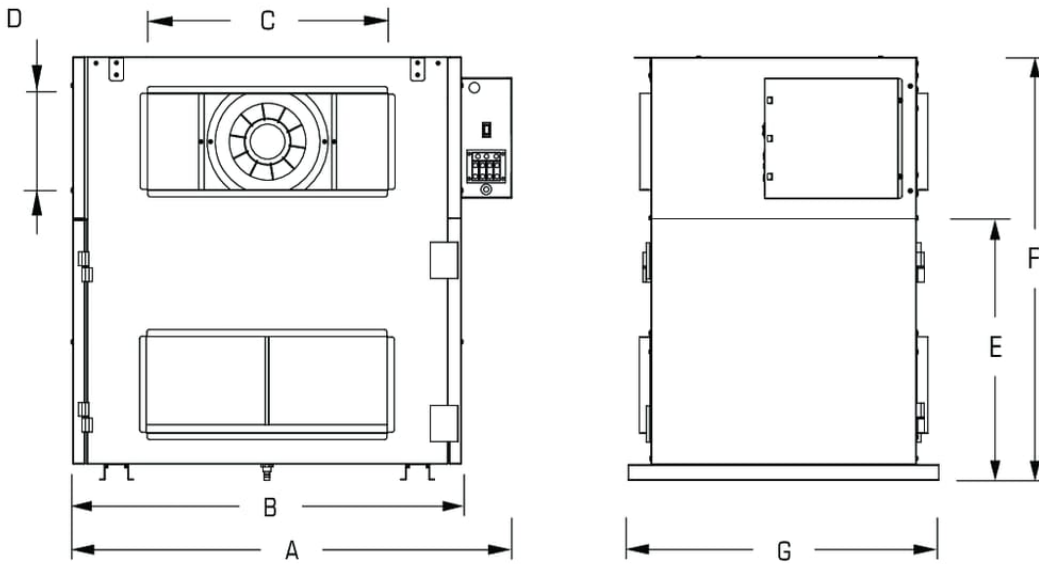
CSA Mark

This product has been rigorously tested to applicable standards written or administered by the ANSI, UL, CSA, NSF, and other North American and global organisations.

Technical parameters

Unit		
Frequency	60	Hz
Voltage (nominal)	120	V
Phases	1~	
Input current	10.8	A
MCA	14.25	A
MOP	15	A
Input power	1300	W
Air flow	max 1301	cfm
Nominal max static pressure (in. w.g.)	0.4	in.wg
Others		
Installation type	Horizontal	
Dimensions and weights		
Weight	94	kg
Certificates		
Certificate	CSA, AHRI 1060 Components	

Dimension



A	B	C	D	E	F	G	Drain Spout
51 2/5 (1306)	47 1/5 (1199)	24 (610)	8 (203)	21 1/2 (546)	35 (889)	25 3/4 (654)	1/2 (13)

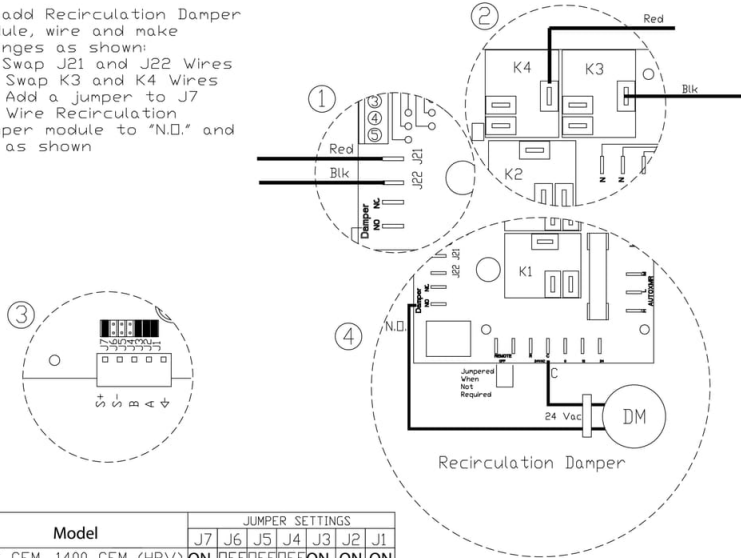
Dimensional information is in inches (mm)

Wiring

Recirculation Defrost Wiring

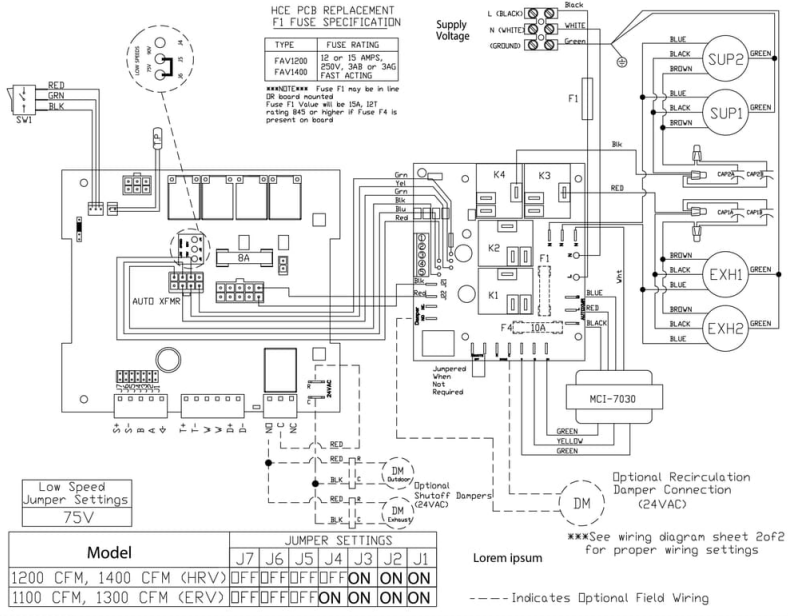
To add Recirculation Damper Module, wire and make changes as shown:

- (1) Swap J21 and J22 Wires
- (2) Swap K3 and K4 Wires
- (3) Add a Jumper to J7
- (4) Wire Recirculation Damper module to "N.D." and "C" as shown



Model	JUMPER SETTINGS						
	J7	J6	J5	J4	J3	J2	J1
1200 CFM, 1400 CFM (HRV)	ON	OFF	OFF	OFF	OFF	ON	ON
1100 CFM, 1300 CFM (ERV)	ON	OFF	OFF	OFF	ON	ON	ON

Fan Shutdown Defrost Wiring



AHU Accessories

- ECO-Feel ® Auto IAQ control (414729)
- EDF8 Electronic control (415517)
- RTS2 Push-button timer (40164)
- MDEH 1 Dehumidistat (40172)
- CO2 Sensor (99315)
- Filter,MERV6,1100-1400,Rep.kit (40460)
- MGS 6 Metal Supply Grill (411242)
- MGE 8 Metal Exhaust Grill (411244)
- MGS 5 Metal Supply Grill (411369)
- MGE 6 Metal Exhaust Grill (411371)
- IR 8 Iris Damper (411237)
- IR 6 Iris Damper (411236)
- ECO-Touch ® Auto IAQ control (414727)
- BPM 08-24P Bypass module (99302)
- EFD 24-8, Damper, TFB24, 99305 (99305)
- RTS5 Push-button timer (44794)
- Filter,MERV8,1100-1400,Repl.ki (414934)
- Filter,MERV13,1100-1400,Repl (414937)
- MGE 4 Metal Exhaust Grill (411106)
- MGE 5 Metal Exhaust Grill (411370)
- MGS 8 Metal Supply Grill (411243)
- IR 5 Iris Damper (411235)
- IR 4 Iris Damper (411234)

Documents

- E400050 SHR 1400 - SER 1300 Dimensional Submittal.pdf
- E1863 Light Commercial Brochure EN
- E400035_SER1300_SUBMITTAL_SHEET_EN.PDF
- 444575 SER1300 Spec Sheet.pdf
- E2014 Replacement Filters EN
- CSI Specification - Light Commercial SER
- 444566 Light Commercial SER IOM EN FR.pdf