

EOS NEO

HOT /COLD FILTERED FAUCET Model EOS-HC-304

FEATURES





- Solid 304 stainless steel construction delivers corrosion resistance inside and out.
- A laminar aerator ensures the delivery of a clear, non-splashing water stream, with very little noise.
- Durable PVD finishes is resistant to scratching the color never fades, even with frequent cleaning.
- Compatible with most under counter reverse osmosis systems.*

TECHNICAL FEATURES

Faucet Type	Hot & Cold Filtered
Flow Rate	1.75 GPM
Spray Type	Stream
Flow Type	Laminar
Number of Handles	2
Spout Swivel Range	360°
Cartridge	3/8" ceramic
Countertop Hole	1 1/4"
Weight	3.75 lbs
Warranty	5 years
Certifying Agency	IAPMO
Certifications	ASME A112.18.1/ CSA B125.1 NSF/ANSI/ CAN 61-2020 AB100 Compliant NSF/ANSI 372 NSF 58

RO Compatible	Yes
ADA Compliant	Yes

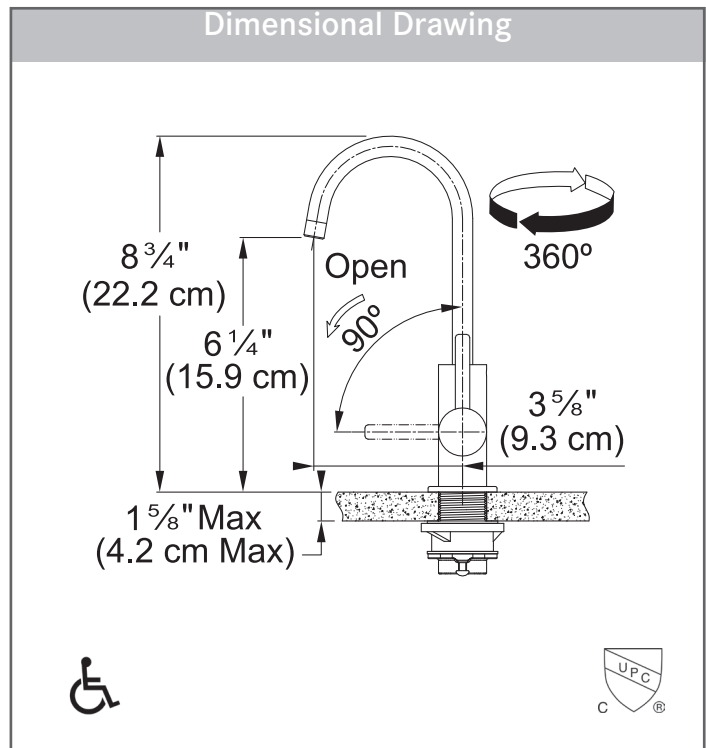
AVAILABLE FINISHES

EOS-HC-304 120.0685.373		Stainless Steel (304)
EOS-HC-CHR 120.0685.329		Polished Chrome
EOS-HC-IBK 120.0685.376		Industrial Black (PVD plated 304)
EOS-HC-GLD 120.0685.379		Gold (PVD plated 304)

Product Image



Dimensional Drawing



*Additional hardware for installation may be required.

