

Maris

Usher in a new era.



Integrated for balance

With our easy-to-use integrated ledge system, you'll accomplish more with your sink while making the most of your surrounding counter space. Custom fit cutting boards, roller mats and colanders are designed to keep all your kitchen tasks within reach.



Wash, prep, work, and life

Equipped with two deep-capacity spacious bowls that can easily accommodate pots, and pans. These generous-sized sinks are available in seven color hues to fit seamlessly into any interior design style.



A fresh start in every detail

Maris granite sinks are enhanced with Sanitized® Technology, which works behind the scenes to neutralize odors and reduce bacteria and microbe growth by 99%. Designed to withstand scratches, stains, and high temperatures, your sink will retain its elegance for years.

FRANKE

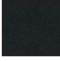
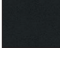
MARIS

GRANITE 33" DOUBLE BOWL SINK Model MAG6201515

TECHNICAL FEATURES

Overall Sink Size (OD)	33" x 22"
Equal Bowl Size (ID)	15 ³ / ₁₆ " x 16 ¹ / ₁₆ "
Bowl Depth (ID)	9 ¹ / ₂ "
Corner Radius	16mm
Minimum Cabinet Size	36"
Installation Type	Topmount
Weight	43 lbs.
Warranty	Limited Lifetime

AVAILABLE FINISHES

 Champagne MAG6201515-CHA 114.0686.994	 Onyx MAG6201515-ONY 114.0686.997
 Stone Grey MAG6201515-SHG 114.0687.000	 Oyster MAG6201515-OYS 114.0686.998
 Polar White MAG6201515-PWT 114.0686.999	 Matte Black MAG6201515-MBK 114.0686.995
 Mocha MAG6201515-MOC 114.0686.996	

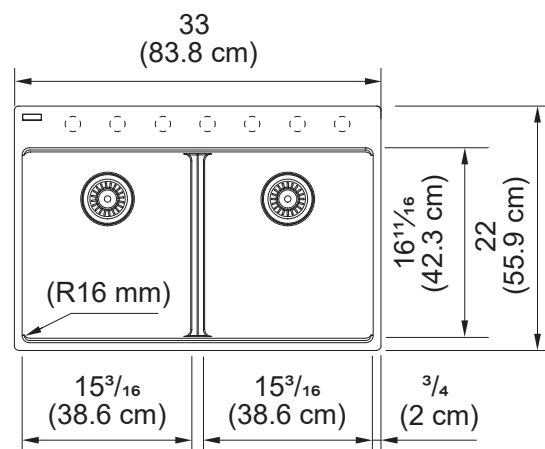
OPTIONAL ACCESSORIES

Bottom Grid MA-15-36S 112.0687.993	Roller Mat MA2-31RM 112.0080.355	Colander PX-70S 112.0066.060
Cutting Board MA2-40S 112.0688.102	Drain Cover RNDCVR 112.0532.169	
Colorline Strainer 900-XXX (xxx represents color)	Colorline Flange WD-900-XXX (xxx represents color)	

Product Image



Dimensional Drawing



7 pre-scored holes for faucet and accessories

