

**FRANKE**



**COLLECTIONS  
2023**



# COLLECTIONS 2023

## FAMILIES

12	Mythos
20	Maris

## PRODUCT CATEGORIES

	<b>Sinks</b>
30	Stainless Steel
104	Granite
146	Fireclay

	<b>Faucets</b>
162	Faucets
198	Filtration

210	<b>Kitchen Solutions — Accessories</b>
-----	--

# Years of experience, yet still as curious as kids.

At Franke, we have been looking for new solutions and innovations for over 100 years, and our attitude still has not changed. In 1911 we combined traditional craftsmanship, precision engineering and a constant pursuit of innovation, three principles that remain at our core.



## A story forged in Swiss precision

Our story began at the beginning of the last century as a small sheet-metal business in Rorschach, Switzerland, established by Hermann Franke.

Since then, we have opened up to the world and inaugurated manufacturing facilities all around the globe. Which led us to become leaders in the kitchen sink segment, and home solutions altogether.





**“We believe that sustainability means fairness to future generations.”**

## Shaping our future

Preserving the environment, shaping the future. As a company conscious of our responsibilities, we think and act today in the interest of the world of tomorrow. We work hand-in-hand with our partners, customers and suppliers to create a livable future where people can also thrive.

“We believe that sustainability means fairness to future generations”— this quote from Michael Pieper, owner of the Franke Group, encapsulates our company ideals. We reconcile economics with ecology and make a proactive contribution to sustainable development — with long-lasting products, recyclable materials, and smart technologies. We use the global sustainable development goals and the United Nations Global Compact (UNGC) as a guide and framework on the path to a climate-neutral future.

### Putting people at the heart of our sustainability

The foundation of our new sustainability strategy rests on three pillars of the environment, employees, and the company. When it comes to environment, we focus on the production and life cycles of our products.

As the market leader, creating reliable and innovative solutions with real added value is both a challenge and a source of motivation.

This exceptional quality enables customers to use our products for more than two decades — conserving resources. We also feel an immense responsibility for our employees, of which there are approximately 8,700 worldwide. Words like appreciation and trust aren't just empty phrases to us; they're deeply embedded in our company's DNA.

We help people stay healthy and make their professional aspirations a reality. Franke is synonymous with diversity, equal opportunities, cohesion, and a company culture where people want to give their best and contribute their ideas.

## Good for everyone!

Good for our partners and customers.

Good for the planet. Good work.

We believe that sustainability means planning ahead.

We see environmental action as an opportunity, and this attitude is also reflected in Franke's products.



### Less plastic and better taste

Plastic bottles have a particularly stark effect on the environment — around the world, over 1,500 bottles end up in the sea every second. From our point-of-use faucets, the filter combines activated carbon and a high-tech membrane to reduce bacteria, lead, chlorine, residues, and sediment. Customers, therefore, have clean drinking water, which is equally good for their health and the environment.

### Saving water has never been so easy

Another star in Franke's range of faucet products is the water-saving feature. This innovative technology allows you to move the handle to a position that will reduce water flow by 50%. In addition, faucets equipped with Franke's ECO cartridge are designed to limit the flow and temperature of the water.



# FRANKE HOME SOLUTIONS

## Solutions that work together

Our kitchens are places to live: we cook there, eat there, and spend time together there, more often than not, all at the same time. Our products all merge together in functional systems aimed to facilitate your life and please your eye, thanks to perfectly matching colors, designs, and combinations. When everything comes together, it is easier to enjoy every moment.

### Food preparation areas

#### Faucets, sinks and kitchen accessories.

Award-winning, intelligent, eco-friendly faucets are perfectly paired with elegant, spacious sinks equipped with custom-fit accessories or other innovative tools, so you have everything you always need. Everything is manufactured in the best, most durable, and hygienic materials, for example, our stainless steel or exclusive granite.



### Filtration

#### Cold, hot and hot/cold combinations.

Every kitchen has specific needs, so we created a range of filtration faucets that dispense filtered hot or cold water. Franke filtration faucets are considered the blueprint for faucets that go the extra step by being compatible with most reverse osmosis systems.

# Inspira ations

There is no place like home. And no two homes are alike. The way we cherish our own home is just as unique as we are, each one with different tastes, preferences and needs. To help you get inspired, create the kitchen environment of your dreams, and enjoy it every day, we developed two **families** of products.

## Mythos

### A passion for the best

Our most premium products. Technology meets design, with even the smallest details considered. This **family** sets its goal to the highest levels, combining functionality with beauty.

## Maris

### Family in the kitchen

A **family** inspired by families. Cozy and functional, for savoring the heartwarming experience of a **family** get together. Maris' philosophy is simple: welcome anyone, anytime, with the pride and joy of a homemade dinner.

What your kitchen will look like is up to you, but whatever your way of bringing joy home, **you can count on us.**



# Maris



Sink: Maris - MAG11028-ONLY



Faucet: Active - ACT-PO-ONLY

# Maris



Sink: Cube - CUX110-30



Faucet: Active Semi-Pro - ACT-SP-CHR

# Maris

# Sinks

NEW

Usher in a new era.



Life happens in the kitchen, and your sink is at the center of the action. Whether prepping for a weeknight meal, entertaining friends and family, working from home, or cleaning up after dinner, Franke Maris Granite sinks are designed to fit seamlessly into your ever-changing lifestyle with innovative features and timeless design.



### Elegance that endures

Scratch and stain-resistant granite is engineered to perform. Durable and beautiful, Maris granite sinks will retain their elegance for years to come.



### Integrated for balance

With our easy-to-use integrated ledge system, you'll accomplish more with your sink while making the most of your surrounding counter space.



### Versatility

Generously sized sinks are ideal for any busy laundry room or kitchen. If accessibility is a concern, the ADA compliant sinks are designed for those who need it.



### Harmony comes in color

Available in a full suite of timeless colors, there's a Franke Maris Granite sink to fit seamlessly into any interior design style.



# Granite sinks

110  
130  
134  
140

Maris **NEW**  
Workcenters  
Peak  
Ellipse

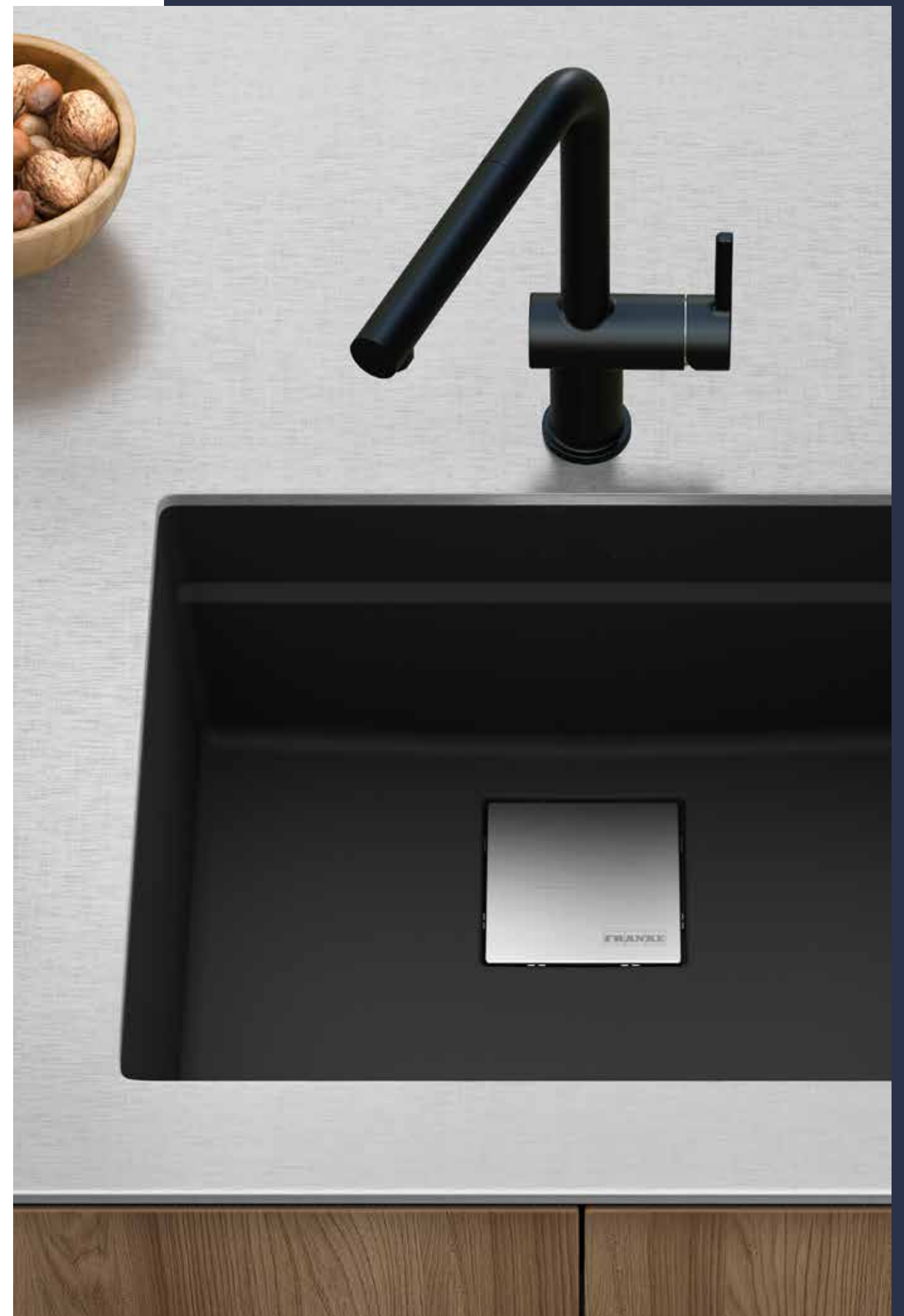
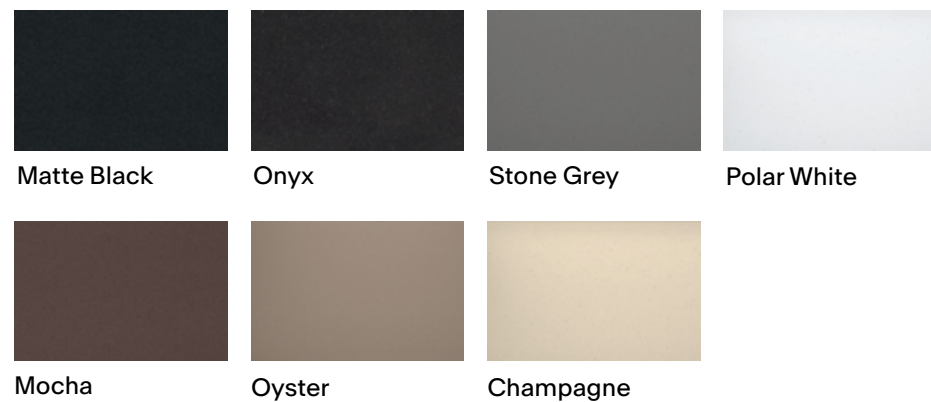


# Made to last

**A durable and beautiful choice, Franke`s granite sinks are made from up to 80% natural quartz sand, making them one of the hardest materials in the world**

Quartz sand is delivered to the factory in various colors, which create the finished color of each sink. However, all our sinks reflect the latest kitchen color trends and echo your style and taste, with calming and classic neutrals that have never lost their appeal. We know what matters most in the home — beauty, functionality, simplicity. It is a hardworking haven that nurtures our spirits and promotes our well-being.

## COLOR VARIATIONS



# Colorline Strainers

Colors that create perfect harmony.



## Perfectly matched



Six colors available in two styles, strainer basket and waste disposer flange with strainer basket.



Matte Black/  
Onyx



Stone  
Grey



Polar  
White



Mocha



Oyster



Champagne

**NEW**

# Maris

Usher in a new era.



### Home in harmony

We've entered a new era of living, where balance means everything. In this age, we don't just hope for harmony, we create it. Through clever features, unparalleled function and elegant design, Franke Maris granite sinks are created to empower your contemporary idea of balance.



### Make your space work for you

With a low-divide sink you can keep your kitchen in check. The double bowl allows you to multitask with ease, while the low divide creates a larger single bowl that is perfect for cleaning cookware and bakeware.



### Integrated for balance

Organization is at the heart of balance. With our easy-to-use integrated ledge system, you'll accomplish more with your sink while making the most of your surrounding counter space.



### Add a strainer

For an additional \$65 to the list price (\$130 for double bowls), add a 1145 strainer basket to any Maris sink on the following pages. Simply add "-S" to the end of the model number. ie: MAG11023-PWT-S.

### A fresh start in every detail

Beautiful granite finishes are enhanced with Sanitized® technology that works consistently to neutralize odors and reduce bacteria and microbe growth by 99%. A safer home for you and your family starts with cleaner surfaces.



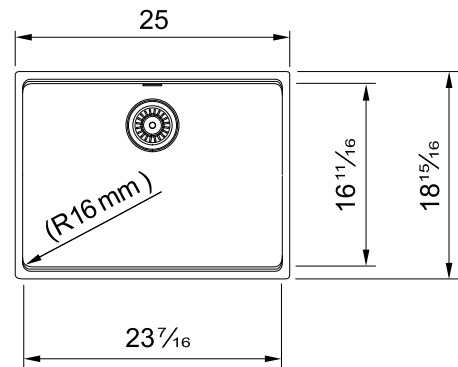
MARIS



**NEW** **MAG11023**  
\$660

Interior Dimensions: 23<sup>7</sup>/<sub>16</sub>" x 16<sup>11</sup>/<sub>16</sub>" x 9<sup>1</sup>/<sub>2</sub>"  
Exterior Dimensions: 25" x 18<sup>15</sup>/<sub>16</sub>"  
Minimum Cabinet Size: 30"  
Weight: 33 lbs.  
Corner Radius: 16mm  
Installation: Undermount

Accessories Optional



# Maris

- Polar White  
**MAG11023-PWT**  
125.0687.034  
**\$660**
- Stone Grey  
**MAG11023-SHG**  
125.0687.035  
**\$660**
- Onyx  
**MAG11023-ONY**  
125.0687.032  
**\$660**
- Matte Black  
**MAG11023-MBK**  
125.0687.030  
**\$660**
- Champagne  
**MAG11023-CHA**  
125.0687.029  
**\$660**
- Oyster  
**MAG11023-OYS**  
125.0687.033  
**\$660**
- Mocha  
**MAG11023-MOC**  
125.0687.031  
**\$660**

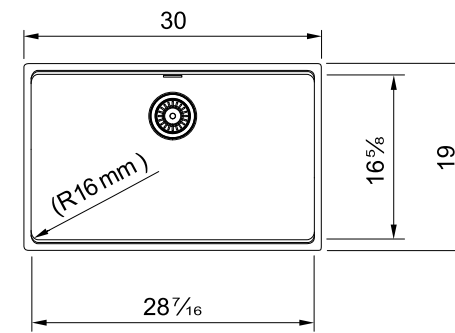
MARIS



**NEW** **MAG11028**  
\$705

Interior Dimensions: 28<sup>7</sup>/<sub>16</sub>" x 16<sup>5</sup>/<sub>8</sub>" x 9<sup>1</sup>/<sub>2</sub>"  
Exterior Dimensions: 30" x 19"  
Minimum Cabinet Size: 33"  
Weight: 34 lbs.  
Corner Radius: 16mm  
Installation: Undermount

Accessories Optional



- Polar White  
**MAG11028-PWT**  
125.0687.020  
**\$705**
- Stone Grey  
**MAG11028-SHG**  
125.0687.021  
**\$705**
- Onyx  
**MAG11028-ONY**  
125.0687.018  
**\$705**
- Matte Black  
**MAG11028-MBK**  
125.0687.016  
**\$705**
- Champagne  
**MAG11028-CHA**  
125.0687.015  
**\$705**
- Oyster  
**MAG11028-OYS**  
125.0687.019  
**\$705**
- Mocha  
**MAG11028-MOC**  
125.0687.017  
**\$705**

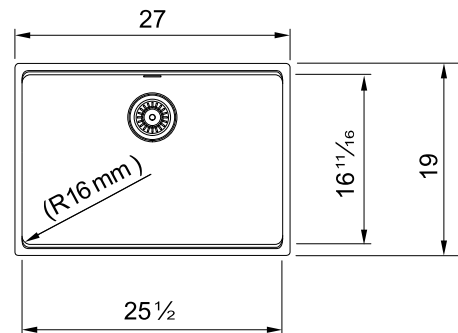
MARIS



**NEW** **MAG11025**  
\$685

Interior Dimensions: 25<sup>1</sup>/<sub>2</sub>" x 16<sup>11</sup>/<sub>16</sub>" x 9<sup>1</sup>/<sub>2</sub>"  
Exterior Dimensions: 27" x 19"  
Minimum Cabinet Size: 30"  
Weight: 33 lbs.  
Corner Radius: 16mm  
Installation: Undermount

Accessories Optional



- Polar White  
**MAG11025-PWT**  
125.0687.027  
**\$685**
- Stone Grey  
**MAG11025-SHG**  
125.0687.028  
**\$685**
- Onyx  
**MAG11025-ONY**  
125.0687.025  
**\$685**
- Matte Black  
**MAG11025-MBK**  
125.0687.023  
**\$685**
- Champagne  
**MAG11025-CHA**  
125.0687.022  
**\$685**
- Oyster  
**MAG11025-OYS**  
125.0687.026  
**\$685**
- Mocha  
**MAG11025-MOC**  
125.0687.024  
**\$685**

## ACCESSORIES OPTIONAL

- |   |  |   |   |   |   |
|---|--|---|---|---|---|
| <p><b>O1</b> <b>Bottom Grid</b><br/>21<sup>1</sup>/<sub>8</sub>" x 15<sup>1</sup>/<sub>8</sub>"<br/>Stainless<br/>MA-23-36S<br/>112.0687.977<br/><b>\$240</b></p> | <p><b>O2</b> <b>Bottom Grid</b><br/>23<sup>3</sup>/<sub>8</sub>" x 15<sup>1</sup>/<sub>8</sub>"<br/>Stainless<br/>MA-25-36S<br/>112.0687.978<br/><b>\$250</b></p>      | <p><b>O3</b> <b>Bottom Grid</b><br/>26<sup>3</sup>/<sub>16</sub>" x 15<sup>1</sup>/<sub>8</sub>"<br/>Stainless<br/>MA-28-36S<br/>112.0687.979<br/><b>\$270</b></p>                              | <p><b>O4</b> <b>Colander</b><br/>6<sup>1</sup>/<sub>2</sub>" x 17<sup>5</sup>/<sub>16</sub>" x 2<sup>1</sup>/<sub>8</sub>"<br/>Stainless<br/>PX-70S<br/>112.0066.060<br/><b>\$265</b></p> | <p><b>O5</b> <b>Maple Cutting Board</b><br/>11<sup>1</sup>/<sub>8</sub>" x 18"<br/>Solid Wood<br/>MA2-40S<br/>112.0688.102<br/><b>\$210</b></p> | <p><b>O6</b> <b>Roller Mat</b><br/>18<sup>1</sup>/<sub>8</sub>" x 17<sup>1</sup>/<sub>8</sub>"<br/>Stainless<br/>MA2-31RM<br/>112.0080.355<br/><b>\$180</b></p> |
| <p><b>O7</b> <b>Strainer Basket</b><br/>Chrome<br/>1145<br/>112.0055.508<br/><b>\$75</b><br/>Satin Nickel<br/>1145SN<br/>112.0185.195<br/><b>\$105</b></p>        | <p><b>O8</b> <b>Colorline Strainer Basket</b><br/>900-PWT<br/>900-SHG<br/>900-MBK<br/>900-CHA<br/>900-OYS<br/>900-MOC<br/><b>\$95</b><br/>Color shown is Champagne</p> | <p><b>O9</b> <b>Colorline Disposer Flange Kit</b><br/>WD-900-PWT<br/>WD-900-SHG<br/>WD-900-MBK<br/>WD-900-CHA<br/>WD-900-OYS<br/>WD-900-MOC<br/><b>\$105</b><br/>Color shown is Matte Black</p> | <p><b>O10</b> <b>Drain Cover</b><br/>4<sup>1</sup>/<sub>2</sub>"<br/>Stainless<br/>RND CVR<br/>112.0532.169<br/><b>\$110</b></p>  | <p><b>Active</b><br/>Matte Black<br/>ACT-PO-MBK<br/>115.0656.848<br/><b>\$810</b><br/>Optional</p>  |   |

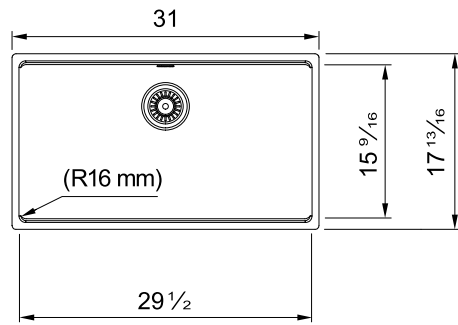
# Maris



**NEW** **MAG11029**  
\$725

Interior Dimensions: 29½" x 15<sup>9</sup>/<sub>16</sub>" x 9 ½"  
Exterior Dimensions: 31" x 17<sup>13</sup>/<sub>16</sub>"  
Minimum Cabinet Size: 36"  
Weight: 35 lbs.  
Corner Radius: 16mm  
Installation: Undermount

Accessories Optional



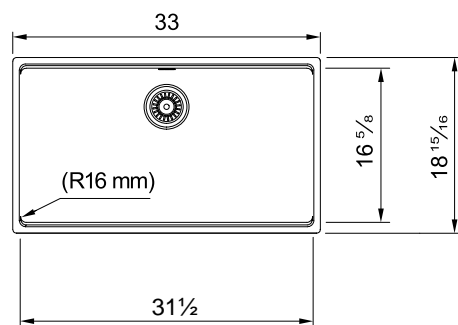
- Polar White  
**MAG11029-PWT**  
125.0687.097  
**\$725**
- Stone Grey  
**MAG11029-SHG**  
125.0687.098  
**\$725**
- Onyx  
**MAG11029-ONY**  
125.0687.095  
**\$725**
- Matte Black  
**MAG11029-MBK**  
125.0687.093  
**\$725**
- Champagne  
**MAG11029-CHA**  
125.0687.092  
**\$725**
- Oyster  
**MAG11029-OYS**  
125.0687.096  
**\$725**
- Mocha  
**MAG11029-MOC**  
125.0687.094  
**\$725**



**NEW** **MAG11031**  
\$735

Interior Dimensions: 31½" x 16<sup>5</sup>/<sub>8</sub>" x 9 ½"  
Exterior Dimensions: 33" x 18<sup>15</sup>/<sub>16</sub>"  
Minimum Cabinet Size: 36"  
Weight: 37 lbs.  
Corner Radius: 16mm  
Installation: Undermount

Accessories Optional



- Polar White  
**MAG11031-PWT**  
125.0686.937  
**\$735**
- Stone Grey  
**MAG11031-SHG**  
125.0686.939  
**\$735**
- Onyx  
**MAG11031-ONY**  
125.0686.935  
**\$735**
- Matte Black  
**MAG11031-MBK**  
125.0686.967  
**\$735**
- Champagne  
**MAG11031-CHA**  
125.0686.966  
**\$735**
- Oyster  
**MAG11031-OYS**  
125.0686.936  
**\$735**
- Mocha  
**MAG11031-MOC**  
125.0686.968  
**\$735**

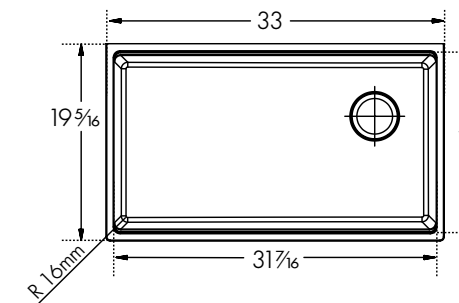
# Maris



**MAG11031OW**  
\$735

Interior Dimensions: 31 7/16" x 17" x 9 1/2"  
Exterior Dimensions: 33" x 19 5/16"  
Minimum Cabinet Size: 36"  
Weight: 38lbs.  
Corner Radius: 16mm  
Installation: Undermount

Accessories Optional



- Polar White  
**MAG11031OW-PWT**  
125.0637.078  
**\$735**
- Stone Grey  
**MAG11031OW-SHG**  
125.0637.077  
**\$735**
- Onyx  
**MAG11031OW-ONY**  
125.0637.076  
**\$735**
- Matte Black  
**MAG11031OW-MBK**  
125.0637.082  
**\$735**
- Champagne  
**MAG11031OW-CHA**  
125.0637.081  
**\$735**
- Oyster  
**MAG11031OW-OYS**  
125.0637.080  
**\$735**
- Mocha  
**MAG11031OW-MOC**  
125.0688.136  
**\$735**

## ACCESSORIES OPTIONAL

- |   |   |   |   |  |  |
|---|---|---|---|--|--|
| <p><b>O1</b> <b>Bottom Grid</b><br/>27<sup>15</sup>/<sub>16</sub>" x 14"<br/>Stainless<br/>MA-29-36S<br/>112.0687.980<br/><b>\$280</b></p>                    | <p><b>O2</b> <b>Bottom Grid</b><br/>29<sup>9</sup>/<sub>16</sub>" x 15<sup>1</sup>/<sub>4</sub>"<br/>Stainless<br/>MA2-31-36S<br/>112.0687.991<br/><b>\$280</b></p> | <p><b>O3</b> <b>Bottom/ Shelf Grid</b><br/>(Left) 14<sup>3</sup>/<sub>8</sub>" x 15<sup>1</sup>/<sub>8</sub>"<br/>(Right) 14<sup>3</sup>/<sub>8</sub>" x 15<sup>1</sup>/<sub>8</sub>"<br/>Stainless<br/>MA-31-36S<br/>112.0643.593<br/><b>\$295</b></p> | <p><b>O4</b> <b>Colander</b><br/>6<sup>1</sup>/<sub>2</sub>" x 16"<br/>Stainless<br/>MAC-70S<br/>112.0688.103<br/><b>\$240</b></p>        | <p><b>O5</b> <b>Colander</b><br/>6<sup>1</sup>/<sub>2</sub>" x 17<sup>3</sup>/<sub>8</sub>" x 2<sup>1</sup>/<sub>4</sub>"<br/>Stainless<br/>PX-70S<br/>112.0066.060<br/><b>\$265</b></p> | <p><b>O6</b> <b>Colander</b><br/>6<sup>1</sup>/<sub>2</sub>" x 17<sup>3</sup>/<sub>8</sub>" x 2<sup>1</sup>/<sub>4</sub>"<br/>Stainless<br/>PE-70S<br/>112.0334.171<br/><b>\$275</b></p> |
| <p><b>O7</b> <b>Cutting Board</b><br/>11<sup>1</sup>/<sub>2</sub>" x 16<sup>1</sup>/<sub>2</sub>"<br/>Maple<br/>MAC-40S<br/>112.0688.104<br/><b>\$210</b></p> | <p><b>O8</b> <b>Cutting Board</b><br/>11<sup>1</sup>/<sub>2</sub>" x 18"<br/>Maple<br/>MAC-40S<br/>112.0688.102<br/><b>\$210</b></p>                                | <p><b>O9</b> <b>Cutting Board</b><br/>11<sup>1</sup>/<sub>2</sub>" x 18<sup>1</sup>/<sub>2</sub>"<br/>Maple<br/>MAC-40S<br/>112.0643.597<br/><b>\$210</b></p>   | <p><b>O10</b> <b>Roller Mat</b><br/>11<sup>1</sup>/<sub>2</sub>" x 16"<br/>Stainless<br/>PKG14-31RM<br/>112.0256.867<br/><b>\$165</b></p> | <p><b>O11</b> <b>Roller Mat</b><br/>18<sup>1</sup>/<sub>2</sub>" x 17<sup>3</sup>/<sub>8</sub>"<br/>Stainless<br/>MA2-31RM<br/>112.0080.355<br/><b>\$180</b></p>                         | <p><b>O12</b> <b>Roller Mat</b><br/>18<sup>1</sup>/<sub>2</sub>" x 17<sup>3</sup>/<sub>8</sub>"<br/>Stainless<br/>MA-31RM<br/>112.0643.591<br/><b>\$180</b></p>                          |
| <p><b>O13</b> <b>Strainer Basket</b><br/>Chrome<br/>1145<br/>112.0055.508<br/><b>\$75</b><br/>Satin Nickel<br/>1145SN<br/>112.0185.195<br/><b>\$105</b></p>   | <p><b>O14</b> <b>Colorline Strainer Basket</b><br/>900-PWT<br/>900-SHG<br/>900-MBK<br/>900-CHA<br/>900-OYS<br/>900-MOC<br/><b>\$95</b></p>                          | <p><b>O15</b> <b>Colorline Disposer Flange Kit</b><br/>WD-900-PWT<br/>WD-900-SHG<br/>WD-900-MBK<br/>WD-900-CHA<br/>WD-900-OYS<br/>WD-900-MOC<br/><b>\$105</b></p>   | <p><b>O16</b> <b>Drain Cover</b><br/>4<sup>1</sup>/<sub>2</sub>"<br/>Stainless<br/>RNDCVR<br/>112.0532.169<br/><b>\$110</b></p>           | <p><b>Active</b><br/>Matte Black<br/>ACT-PO-MBK<br/>115.0656.848<br/><b>\$810</b></p>  |  |



**MAG110310W-WKC**  
\$1,350

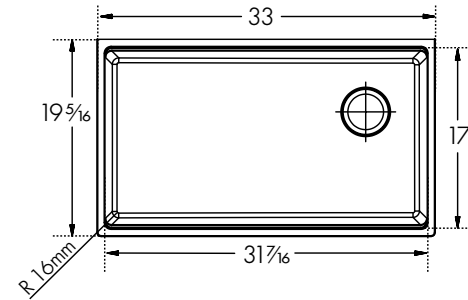
Interior Dimensions: 31<sup>7</sup>/<sub>16</sub>" x 17" x 9<sup>1</sup>/<sub>2</sub>"  
Exterior Dimensions: 33" x 19<sup>5</sup>/<sub>16</sub>"  
Minimum Cabinet Size: 36"  
Weight: 45 lbs.  
Corner Radius: 16mm  
Installation: Undermount

Accessories Included



A1 A2 A3 A4

Accessories Optional

O1 O2 O3 O4



# Maris

-  Polar White  
**MAG110310W-PWT-WKC**  
125.0672.247  
**\$1,350**
-  Stone Grey  
**MAG110310W-SHG-WKC**  
125.0672.248  
**\$1,350**
-  Onyx  
**MAG110310W-ONY-WKC**  
125.0672.243  
**\$1,350**
-  Matte Black  
**MAG110310W-MBK-WKC**  
125.0672.245  
**\$1,350**
-  Champagne  
**MAG110310W-CHA-WKC**  
125.0672.244  
**\$1,350**
-  Oyster  
**MAG110310W-OYS-WKC**  
125.0672.246  
**\$1,350**
-  Mocha  
**MAG110310W-MOC-WKC**  
125.0688.140  
**\$1,350**

## ACCESSORIES INCLUDED

-  **A1 Bottom/Shelf Grid**  
(Left) 14<sup>1</sup>/<sub>2</sub>" x 15<sup>1</sup>/<sub>2</sub>"  
(Right) 14<sup>1</sup>/<sub>2</sub>" x 15<sup>1</sup>/<sub>2</sub>"  
Stainless  
MA-31-36S  
112.0643.593  
**\$295**
-  **A2 Colander**  
6<sup>1</sup>/<sub>2</sub>" x 17<sup>1</sup>/<sub>2</sub>" x 2<sup>1</sup>/<sub>2</sub>"  
Stainless  
PE-70S  
112.0334.171  
**\$275**
-  **A3 Cutting Board**  
11<sup>3</sup>/<sub>8</sub>" x 18<sup>3</sup>/<sub>8</sub>"  
Maple  
MA3-40S  
112.0643.597  
**\$210**
-  **A4 Strainer Basket**  
Chrome  
1145  
112.0055.508  
**\$75**  
Satin Nickel  
1145SN  
112.0185.195  
**\$105**  
Optional

## ACCESSORIES OPTIONAL

-  **O1 Roller Mat**  
18<sup>7</sup>/<sub>8</sub>" x 17<sup>1</sup>/<sub>2</sub>"  
Stainless  
MA-31RM  
112.0643.591  
**\$180**
-  **O2 Drain Cover**  
4<sup>1</sup>/<sub>2</sub>"  
Stainless  
RND CVR  
112.0532.169  
**\$110**
-  **O3 Colorline Strainer Basket**  
900-PWT  
900-SHG  
900-MBK  
900-CHA  
900-OYS  
900-MOC  
**\$95**  
Color shown is Champagne
-  **O4 Colorline Disposer Flange Kit**  
WD-900-PWT  
WD-900-SHG  
WD-900-MBK  
WD-900-CHA  
WD-900-OYS  
WD-900-MOC  
**\$105**  
Color shown is Matte Black

-  **Active**  
Matte Black  
ACT-PO-MBK  
115.0656.848  
**\$810**



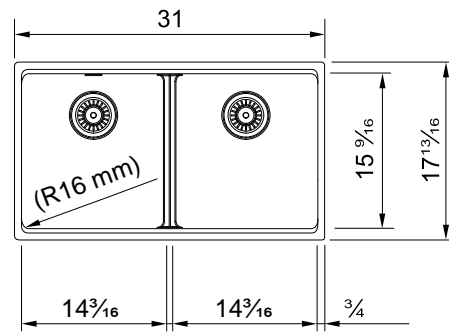
# Maris



**NEW** **MAG1201414**  
**\$770**

Interior Dimensions: 29½" x 15<sup>9</sup>/<sub>16</sub>" x 9½"  
Exterior Dimensions: 31" x 17<sup>13</sup>/<sub>16</sub>"  
Minimum Cabinet Size: 36"  
Weight: 40 lbs.  
Corner Radius: 16mm  
Installation: Undermount

Accessories Optional



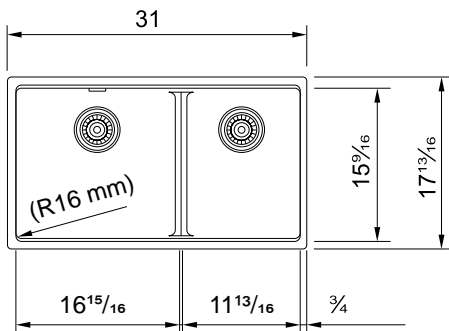
-  Polar White  
**MAG1201414-PWT**  
125.0687.069  
**\$770**
-  Stone Grey  
**MAG1201414-SHG**  
125.0687.070  
**\$770**
-  Onyx  
**MAG1201414-ONY**  
125.0687.067  
**\$770**
-  Matte Black  
**MAG1201414-MBK**  
125.0687.065  
**\$770**
-  Champagne  
**MAG1201414-CHA**  
125.0687.064  
**\$770**
-  Oyster  
**MAG1201414-OYS**  
125.0687.068  
**\$770**
-  Mocha  
**MAG1201414-MOC**  
125.0687.066  
**\$770**



**NEW** **MAG1601611LD**  
**\$770**

Interior Dimensions: 29 ½" x 15<sup>9</sup>/<sub>16</sub>" x 9½"  
Exterior Dimensions: 31" x 17<sup>13</sup>/<sub>16</sub>"  
Minimum Cabinet Size: 36"  
Weight: 39 lbs.  
Corner Radius: 16mm  
Installation: Undermount

Accessories Optional



-  Polar White  
**MAG1601611LD-PWT**  
125.0687.083  
**\$770**
-  Stone Grey  
**MAG1601611LD-SHG**  
125.0687.084  
**\$770**
-  Onyx  
**MAG1601611LD-ONY**  
125.0687.081  
**\$770**
-  Matte Black  
**MAG1601611LD-MBK**  
125.0687.079  
**\$770**
-  Champagne  
**MAG1601611LD-CHA**  
125.0687.078  
**\$770**
-  Oyster  
**MAG1601611LD-OYS**  
125.0687.082  
**\$770**
-  Mocha  
**MAG1601611LD-MOC**  
125.0687.080  
**\$770**

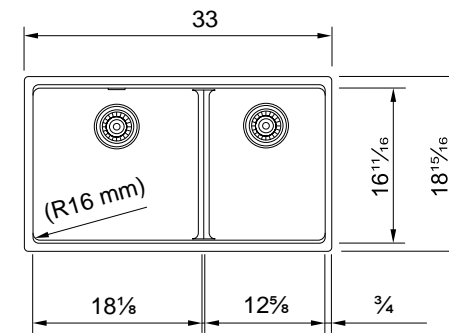
# Maris







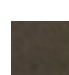


**NEW** **MAG1601812LD**  
**\$800**



Interior Dimensions: 31½" x 16<sup>1</sup>/<sub>16</sub>" x 9½"  
Exterior Dimensions: 33" x 18<sup>5</sup>/<sub>16</sub>"  
Minimum Cabinet Size: 36"  
Weight: 40 lbs.  
Corner Radius: 16mm  
Installation: Undermount

Accessories Optional



-  Polar White  
**MAG1601812LD-PWT**  
125.0687.006  
**\$800**
-  Stone Grey  
**MAG1601812LD-SHG**  
125.0687.007  
**\$800**
-  Onyx  
**MAG1601812LD-ONY**  
125.0687.004  
**\$800**
-  Matte Black  
**MAG1601812LD-MBK**  
125.0687.002  
**\$800**
-  Champagne  
**MAG1601812LD-CHA**  
125.0687.001  
**\$800**
-  Oyster  
**MAG1601812LD-OYS**  
125.0687.005  
**\$800**
-  Mocha  
**MAG1601812LD-MOC**  
125.0687.003  
**\$800**

## ACCESSORIES OPTIONAL

- |   |   |   |   |   |  |
|---|---|---|---|---|--|
| <br><b>O1 Bottom Grid</b><br>12 <sup>5</sup> / <sub>8</sub> " x 14"<br>Stainless<br>MA-14-36S<br>112.0687.992<br><b>\$190</b>  | <br><b>O2 Bottom Grid</b><br>15 <sup>5</sup> / <sub>8</sub> " x 14"<br>Stainless<br>MA-16-36S<br>112.0687.994<br><b>\$210</b>  | <br><b>O3 Bottom Grid</b><br>10 <sup>5</sup> / <sub>8</sub> " x 14"<br>Stainless<br>MA-11-36S<br>112.0687.995<br><b>\$170</b>  | <br><b>O4 Bottom Grid</b><br>16 <sup>1</sup> / <sub>16</sub> " x 15 <sup>5</sup> / <sub>16</sub> "<br>Stainless<br>MA-18-36S<br>112.0687.996<br><b>\$220</b> | <br><b>O5 Bottom Grid</b><br>11 <sup>7</sup> / <sub>16</sub> " x 15 <sup>5</sup> / <sub>16</sub> "<br>Stainless<br>MA-12-36S<br>112.0687.997<br><b>\$180</b> | <br><b>O6 Colander</b><br>6 <sup>5</sup> / <sub>8</sub> " x 16"<br>Stainless<br>MAC-70S<br>112.0688.103<br><b>\$240</b>                   |
| <br><b>O7 Colander</b><br>6 <sup>5</sup> / <sub>8</sub> " x 17 <sup>5</sup> / <sub>16</sub> " x 2 <sup>5</sup> / <sub>8</sub> "<br>Stainless<br>PX-70S<br>112.0066.060<br><b>\$265</b> | <br><b>O8 Cutting Board</b><br>11 <sup>1</sup> / <sub>2</sub> " x 16 <sup>1</sup> / <sub>2</sub> "<br>Maple<br>MAC-40S<br>112.0688.104<br><b>\$210</b>                         | <br><b>O9 Cutting Board</b><br>11 <sup>1</sup> / <sub>2</sub> " x 18"<br>Solid Wood<br>MA2-40S<br>112.0688.102<br><b>\$210</b> | <br><b>O10 Roller Mat</b><br>11 <sup>1</sup> / <sub>4</sub> " x 16 <sup>1</sup> / <sub>8</sub> "<br>Stainless<br>PKG14-31RM<br>112.0256.867<br><b>\$165</b>  | <br><b>O11 Roller Mat</b><br>18 <sup>7</sup> / <sub>16</sub> " x 17 <sup>1</sup> / <sub>16</sub> "<br>Stainless<br>MA2-31RM<br>112.0080.355<br><b>\$180</b>  | <br><b>O12 Strainer Basket</b><br>Chrome<br>1145<br>112.0055.508<br><b>\$75</b><br>Satin Nickel<br>1145SN<br>112.0185.195<br><b>\$105</b> |
| <br><b>O13 Colorline Strainer Basket</b><br>900-PWT<br>900-SHG<br>900-MBK<br>900-CHA<br>900-OYS<br>900-MOC<br><b>\$95</b><br>Color shown is Champagne                                  | <br><b>O14 Colorline Disposer Flange Kit</b><br>WD-900-PWT<br>WD-900-SHG<br>WD-900-MBK<br>WD-900-CHA<br>WD-900-OYS<br>WD-900-MOC<br><b>\$105</b><br>Color shown is Matte Black | <br><b>O15 Drain Cover</b><br>4 <sup>1</sup> / <sub>2</sub> "<br>Stainless<br>RNDCVR<br>112.0532.169<br><b>\$110</b>           | <br><b>Active</b><br>Matte Black<br>ACT-PO-MBK<br>115.0656.848<br><b>\$810</b>   |   |  |

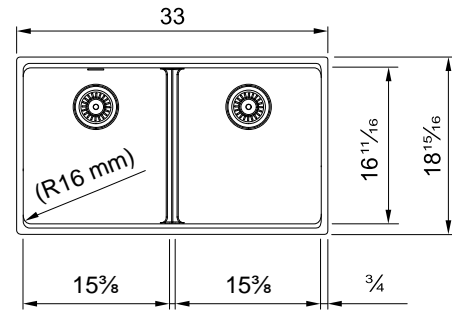
# Maris



**NEW** **MAG1201515**  
\$800

Interior Dimensions: 31½" x 16<sup>11</sup>/<sub>16</sub>" x 9½"  
Exterior Dimensions: 33" x 18<sup>15</sup>/<sub>16</sub>"  
Minimum Cabinet Size: 36"  
Weight: 43 lbs.  
Corner Radius: 16mm  
Installation: Undermount

Accessories Optional



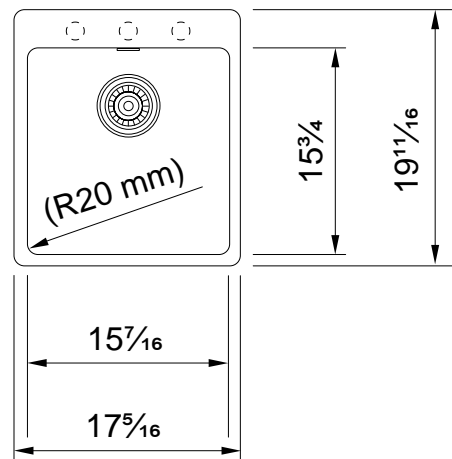
- Polar White  
**MAG1201515-PWT**  
125.0686.992  
**\$800**
- Stone Grey  
**MAG1201515-SHG**  
125.0686.993  
**\$800**
- Onyx  
**MAG1201515-ONY**  
125.0686.990  
**\$800**
- Matte Black  
**MAG1201515-MBK**  
125.0686.988  
**\$800**
- Champagne  
**MAG1201515-CHA**  
125.0686.987  
**\$800**
- Oyster  
**MAG1201515-OYS**  
125.0686.991  
**\$800**
- Mocha  
**MAG1201515-MOC**  
125.0686.989  
**\$800**



**NEW** **MAG61015**  
\$620

Interior Dimensions: 15<sup>7</sup>/<sub>16</sub>" x 15<sup>3</sup>/<sub>4</sub>" x 7<sup>7</sup>/<sub>8</sub>"  
Exterior Dimensions: 17<sup>5</sup>/<sub>16</sub>" x 19<sup>11</sup>/<sub>16</sub>"  
Minimum Cabinet Size: 18" (topmount) 21" (undermount)  
Weight: 22 lbs.  
Corner Radius: 20mm  
Installation: Dual Mount  
Pre-scored Faucet Hole: 1 to 3

Accessories Optional



- Polar White  
**MAG61015-PWT**  
114.0687.062  
**\$620**
- Stone Grey  
**MAG61015-SHG**  
114.0687.063  
**\$620**
- Onyx  
**MAG61015-ONY**  
114.0687.060  
**\$620**
- Matte Black  
**MAG61015-MBK**  
114.0687.058  
**\$620**
- Champagne  
**MAG61015-CHA**  
114.0687.057  
**\$620**
- Oyster  
**MAG61015-OYS**  
114.0687.061  
**\$620**
- Mocha  
**MAG61015-MOC**  
114.0687.059  
**\$620**

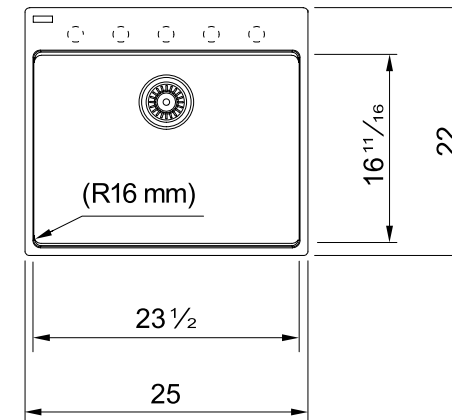
# Maris



**NEW** **MAG61023**  
\$635

Interior Dimensions: 23½" x 16<sup>11</sup>/<sub>16</sub>" x 9½"  
Exterior Dimensions: 25" x 22"  
Minimum Cabinet Size: 27"  
Weight: 35 lbs.  
Corner Radius: 16mm  
Installation: Topmount  
Pre-scored Faucet Hole: 1 to 5

Accessories Optional



- Polar White  
**MAG61023-PWT**  
114.0687.048  
**\$635**
- Stone Grey  
**MAG61023-SHG**  
114.0687.049  
**\$635**
- Onyx  
**MAG61023-ONY**  
114.0687.046  
**\$635**
- Matte Black  
**MAG61023-MBK**  
114.0687.044  
**\$635**
- Champagne  
**MAG61023-CHA**  
114.0687.043  
**\$635**
- Oyster  
**MAG61023-OYS**  
114.0687.047  
**\$635**
- Mocha  
**MAG61023-MOC**  
114.0687.045  
**\$635**

## ACCESSORIES OPTIONAL

 <b>O1 Bottom Grid</b> 13 <sup>3</sup> / <sub>4</sub> " x 15 <sup>1</sup> / <sub>4</sub> " Stainless MA-15-36S 112.0687.993 <b>\$200</b>	 <b>O2 Bottom Grid</b> 21 <sup>1</sup> / <sub>4</sub> " x 15 <sup>1</sup> / <sub>4</sub> " Stainless MA-23-36S 112.0687.977 <b>\$240</b>	 <b>O3 Colander</b> 6 <sup>1</sup> / <sub>4</sub> " x 17 <sup>3</sup> / <sub>16</sub> " x 2 <sup>1</sup> / <sub>2</sub> " Stainless PX-70S 112.0066.060 <b>\$265</b>	 <b>O4 Cutting Board</b> 11 <sup>3</sup> / <sub>4</sub> " x 18" Maple MA2-40S 112.0688.102 <b>\$210</b>	 <b>O5 Roller Mat</b> 18 <sup>7</sup> / <sub>16</sub> " x 17 <sup>1</sup> / <sub>16</sub> " Stainless MA2-31RM 112.0080.355 <b>\$180</b>	 <b>O6 Universal Roller Mat</b> 18 <sup>7</sup> / <sub>16</sub> " x 20" Stainless UV-36RM 112.0391.220 <b>\$210</b>
 <b>O7 Strainer Basket</b> Chrome 1145 112.0055.508 <b>\$75</b> Satin Nickel 1145SN 112.0185.195 <b>\$105</b>	 <b>O8 Colorline Strainer Basket</b> 900-PWT 900-SHG 900-MBK 900-CHA 900-OYS 900-MOC <b>\$95</b> Color shown is Champagne	 <b>O9 Colorline Disposer Flange Kit</b> WD-900-PWT WD-900-SHG WD-900-MBK WD-900-CHA WD-900-OYS WD-900-MOC <b>\$105</b> Color shown is Matte Black	 <b>O10 Drain Cover</b> 4 <sup>1</sup> / <sub>2</sub> " Stainless RNDCVR 112.0532.169 <b>\$110</b>	 <b>Active</b> Matte Black ACT-PO-MBK 115.0656.848 <b>\$810</b>	

# Maris



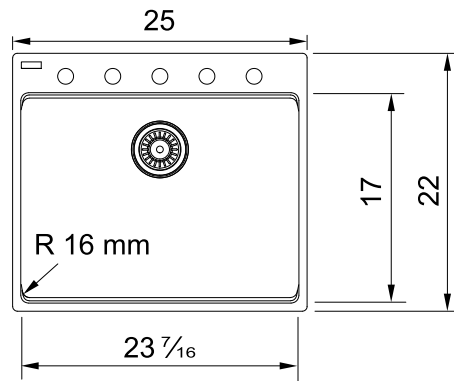
Laundry Sink

**MAG61023L**  
\$710



Interior Dimensions: 23<sup>7</sup>/<sub>16</sub>" x 17" x 12"  
Exterior Dimensions: 25" x 22"  
Minimum Cabinet Size: 27" (topmount)  
30" (undermount)  
Weight: 35 lbs.  
Corner Radius: 16mm  
Installation: Dual Mount  
Pre-scored Faucet Hole: 1 to 5

Accessories Optional  
O3 O8 O9 O12 O13 O14 O15



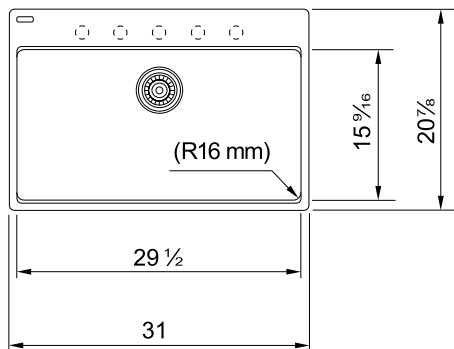
-  Polar White  
**MAG61023L-PWT**  
114.0637.874  
\$710
-  Stone Grey  
**MAG61023L-SHG**  
114.0637.873  
\$710
-  Onyx  
**MAG61023L-ONY**  
114.0637.872  
\$710
-  Matte Black  
**MAG61023L-MBK**  
114.0637.878  
\$710
-  Champagne  
**MAG61023L-CHA**  
114.0637.877  
\$710
-  Oyster  
**MAG61023L-OYS**  
114.0637.876  
\$710
-  Mocha  
**MAG61023L-MOC**  
114.0688.139  
\$710



**MAG61029**  
\$690

Interior Dimensions: 29<sup>1</sup>/<sub>2</sub>" x 15<sup>9</sup>/<sub>16</sub>" x 9<sup>1</sup>/<sub>2</sub>"  
Exterior Dimensions: 31" x 20<sup>7</sup>/<sub>16</sub>"  
Minimum Cabinet Size: 33"  
Weight: 37 lbs.  
Corner Radius: 16mm  
Installation: Topmount  
Pre-scored Faucet Hole: 1 to 5

Accessories Optional  
O1 O4 O6 O10 O12 O13 O14 O15



-  Polar White  
**MAG61029-PWT**  
114.0687.104  
\$690
-  Stone Grey  
**MAG61029-SHG**  
114.0687.105  
\$690
-  Onyx  
**MAG61029-ONY**  
114.0687.102  
\$690
-  Matte Black  
**MAG61029-MBK**  
114.0687.100  
\$690
-  Champagne  
**MAG61029-CHA**  
114.0687.099  
\$690
-  Oyster  
**MAG61029-OYS**  
114.0687.103  
\$690
-  Mocha  
**MAG61029-MOC**  
114.0687.101  
\$690

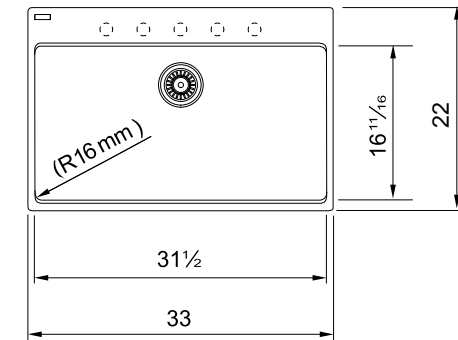
# Maris



**MAG61031**  
\$710

Interior Dimensions: 31<sup>1</sup>/<sub>2</sub>" x 16<sup>11</sup>/<sub>16</sub>" x 9<sup>1</sup>/<sub>2</sub>"  
Exterior Dimensions: 33" x 22"  
Minimum Cabinet Size: 36"  
Weight: 39 lbs.  
Corner Radius: 16mm  
Installation: Topmount  
Pre-scored Faucet Hole: 1 to 5

Accessories Optional  
O2 O5 O7 O11 O12 O13 O14 O15



-  Polar White  
**MAG61031-PWT**  
114.0686.985  
\$710
-  Stone Grey  
**MAG61023-SHG**  
114.0686.986  
\$710
-  Onyx  
**MAG61023-ONY**  
114.0686.983  
\$710
-  Matte Black  
**MAG61031-MBK**  
114.0686.981  
\$710
-  Champagne  
**MAG61031-CHA**  
114.0686.940  
\$710
-  Oyster  
**MAG61031-OYS**  
114.0686.984  
\$710
-  Mocha  
**MAG61031-MOC**  
114.0686.982  
\$710

## ACCESSORIES OPTIONAL

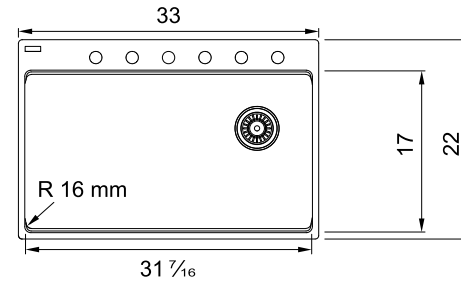
- |  |   |  |   |   |  |
|--|---|--|---|---|--|
| <br><b>O1 Bottom Grid</b><br>27 <sup>3</sup> / <sub>16</sub> " x 14"<br>Stainless<br>MA-29-36S<br>112.0687.980<br>\$280                                    | <br><b>O2 Bottom/<br/>Shelf Grid</b><br>29 <sup>3</sup> / <sub>16</sub> " x 15 <sup>1</sup> / <sub>8</sub> "<br>Stainless<br>MA2-31-36S<br>112.0687.991<br>\$295                    | <br><b>O3 Colander</b><br>6 <sup>1</sup> / <sub>2</sub> " x 17 <sup>1</sup> / <sub>2</sub> " x 2 <sup>1</sup> / <sub>8</sub> "<br>Stainless<br>PE-70S<br>112.0334.171<br>\$275 | <br><b>O4 Colander</b><br>6 <sup>1</sup> / <sub>2</sub> " x 16"<br>Stainless<br>MAC-70S<br>112.0688.103<br>\$240                                      | <br><b>O5 Colander</b><br>6 <sup>1</sup> / <sub>2</sub> " x 17 <sup>3</sup> / <sub>16</sub> " x 2 <sup>1</sup> / <sub>8</sub> "<br>Stainless<br>PX-70S<br>112.0066.060<br>\$265 | <br><b>O6 Cutting<br/>Board</b><br>11 <sup>1</sup> / <sub>2</sub> " x 16 <sup>1</sup> / <sub>2</sub> "<br>Maple<br>MAC-40S<br>112.0688.104<br>\$210 |
| <br><b>O7 Cutting<br/>Board</b><br>11 <sup>1</sup> / <sub>2</sub> " x 18"<br>Maple<br>MA2-40S<br>112.0688.102<br>\$210                                    | <br><b>O8 Cutting<br/>Board</b><br>11 <sup>1</sup> / <sub>2</sub> " x 18 <sup>1</sup> / <sub>2</sub> "<br>Maple<br>MA3-40S<br>112.0643.597<br>\$210                                | <br><b>O9 Utility Roller<br/>Mat</b><br>18 <sup>1</sup> / <sub>2</sub> " x 17 <sup>1</sup> / <sub>2</sub> "<br>Stainless<br>MA-17-31LRM<br>112.0643.576<br>\$180              | <br><b>O10 Roller Mat</b><br>11 <sup>3</sup> / <sub>4</sub> " x 16 <sup>1</sup> / <sub>2</sub> "<br>Stainless<br>PKG14-31RM<br>112.0256.867<br>\$165 | <br><b>O11 Roller Mat</b><br>18 <sup>1</sup> / <sub>2</sub> " x 17 <sup>1</sup> / <sub>2</sub> "<br>Stainless<br>MA2-31RM<br>112.0080.355<br>\$180                             | <br><b>O12 Strainer<br/>Basket</b><br>Chrome<br>1145<br>112.0055.508<br>\$75<br>Satin Nickel<br>1145SN<br>112.0185.195<br>\$105                     |
| <br><b>O13 Colorline<br/>Strainer<br/>Basket</b><br>900-PWT<br>900-SHG<br>900-MBK<br>900-CHA<br>900-OYS<br>900-MOC<br>\$95<br>Color shown is<br>Champagne | <br><b>O14 Colorline<br/>Disposer<br/>Flange Kit</b><br>WD-900-PWT<br>WD-900-SHG<br>WD-900-MBK<br>WD-900-CHA<br>WD-900-OYS<br>WD-900-MOC<br>\$105<br>Color shown is<br>Matte Black | <br><b>O15 Drain Cover</b><br>4 <sup>1</sup> / <sub>2</sub> "<br>Stainless<br>RND CVR<br>112.0532.169<br>\$110  | <br><b>Active</b><br>Matte Black<br>ACT-PO-MBK<br>115.0656.848<br>\$810  |   |  |



**MAG610310W**  
\$710

Interior Dimensions: 31<sup>1</sup>/<sub>16</sub>" x 17" x 9<sup>1</sup>/<sub>2</sub>"  
Exterior Dimensions: 33" x 22"  
Minimum Cabinet Size: 36"  
Weight: 40 lbs.  
Corner Radius: 16mm  
Installation: Topmount  
Pre-scored Faucet Hole: 1 to 6

Accessories Optional



# Maris

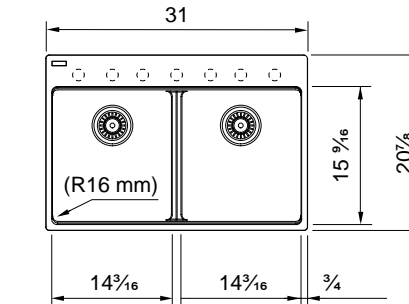
- Polar White  
**MAG610310W-PWT**  
114.0637.881  
**\$710**
- Stone Grey  
**MAG610310W-SHG**  
114.0637.880  
**\$710**
- Onyx  
**MAG610310W-ONY**  
114.0637.879  
**\$710**
- Matte Black  
**MAG610310W-MBK**  
114.0637.885  
**\$710**
- Champagne  
**MAG610310W-CHA**  
114.0637.884  
**\$710**
- Oyster  
**MAG610310W-OYS**  
114.0637.883  
**\$710**
- Mocha  
**MAG610310W-MOC**  
114.0688.138  
**\$710**



**MAG6201414**  
\$730

Interior Dimensions: 29<sup>1</sup>/<sub>2</sub>" x 15<sup>9</sup>/<sub>16</sub>" x 9<sup>1</sup>/<sub>2</sub>"  
Exterior Dimensions: 31" x 20<sup>7</sup>/<sub>8</sub>"  
Minimum Cabinet Size: 33"  
Weight: 42 lbs.  
Corner Radius: 16mm  
Installation: Topmount  
Pre-scored Faucet Hole: 1 to 7

Accessories Optional



# Maris

- Polar White  
**MAG6201414-PWT**  
114.0687.076  
**\$730**
- Stone Grey  
**MAG6201414-SHG**  
114.0687.077  
**\$730**
- Onyx  
**MAG6201414-ONY**  
114.0687.074  
**\$730**
- Matte Black  
**MAG6201414-MBK**  
114.0687.072  
**\$730**
- Champagne  
**MAG6201414-CHA**  
114.0687.071  
**\$730**
- Oyster  
**MAG6201414-OYS**  
114.0687.075  
**\$730**
- Mocha  
**MAG6201414-MOC**  
114.0687.073  
**\$730**

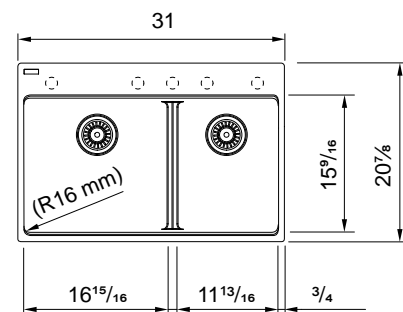


Low Divide Sink

**MAG6601611LD**  
\$730

Interior Dimensions: 29<sup>1</sup>/<sub>2</sub>" x 15<sup>9</sup>/<sub>16</sub>" x 9<sup>1</sup>/<sub>2</sub>"  
Exterior Dimensions: 31" x 20<sup>7</sup>/<sub>8</sub>"  
Minimum Cabinet Size: 33"  
Weight: 39 lbs.  
Corner Radius: 16mm  
Installation: Topmount  
Pre-scored Faucet Hole: 1 to 5

Accessories Optional



## ACCESSORIES OPTIONAL

- |  |  |   |   |  |  |
|--|--|---|---|--|--|
| <p><b>O1 Bottom/ Shelf Grid</b><br/>(Left) 14<sup>3</sup>/<sub>16</sub>" x 15<sup>1</sup>/<sub>16</sub>"<br/>(Right) 14<sup>3</sup>/<sub>16</sub>" x 15<sup>1</sup>/<sub>16</sub>"<br/>Stainless<br/>MA-31-36S<br/>112.0643.593<br/><b>\$295</b></p> | <p><b>O2 Bottom Grid</b><br/>15<sup>1</sup>/<sub>16</sub>" x 14"<br/>Stainless<br/>MA-16-36S<br/>112.0687.994<br/><b>\$210</b></p>                       | <p><b>O3 Bottom Grid</b><br/>10<sup>3</sup>/<sub>16</sub>" x 14"<br/>Stainless<br/>MA-11-36S<br/>112.0687.995<br/><b>\$170</b></p>                        | <p><b>O4 Bottom Grid</b><br/>12<sup>1</sup>/<sub>16</sub>" x 14"<br/>Stainless<br/>MA-14-36S<br/>112.0687.992<br/><b>\$190</b></p>                            | <p><b>O5 Colander</b><br/>6<sup>1</sup>/<sub>16</sub>" x 17<sup>1</sup>/<sub>16</sub>" x 2<sup>1</sup>/<sub>16</sub>"<br/>Stainless<br/>PE-70S<br/>112.0334.171<br/><b>\$275</b></p> | <p><b>O6 Colander</b><br/>6<sup>1</sup>/<sub>16</sub>" x 16"<br/>Stainless<br/>MAC-70S<br/>112.0688.103<br/><b>\$240</b></p>                                     |
| <p><b>O7 Cutting Board</b><br/>11<sup>3</sup>/<sub>16</sub>" x 18<sup>3</sup>/<sub>16</sub>"<br/>Maple<br/>MA3-40S<br/>112.0643.597<br/><b>\$210</b></p>   | <p><b>O8 Cutting Board</b><br/>11<sup>3</sup>/<sub>16</sub>" x 16<sup>3</sup>/<sub>16</sub>"<br/>Maple<br/>MAC-40S<br/>112.0688.104<br/><b>\$210</b></p> | <p><b>O9 Roller Mat</b><br/>18<sup>1</sup>/<sub>16</sub>" x 17<sup>1</sup>/<sub>16</sub>"<br/>Stainless<br/>MA-31RM<br/>112.0643.591<br/><b>\$180</b></p> | <p><b>O10 Roller Mat</b><br/>11<sup>3</sup>/<sub>16</sub>" x 16<sup>3</sup>/<sub>16</sub>"<br/>Stainless<br/>PKG14-31RM<br/>112.0256.867<br/><b>\$165</b></p> | <p><b>O11 Strainer Basket</b><br/>Chrome<br/>1145<br/>112.0055.508<br/><b>\$75</b><br/>Satin Nickel<br/>1145SN<br/>112.0185.195<br/><b>\$105</b></p>                                 | <p><b>O12 Colorline Strainer Basket</b><br/>900-PWT<br/>900-SHG<br/>900-MBK<br/>900-CHA<br/>900-OYS<br/>900-MOC<br/><b>\$95</b><br/>Color shown is Champagne</p> |
| <p><b>O13 Colorline Disposer Flange Kit</b><br/>WD-900-PWT<br/>WD-900-SHG<br/>WD-900-MBK<br/>WD-900-CHA<br/>WD-900-OYS<br/>WD-900-MOC<br/><b>\$105</b><br/>Color shown is Matte Black</p>  | <p><b>O14 Drain Cover</b><br/>4"<br/>Stainless<br/>RNDCVR<br/>112.0532.169<br/><b>\$110</b></p>  | <p><b>Active</b><br/>Matte Black<br/>ACT-PO-MBK<br/>115.0656.848<br/><b>\$810</b></p>   |   |  |  |

Note: All accessories sold separately unless otherwise indicated. Design of custom accessories subject to change without notice. It is absolutely critical that you have the sink and any custom sink accessories on-site prior to any cut or modification to the countertop. Franke will not be responsible for any errors in countertop preparation and sink installation.

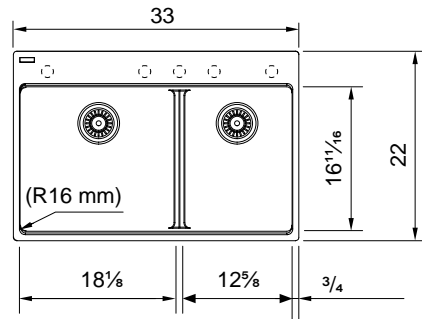


Low Divide Sink

**NEW** **MAG6601812LD**  
\$760

Interior Dimensions: 31½" x 16⅞" x 9½"  
Exterior Dimensions: 33" x 22"  
Minimum Cabinet Size: 36"  
Weight: 42 lbs.  
Corner Radius: 16mm  
Installation: Topmount  
Pre-scored Faucet Hole: 1 to 5

Accessories Optional



-  Polar White  
**MAG6601812LD-PWT**  
114.0687.013  
\$760
-  Stone Grey  
**MAG6601812LD-SHG**  
114.0687.014  
\$760
-  Onyx  
**MAG6601812LD-ONY**  
114.0687.011  
\$760
-  Matte Black  
**MAG6601812LD-MBK**  
114.0687.009  
\$760
-  Champagne  
**MAG6601812LD-CHA**  
114.0687.008  
\$760
-  Oyster  
**MAG6601812LD-OYS**  
114.0687.012  
\$760
-  Mocha  
**MAG6601812LD-MOC**  
114.0687.010  
\$760

# Maris

## ACCESSORIES OPTIONAL

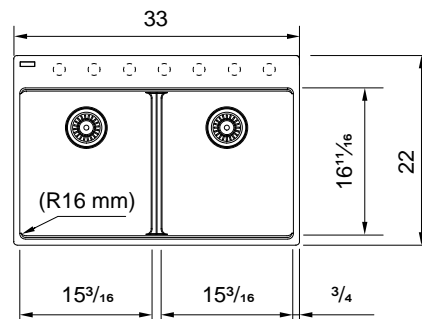
-  **O1 Bottom Grid**  
16⅞" x 15⅞"  
Stainless  
MA-18-36S  
112.0687.996  
\$220
-  **O2 Bottom Grid**  
11⅞" x 15⅞"  
Stainless  
MA-12-36S  
112.0687.997  
\$180
-  **O3 Bottom Grid**  
13⅞" x 15⅞"  
Stainless  
MA-15-36S  
112.0687.993  
\$200
-  **O4 Roller Mat**  
18⅞" x 17⅞"  
Stainless  
MA2-31RM  
112.0080.355  
\$180
-  **O5 Colander**  
6⅞" x 17⅞" x 2⅞"  
Stainless  
PX-70S  
112.0066.060  
\$265
-  **O6 Maple Cutting Board**  
11⅞" x 18"  
Solid Wood  
MA2-40S  
112.0688.102  
\$210
-  **O7 Strainer Basket**  
Chrome  
1145  
112.0055.508  
\$75  
Satin Nickel  
1145SN  
112.0185.195  
\$105
-  **O8 Colorline Strainer Basket**  
900-PWT  
900-SHG  
900-MBK  
900-CHA  
900-OYS  
900-MOC  
\$95  
Color shown is Champagne
-  **O9 Colorline Disposer Flange Kit**  
WD-900-PWT  
WD-900-SHG  
WD-900-MBK  
WD-900-CHA  
WD-900-OYS  
WD-900-MOC  
\$105  
Color shown is Matte Black
-  **O10 Drain Cover**  
4⅞"  
Stainless  
RNDCVR  
112.0532.169  
\$110
-  **Active**  
Matte Black  
ACT-PO-MBK  
115.0656.848  
\$810



**NEW** **MAG6201515**  
\$760

Interior Dimensions: 31½" x 16⅞" x 9½"  
Exterior Dimensions: 33" x 22"  
Minimum Cabinet Size: 36"  
Weight: 43 lbs.  
Corner Radius: 16mm  
Installation: Topmount  
Pre-scored Faucet Hole: 1 to 7

Accessories Optional



-  Polar White  
**MAG6201515-PWT**  
114.0687.013  
\$760
-  Stone Grey  
**MAG6201515-SHG**  
114.0687.014  
\$760
-  Onyx  
**MAG6201515-ONY**  
114.0687.011  
\$760
-  Matte Black  
**MAG6201515-MBK**  
114.0687.009  
\$760
-  Champagne  
**MAG6201515-CHA**  
114.0687.008  
\$760
-  Oyster  
**MAG6201515-OYS**  
114.0687.012  
\$760
-  Mocha  
**MAG6201515-MOC**  
114.0687.010  
\$760

# Maris ADA

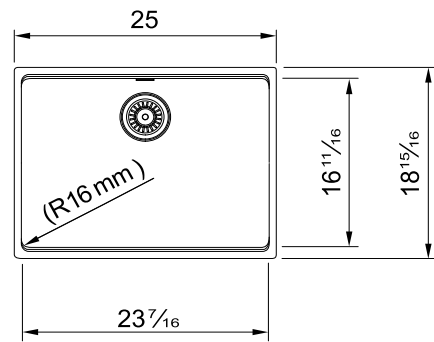


**NEW** **MAG11023ADA**  
\$660

Interior Dimensions: 23<sup>7</sup>/<sub>16</sub>" x 16<sup>11</sup>/<sub>16</sub>" x 5"  
Exterior Dimensions: 25" x 18<sup>15</sup>/<sub>16</sub>"  
Minimum Cabinet Size: 30"  
Weight: 32 lbs.  
Corner Radius: 16mm  
Installation: Undermount

Accessories Optional


- O1
- O2
- O3
- O4
- O5
- O6
- O7
- O8





- Polar White  
**MAG11023ADA-PWT**  
125.0687.041  
**\$660**
- Stone Grey  
**MAG11023ADA-SHG**  
125.0687.042  
**\$660**
- Onyx  
**MAG11023ADA-ONY**  
125.0687.039  
**\$660**
- Matte Black  
**MAG11023ADA-MBK**  
125.0687.037  
**\$660**
- Champagne  
**MAG11023ADA-CHA**  
125.0687.036  
**\$660**
- Oyster  
**MAG11023ADA-OYS**  
125.0687.040  
**\$660**
- Mocha  
**MAG11023ADA-MOC**  
125.0687.038  
**\$660**


# Maris ADA


## ACCESSORIES OPTIONAL


- 


**O1 Bottom Grid**  
22<sup>3</sup>/<sub>16</sub>" x 15<sup>3</sup>/<sub>4</sub>"  
Stainless  
MAA-23-36S  
112.0687.998  
**\$240**
- 


**O2 Colander**  
6<sup>1</sup>/<sub>2</sub>" x 17<sup>3</sup>/<sub>16</sub>" x 2<sup>1</sup>/<sub>2</sub>"  
Stainless  
PX-70S  
112.0066.060  
**\$265**
- 


**O3 Cutting Board**  
11<sup>1</sup>/<sub>2</sub>" x 18"  
Maple  
MA2-40S  
112.0688.102  
**\$210**
- 

**O4 Roller Mat**  
18<sup>1</sup>/<sub>16</sub>" x 17<sup>3</sup>/<sub>16</sub>"  
Stainless  
MA2-31RM  
112.0080.355  
**\$180**
- 

**O5 Strainer Basket**  
Chrome  
1145  
112.0055.508  
**\$75**  
Satin Nickel  
1145SN  
112.0185.195  
**\$105**
- 

**O6 Colorline Strainer Basket**  
900-PWT  
900-SHG  
900-MBK  
900-CHA  
900-OYS  
900-MOC  
**\$95**  
Color shown is Champagne
- 

**O7 Colorline Disposer Flange Kit**  
WD-900-PWT  
WD-900-SHG  
WD-900-MBK  
WD-900-CHA  
WD-900-OYS  
WD-900-MOC  
**\$105**  
Color shown is Matte Black
- 

**O8 Drain Cover**  
4<sup>1</sup>/<sub>2</sub>"  
Stainless  
RNDCVR  
112.0532.169  
**\$110**
- 

**Active**  
Matte Black  
ACT-PO-MBK  
115.0656.848  
**\$810**

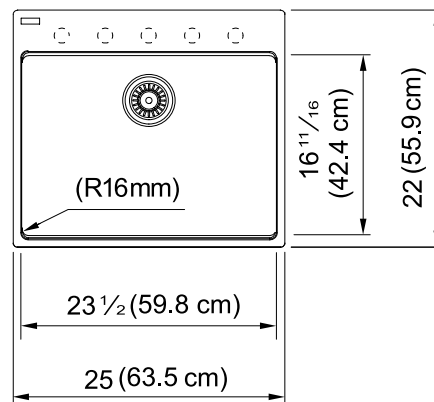


**NEW** **MAG61023ADA**  
\$635

Interior Dimensions: 23<sup>1</sup>/<sub>2</sub>" x 16<sup>11</sup>/<sub>16</sub>" x 5"  
Exterior Dimensions: 25" x 22"  
Minimum Cabinet Size: 27"  
Weight: 34 lbs.  
Corner Radius: 16mm  
Installation: Topmount  
Pre-scored Faucet Hole: 1 to 5

Accessories Optional

- O1
- O2
- O3
- O4
- O5
- O6
- O7
- O8



- Polar White  
**MAG61023ADA-PWT**  
114.0687.055  
**\$635**
- Stone Grey  
**MAG61023ADA-SHG**  
114.0687.056  
**\$635**
- Onyx  
**MAG61023ADA-ONY**  
114.0687.053  
**\$635**
- Matte Black  
**MAG61023ADA-MBK**  
114.0687.051  
**\$635**
- Champagne  
**MAG61023ADA-CHA**  
114.0687.050  
**\$635**
- Oyster  
**MAG61023ADA-OYS**  
114.0687.054  
**\$635**
- Mocha  
**MAG61023ADA-MOC**  
114.0687.052  
**\$635**