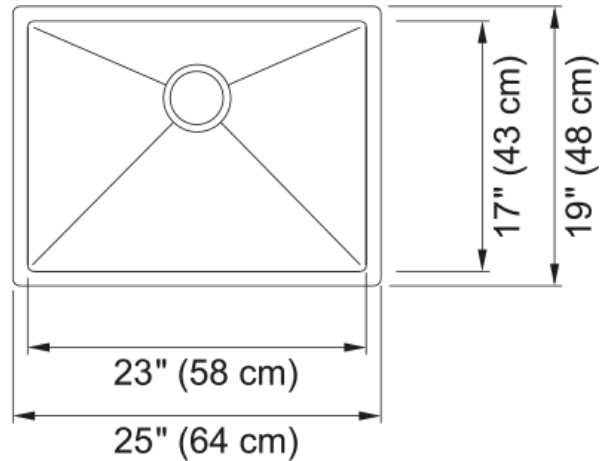


## Outdoor Undermount Sink-ODX110-2310-316 | 122.0274.293



Whether your preference is for casual backyard barbecues or elaborate summertime soirees, your outdoor kitchen workspace requires a sink that stands up to the elements and enhances your entertaining style. The Franke Outdoor Series is designed with the attention to detail and quality that is the hallmark of Franke products. The simple styling of this undermount design features angled interior lines to promote better draining and help keep your sink clean. Made of 18-gauge T316 stainless, for an outdoor kitchen that will retain its beauty and integrity for years to come. Sink includes PS23-36S bottom grid and 1140F-316 waste kit. Sink dimensions 25.0-in. x 19.0-in. x 10-in

### Aspect

Sink type	Sink
Type of material	Stainless steel
Number of bowls	1
Product color	Steel
Surface finish	Silk

### Product Dimensions

Length (right to left)	25
Width (front to back)	19
Large bowl size: right to left	23
Large bowl size: front to back	17
Large bowl: depth	12

### Installation

Minimum cabinet size	30"
----------------------	-----

### Product specifications

Installation type	Undermount
Drain hole	3 1/2"
Position of drainer	No drainer

### Product identification

Brand	FRANKE
Product family	None
Collection	Professional Series
Certified by	CE

### Features

Drainers number	No drainer
Product reversibility	No

Faucet ledge	No
Strainer assembly included	Yes
Strainer Assembly	Manual
Overflow	No
Number of faucet holes	No faucet hole
Soap dispenser hole	No