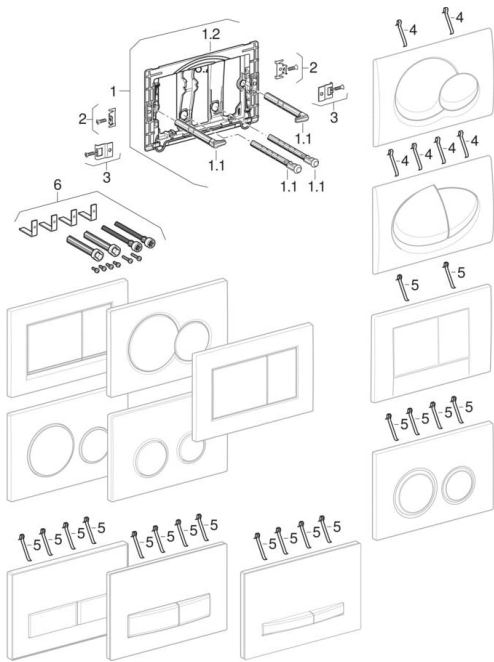


spdp-title Actuator plates Sigma, Samba, Bolero, Twist, for dual flush 2000 -



SPDP-OVERVIEW-TYPES

Bolero, Samba, Sigma01, Sigma20, Sigma21, Sigma30, Sigma50, Twist

SPDP-TECHICALDATA

Year of manufacture from 2000
Dimensions / Design Actuator plate: 24.6 x 16.4 cm

SPDP-RELATED-SPAREPARTS

- Sigma concealed cisterns 12 cm (UP320)
- Sigma concealed cisterns 12 cm (UP300)
- Sigma concealed cisterns 8 cm, front actuation (UP720)
- UP700 concealed cisterns
- Overview actuator plates and cover plates for Sigma concealed cisterns

INFO

- Only the listed articles are available

<i>spdp-POS</i>	<i>spdp-article-number</i>	<i>spdp-description</i>	<i>spdp-replacementFor</i>	<i>spdp-remarks</i>
1	241.873.00.1	Geberit conversion set for Danceline actuator plate	240.935.00.1, 241.875.00.1	
1.1	241.874.00.1	Geberit set of actuator rods for Sigma concealed cistern		From year of manufacture 2008

<i>spdp-pos</i>	<i>spdp-article-number</i>	<i>spdp-description</i>	<i>spdp-replacementfo</i>	<i>spdp-remarks</i>
1.2	241.876.00.1	Geberit mounting frame for Sigma actuator plate		From year of manufacture 2008
2	241.877.00.1	Geberit fastening material for Sigma and Delta actuator plates		For mounting frame Sigma (from year of manufacture 2008)
3	240.698.00.1	Geberit fastening material for vandal-proof fastening for Twist actuator plate		
4	813.514.00.1	Geberit spring for actuator plate		
5	241.295.00.1	Geberit set of springs for actuator plate (10 pc.)		
6	240.938.00.1	Geberit extension set for Sigma, Omega and Kappa concealed cisterns		

SPDP-MAIN-ARTICLES

- 115.782.21.1
- 115.785.GH.1
- 115.882.16.1
- 115.770.FR.5
- 115.777.81.1
- 115.777.BM.1
- 115.770.EP.5
- 115.780.DT.1
- 115.770.45.1
- 115.778.KN.1
- 115.777.GM.1
- 115.770.DP.1
- 115.770.FR.1
- 115.882.SN.1
- 115.761.00.5
- 115.777.FK.1
- 115.882.01.1
- 115.650.00.1
- 115.788.JX.2
- 115.672.JX.2
- 115.883.KH.1
- 115.883.11.1
- 115.883.KM.1
- 115.652.SI.1
- 115.770.79.5
- 115.650.JV.1
- 115.770.46.5
- 115.670.11.2
- 115.882.KK.1
- 115.884.SI.1
- 115.770.BN.1
- 115.788.SQ.5
- 115.788.SD.5
- 115.778.SN.1
- 115.660.11.1
- 115.788.SD.2
- 115.788.DW.2
- 115.651.JX.1
- 115.788.JL.2
- 115.882.JQ.1
- 115.777.DT.1
- 115.788.SQ.2
- 115.770.KB.1
- 115.770.BP.1
- 115.670.DW.2
- 115.780.45.1
- 115.770.DW.5
- 115.651.SI.1
- 115.770.GM.5
- 115.770.GM.1
- 115.770.46.1
- 115.770.KA.5
- 115.882.DW.1
- 115.884.JM.1
- 115.788.TG.2
- 115.780.21.1
- 115.883.14.1
- 115.761.00.7
- 115.884.SJ.1
- 115.788.GH.1
- 115.884.TG.1
- 115.788.SE.5
- 115.770.SX.5
- 115.882.11.1
- 115.788.GH.5
- 115.770.81.1
- 115.671.11.2
- 115.761.00.6
- 115.780.00.1
- 115.788.00.1
- 115.882.KN.1
- 115.770.FL.1
- 115.770.FB.1
- 115.882.KM.1
- 115.780.46.1
- 115.777.DK.1
- 115.788.SE.1
- 115.883.JT.1
- 115.761.00.I
- 115.770.10.5
- 115.777.46.1
- 115.884.JL.1
- 115.777.21.1
- 115.882.JT.1
- 115.651.00.1
- 115.781.SN.1
- 115.761.00.1
- 115.770.21.5
- 115.671.JM.2
- 115.671.DW.2
- 115.770.DK.5
- 115.883.KJ.1
- 115.788.JK.2
- 115.883.JQ.1
- 115.650.SJ.1
- 115.788.GH.2
- 115.780.00.1
- 115.660.JQ.1
- 115.652.00.1
- 115.650.JX.1
- 115.778.KM.1
- 115.770.JQ.5
- 115.672.11.2
- 115.670.00.2
- 115.777.10.1
- 115.884.JX.1
- 115.788.11.5
- 115.770.FE.1
- 115.770.FQ.1
- 115.672.JM.2
- 115.882.KJ.1
- 115.883.KK.1
- 115.777.CG.1
- 115.882.KL.1
- 115.777.BP.1
- 115.770.DT.1
- 115.770.FB.5
- 115.651.JM.1
- 115.883.01.1
- 115.884.JV.1
- 115.770.FK.1
- 115.788.SD.1
- 115.883.16.1
- 115.777.FB.1
- 115.882.KJ.1
- 115.770.11.5
- 115.770.LA.5

- 115.770.FN.1
- 115.780.11.1
- 115.770.EP.1
- 115.788.21.5
- 115.770.GC.1
- 115.660.21.1
- 115.777.KB.1
- 115.770.DT.5
- 115.882.KH.1
- 115.672.00.2
- 115.770.LB.5
- 115.883.KL.1
- 115.780.GM.1
- 115.650.SI.1
- 115.652.SJ.1
- 115.761.00.2
- 115.780.HC.1
- 115.770.BM.1
- 115.777.FA.1
- 115.770.FY.5
- 115.672.QF.2
- 115.788.DW.5
- 115.788.SC.5
- 115.672.DW.2
- 115.770.DK.1
- 115.770.DW.1
- 115.788.00.5
- 115.770.FA.1
- 115.670.QB.2
- 115.788.11.1
- 115.650.JM.1
- 115.777.FQ.1
- 115.770.GE.1
- 115.770.CP.1
- 115.777.CP.1
- 115.761.00.4
- 115.788.DW.1
- 115.652.JV.1
- 115.671.JX.2
- 115.670.JV.2
- 115.770.11.1
- 115.788.JV.2
- 115.778.KL.1
- 115.788.EP.1
- 115.777.DW.1
- 115.671.QD.2
- 115.671.00.2
- 115.778.KJ.1
- 115.788.00.2
- 115.770.10.1
- 115.651.SJ.1
- 115.660.DW.1
- 115.777.11.1
- 115.770.CG.1
- 115.883.KN.1
- 115.788.11.2
- 115.770.ET.1
- 115.882.14.1
- 115.788.EP.5
- 115.788.JM.2
- 115.770.EU.1
- 115.672.JV.2
- 115.670.JM.2
- 115.777.BN.1
- 115.652.JM.1
- 115.652.JX.1
- 115.761.00.3
- 115.883.DW.1
- 115.770.EL.1
- 115.788.SC.1
- 115.770.21.1
- 115.777.45.1
- 115.671.JV.2
- 115.778.KK.1
- 115.651.JV.1
- 115.770.CG.5
- 115.777.FR.1
- 115.889.SN.1
- 115.884.00.1
- 115.770.BY.1
- 115.780.KA.1
- 115.670.JX.2
- 115.777.FL.1
- 115.777.EP.1
- 115.778.KH.1
- 115.788.21.2
- 115.782.46.1