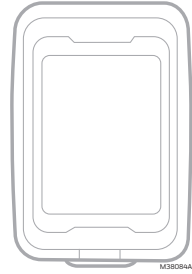


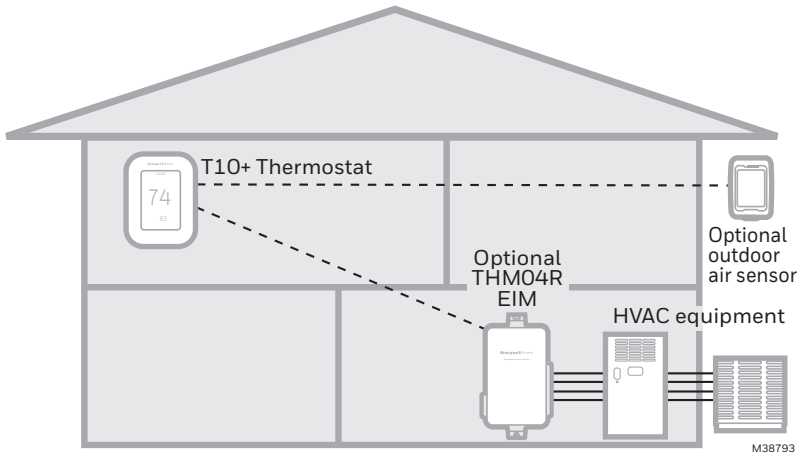


## C7089R3013 RedLINK® 3.0 Wireless Outdoor Sensor

### Installation Guide



Français : voir la page 5 • Español: vea la página 9



### Installation procedure

- 1 Install batteries in RedLINK 3.0 outdoor sensor ..... Page 2
- 2 Link to wireless network..... Page 2
- 3 Mount outdoor sensor..... Page 3

To replace system components, if needed, see page 5.



#### If there is more than one T10+ thermostat:

Wireless devices must be linked separately to each T10+ thermostat (eight T10+ thermostats max per C7089R3013 sensor).

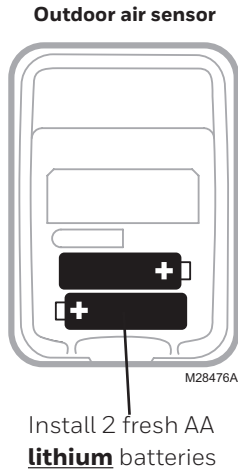


## Use C7089R3013 RedLINK 3.0 wireless outdoor sensor with up to eight compatible T10+ thermostat models

T10+ Thermostats	Model Number
T10+ Thermostat with Indoor Sensor	THX321WFS3001W
T10+ Thermostat without Sensor	THX321WF3003W
T10+ Thermostat, EIM, RATS/DATS, Wireless Indoor Sensor	YTHM1004R3000
T10+ Thermostat, EIM, RATS/DATS, OAS, Wireless Indoor Sensor	YTHM1004R3001

### 1 Install batteries in wireless outdoor sensor

Make sure batteries are inserted properly. (See polarity marks on illustration below.)



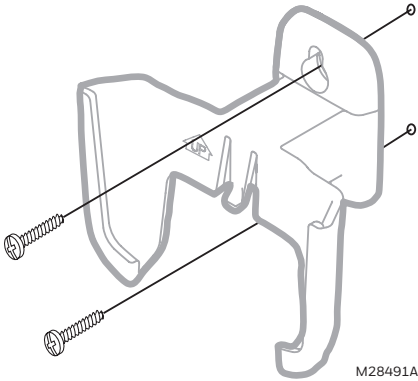
### 2 Link RedLINK 3.0 wireless outdoor sensor to T10+ thermostat

#### At T10+ thermostat:

- 1 Open the menu.
- 2 Tap **Devices & Sensors**.
- 3 Tap **Add**.
- 4 Follow the on-screen instructions.

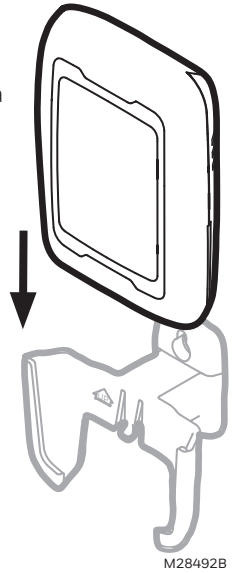


### 3 Mount outdoor sensor



Mount the sensor on a vertical exterior wall, at least 6 inches below any overhang. Choose a location protected from direct sunlight.

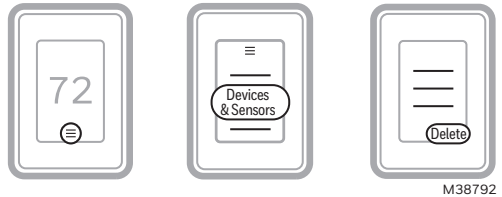
Place sensor securely in bracket, facing away from wall.



### Replacing outdoor sensor

**At T10+ thermostat:**

- 1 Open the menu.
- 2 Choose **Installer options** and enter passcode.
- 3 Tap **Devices & Sensors**.
- 4 Select **Outdoor Sensor**.
- 5 Select **Delete**.



After the outdoor sensor has been deleted you can add a new outdoor sensor by selecting "Add" as shown on page 2.

# Regulatory information

## FCC Compliance Statement (Part 15.19) (USA only)

This device complies with Part 15 of the FCC Rules. Operation is subject to the following two conditions:

- 1 This device may not cause harmful interference, and
- 2 This device must accept any interference received, including interference that may cause undesired operation.

## FCC Warning (Part 15.21) (USA only)

Changes or modifications not expressly approved by the party responsible for compliance could void the user's authority to operate the equipment.

## FCC Interference Statement (Part 15.105 (b)) (USA only)

This equipment has been tested and found to comply with the limits for a Class B digital device, pursuant to Part 15 of the FCC Rules. These limits are designed to provide reasonable protection against harmful interference in a residential installation. This equipment generates uses and can radiate radio frequency energy and, if not installed and used in accordance with the instructions, may cause harmful interference to radio communications. However, there is no guarantee that interference will not occur in a particular installation. If this equipment does cause harmful interference to radio or television reception, which can be determined by turning the equipment off and on, the user is encouraged to try to correct the interference by one of the following measures:

- Reorient or relocate the receiving antenna.
- Increase the separation between the equipment and receiver.
- Connect the equipment into an outlet on a circuit different from that to which the receiver is connected.
- Consult the dealer or an experienced radio/TV technician for help.

## Outdoor sensor

To comply with FCC and Industry Canada RF exposure limits for general population/ uncontrolled exposure, the antenna(s) used for these transmitters must be installed to provide a separation distance of at least 20 cm from all persons and must not be co-located or operating in conjunction with any other antenna or transmitter.

## Section 7.1.5 of RSS-GEN

Operation is subject to the following two conditions:

- 1 this device may not cause interference, and
- 2 this device must accept any interference, including interference that may cause undesired operation of the device.

## Need Help?

For assistance with this product please visit <http://customer.resideo.com> or call Customer Care toll-free at **1-800-468-1502**



Resideo Technologies, Inc.  
1985 Douglas Drive North, Golden Valley, MN 55422  
1-800-633-3991  
33-00604EFS-05 M.S. Rev. 10-22 | Printed in United States

© 2022 Resideo Technologies, Inc. All rights reserved.

The Honeywell Home trademark is used under license from Honeywell International, Inc. This product is manufactured by Resideo Technologies, Inc. and its affiliates.

Tous droits réservés. La marque de commerce Honeywell Home est utilisée avec l'autorisation d'Honeywell International, Inc.

Ce produit est fabriqué par Resideo Technologies, Inc. et ses sociétés affiliées.

Todos los derechos reservados. La marca comercial Honeywell Home se utiliza bajo licencia de Honeywell International, Inc.

Este producto es fabricado por Resideo Technologies, Inc. y sus afiliados.