



HM700ATX

ELECTRODE STEAM HUMIDIFIER REPLACEMENT TRANSFORMER

INSTALLATION INSTRUCTIONS

NOTE: This kit includes one replacement transformer (model HM700ATX/U) intended only for use with the HM700A1000 electrode humidifier.



CAUTION

Before Servicing

1. Disconnect main power source before accessing internal compartments.
2. The plumbing and electrical compartments contain high voltage components and wiring. Access should be limited to licensed HVAC professionals only.
3. During and following operation of the humidifier, the steam components in contact with the steam such as the cylinder, steam lines, steam distributors, and condensate lines can become hot and burn if touched. Please consult HM700 Installation manual for reference.
4. Installations of humidity equipment installed by unqualified personnel or the use of non-Resideo parts and components will void warranty.

Included in the Box

- Transformer
- Philips Screw
- Installation Manual

To Replace the Transformer

1. Shut off water supply to the unit.
2. Open the external disconnect and lock it out using safe work practices.
3. Test to verify supply voltage is no longer present on the transformer or primary terminal block.
4. Within the electrical compartment, take note of the transformers Primary / Secondary orientation and wire terminations.
5. Disconnect the transformer's electrical connections and the screws connecting it to the cabinet.

6. Remove the old transformer.
7. Place the new transformer where the old one was matching the Primary and Secondary side orientation.
8. Secure the transformer using the new mounting equipment.
9. Connect the electrical components following your unit's wiring diagram located on the front cover of the humidifier. Ensuring that the transformer and electrical connections are securely fastened. Note this transformer has multiple leads or connections. Refer to label on the transformer to ensure you are connecting to the proper voltage lead or connection per your unit voltage. Ensure no bare wires are exposed or can be shorted out.
10. Restart the unit as per the start-up instructions in the Installation and Operations Manual provided with your humidifier.

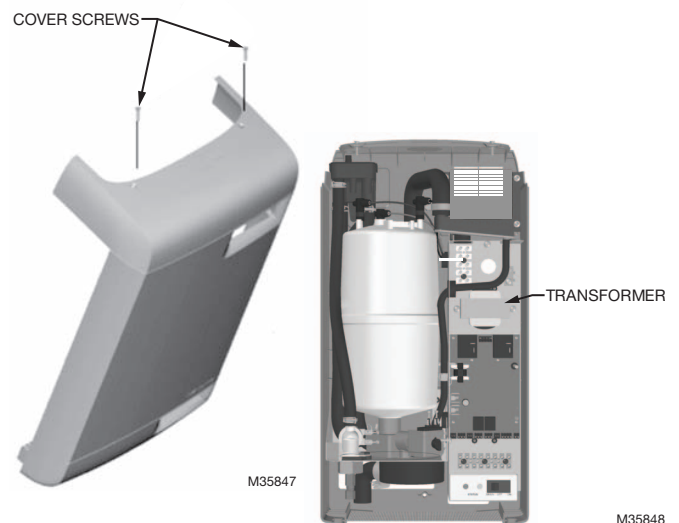


Fig. 1.

For more information on maintenance and replacement, please visit resideo.com or call 1-800-468-1502 or 1-800-814-9452

