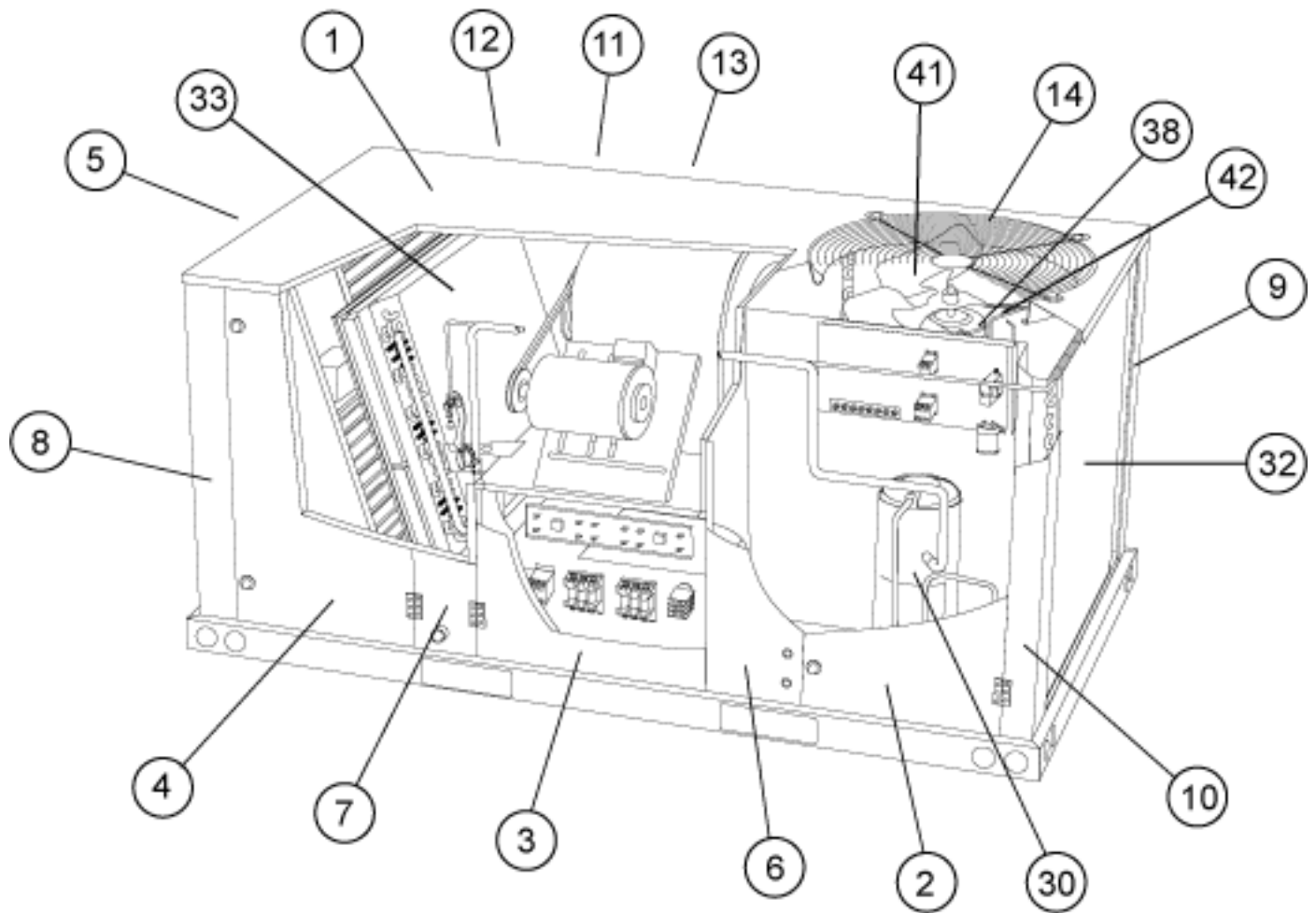


COOLING-PACKAGED
JULY 2007

KCA 024-072 SERIES



KCA024S4				DASH/Revision # with Qty	
Key	Part Name	Part Number	Description	1	2
Category:CABINET PARTS					
1	PANEL-TOP	LB-112051A	ASSY - REPAIR PART PANEL TOP	1	1
10	MULLION	LB-110578	"COND CORNER,FRONT(HNGD)"	1	1
10	MULLION	LB-110579	"COND CORNER,FRONT(NON-HNGD)"	1	1
11	ASSY-REPAIR PART S UPPLY/RETURN PANEL	606633-01	SUPPLY/RETURN PANEL(AFTER 01/ 06/11)	1	1
11	PANEL	LB-112053A	RETURN/SUPPLY-REAR BEFORE 01/0 6/11	1	1
12	COVER-DUCT	LB-112052A	RETURN	1	1
13	COVER-DUCT	LB-112052B	SUPPLY	1	1
14	GRILLE-DISCHARGE	63K6001	GRILLE-DISCHARGE	1	1
	COPPER DRAIN TRAP KIT	LB-107882E	COPPER DRAIN TRAP KIT (AFTER 0 1/06/11)	1	1
	FILTER-AIR	100509-02	"16"" X 20"" X 2"""	4	4
	GUARD-COIL	100996-01	2 PC SET (CAT # 17W87)	1	1
	GUARD-HAIL	100995-01	2 PC SET (CAT # 17W89)	1	1
	HINGE	100595-01	ACCESS DOORS (2 PER DOOR)	6	6
	KIT-HANDLE	LB-95291B	"INC HANDLE,CAM,WASHER,SPRING"	1	1
	PVC DRAIN TRAP KIT	LB-107882D	PVC DRAIN TRAP KIT (AFTER 01/0 6/11)	1	1
	TRAP-CONDENSATE	LB-65843A	PVC(BEFORE 01/06/11)	1	1
	TRAP-CONDENSATE	LB-69287B	COPPER(BEFORE 01/06/11)	1	1
2	PANEL	LB-112057C	"COMP ACCESS, (HNGD)"	1	1
2	PANEL	LB-112057G	"COMP ACCESS, (NON-HNGD)"	1	1
3	PANEL	LB-112055C	"HEAT ACCESS, (HNGD)"	1	1
3	PANEL	LB-112055G	"HEAT ACCESS, (NON-HNGD)"	1	1
4	PANEL	LB-112056A	"FILTER ACCESS, (HNGD)"	1	1
4	PANEL	LB-112056C	"FILTER ACCESS, (NON-HNGD)"	1	1
5	PANEL	LB-112054A	ACCESSORY ACCESS	1	1

KCA024S4				DASH/Revision # with Qty	
Key	Part Name	Part Number	Description	1	2
7	ASSY-REPAIR PART DRAIN PAN MULLION	606631-01	DRAIN PAN(SHORT)(NON-HINGED)AFT T 10/10)	1	1
7	ASSY-REPAIR PART DRAIN PAN MULLION	606631-03	DRAIN PAN(SHORT)(HINGED)(AFT 10/10)	1	1
7	MULLION	LB-112059A	(MULLION DRAIN)(SHORT)(HINGED)	1	1
7	MULLION	LB-112059C	(MULLION DRAIN)(SHORT)(NON-HINGED)	1	1
8	MULLION	LB-112078A	"FILTER/ECONO-FRONT, (HNGD)"	1	1
8	MULLION	LB-112078C	"FILTER/ECONO-FRONT, (NON-HNGD)"	1	1
9	MULLION	LB-109517	"COND CORNER,REAR"(BEFORE 08/29/11)	1	1
9	MULLION - COND CORNER (REAR)	608348-01	MULLION-COND CORN(REAR)AFT 08-29-11)	1	1
Category:COOLING PARTS					
30	COMPRESSOR	100040-02	"2TON,208-230/60/1,COPE"	1	1
			RELAY-OVERLOADCOMP-INTERNAL	1	1
	HARNESS-WIRING	25M3001	COMP	1	1
	MOUNT PKG-COMP	74J3001PR	MOUNT PKG-COMP	1	1
32	COIL-OUTDOOR	600114-01	W/MANIFOLD	1	1
33	COIL-INDOOR	600115-01	W/MANIFOLD	1	1
	CAP-SEAL	P-8-3187	CAP, BRASS	5	5
	DISTRIBUTOR ASSY	LB-111917B	I.D.	1	1
	DRIER	38M7201	DRIER, R410A	1	1
	FITTING PRESS TAP	86G6401	FITTING, PRESSURE TAP	5	5
	PAN - PLASTIC DRAIN	101996-04	PAN - PLASTIC DRAIN (AFTER 01/06/11)	1	1
	PAN-DRAIN	100431-01	PAN, DRAIN BEFORE 01/06/11	1	1
	SWITCH-HIGH PRESSURE MANUAL RESET	102448-01	CUT OUT 640PSIG (MANUAL RESET)	1	1
	VALVE CORE	P-8-1897	VALVE, CORE 8075910047	5	5
	VALVE-EXPANSION	100679-15	VALVE, EXPANSION BBIZE-2-GA (R410A)	1	1
38	MOTOR-FAN	72H3601	"1/4HP,825RPM,208-230/60/1"	1	1

KCA024S4				DASH/Revision # with Qty	
Key	Part Name	Part Number	Description	1	2
	SHIELD-RAIN	P-8-6142	SHIELD, MOTOR	1	1
41	FAN	65C6801	"1/2""BORE,24""DIA,3 BLADE"	1	1
42	MOUNT-MOTOR	63K6201	MOUNT-MOTOR BRKT ASSY	1	1
S11	SWITCH-LO AMBIENT	38M7801	"OPEN 240,CLOSE 450"	1	1
S49	FREEZESTAT	79J1101	EVAP	1	1
Category:ELECTRIC HEATING PARTS					
			FOR REPAIR PARTS REFER TO THE TIEH	1	1
Category:CONTROL PANEL PARTS					
C12	CAPACITOR-FAN & RU N	101074-05	"COMP,35+10MFD,370VAC"	1	1
	COVER	29K2401	DISC	1	1
	GFI	79J9801	RECEPTACLE(115V)	1	1
	HARNESS-WIRING	LB-110358A	CONTROL	1	1
	SWITCH-DISCONNECT	34K9301	150AMP	1	1
	SWITCH-DISCONNECT	93J3101	"600V,80AMP"	1	1
F4	BLOCK, FUSE	P-8-4372	25A-30A	1	1
F4	BLOCK,FUSE	P-8-5848	35A-50A	1	1
F4	BLOCK-FUSE	24L4501	70A	1	1
F4	BLOCK-FUSE	P-8-7158	15A-25A	1	1
F4	BLOCK-FUSE	P-8-7177	35A-60A	1	1
	FUSE	P-8-1993	"DUAL ELEM 20A,600V"	3	3
	FUSE	P-8-400	"DUAL ELEM 35A,250V"	3	3
	FUSE	P-8-401	"DUAL ELEM 50A,250V"	3	3
	FUSE	P-8-418	"DUAL ELEM 30A,250V"	3	3
	FUSE	P-8-419	"DUAL ELEM 40A,250V"	3	3
	FUSE	P-8-5813	"DUAL ELEM 25A,600V"	3	3

KCA024S4				DASH/Revision # with Qty	
Key	Part Name	Part Number	Description	1	2
	FUSE	P-8-5851	"DUAL ELEM 70A,250V"	1	1
	FUSE	P-8-5852	"DUAL ELEM 60A,250V"	3	3
	FUSE	P-8-6936	"DUAL ELEM 45A,250V"	3	3
	FUSE	P-8-7300	"DUAL ELEM 25A,250V"	3	3
	FUSE 15A	P-8-1879	"DUAL ELEM 15A,600V"	3	3
K1	CONTACTOR	100438-01	"COMP,SPST,24V"	1	1
K3	CONTACTOR	100438-01	BLOWER - SPST, 24V	1	1
S47	SWITCH	31L1101	DIRTY FILTER(OPT)	1	1
T1	TRANSFORMER	51M4401	"208/230V PRI, 24V SEC,70VA"	1	1
TB1	STRIP-TERMINAL	100669-01	STRIP, TERMINAL	1	1
Category:DIRECT DRIVE BLOWER PARTS					
51	MOTOR-BLOWER	100792-05	"1/4HP,1075RPM,208/230/60/1"	1	1
55	HOUSING-BLOWER	LB-112080C	ASSY - BLOWER HOUSING	1	1
55	HOUSING-BLOWER	LB-112080D	CORR PROT	1	1
56	WHEEL-BLOWER	LB-29333BDB	"1/2""BORE,10"" X 10"""	1	1
64	ARM-MOTOR MTG	98G2201	BRACKET	3	3
	BAND-MOTOR	62A5701	BAND - MOTOR	1	1
66	CAPACITOR-FAN	100463-08	CAPACITOR-10 MFD/440V, RND	1	1
	HARNESS-WIRING	LB-110569D	DIRECT DRIVE	1	1
Category:ECONOMIZER SECTION					
1	101613-01 GED Assy	101613-01	GED Assy	1	
1	FILTER, AIR 33-7/1 6 X 15-3/4 X 7/8 METAL	102500-01	FILTER, AIR 33-7/16 X 15-3/4 X 7/8 METAL		1
1	FILTER-FRESH AIR M IST ELIMINATOR	101789-01	FILTER-FRESH AIR MIST ELIMINAT OR	1	
1	GED PKG ASSY SHORT CAB	605993-01	GED PKG ASSY SHORT CAB W/72W89		1
	EXHAUST AIR HOOD P KG ASSY SHORT CAB	605995-01	EXHAUST AIR HOOD PKG ASSYW/72W 93		1

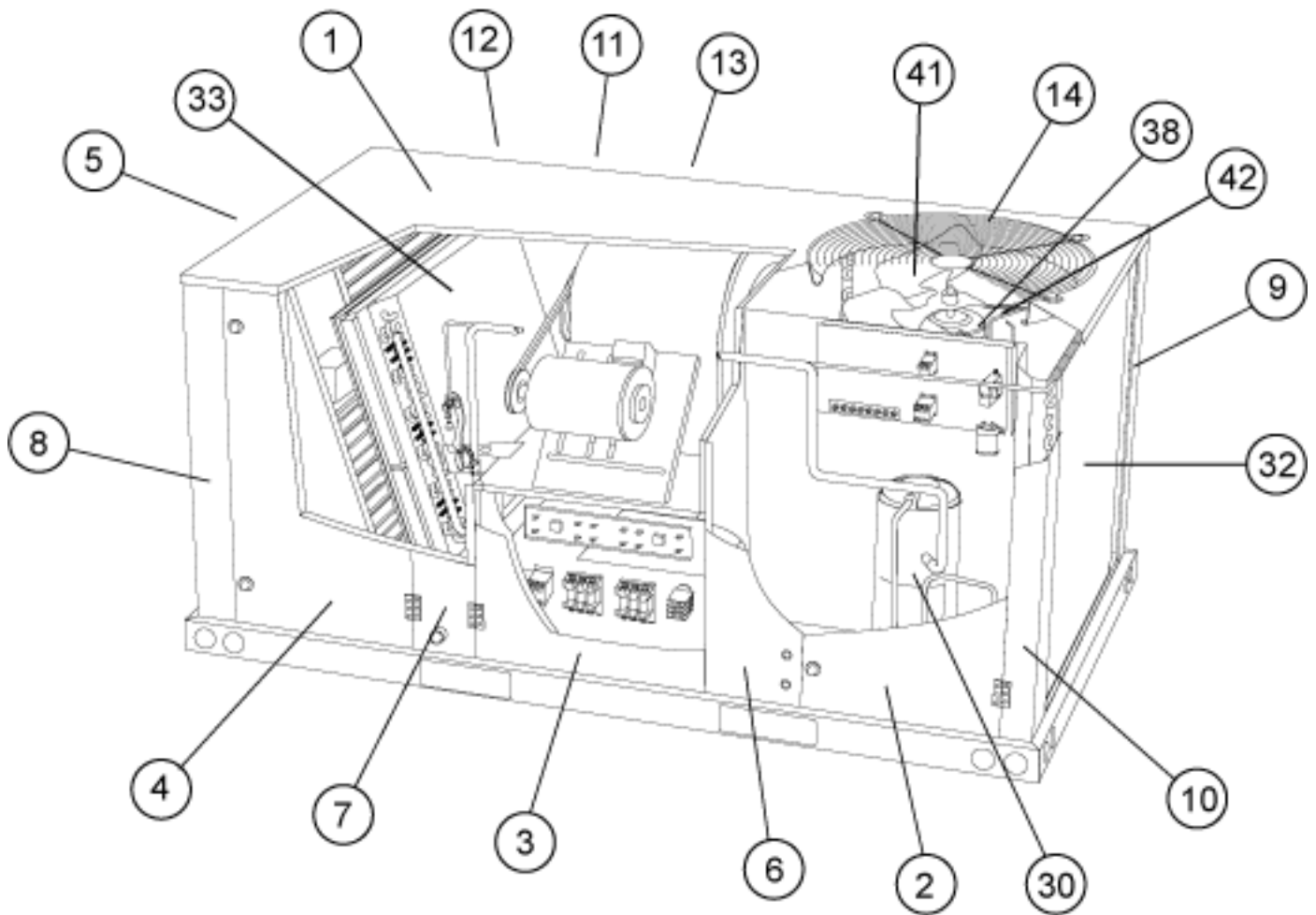
KCA024S4				DASH/Revision # with Qty	
Key	Part Name	Part Number	Description	1	2
	FRESH AIR HOOD PKG ASSY SHORT CAB	605994-01	FRESH AIR HOOD PKG ASSY W/72W9 1		1
	HOOD	100855-02	OUTDOOR AIR ASSY	1	
A6	CONTROLLER	60M1001	ECON-ENTHALPY	1	1
A7	SENSOR	54G4401	ENTHALPY-OUTDOOR	1	1
B7	MOTOR-DAMPER HONEY WELL	60M1101	24V (MODULATING)	1	
B7	MOTOR-DAMPER HONEY WELL	78G6701	24V-OAD (3 POSITION)	1	1
B7	MOTOR-DAMPER SIEME NS	102691-03	24V-MODULATING(SIEMENS)	1	1
B7	MOTOR-DAMPER SIEME NS	102691-02	24V-OAD 3 POSITION(SIEMENS)	1	1
R1	SENSOR	79J0901	MIXED AIR	1	1
S175	SENSOR SINGLE SENS IBLE CONTROL	102527-01	SENSOR SINGLE SENSIBLE CONTROL	1	1
Category:EXHAUST AIR DAMPER SECTION					
	BLOCK-FUSE	10G5901	2 POLE	1	
	CAPACITOR	39H6101	CAPACITOR, RUN 10 @370V: USE 5 3H1201PR		1
	CAPACITOR	39H6201	CAPACITOR 12.5 MFD @ 370V OVAL	1	
	FAN	101610-02	"1/2""BORE,16""DIA,4 BLADE"	1	
	FAN 16 IN 26 DEG . 500 BORE CW HUB OUT	102708-01	FAN 16 IN 26 DEG .500 BORE CW		1
	FUSE	10G6001	"9AMP,600V"	1	
	MOTOR-FAN	101611-01	"3/4 HP,1050 RPM,208-230/60/1"	1	
	MOTOR-FAN	79J8101	MOTOR, 1/3 HP 230V		1
	MOUNT-MOTOR	101612-01	MOTOR MOUNT	1	
	MOUNT-MOTOR	63K6701	MOUNT, MOTOR		1
	RELAY	67K6501	RELAY	1	1
Category:*OPTIONAL PARTS-FACTORY+ FIELD INSTALLED					
KIT 1	C1SNSR44AP1 SMOKE DETECTOR	603408-01	SUPPLY & RETURN (INCLUDES NEXT 8 PARTS)	1	1
	BRACE - SMOKE DETE CTOR (9 pcs blk)	602841-01	SENSOR BRACE	1	1

KCA024S4				DASH/Revision # with Qty	
Key	Part Name	Part Number	Description	1	2
	BRACKET -SUB.ASSY. SMOKEDETECTOR(8pcblk)	602840-01	SENSOR BRACKET	1	1
	BRACKET, SD POWER BOARD	606620-01	BRACKET, SD POWER BOARD	1	1
	HARNESS - JUMPER S MOKE DETECTOR SUPPLY	604374-01	HARNESS - JUMPER	1	1
	SMOKE DETECTOR D4P 120 POWER BOARD	102326-01	POWER BOARD	1	1
	SMOKE DETECTOR D4S SENSOR COMPONENT	102325-01	SMOKE DETECTOR D4S SENSOR COMP ONENT	1	1
	SMOKE DETECTOR PHO TOELECTRIC	103447-01	SMOKE DETECTOR SENSOR HEAD	1	1
	TUBE-AIR DUCT SAMP LING 24 IN	102371-02	TUBE-AIR DUCT SAMPLING 24 IN	1	1
KIT 2	LOW AMBIENT KIT	LB-107318AJ	INCL NEXT 3 PARTS	1	1
	HARNESS-WIRING	LB-112429B	HARNESS, LOW AMBIENT TC, TG, - G, J, M	1	1
	RELAY	56L6801	"SPDT,24V"	1	1
	SWITCH-LO AMBIENT	38M7801	"OPEN 240,CLOSE 450"	1	1

NOTE

COOLING-PACKAGED
JULY 2007

KCA 024-072 SERIES



KCA030S4				DASH/Revision # with Qty	
Key	Part Name	Part Number	Description	1	2
Category:CABINET PARTS					
1	PANEL-TOP	LB-112051A	ASSY - REPAIR PART PANEL TOP	1	1
10	MULLION	LB-110578	"COND CORNER,FRONT(HNGD)"	1	1
10	MULLION	LB-110579	"COND CORNER,FRONT(NON-HNGD)"	1	1
11	ASSY-REPAIR PART S UPPLY/RETURN PANEL	606633-01	SUPPLY/RETURN PANEL AFTER 01/0 6/11	1	1
11	PANEL	LB-112053A	RETURN/SUPPLY-REAR (BEFORE 01/ 06/11)	1	1
12	COVER-DUCT	LB-112052A	RETURN	1	1
13	COVER-DUCT	LB-112052B	SUPPLY	1	1
14	GRILLE-DISCHARGE	63K6001	GRILLE-DISCHARGE	1	1
	COPPER DRAIN TRAP KIT	LB-107882E	COPPER DRAIN TRAP KIT(AFTER 0 1/06/11)	1	1
	FILTER-AIR	100509-02	"16"" X 20"" X 2"""	4	4
	GUARD-COIL	100996-01	2 PC SET (CAT # 17W87)	1	1
	GUARD-HAIL	100995-01	2 PC SET (CAT # 17W89)	1	1
	HINGE	100595-01	ACCESS DOORS (2 PER DOOR)	6	6
	KIT-HANDLE	LB-95291B	"INC HANDLE,CAM,WASHER,SPRING"	1	1
	PVC DRAIN TRAP KIT	LB-107882D	PVC DRAIN TRAP KIT(AFTER 01/0 6/11)	1	1
	TRAP-CONDENSATE	LB-65843A	PVC BEFORE 01/06/11	1	1
	TRAP-CONDENSATE	LB-69287B	COPPER BEFORE 01/06/11	1	1
2	PANEL	LB-112057C	"COMP ACCESS, (HNGD)"	1	1
2	PANEL	LB-112057G	"COMP ACCESS, (NON-HNGD)"	1	1
3	PANEL	LB-112055C	"HEAT ACCESS, (HNGD)"	1	1
3	PANEL	LB-112055G	"HEAT ACCESS, (NON-HNGD)"	1	1
4	PANEL	LB-112056A	"FILTER ACCESS, (HNGD)"	1	1
4	PANEL	LB-112056C	"FILTER ACCESS, (NON-HNGD)"	1	1
5	PANEL	LB-112054A	ACCESSORY ACCESS	1	1

KCA030S4				DASH/Revision # with Qty	
Key	Part Name	Part Number	Description	1	2
7	ASSY-REPAIR PART DRAIN PAN MULLION	606631-01	DRAIN PAN(SHORT)(NON-HINGED)AFT T 10/10)	1	1
7	ASSY-REPAIR PART DRAIN PAN MULLION	606631-03	DRAIN PAN(SHORT)(HINGED)AFT 10/10)	1	1
7	MULLION	LB-112059A	(MULLION DRAIN)(SHORT)(HINGED)	1	1
7	MULLION	LB-112059C	(MULLION DRAIN)(SHORT)(NON-HINGED)	1	1
8	MULLION	LB-112078A	"FILTER/ECONO-FRONT, (HNGD)"	1	1
8	MULLION	LB-112078C	"FILTER/ECONO-FRONT, (NON-HNGD)"	1	1
9	MULLION	LB-109517	"COND CORNER,REAR"	1	1
Category:COOLING PARTS					
30	COMPRESSOR	100040-04	"2TON,208-230/60/1,COPE"	1	1
			RELAY-OVERLOADCOMP-INTERNAL	1	1
	HARNESS-WIRING	25M3001	COMP	1	1
	MOUNT PKG-COMP	74J3001PR	MOUNT PKG-COMP	1	1
32	COIL-OUTDOOR	600114-01	W/MANIFOLD	1	1
33	COIL-INDOOR	600115-01	W/MANIFOLD	1	1
	CAP-SEAL	P-8-3187	CAP, BRASS	5	5
	DISTRIBUTOR ASSY	LB-111917B	I.D.	1	1
	DRIER	38M7201	DRIER, R410A	1	1
	FITTING PRESS TAP	86G6401	FITTING, PRESSURE TAP	5	5
	PAN - PLASTIC DRAIN	101996-04	PAN - PLASTIC DRAIN(AFTER 01/06/11)	1	1
	PAN-DRAIN	100431-01	PAN, DRAIN BEFORE 01/06/11	1	1
	SWITCH-HIGH PRESSURE MANUAL RESET	102448-01	CUT OUT 640PSIG (MANUAL RESET)	1	1
	VALVE CORE	P-8-1897	VALVE, CORE 8075910047	5	5
	VALVE-EXPANSION	100679-15	VALVE, EXPANSION BBIZE-2-GA (R410A)	1	1
38	MOTOR-FAN	72H3601	"1/4HP,825RPM,208-230/60/1"	1	1
	SHIELD-RAIN	P-8-6142	SHIELD, MOTOR	1	1

KCA030S4				DASH/Revision # with Qty	
Key	Part Name	Part Number	Description	1	2
41	FAN	65C6801	"1/2""BORE,24""DIA,3 BLADE"	1	1
42	MOUNT-MOTOR	63K6201	MOUNT-MOTOR BRKT ASSY	1	1
S11	SWITCH-LO AMBIENT	38M7801	"OPEN 240,CLOSE 450"	1	1
S49	FREEZESTAT	79J1101	EVAP	1	1
Category:ELECTRIC HEATING PARTS					
			FOR REPAIR PARTS REFER TO THE TIEH	1	1
Category:CONTROL PANEL PARTS					
C12	CAPACITOR-FAN & RUN	101074-06	"40+10MFD,370VAC"	1	1
	COVER	29K2401	DISC	1	1
	GFI	79J9801	RECEPTACLE(115V)	1	1
	HARNESS-WIRING	LB-110358A	CONTROL	1	1
	SWITCH-DISCONNECT	34K9301	150AMP	1	1
	SWITCH-DISCONNECT	93J3101	"600V,80AMP"	1	1
F4	BLOCK, FUSE	P-8-4372	25A-30A	1	1
F4	BLOCK,FUSE	P-8-5848	35A-50A	1	1
F4	BLOCK-FUSE	24L4501	70A	1	1
F4	BLOCK-FUSE	P-8-7158	15A-25A	1	1
F4	BLOCK-FUSE	P-8-7177	35A-60A	1	1
	FUSE	P-8-1993	"DUAL ELEM 20A,600V"	3	3
	FUSE	P-8-400	"DUAL ELEM 35A,250V"	3	3
	FUSE	P-8-401	"DUAL ELEM 50A,250V"	3	3
	FUSE	P-8-418	"DUAL ELEM 30A,250V"	3	3
	FUSE	P-8-419	"DUAL ELEM 40A,250V"	3	3
	FUSE	P-8-5813	"DUAL ELEM 25A,600V"	3	3
	FUSE	P-8-5851	"DUAL ELEM 70A,250V"	1	1

KCA030S4				DASH/Revision # with Qty	
Key	Part Name	Part Number	Description	1	2
	FUSE	P-8-5852	"DUAL ELEM 60A,250V"	3	3
	FUSE	P-8-6936	"DUAL ELEM 45A,250V"	3	3
	FUSE	P-8-7300	"DUAL ELEM 25A,250V"	3	3
	FUSE 15A	P-8-1879	"DUAL ELEM 15A,600V"	3	3
K1	CONTACTOR	100438-01	"COMP,SPST,24V"	1	1
K3	CONTACTOR	100438-01	BLOWER - SPST, 24V	1	1
S47	SWITCH	31L1101	DIRTY FILTER(OPT)	1	1
T1	TRANSFORMER	51M4401	"208/230V PRI, 24V SEC,70VA"	1	1
TB1	STRIP-TERMINAL	100669-01	STRIP, TERMINAL	1	1
Category:DIRECT DRIVE BLOWER PARTS					
51	MOTOR-BLOWER	100792-05	1/4 HP, 1075RPM,208-230/60/1	1	1
55	HOUSING-BLOWER	LB-112080C	ASSY - BLOWER HOUSING	1	1
55	HOUSING-BLOWER	LB-112080D	CORR PROT	1	1
56	WHEEL-BLOWER	LB-29333BDB	"1/2""BORE,10"" X 10""	1	1
64	ARM-MOTOR MTG	98G2201	BRACKET	3	3
	BAND-MOTOR	62A5701	BAND - MOTOR	1	1
66	CAPACITOR-FAN	100463-08	CAPACITOR-RUN 10 MFD/440V, RND	1	1
	HARNESS-WIRING	LB-110569D	DIRECT DRIVE	1	1
Category:ECONOMIZER SECTION					
1	101613-01 GED Assy	101613-01	GED Assy	1	
1	FILTER, AIR 33-7/1 6 X 15-3/4 X 7/8 METAL	102500-01	FILTER, AIR 33-7/16 X 15-3/4 X 7/8 METAL		1
1	FILTER-FRESH AIR M IST ELIMINATOR	101789-01	FILTER-FRESH AIR MIST ELIMINAT OR	1	
1	GED PKG ASSY SHORT CAB	605993-01	GED PKG ASSY SHORT CAB W/72W89		1
	EXHAUST AIR HOOD P KG ASSY SHORT CAB	605995-01	EXHAUST AIR HOOD PKG ASSY W/72 W93		1
	FRESH AIR HOOD PKG ASSY SHORT CAB	605994-01	FRESH AIR HOOD PKG ASSY W/72W9 1		1

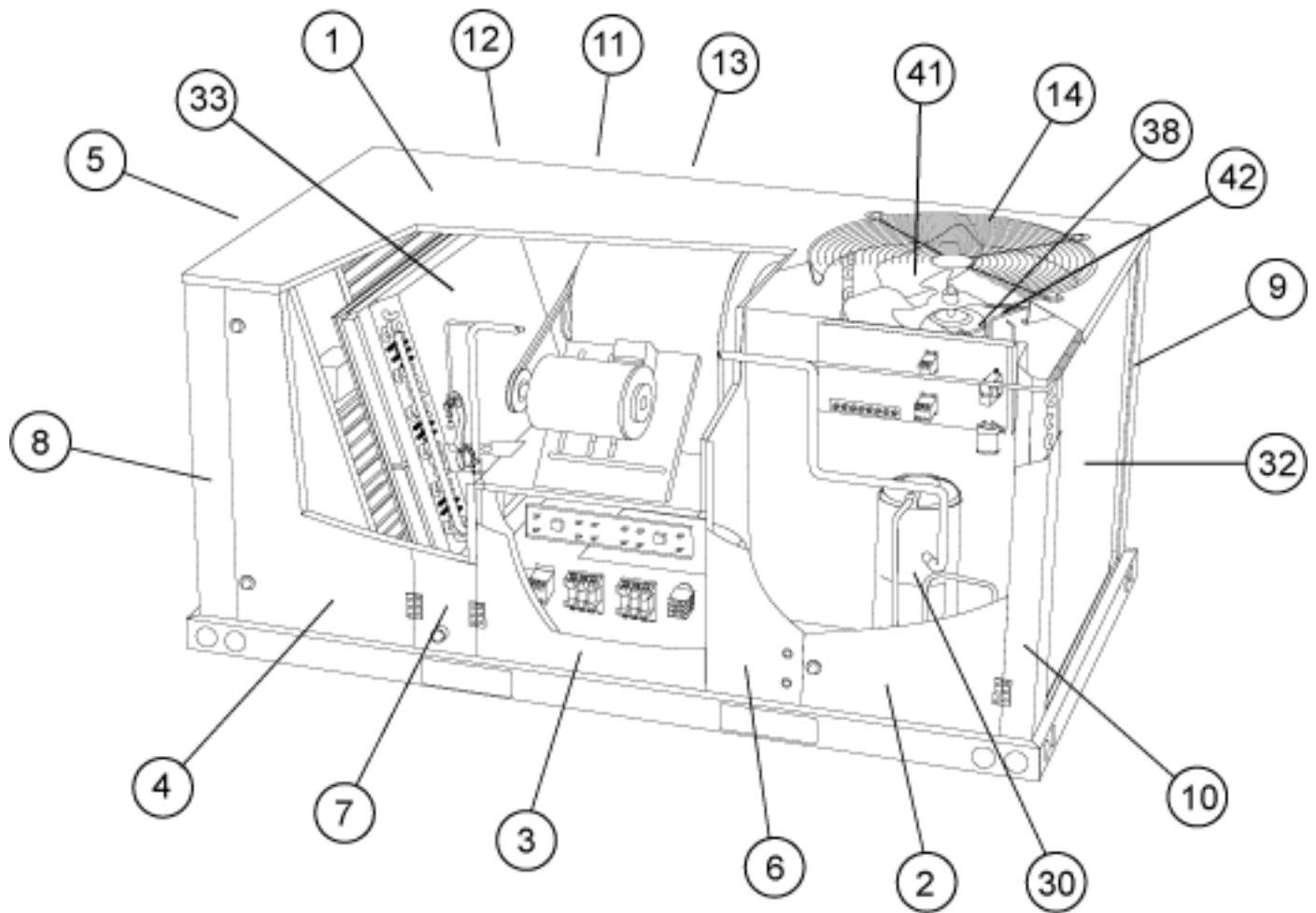
KCA030S4				DASH/Revision # with Qty	
Key	Part Name	Part Number	Description	1	2
	HOOD	100855-02	OUTDOOR AIR ASSY	1	
A6	CONTROLLER	60M1001	ECON-ENTHALPY	1	1
A7	SENSOR	54G4401	ENTHALPY-OUTDOOR	1	1
B7	MOTOR-DAMPER SIEMENS	102691-02	24V-OAD 3 POSITION(SIEMENS)		1
B7	MOTOR-DAMPER SIEMENS	102691-03	24V-MODULATING(SIEMENS)		1
B7	MOTOR-DAMPER HONEYWELL	60M1101	24V (MODULATING)	1	1
B7	MOTOR-DAMPER HONEYWELL	78G6701	24V-OAD (3 POSITION)	1	1
R1	SENSOR	79J0901	MIXED AIR	1	1
S175	SENSOR SINGLE SENSIBLE CONTROL	102527-01	SENSOR SINGLE SENSIBLE CONTROL	1	1
Category:EXHAUST AIR DAMPER SECTION					
	BLOCK-FUSE	10G5901	2 POLE	1	
	CAPACITOR	39H6101	CAPACITOR, RUN 10 @370V: USE 53H1201PR		1
	CAPACITOR	39H6201	CAPACITOR 12.5 MFD @ 370V OVAL	1	
	FAN	101610-02	"1/2""BORE,16""DIA,4 BLADE"	1	
	FAN 16 IN 26 DEG .500 BORE CW HUB OUT	102708-01	FAN 16 IN 26 DEG .500 BORE CW		1
	FUSE	10G6001	"9AMP,600V"	1	
	MOTOR-FAN	101611-01	"3/4 HP,1050 RPM,208-230/60/1"	1	
	MOTOR-FAN	79J8101	MOTOR, 1/3 HP 230V		1
	MOUNT-MOTOR	101612-01	MOTOR MOUNT	1	
	MOUNT-MOTOR	63K6701	MOUNT, MOTOR		1
	RELAY	67K6501	RELAY	1	1
Category:*OPTIONAL PARTS-FACTORY+ FIELD INSTALLED					
KIT 1	C1SNSR44AP1 SMOKE DETECTOR	603408-01	SUPPLY & RETURN (INCLUDES NEXT 8 PARTS)	1	1
	BRACE - SMOKE DETECTOR (9 pcs blk)	602841-01	SENSOR BRACE	1	1
	BRACKET -SUB.ASSY. SMOKEDETECTOR(8pcblk)	602840-01	SENSOR BRACKET	1	1

KCA030S4				DASH/Revision # with Qty	
Key	Part Name	Part Number	Description	1	2
	BRACKET, SD POWER BOARD	606620-01	BRACKET, SD POWER BOARD	1	1
	HARNESS - JUMPER SMOKE DETECTOR SUPPLY	604374-01	HARNESS - JUMPER SMOKE DETECTOR SUPPLY	1	1
	SMOKE DETECTOR D4P 120 POWER BOARD	102326-01	POWER BOARD	1	1
	SMOKE DETECTOR D4S SENSOR COMPONENT	102325-01	SMOKE DETECTOR D4S SENSOR COMPONENT	1	1
	SMOKE DETECTOR PHOTOELECTRIC	103447-01	SMOKE DETECTOR SENSOR HEAD	1	1
	TUBE-AIR DUCT SAMPLING 24 IN	102371-02	TUBE-AIR DUCT SAMPLING 24 IN	1	1
KIT 2	LOW AMBIENT KIT	LB-107318AJ	INCL NEXT 3 PARTS	1	1
	HARNESS-WIRING	LB-112429B	HARNESS, LOW AMBIENT TC, TG, - G, J, M	1	1
	RELAY	56L6801	"SPDT,24V"	1	1
	SWITCH-LO AMBIENT	38M7801	"OPEN 240,CLOSE 450"	1	1

NOTE

COOLING-PACKAGED
JULY 2007

KCA 024-072 SERIES



KCA036S4				DASH/Revision # with Qty	
Key	Part Name	Part Number	Description	1	2
Category:CABINET PARTS					
1	PANEL-TOP	LB-112051A	ASSY - REPAIR PART PANEL TOP	1	1
10	MULLION	LB-110578	"COND CORNER,FRONT(HNGD)"	1	1
10	MULLION	LB-110579	"COND CORNER,FRONT(NON-HNGD)"	1	1
11	ASSY-REPAIR PART S UPPLY/RETURN PANEL	606633-01	SUPPLY/RETURN PANEL(AFTER 01/06/11)	1	
11	PANEL	LB-112053A	RETURN/SUPPLY-REAR(BEFORE 01/06/11)	1	1
12	COVER-DUCT	LB-112052A	RETURN	1	1
13	COVER-DUCT	LB-112052B	SUPPLY	1	1
14	GRILLE-DISCHARGE	63K6001	GRILLE-DISCHARGE	1	1
	COPPER DRAIN TRAP KIT	LB-107882E	COPPER DRAIN TRAP KIT AFTER 01/06/11	1	1
	FILTER-AIR	100509-02	"16"" X 20"" X 2"""	4	4
	GUARD-COIL	100996-01	2 PC SET (CAT # 17W87)	1	1
	GUARD-HAIL	100995-01	2 PC SET (CAT # 17W89)	1	1
	HINGE	100595-01	ACCESS DOORS (2 PER DOOR)	6	6
	KIT-HANDLE	LB-95291B	"INC HANDLE,CAM,WASHER,SPRING"	1	1
	PVC DRAIN TRAP KIT	LB-107882D	PVC DRAIN TRAP KIT AFTER 01/06/11	1	1
	TRAP-CONDENSATE	LB-65843A	PVC BEFORE 01/06/11	1	1
	TRAP-CONDENSATE	LB-69287B	COPPER BEFORE 01/06/11	1	1
2	PANEL	LB-112057C	"COMP ACCESS, (HNGD)"	1	1
2	PANEL	LB-112057G	"COMP ACCESS, (NON-HNGD)"	1	1
3	PANEL	LB-112055C	"HEAT ACCESS, (HNGD)"	1	1
3	PANEL	LB-112055G	"HEAT ACCESS, (NON-HNGD)"	1	1
4	PANEL	LB-112056A	"FILTER ACCESS, (HNGD)"	1	1
4	PANEL	LB-112056C	"FILTER ACCESS, (NON-HNGD)"	1	1
5	PANEL	LB-112054A	ACCESSORY ACCESS	1	1

KCA036S4				DASH/Revision # with Qty	
Key	Part Name	Part Number	Description	1	2
7	ASSY-REPAIR PART DRAIN PAN MULLION	606631-01	DRAIN PAN(SHORT)(NON-HINGED)(AFT 10/10)	1	1
7	ASSY-REPAIR PART DRAIN PAN MULLION	606631-03	DRAIN PAN(SHORT)(HINGED)(AFT 10/10)	1	1
7	MULLION	LB-112059A	(MULLION DRAIN)(SHORT)(HINGED)	1	1
7	MULLION	LB-112059C	(MULLION DRAIN)(SHORT)(NON-HINGED)	1	1
8	MULLION	LB-112078A	"FILTER/ECONO-FRONT, (HNGD)"	1	1
8	MULLION	LB-112078C	"FILTER/ECONO-FRONT, (NON-HNGD)"	1	1
9	MULLION	LB-109517	"COND CORNER,REAR"(BEFORE 08/29/11)	1	1
9	MULLION - COND CORNER (REAR)	608348-01	MULLION - COND CORN(REAR)AFT 08-29-11)	1	1
Category:COOLING PARTS					
30	COMPRESSOR	100040-06	"3TON,208-230/60/1,COPE"	1	1
30	COMPRESSOR	100040-13	"3TON,208-230/60/3,COPE"	1	1
30	COMPRESSOR	100040-14	"3TON,460/60/3,380-420/50/3,COPE"	1	1
30	COMPRESSOR	100040-31	"3TON,575/60/3,COPE"	1	1
			RELAY-OVERLOADCOMP-INTERNAL	1	1
	MOUNT PKG-COMP	74J3001PR	MOUNT PKG-COMP	1	1
32	COIL-OUTDOOR	600114-01	W/MANIFOLD	1	1
33	COIL-INDOOR	600115-02	W/MANIFOLD	1	1
	CAP-SEAL	P-8-3187	CAP, BRASS	5	5
	DISTRIBUTOR ASSY	LB-111917B	I.D.	1	1
	DRIER	38M7201	DRIER, R410A	1	1
	FITTING PRESS TAP	86G6401	FITTING, PRESSURE TAP	5	5
	HARNESS-WIRING	25M3001	COMP(1 PH)	1	1
	HARNESS-WIRING	LB-99231B	COMP(3 PH)	1	1
	PAN - PLASTIC DRAIN	101996-04	PAN - PLASTIC DRAIN AFTER 01/06/11	1	1
	PAN-DRAIN	100431-01	PAN, DRAIN BEFORE 01/06/11	1	1

KCA036S4				DASH/Revision # with Qty	
Key	Part Name	Part Number	Description	1	2
	SWITCH-HIGH PRESSURE MANUAL RESET	102448-01	CUT OUT 640PSIG (MANUAL RESET)	1	1
	VALVE CORE	P-8-1897	VALVE, CORE 8075910047	5	5
	VALVE-EXPANSION	100679-16	VALVE, EXPANSION BBIZE-4-GA (R 410A)	1	1
38	MOTOR-FAN	100640-01	"1/4HP,825RPM,575/60/1"	1	1
38	MOTOR-FAN	100640-02	"1/4HP,825RPM,460/60/1,380-420/50/1"	1	1
38	MOTOR-FAN	72H3601	"1/4HP,825RPM,208-230/60/1"	1	1
	SHIELD-RAIN	P-8-6142	SHIELD, MOTOR	1	1
41	FAN	65C6801	"1/2""BORE,24""DIA,3 BLADE"	1	1
42	MOUNT-MOTOR	63K6201	MOUNT-MOTOR BRKT ASSY	1	1
S11	SWITCH-LO AMBIENT	38M7801	"OPEN 240,CLOSE 450"	1	1
S49	FREEZESTAT	79J1101	EVAP	1	1
Category:ELECTRIC HEATING PARTS					
			FOR REPAIR PARTS REFER TO THE TIEH	1	1
Category:CONTROL PANEL PARTS					
C1	CAPACITOR	39H8901	7.5 MFD @ 370V (460V)	1	1
C1	CAPACITOR-BLR MTR	59C9201	RUN 5 MFD 370V (575V)	1	1
	COVER	15M3801	DISC (BEFORE 11/18/05 PROD)	1	1
	COVER	29K2401	DISC (AFTER 11/18/05 PROD)	1	1
	GFI	79J9801	RECEPTACLE(115V)	1	1
	HARNESS-WIRING	LB-110358A	CONTROL	1	1
	SWITCH-DISCONNECT	34K9301	150AMP	1	1
	SWITCH-DISCONNECT	93J3101	"600V,80AMP"	1	1
C12	CAPACITOR-DUAL	100335-22	70 + 10 MFD @ 370V (208/230)	1	1
F4	BLOCK, FUSE	P-8-4372	25A-30A	1	1
F4	BLOCK,FUSE	P-8-5848	35A-50A	1	1

KCA036S4				DASH/Revision # with Qty	
Key	Part Name	Part Number	Description	1	2
F4	BLOCK-FUSE	24L4501	70A	1	1
F4	BLOCK-FUSE	P-8-7158	15A-25A	1	1
F4	BLOCK-FUSE	P-8-7177	35A-60A	1	1
	FUSE	P-8-1993	"DUAL ELEM 20A,600V"	3	3
	FUSE	P-8-400	"DUAL ELEM 35A,250V"	3	3
	FUSE	P-8-401	"DUAL ELEM 50A,250V"	3	3
	FUSE	P-8-418	"DUAL ELEM 30A,250V"	3	3
	FUSE	P-8-419	"DUAL ELEM 40A,250V"	3	3
	FUSE	P-8-5813	"DUAL ELEM 25A,600V"	3	3
	FUSE	P-8-5851	"DUAL ELEM 70A,250V"	1	1
	FUSE	P-8-5852	"DUAL ELEM 60A,250V"	3	3
	FUSE	P-8-6936	"DUAL ELEM 45A,250V"	3	3
	FUSE	P-8-7300	"DUAL ELEM 25A,250V"	3	3
	FUSE 15A	P-8-1879	"DUAL ELEM 15A,600V"	3	3
K1	CONTACTOR	100438-01	"COMP,SPST,24V(1PH)"	1	1
K1	CONTACTOR	60M1201	"COMP,3PST,24V(3 PH)"	1	1
K3	CONTACTOR	100438-01	"BLR-SPST,24V(1 PH-BD; 1 & 3 P H-DD)"	1	1
K3	CONTACTOR	68J3701	"BLR-DPST,24V(3PH-BD)"	1	1
N	BLOCK-TERMINAL	80K6501	(INTL)	1	1
S42	RELAY	99K3101	BLR MTR OVLD(380-420V)	1	1
S47	SWITCH	31L1101	DIRTY FILTER(OPT)	1	1
T1	TRANSFORMER	51M4401	"208/240V & 380/420V PRI, 24V SEC,70VA"	1	1
T1	TRANSFORMER	51M4501	"480V PRI,24V SEC,70VA"	1	1
T1	TRANSFORMER	51M4601	"600V PRI,24V SEC,70VA"	1	1
T4	TRANSFORMER	13H7901	"575V PRI,460V SEC,3.4VA"	1	1

KCA036S4				DASH/Revision # with Qty	
Key	Part Name	Part Number	Description	1	2
TB1	STRIP-TERMINAL	100669-01	STRIP, TERMINAL	1	1
TB2	BLOCK-TERMINAL	72F8801	BLOCK, TERMINAL	1	1
Category: BLOWER PARTS					
51	MOTOR-BLOWER	103203-01	"1HP,1750RPM,208-230/3PH		1
51	MOTOR-BLOWER	103203-02	"1HP,1750RPM,460V/3PH		1
51	MOTOR-BLOWER	103203-03	"1HP,1750RPM,575V/3PH		1
51	MOTOR-BLOWER	23G3901	1-1/2HP,1725RPM,200-230/460/60/3	1	
51	MOTOR-BLOWER	23G4001	"2HP,1725RPM,200-230/460/60/3"	1	
51	MOTOR-BLOWER	49A4301	"2HP,1425RPM,230-400/50/3 (INTL)"	1	1
51	MOTOR-BLOWER	49K8101	"1-1/2HP,1725RPM,230/60/1"	1	1
51	MOTOR-BLOWER	P-8-5673	"1-1/2HP,1725RPM,575/60/3"	1	
51	MOTOR-BLOWER	P-8-5685	"2HP,1725RPM,575/60/3"	1	1
52	PULLEY-BLOWER	100244-15	"1" BORE,3.95 O.D.(DRV 5)"	1	1
52	PULLEY-BLOWER	100244-19	"1" BORE,5.25 O.D.(DRV 1)"	1	1
	HARNESS-WIRING	LB-110569A	BLR MTR (3 PH)	1	1
	HARNESS-WIRING	LB-110569B	BLR MTR (INTL)	1	1
	HARNESS-WIRING	LB-110569C	BLR MTR (1 PH)	1	1
	HARNESS-WIRING	LB-110569D	BLR MTR (DIRECT DRIVE)	1	1
	HARNESS-WIRING	LB-111905A	"BLR MTR-K3,S42(INTL)"	1	1
	MOUNT-BLR MTR	LB-110194	MOUNT, MOTOR	1	1
53	BELT	100245-16	A39(DRV 5)	1	1
53	BELT	100245-17	A40(DRV 1)	1	1
54	BRACKET	100817-01	BEARING	2	2
55	HOUSING-BLOWER	LB-112080A	ASSY-BLOWER HOUSING	1	1
55	HOUSING-BLOWER	LB-112080B	PAINTED	1	1

KCA036S4				DASH/Revision # with Qty	
Key	Part Name	Part Number	Description	1	2
56	WHEEL-BLOWER	LB-29333BDA	"1" BORE,10" X 10"	1	1
57	SHAFT-BLOWER	31K7401	"1" DIA,18" LONG	1	1
	KEY	LB-21259	BLR PULLEY	1	1
58	BEARING RUBRB-116 SK2430 LX5	100639-02	"1" BORE"	2	2
59	PULLEY-MOTOR	31K6901	"7/8" BORE,3.15 O.D.(DRV 1)"	1	1
59A	PULLEY-MOTOR	31K6901	"7/8" BORE,3.15 O.D.(DRV 5)"	1	1
Category:DIRECT DRIVE BLOWER PARTS					
51	MOTOR, BLOWER 1/2 HP 230V	100792-01	"1/2HP,1075RPM,208/230/60/1"	1	1
51	MOTOR-BLOWER 1/2 H P 460V	100792-02	"1/2HP,1075RPM,460/60/1"	1	1
55	HOUSING-BLOWER	LB-112080C	ASSY - BLOWER HOUSING	1	1
55	HOUSING-BLOWER	LB-112080D	CORR PROT	1	1
56	WHEEL-BLOWER	LB-29333BDB	"1/2" BORE,10" X 10"	1	1
64	ARM-MOTOR MTG	98G2201	BRACKET	3	3
	BAND-MOTOR	62A5701	BAND - MOTOR	1	1
66	CAPACITOR-FAN	100463-08	CAPACITOR-RUN 10 MFD/440V, RND	1	1
	HARNESS-WIRING	LB-110569D	DIRECT DRIVE	1	1
Category:ECONOMIZER SECTION					
1	101613-01 GED Assy	101613-01	GED Assy	1	
1	FILTER, AIR 33-7/1 6 X 15-3/4 X 7/8 METAL	102500-01	FILTER, AIR 33-7/16 X 15-3/4 X 7/8 METAL		1
1	FILTER-FRESH AIR M IST ELIMINATOR	101789-01	FILTER-FRESH AIR MIST ELIMINAT OR	1	
1	GED PKG ASSY SHORT CAB	605993-01	GED PKG ASSY SHORT CAB		1
	FRESH AIR HOOD PKG ASSY SHORT CAB	605994-01	FRESH AIR HOOD PKG ASSY SHORT CAB		1
	HOOD	100855-02	OUTDOOR AIR ASSY	1	
A6	CONTROLLER	60M1001	ECON-ENTHALPY	1	1
A7	SENSOR	54G4401	ENTHALPY-OUTDOOR	1	1

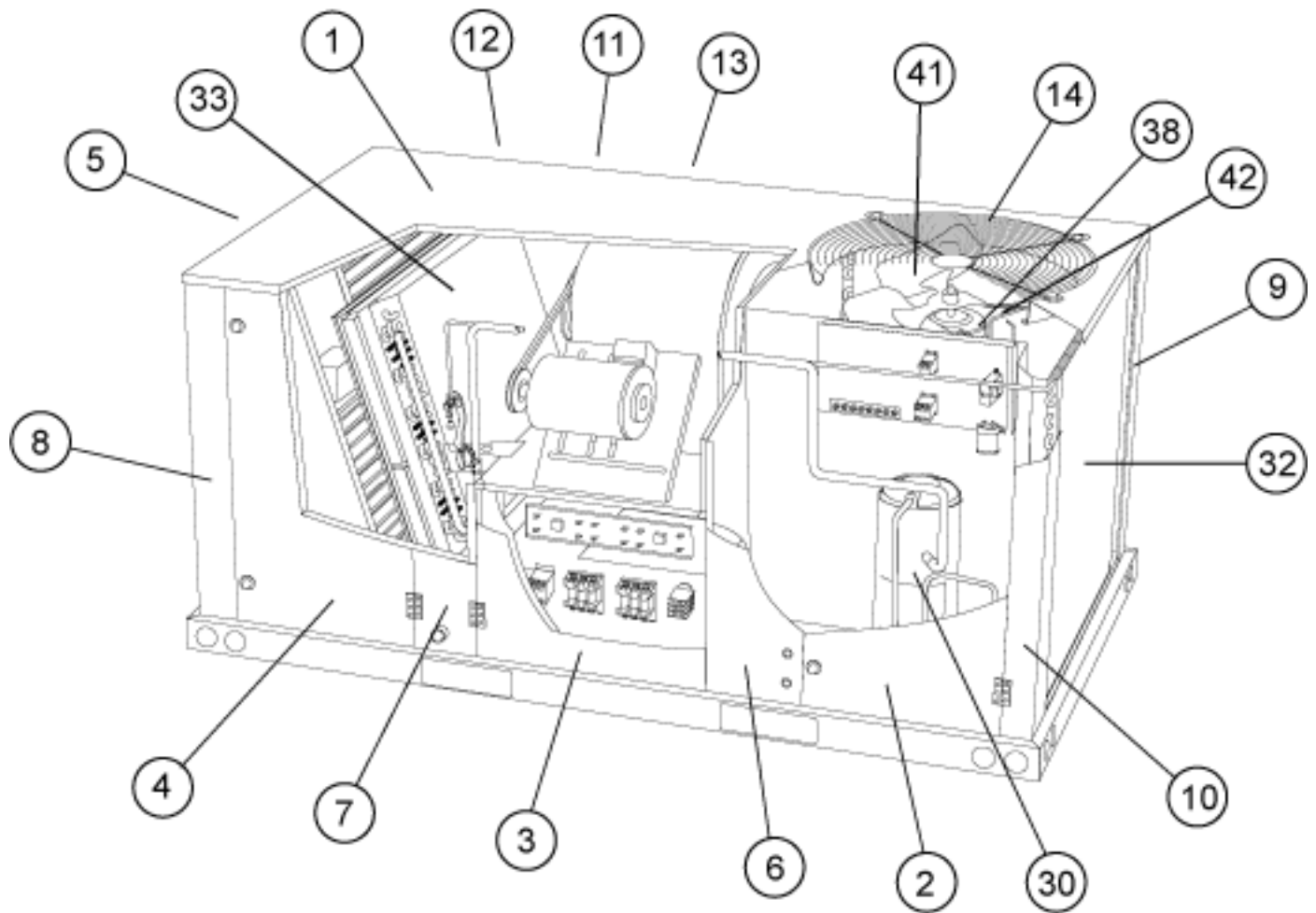
KCA036S4				DASH/Revision # with Qty	
Key	Part Name	Part Number	Description	1	2
B7	MOTOR-DAMPER HONEYWELL	78G6701	24V-OAD (3 POSITION)	1	1
B7	MOTOR-DAMPER SIEMENS	102691-02	24V-OAD 3 POSITION(SIEMENS)	1	1
B7	MOTOR-DAMPER SIEMENS	102691-03	24V-MODULATING(SIEMENS)	1	
B7	MOTOR-DAMPER HONEYWELL	60M1101	24V (MODULATING)		1
R1	SENSOR	79J0901	MIXED AIR	1	1
S175	SENSOR SINGLE SENSIBLE CONTROL	102527-01	SENSOR SINGLE SENSIBLE CONTROL	1	1
Category:EXHAUST AIR DAMPER SECTION					
	BLOCK-FUSE	10G5901	2 POLE	1	
	CAPACITOR	39H6101	CAPACITOR, RUN 10 @370V: USE 53H1201PR		1
	CAPACITOR	39H6201	CAPACITOR 12.5 MFD @ 370V OVAL	1	
	FAN	101610-02	"1/2""BORE,16""DIA,4 BLADE"	1	
	FAN 16 IN 26 DEG .500 BORE CW HUB OUT	102708-01	FAN 16 IN 26 DEG .500 BORE CW		1
	FUSE	10G6001	"9AMP,600V"	1	
	MOTOR-FAN	101611-01	"3/4 HP,1050 RPM,208-230/60/1"	1	
	MOTOR-FAN	101611-02	"3/4 HP,1050 RPM,460/60/1"	1	
	MOTOR-FAN	101611-03	"3/4 HP,1050 RPM,575/60/1"	1	
	MOTOR-FAN	79J8101	MOTOR, 1/3 HP 230V		1
	MOTOR-FAN	79J8201	MOTOR, 1/3 HP 460v		1
	MOTOR-FAN	79J8301	MOTOR, 1/3 HP 575V		1
	MOUNT-MOTOR	101612-01	MOTOR MOUNT	1	
	MOUNT-MOTOR	63K6701	MOUNT, MOTOR		1
	RELAY	67K6501	RELAY	1	1
Category:*OPTIONAL PARTS-FACTORY+ FIELD INSTALLED					
KIT 1	C1SNSR44AP1 SMOKE DETECTOR	603408-01	SUPPLY & RETURN (INCLUDES NEXT 8 PARTS)	1	1
	BRACE - SMOKE DETECTOR (9 pcs blk)	602841-01	SENSOR BRACE	1	1

KCA036S4				DASH/Revision # with Qty	
Key	Part Name	Part Number	Description	1	2
	BRACKET -SUB.ASSY. SMOKEDETECTOR(8pcblk)	602840-01	SENSOR BRACKET	1	1
	BRACKET, SD POWER BOARD	606620-01	BRACKET, SD POWER BOARD	1	1
	HARNESS - JUMPER S MOKE DETECTOR SUPPLY	604374-01	HARNESS - JUMPER SMOKE DETECTO R SUPPLY	1	1
	SMOKE DETECTOR D4P 120 POWER BOARD	102326-01	POWER BOARD	1	1
	SMOKE DETECTOR D4S SENSOR COMPONENT	102325-01	SMOKE DETECTOR D4S SENSOR COMP ONENT	1	1
	SMOKE DETECTOR PHO TOELECTRIC	103447-01	SMOKE DETECTOR SENSOR HEAD	1	1
	TUBE-AIR DUCT SAMP LING 24 IN	102371-02	TUBE-AIR DUCT SAMPLING 24 IN	1	1
KIT 2	LOW AMBIENT KIT	LB-107318AJ	INCL NEXT 3 PARTS	1	1
	HARNESS-WIRING	LB-112429A	HARNESS, LOW AMBIENT TC,TG, P, Y	1	1
	RELAY	56L6801	"SPDT,24V"	1	1
	SWITCH-LO AMBIENT	38M7801	OPEN 240, CLOSE 450	1	1

NOTE

COOLING-PACKAGED
JULY 2007

KCA 024-072 SERIES



KCA048S4				DASH/Revision # with Qty	
Key	Part Name	Part Number	Description	1	2
Category:CABINET PARTS					
1	PANEL-TOP	LB-112051A	ASSY - REPAIR PART PANEL TOP	1	1
10	MULLION	LB-110578	"COND CORNER,FRONT(HNGD)"	1	1
10	MULLION	LB-110579	"COND CORNER,FRONT(NON-HNGD)"	1	1
11	ASSY-REPAIR PART S UPPLY/RETURN PANEL	606633-01	SUPPLY/RETURN PANEL(AFTER 01/ 06/11)	1	1
11	PANEL	LB-112053A	RETURN/SUPPLY-REAR BEFORE 01/0 6/11	1	1
12	COVER-DUCT	LB-112052A	RETURN	1	1
13	COVER-DUCT	LB-112052B	SUPPLY	1	1
14	GRILLE-DISCHARGE	63K6001	GRILLE-DISCHARGE	1	1
	COPPER DRAIN TRAP KIT	LB-107882E	COPPER DRAIN TRAP KIT AFTER 01 /06/11	1	1
	FILTER-AIR	100509-02	"16"" X 20"" X 2"""	4	4
	GUARD-COIL	100996-01	2 PC SET (CAT # 17W87)	1	1
	GUARD-HAIL	100995-01	2 PC SET (CAT # 17W89)	1	1
	HINGE	100595-01	ACCESS DOORS (2 PER DOOR)	6	6
	KIT-HANDLE	LB-95291B	"INC HANDLE,CAM,WASHER,SPRING"	1	1
	PVC DRAIN TRAP KIT	LB-107882D	PVC DRAIN TRAP KIT(AFTER 01/0 6/11)	1	1
	TRAP-CONDENSATE	LB-65843A	PVC BEFORE 01-06-11	1	1
	TRAP-CONDENSATE	LB-69287B	COPPER BEFORE 01-06-11	1	1
2	PANEL	LB-112057C	"COMP ACCESS, (HNGD)"	1	1
2	PANEL	LB-112057G	"COMP ACCESS, (NON-HNGD)"	1	1
3	PANEL	LB-112055C	"HEAT ACCESS, (HNGD)"	1	1
3	PANEL	LB-112055G	"HEAT ACCESS, (NON-HNGD)"	1	1
4	PANEL	LB-112056A	"FILTER ACCESS, (HNGD)"	1	1
4	PANEL	LB-112056C	"FILTER ACCESS, (NON-HNGD)"	1	1
5	PANEL	LB-112054A	ACCESSORY ACCESS	1	1

KCA048S4				DASH/Revision # with Qty	
Key	Part Name	Part Number	Description	1	2
7	ASSY-REPAIR PART DRAIN PAN MULLION	606631-01	DRAIN PAN(SHORT)(NON-HINGED)AFT 10/10)	1	1
7	ASSY-REPAIR PART DRAIN PAN MULLION	606631-03	DRAIN PAN(SHORT)(HINGED)AFT 10/10)	1	1
7	MULLION	LB-112059A	(MULLION DRAIN)(SHORT)(HINGED)	1	1
7	MULLION	LB-112059C	(MULLION DRAIN)(SHORT)(NON-HINGED)	1	1
8	MULLION	LB-112078A	"FILTER/ECONO-FRONT, (HNGD)"	1	1
8	MULLION	LB-112078C	"FILTER/ECONO-FRONT, (NON-HNGD)"	1	1
9	MULLION	LB-109517	"COND CORNER,REAR"(BEFORE 08/29/11)	1	1
9	MULLION - COND CORNER (REAR)	608348-01	MULLION - COND CORN(REAR)AFT 08-29-11)	1	1
Category:COOLING PARTS					
30	COMPRESSOR	100040-10	"4TON,208-230/60/1,COPE"	1	1
30	COMPRESSOR	100040-17	"4TON,208-230/60/3,COPE"	1	1
30	COMPRESSOR	100040-18	"4TON,460/60/3,380-420/50/3,COPE"	1	1
30	COMPRESSOR	100040-21	"4TON,575/60/3,COPE"	1	1
			RELAY-OVERLOADCOMP-INTERNAL	1	1
	MOUNT PKG-COMP	74J3001PR	MOUNT PKG-COMP	1	1
32	COIL-OUTDOOR	600114-02	W/MANIFOLD	1	1
33	COIL-INDOOR	600115-02	W/MANIFOLD	1	1
	CAP-SEAL	P-8-3187	CAP, BRASS	5	5
	DISTRIBUTOR ASSY	LB-111917B	I.D.	1	1
	DRIER	38M7201	DRIER, R410A	1	1
	FITTING PRESS TAP	86G6401	FITTING, PRESSURE TAP	5	5
	HARNESS-WIRING	25M3001	COMP(1 PH)	1	1
	HARNESS-WIRING	LB-99231B	COMP(3 PH)	1	1
	PAN - PLASTIC DRAIN	101996-04	PAN - PLASTIC DRAIN AFTER 01/06/11	1	1
	PAN-DRAIN	100431-01	PAN, DRAIN BEFORE 01/06/11	1	1

KCA048S4				DASH/Revision # with Qty	
Key	Part Name	Part Number	Description	1	2
	SWITCH-HIGH PRESSURE MANUAL RESET	102448-01	CUT OUT 640PSIG (MANUAL RESET)	1	1
	VALVE CORE	P-8-1897	VALVE, CORE 8075910047	5	5
	VALVE-EXPANSION	100679-16	VALVE, EXPANSION BBIZE-4-GA (R 410A)	1	1
38	MOTOR-FAN	100640-01	"1/4HP,825RPM,575/60/1"	1	1
38	MOTOR-FAN	100640-02	"1/4HP,825RPM,460/60/1,380-420/50/1"	1	1
38	MOTOR-FAN	72H3601	"1/4HP,825RPM,208-230/60/1"	1	1
	SHIELD-RAIN	P-8-6142	SHIELD, MOTOR	1	1
41	FAN	65C6801	"1/2""BORE,24""DIA,3 BLADE"	1	1
42	MOUNT-MOTOR	63K6201	MOUNT-MOTOR BRKT ASSY	1	1
S11	SWITCH-LO AMBIENT	38M7801	"OPEN 240,CLOSE 450"	1	1
S49	FREEZESTAT	79J1101	EVAP	1	1
Category:ELECTRIC HEATING PARTS					
			FOR REPAIR PARTS REFER TO THE TIEH	1	1
Category:CONTROL PANEL PARTS					
C1	CAPACITOR	39H8901	7.5 MFD @ 370V (460V)	1	1
C1	CAPACITOR-BLR MTR	59C9201	5 MFD 370V (575V)	1	1
	COVER	15M3801	DISC (BEFORE 11/18/05 PROD)	1	1
	COVER	29K2401	DISC (AFTER 11/18/05 PROD)	1	1
	GFI	79J9801	RECEPTACLE(115V)	1	1
	HARNESS-WIRING	LB-110358A	CONTROL	1	1
	SWITCH-DISCONNECT	34K9301	150AMP	1	1
	SWITCH-DISCONNECT	93J3101	"600V,80AMP"	1	1
C12	CAPACITOR-DUAL	100335-22	70+10 MFD @ 370V (208/230V)	1	1
F4	BLOCK, FUSE	P-8-4372	25A-30A	1	1
F4	BLOCK,FUSE	P-8-5848	35A-50A	1	1

KCA048S4				DASH/Revision # with Qty	
Key	Part Name	Part Number	Description	1	2
F4	BLOCK-FUSE	24L4501	70A	1	1
F4	BLOCK-FUSE	P-8-7158	15A-25A	1	1
F4	BLOCK-FUSE	P-8-7177	35A-60A	1	1
	FUSE	P-8-1993	"DUAL ELEM 20A,600V"	3	3
	FUSE	P-8-400	"DUAL ELEM 35A,250V"	3	2
	FUSE	P-8-401	"DUAL ELEM 50A,250V"	3	2
	FUSE	P-8-418	"DUAL ELEM 30A,250V"	3	3
	FUSE	P-8-419	"DUAL ELEM 40A,250V"	3	3
	FUSE	P-8-5813	"DUAL ELEM 25A,600V"	3	3
	FUSE	P-8-5851	"DUAL ELEM 70A,250V"	2	2
	FUSE	P-8-5852	"DUAL ELEM 60A,250V"	3	3
	FUSE	P-8-6936	"DUAL ELEM 45A,250V"	3	3
	FUSE	P-8-7300	"DUAL ELEM 25A,250V"	3	3
	FUSE 15A	P-8-1879	"DUAL ELEM 15A,600V"	3	3
K1	CONTACTOR	100438-02	"COMP,SPST,24V(1PH)"	1	1
K1	CONTACTOR	60M1201	"COMP,3PST,24V(3PH)"	1	1
K3	CONTACTOR	100438-01	BLR-SPST,24V(1 PH-BD; 1 & 3 PH- -DD)	1	1
K3	CONTACTOR	68J3701	"BLR-DPST,24V(3PH-BD MTR)"	1	1
N	BLOCK-TERMINAL	80K6501	(INTL)	1	1
S42	RELAY	99K3101	BLR MTR OVLD(380-420V)	1	1
S47	SWITCH	31L1101	DIRTY FILTER(OPT)	1	1
T1	TRANSFORMER	51M4401	"208/240V & 380/420V PRI, 24V SEC,70VA"	1	1
T1	TRANSFORMER	51M4501	"480V PRI,24V SEC,70VA"	1	1
T1	TRANSFORMER	51M4601	"600V PRI,24V SEC,70VA"	1	1
T4	TRANSFORMER	13H7901	"575V PRI,460V SEC,3.4VA (DD MTR)"	1	1

KCA048S4				DASH/Revision # with Qty	
Key	Part Name	Part Number	Description	1	2
TB1	STRIP-TERMINAL	100669-01	STRIP, TERMINAL	1	1
TB2	BLOCK-TERMINAL	72F8801	BLOCK, TERMINAL	1	1
Category: BLOWER PARTS					
51	MOTOR-BLOWER	103203-01	1HP,1750RPM, 208-230V/60/3		1
51	MOTOR-BLOWER	103203-02	1HP,1750RPM, 460V/60/3		1
51	MOTOR-BLOWER	103203-03	1HP,1750RPM, 575V/60/3		1
51	MOTOR-BLOWER	23G3901	"1-1/2HP,1725RPM,200-230/460/60/3"	1	1
51	MOTOR-BLOWER	23G4001	"2HP,1725RPM,200-230/460/60/3"	1	1
51	MOTOR-BLOWER	49A4301	"2HP,1425RPM,230-400/50/3(INTL)"	1	1
51	MOTOR-BLOWER	49K8101	"1-1/2HP,1725RPM,230/60/1"	1	1
51	MOTOR-BLOWER	P-8-5673	"1-1/2HP,1725RPM,575/60/3"	1	1
51	MOTOR-BLOWER	P-8-5685	"2HP,1725RPM,575/60/3"	1	1
52	PULLEY-BLOWER	100244-18	"1" BORE,4.75 O.D.(DRV 2)"	1	1
52	PULLEY-BLOWER	18L2201	"1" BORE,4.95 O.D.(DRV 6)"	1	1
	HARNESS-WIRING	LB-110569A	BLR MTR-(3 PH)	1	1
	HARNESS-WIRING	LB-110569B	BLR MTR-(INTL)	1	1
	HARNESS-WIRING	LB-110569C	BLR MTR-(1 PH)	1	1
	HARNESS-WIRING	LB-110569D	BLR MTR (DIRECT DRIVE)	1	1
	HARNESS-WIRING	LB-111905A	"BLR MTR-K3,S42(INTL)"	1	1
	MOUNT-BLR MTR	LB-110194	MOUNT, MOTOR	1	1
53	BELT	100245-16	A39(DRV 2)	1	1
53	BELT	100245-18	A41(DRV 6)	1	1
54	BRACKET	100817-01	BEARING	2	2
55	HOUSING-BLOWER	LB-112080A	ASSY-BLOWER HOUSING	1	1
55	HOUSING-BLOWER	LB-112080B	PAINTED	1	1

KCA048S4				DASH/Revision # with Qty	
Key	Part Name	Part Number	Description	1	2
56	WHEEL-BLOWER	LB-29333BDA	"1" BORE,10" X 10"	1	1
57	SHAFT-BLOWER	31K7401	"1" DIA,18" LONG	1	1
	KEY	LB-21259D	BLR PULLEY	1	1
58	BEARING RUBRB-116 SK2430 LX5	100639-02	"1" BORE"	2	2
59	PULLEY-MOTOR	31K6901	"7/8" BORE,3.15 O.D.(DRV 2)"	1	1
59	PULLEY-MOTOR	P-8-1488	"7/8" BORE,4.15 O.D.(DRV 6)"	1	1
Category:DIRECT DRIVE BLOWER PARTS					
51	MOTOR, BLOWER 1/2 HP 230V	100792-01	"1/2HP,1075RPM,208/230/60/1"	1	1
51	MOTOR-BLOWER 1/2 H P 460V	100792-02	"1/2HP,1075RPM,460/60/1"	1	1
55	HOUSING-BLOWER	LB-112080C	ASSY - BLOWER HOUSING	1	1
55	HOUSING-BLOWER	LB-112080D	CORR PROT	1	1
56	WHEEL-BLOWER	LB-29333BDB	"1/2" BORE,10" X 10"	1	1
64	ARM-MOTOR MTG	98G2201	BRACKET	3	3
	BAND-MOTOR	62A5701	BAND - MOTOR	1	1
66	CAPACITOR-FAN	100463-08	CAPACITOR-RUN 10 MFD/440V, RND	1	1
	HARNESS-WIRING	LB-110569D	DIRECT DRIVE	1	1
Category:ECONOMIZER SECTION					
1	101613-01 GED Assy	101613-01	GED Assy	1	
1	FILTER, AIR 33-7/1 6 X 15-3/4 X 7/8 METAL	102500-01	FILTER, AIR 33-7/16 X 15-3/4 X 7/8 METAL		1
1	FILTER-FRESH AIR M IST ELIMINATOR	101789-01	FILTER-FRESH AIR MIST ELIMINAT OR	1	
1	GED PKG ASSY SHORT CAB	605993-01	GED PKG ASSY SHORT CAB W/72W89		1
	EXHAUST AIR HOOD P KG ASSY SHORT CAB	605995-01	EXHAUST AIR HOOD PKG ASSY W/72 W93		1
	FRESH AIR HOOD PKG ASSY SHORT CAB	605994-01	FRESH AIR HOOD PKG ASSY W/72W9 1		1
	HOOD	100855-02	OUTDOOR AIR ASSY	1	
A6	CONTROLLER	60M1001	ECON-ENTHALPY	1	1

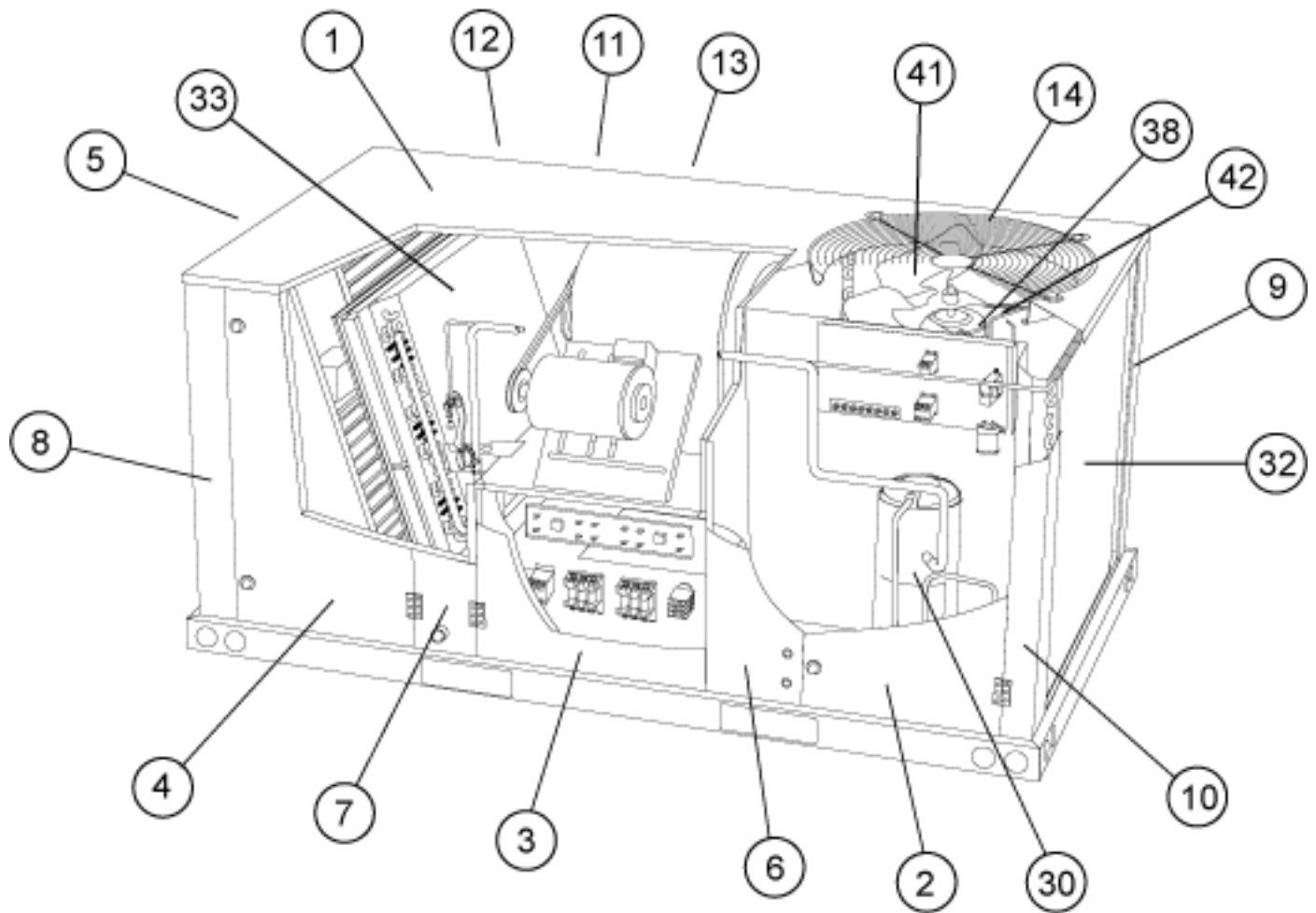
KCA048S4				DASH/Revision # with Qty	
Key	Part Name	Part Number	Description	1	2
A7	SENSOR	54G4401	ENTHALPY-OUT-DOOR	1	1
B7	MOTOR-DAMPER HONEYWELL	60M1101	24V (MODULATING)	1	1
B7	MOTOR-DAMPER HONEYWELL	78G6701	24V-OAD (3 POSITION)		1
B7	MOTOR-DAMPER SIEMENS	102691-03	24V-MODULATING(SIEMENS)	1	
B7	MOTOR-DAMPER SIEMENS	102691-02	24V-OAD 3 POSITION(SIEMENS)	1	
R1	SENSOR	79J0901	MIXED AIR	1	1
S175	SENSOR SINGLE SENSIBLE CONTROL	102527-01	SENSOR SINGLE SENSIBLE CONTROL	1	1
Category:EXHAUST AIR DAMPER SECTION					
	BLOCK-FUSE	10G5901	2 POLE	1	
	CAPACITOR	39H6101	CAPACITOR, RUN 10 @370V: USE 53H1201PR		1
	CAPACITOR	39H6201	CAPACITOR 12.5 MFD @ 370V OVAL	1	
	FAN	101610-02	"1/2""BORE,16""DIA,4 BLADE"	1	
	FAN 16 IN 26 DEG .500 BORE CW HUB OUT	102708-01	FAN 16 IN 26 DEG .500 BORE CW		1
	FUSE	10G6001	"9AMP,600V"	1	
	MOTOR-FAN	101611-01	"3/4 HP,1050 RPM,208-230/60/1"	1	
	MOTOR-FAN	101611-02	"3/4 HP,1050 RPM,460/60/1"	1	
	MOTOR-FAN	101611-03	"3/4 HP,1050 RPM,575/60/1"	1	
	MOTOR-FAN	79J8101	MOTOR, 1/3 HP 230V		1
	MOTOR-FAN	79J8201	MOTOR, 1/3 HP 460V		1
	MOTOR-FAN	79J8301	MOTOR, 1/3 HP 575V		1
	MOUNT-MOTOR	101612-01	MOTOR MOUNT	1	
	MOUNT-MOTOR	63K6701	MOUNT, MOTOR		1
	RELAY	67K6501	RELAY	1	1
Category:*OPTIONAL PARTS-FACTORY+ FIELD INSTALLED					
KIT 1	C1SNSR44AP1 SMOKE DETECTOR	603408-01	SUPPLY & RETURN (INCLUDES NEXT 8 PARTS)	1	1

KCA048S4				DASH/Revision # with Qty	
Key	Part Name	Part Number	Description	1	2
	BRACE - SMOKE DETECTOR (9 pcs blk)	602841-01	SENSOR BRACE	1	1
	BRACKET -SUB.ASSY. SMOKEDETECTOR(8pcblk)	602840-01	SENSOR BRACKET	1	1
	BRACKET, SD POWER BOARD	606620-01	BRACKET, SD POWER BOARD	1	1
	HARNESS - JUMPER SMOKE DETECTOR SUPPLY	604374-01	HARNESS - JUMPER SMOKE DETECTOR SUPPLY	1	1
	SMOKE DETECTOR D4P 120 POWER BOARD	102326-01	POWER BOARD	1	1
	SMOKE DETECTOR D4S SENSOR COMPONENT	102325-01	SMOKE DETECTOR D4S SENSOR COMPONENT	1	1
	SMOKE DETECTOR PHOTOELECTRIC	103447-01	SMOKE DETECTOR SENSOR HEAD	1	1
	TUBE-AIR DUCT SAMPLING 24 IN	102371-02	TUBE-AIR DUCT SAMPLING 24 IN	1	1
KIT 2	LOW AMBIENT KIT	LB-107318AJ	INCL NEXT 3 PARTS	1	1
	HARNESS-WIRING	LB-112429B	HARNESS, LOW AMBIENT TC, TG, - G, J, M	1	1
	RELAY	56L6801	"SPDT,24V"	1	1
	SWITCH-LO AMBIENT	38M7801	"OPEN 240,CLOSE 450"	1	1

NOTE

COOLING-PACKAGED
JULY 2007

KCA 024-072 SERIES



KCA060S4				DASH/Revision # with Qty		
Key	Part Name	Part Number	Description	1	2	3
Category:CABINET PARTS						
1	PANEL-TOP	LB-112051A	ASSY - REPAIR PART PANEL TOP	1	1	1
10	MULLION	LB-110578	"COND CORNER,FRONT(HNGD)"	1	1	1
10	MULLION	LB-110579	"COND CORNER,FRONT(NON-HNGD)"	1	1	1
11	ASSY-REPAIR PART S UPPLY/RETURN PANEL	606633-01	SUPPLY/RETURN PANEL AFTER 01/0 6/11	1	1	1
11	PANEL	LB-112053A	RETURN/SUPPLY-REAR(BEFORE 01/ 06/11)	1	1	1
12	COVER-DUCT	LB-112052A	RETURN	1	1	1
13	COVER-DUCT	LB-112052B	SUPPLY	1	1	1
14	GRILLE-DISCHARGE	63K6001	GRILLE-DISCHARGE	1	1	1
	COPPER DRAIN TRAP KIT	LB-107882E	COPPER DRAIN TRAP KIT AFTER 01 /06/11	1	1	1
	FILTER-AIR	100509-02	"16"" X 20"" X 2"""	4	4	4
	GUARD-COIL	100996-01	2 PC SET (CAT # 17W87)	1	1	1
	GUARD-HAIL	100995-01	2 PC SET (CAT # 17W89)	1	1	1
	HINGE	100595-01	ACCESS DOORS (2 PER DOOR)	6	6	6
	KIT-HANDLE	LB-95291B	"INC HANDLE,CAM,WASHER,SPRING"	1	1	1
	PVC DRAIN TRAP KIT	LB-107882D	PVC DRAIN TRAP KIT AFTER 01/06 /11	1	1	1
	TRAP-CONDENSATE	LB-65843A	PVC(BEFORE 01/06/11)	1	1	1
	TRAP-CONDENSATE	LB-69287B	COPPER(BEFORE 01/06/11)	1	1	1
2	PANEL	LB-112057C	"COMP ACCESS, (HNGD)"	1	1	1
2	PANEL	LB-112057G	"COMP ACCESS, (NON-HNGD)"	1	1	1
3	PANEL	LB-112055C	"HEAT ACCESS, (HNGD)"	1	1	1
3	PANEL	LB-112055G	"HEAT ACCESS, (NON-HNGD)"	1	1	1
4	PANEL	LB-112056A	"FILTER ACCESS, (HNGD)"	1	1	1
4	PANEL	LB-112056C	"FILTER ACCESS, (NON-HNGD)"	1	1	1
5	PANEL	LB-112054A	ACCESSORY ACCESS	1	1	1

KCA060S4				DASH/Revision # with Qty		
Key	Part Name	Part Number	Description	1	2	3
6	MULLION	LB-110593	"HEAT-FRONT RIGHT, (HNGD)"		1	
6	MULLION	LB-110594	"HEAT-FRONT RIGHT, (NON-HNGD)"		1	
7	ASSY-REPAIR PART DRAIN PAN MULLION	606631-01	DRAIN PAN(SHORT)(NON-HINGED)AFT 10/10)	1	1	1
7	ASSY-REPAIR PART DRAIN PAN MULLION	606631-03	DRAIN PAN(SHORT)(HINGED)AFT 10/10)	1	1	1
7	MULLION	LB-112059A	(MULLION DRAIN)(SHORT)(HINGED)	1	1	1
7	MULLION	LB-112059C	(MULLION DRAIN)(SHORT)(NON-HINGED)	1	1	1
8	MULLION	LB-112078A	"FILTER/ECONO-FRONT, (HNGD)"	1	1	1
8	MULLION	LB-112078C	"FILTER/ECONO-FRONT, (NON-HNGD)"	1	1	1
9	MULLION	LB-109517	"COND CORNER,REAR"(BEFORE 08/29/11)	1	1	1
9	MULLION - COND CORNER (REAR)	608348-01	MULLION - COND CORN(REAR)AFT 08-20-11	1	1	1
Category:COOLING PARTS						
30	COMPRESSOR	100040-11	"5TON,208-230/60/1,COPE"	1	1	
30	COMPRESSOR	100040-26	"5TON,208-230/60/3,COPE"	1	1	
30	COMPRESSOR	100040-28	"5TON,575/60/3,COPE"	1	1	
30	COMPRESSOR	102931-01	4.5TON,460/60/3,380-420/50/3,INTERLINK			1
30	COMPRESSOR	102931-02	4.5TON,208-230/60/3,INTERLINK			1
30	COMPRESSOR	102931-03	4.5TON,575/60/3,INTERLINK			1
30	COMPRESSOR	102931-04	4.5TON,208-230/60/1,INTERLINK			1
30	COMPRESSOR ZP51K5E -TFD-830 4.5T G	100040-27	"5TON,460/60/3,380-420/50/3,COPE"	1	1	
			RELAY-OVERLOADCOMP-INTERNAL	1	1	1
	COVER - TERMINAL	103023-01	COVER - TERMINAL			1
	COVER-THERMAL SWITCH	103048-02	COVER THERMAL SWITCH			1
	GASKET, COMPRESSOR HARNESS	103022-01	GASKET, COMPRESSOR HARNESS			1
	MOUNT PKG-COMP	74J3001PR	MOUNT PKG-COMP	1	1	1
	SWITCH-THERMAL	103048-01	SWITCH THERMAL ASSY			1

KCA060S4				DASH/Revision # with Qty		
Key	Part Name	Part Number	Description	1	2	3
32	COIL-OUTDOOR	600114-03	W/MANIFOLD	1	1	1
33	COIL-INDOOR	600115-03	W/MANIFOLD	1	1	1
33	DRIER	38M7201	DRIER, R410A	1	1	
33	HARNESS - COMPRESSOR 40" INTERLINK	605430-01	HARNESS - COMP 40" INTERLINK(Y,G,P,M)			1
33	HARNESS-COMP	15M3501	COMP(1 PH)	1	1	
33	HARNESS-COMP	15M3601	COMP(3 PH)	1	1	
	CAP-SEAL	P-8-3187	CAP, BRASS	5	5	5
	DISTRIBUTOR ASSY	LB-111917G	I.D.	1	1	1
	DRIER	38M7201	DRIER, R410A	1	1	
	DRIER	P-8-9663	LIQUID LINE			1
	FITTING PRESS TAP	86G6401	FITTING, PRESSURE TAP	5	5	5
	HARNESS-COMP	15M3501	COMP(1 PH)	1	1	
	HARNESS-COMP	15M3601	COMP(3 PH)	1	1	
	HARNESS-COMPRESSOR MOLDED PLUG	102932-01	HARNESS-COMPRESSOR MOLDED PLUG			1
	PAN - PLASTIC DRAIN	101996-04	PAN - PLASTIC DRAIN AFTER 01/06/11	1	1	1
	PAN-DRAIN	100431-01	PAN, DRAIN BEFORE 01/06/11	1	1	1
	SWITCH-HIGH PRESSURE MANUAL RESET	102448-01	CUT OUT 640PSIG (MANUAL RESET)	1	1	1
	VALVE CORE	P-8-1897	VALVE, CORE 8075910047	5	5	5
	VALVE-EXPANSION	100679-17	VALVE, EXPANSION BBIZE-5-GA (R410A)	1	1	1
38	MOTOR-FAN	79J8101	"1/3HP,1075RPM,208-230/60/1"	1	1	1
38	MOTOR-FAN	79J8201	"1/3HP,1075RPM,460/60/1,380-420/50/1"	1	1	1
38	MOTOR-FAN	79J8301	"1/3HP,1075RPM,575/60/1"	1	1	1
	SHIELD-RAIN	P-8-6142	SHIELD, MOTOR	1	1	1
41	FAN	65C6801	"1/2"BORE,24"DIA,3 BLADE"	1	1	1
42	MOUNT-MOTOR	63K6201	MOUNT-MOTOR BRKT ASSY	1	1	1

KCA060S4				DASH/Revision # with Qty		
Key	Part Name	Part Number	Description	1	2	3
S11	SWITCH-LO AMBIENT	38M7801	"OPEN 240,CLOSE 450"	1	1	
S11	SWITCH-LO AMBIENT	79J0701	"OPEN 150,CLOSE 275 (OPT)"			1
S49	FREEZESTAT	79J1101	EVAP	1	1	1
Category:ELECTRIC HEATING PARTS						
			FOR REPAIR PARTS REFER TO THE TIEH	1		1
Category:CONTROL PANEL PARTS						
C1	CAPACITOR	39H8901	7.5 MFD @ 370V (460V)	1	1	1
C1	CAPACITOR-BLR MTR	59C9201	RUN 5 MFD 370V (575V)	1	1	1
	COVER	15M3801	DISC (BEFORE 11/18/05 PROD)	1	1	1
	COVER	29K2401	DISC (AFTER 11/18/05 PROD)	1	1	1
	GFI	79J9801	RECEPTACLE(115V)	1	1	1
	HARNESS-WIRING	LB-110358A	CONTROL	1	1	1
	SWITCH-DISCONNECT	34K9301	150AMP	1	1	1
	SWITCH-DISCONNECT	93J3101	"600V,80AMP"	1	1	1
C12	CAPACITOR-DUAL	100335-22	70+10 MFD,370VAC (208/230)	1		
C12	CAPACITOR-RUN 75 + 10 MFD @ 440V ROUND	100335-51	75 + 10 MFD @ 440V (208/230)		1	1
F4	BLOCK, FUSE	P-8-4372	25A-30A	1	1	1
F4	BLOCK,FUSE	P-8-5848	35A-50A	1	1	1
F4	BLOCK-FUSE	24L4501	70A	1	1	1
F4	BLOCK-FUSE	P-8-7158	15A-25A	1	1	1
F4	BLOCK-FUSE	P-8-7177	"35A-60A"	1	1	1
	FUSE	P-8-1993	"DUAL ELEM 20A,600V"	3	3	3
	FUSE	P-8-400	"DUAL ELEM 35A,250V"	3	3	3
	FUSE	P-8-401	"DUAL ELEM 50A,250V"	3	3	3
	FUSE	P-8-418	"DUAL ELEM 30A,250V"	3	3	3

KCA060S4				DASH/Revision # with Qty		
Key	Part Name	Part Number	Description	1	2	3
	FUSE	P-8-419	"DUAL ELEM 40A,250V"	3	3	3
	FUSE	P-8-5813	"DUAL ELEM 25A,600V"	3	3	3
	FUSE	P-8-5851	"DUAL ELEM 70A,250V"	1	1	1
	FUSE	P-8-5852	"DUAL ELEM 60A,250V"	3	3	3
	FUSE	P-8-6936	"DUAL ELEM 45A,250V"	3	3	3
	FUSE	P-8-7300	"DUAL ELEM 25A,250V"	3	3	3
	FUSE 15A	P-8-1879	"DUAL ELEM 15A,600V"	3	3	3
K1	CONTACTOR	100438-02	"COMP,SPST,24V(1 PH)"	1	1	1
K1	CONTACTOR	60M1201	"COMP,3PST,24V(3 PH)"	1	1	1
K3	CONTACTOR	100438-01	"BLR-SPST,24V(1 PH-BD; 1 & 3 P H-DD)"	1	1	1
K3	CONTACTOR	68J3701	"BLR-DPST,24V(3PH-BD)"	1	1	1
N	BLOCK-TERMINAL	80K6501	(INTL)	1	1	1
S42	RELAY	99K3101	BLR MTR OVLD(380-420V)	1	1	1
S47	SWITCH	31L1101	DIRTY FILTER(OPT)	1	1	1
T1	TRANSFORMER	51M4401	"208/240V & 380/420V PRI, 24V SEC,70VA"	1	1	1
T1	TRANSFORMER	51M4501	"480V PRI,24V SEC,70VA"	1	1	1
T1	TRANSFORMER	51M4601	"600V PRI,230V SEC,70VA"	1	1	1
TB1	STRIP-TERMINAL	100669-01	STRIP, TERMINAL	1	1	1
TB2	BLOCK-TERMINAL	72F8801	BLOCK, TERMINAL	1	1	1
Category: BLOWER PARTS						
51	MOTOR-BLOWER	103203-01	"1HP,1750RPM, 208-230V/3PH			1
51	MOTOR-BLOWER	103203-02	"1HP,1750RPM, 460V/3PH			1
51	MOTOR-BLOWER	103203-03	"1HP,1750RPM, 575V/3PH			1
51	MOTOR-BLOWER	23G3901	"1-1/2HP,1725RPM,200-230/460/60/3"	1	1	
51	MOTOR-BLOWER	23G4001	"2HP,1725RPM,200-230/460/60/3"	1	1	

KCA060S4				DASH/Revision # with Qty		
Key	Part Name	Part Number	Description	1	2	3
51	MOTOR-BLOWER	49A4301	"2HP,1425RPM,230-400/50/3(INTL))"	1	1	1
51	MOTOR-BLOWER	49K8101	"1-1/2HP,1725RPM,230/60/1"	1	1	1
51	MOTOR-BLOWER	P-8-5673	"1-1/2HP,1725RPM,575/60/3"	1	1	
51	MOTOR-BLOWER	P-8-5685	"2HP,1725RPM,575/60/3"	1	1	1
52	PULLEY-BLOWER	100244-16	"1""BORE,4.25 O.D.(DRV 3)"	1	1	1
52	PULLEY-BLOWER	100244-19	"1""BORE,5.25 O.D.(DRV 7)"	1	1	1
	HARNESS-WIRING	LB-110569A	BLR MTR-(3 PH)	1	1	1
	HARNESS-WIRING	LB-110569B	BLR MTR-(INTL)	1	1	1
	HARNESS-WIRING	LB-110569C	BLR MTR-(1 PH)	1	1	1
	HARNESS-WIRING	LB-110569D	BLR MTR (DIRECT DRIVE)	1	1	1
	HARNESS-WIRING	LB-110905A	"BLR MTR-K3,S42(INTL)"	1	1	1
	MOUNT-BLR MTR	LB-110194	MOUNT, MOTOR	1	1	1
53	BELT	100245-16	A39(DRV 3)	1	1	1
53	BELT	73K8201	AX43(DRV 7)	1	1	1
54	BRACKET	100817-01	BEARING	2	2	2
55	HOUSING-BLOWER	LB-112080A	ASSY-BLOWER HOUSING	1	1	1
55	HOUSING-BLOWER	LB-112080B	PAINTED	1	1	1
56	WHEEL-BLOWER	LB-29333BDA	"1"" BORE,10"" X 10""	1	1	1
57	SHAFT-BLOWER	31K7401	"1""DIA,18"" LONG"	1	1	1
	KEY	LB-21259D	BLR PULLEY	1	1	1
58	BEARING RUBRB-116 SK2430 LX5	100639-02	"1""BORE"	2	2	2
59	PULLEY-MOTOR	31K6901	"7/8""BORE,3.15 O.D.(DRV 3)"	1	1	1
59	PULLEY-MOTOR	P-8-2187	"7/8""BORE,4.75 O.D.(DRV 7)"	1	1	1
Category:DIRECT DRIVE BLOWER PARTS						
51	MOTOR-BLOWER 3/4 H P 230V	100792-03	"3/4HP,1075RPM,208/230/60/1"	1	1	1

KCA060S4				DASH/Revision # with Qty		
Key	Part Name	Part Number	Description	1	2	3
51	MOTOR-BLOWER 3/4 H P 460V	100792-04	"3/4HP,1075RPM,460/60/1"	1	1	1
55	HOUSING-BLOWER	LB-112080C	ASSY - BLOWER HOUSING	1	1	1
55	HOUSING-BLOWER	LB-112080D	CORR PROT	1	1	1
56	WHEEL-BLOWER	LB-29333BDB	"1/2""BORE,11"" X 10""	1	1	1
64	ARM-MOTOR MTG	98G2201	BRACKET	3	3	3
	BAND-MOTOR	62A5701	BAND - MOTOR	1	1	1
66	CAPACITOR-FAN	100463-08	CAPACITOR-RUN 10 MFD/440V, RND	1	1	1
	HARNESS-WIRING	LB-110569D	DIRECT DRIVE	1	1	1
Category:ECONOMIZER SECTION						
1	101613-01 GED Assy	101613-01	GED Assy	1	1	
1	DAMPER ASSY	100948-02	ECONOMIZER KIT ASSY	1	1	1
1	DAMPER ASSY	100949-02	MANUAL OAD ASSY	1	1	1
1	DAMPER ASSY	100950-01	MOTORIZED OAD ASSY	1	1	1
1	FILTER, AIR 33-7/1 6 X 15-3/4 X 7/8 METAL	102500-01	FILTER, AIR 33-7/16 X 15-3/4 X 7/8 METAL			1
1	FILTER-FRESH AIR M IST ELIMINATOR	101789-01	FILTER-FRESH AIR MIST ELIMINAT OR	1	1	
1	GED PKG ASSY SHORT CAB	605993-01	GED PKG ASSY SHORT CAB W/72W89			1
	FRESH AIR HOOD PKG ASSY SHORT CAB	605994-01	FRESH AIR HOOD PKG ASSY W/72W9 1			1
	HOOD	100855-02	OUTDOOR AIR ASSY	1	1	
A6	CONTROLLER	60M1001	ECON-ENTHALPY	1	1	1
A7	SENSOR	54G4401	ENTHALPY-OUT-DOOR	1	1	1
B7	MOTOR-DAMPER HONEY WELL	60M1101	24V (MODULATING)	1	1	1
B7	MOTOR-DAMPER HONEY WELL	78G6701	24V-OAD (3 POSITION)			1
B7	MOTOR-DAMPER SIEME NS	102691-03	24V-MODULATING(SIEMENS)	1	1	1
B7	MOTOR-DAMPER SIEME NS	102691-02	24V-OAD 3 POSITION(SIEMENS)	1	1	1
R1	SENSOR	79J0901	MIXED AIR	1	1	1

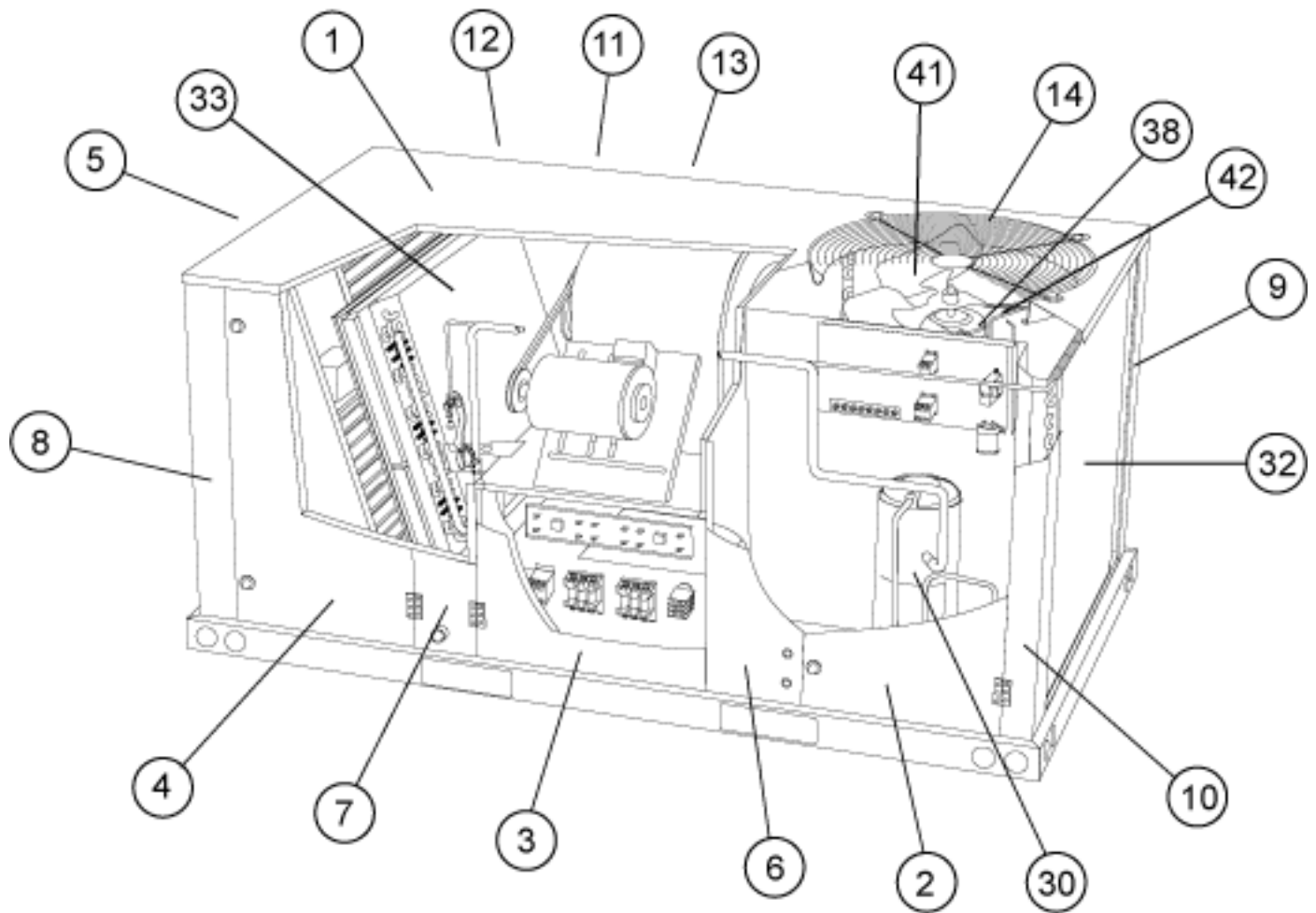
KCA060S4				DASH/Revision # with Qty		
Key	Part Name	Part Number	Description	1	2	3
S175	SENSOR SINGLE SENS IBLE CONTROL	102527-01	SENSOR SINGLE SENSIBLE CONTROL	1	1	1
Category:EXHAUST AIR DAMPER SECTION						
	BLOCK-FUSE	10G5901	2 POLE	1	1	
	CAPACITOR	39H6101	CAPACITOR, RUN 10 @370V: USE 5 3H1201PR			1
	CAPACITOR	39H6201	CAPACITOR 12.5 MFD @ 370V OVAL	1	1	
	FAN	101610-02	"1/2""BORE,16""DIA,4 BLADE"	1	1	
	FAN 16 IN 26 DEG . 500 BORE CW HUB OUT	102708-01	FAN 16 IN 26 DEG .500 BORE CW			1
	FUSE	10G6001	"9AMP,600V"	1	1	
	MOTOR-FAN	101611-01	"3/4 HP,1050 RPM,208-230/60/1"	1	1	
	MOTOR-FAN	101611-02	"3/4 HP,1050 RPM,460/60/1"	1	1	
	MOTOR-FAN	101611-03	"3/4 HP,1050 RPM,575/60/1"	1	1	
	MOTOR-FAN	79J8101	MOTOR, 1/3 HP 230V			1
	MOTOR-FAN	79J8201	MOTOR, 1/3 HP 460V			1
	MOTOR-FAN	79J8301	MOTOR, 1/3 HP 575V			1
	MOUNT-MOTOR	101612-01	MOTOR MOUNT	1	1	
	MOUNT-MOTOR	63K6701	MOUNT, MOTOR			1
	RELAY	67K6501	RELAY	1		1
Category:*OPTIONAL PARTS-FACTORY+ FIELD INSTALLED						
KIT 2	LOW AMBIENT KIT	LB-107318AJ	INCL NEXT 3 PARTS	1	1	1
	HARNESS-WIRING	LB-112429B	HARNESS, LOW AMBIENT TC, TG, - G, J, M	1	1	1
	RELAY	56L6801	"SPDT,24V"	1	1	1
	SWITCH-LO AMBIENT	38M7801	"OPEN 240,CLOSE 450"	1	1	1
KIT 3	HI PRESS SWITCH KI T	LB-107318T	INCL NEXT 2 PARTS		1	
	HARNESS-WIRING	LB-112428A	HIGH PRESSURE TG, TC HARNESS		1	
	SWITCH-HIGH PRESSU RE MANUAL RESET	102448-01	CUT OUT 640PSIG		1	

KCA060S4				DASH/Revision # with Qty		
Key	Part Name	Part Number	Description	1	2	3
KIT 4	C1SNSR44AP1 SMOKE DETECTOR	603408-01	SUPPLY & RETURN (INCLUDES NEXT 8 PARTS)	1	1	1
	BRACE - SMOKE DETECTOR (9 pcs blk)	602841-01	SENSOR BRACE	1	1	1
	BRACKET -SUB.ASSY. SMOKEDETECTOR(8pcblk)	602840-01	SENSOR BRACKET	1	1	1
	BRACKET, SD POWER BOARD	606620-01	BRACKET, SD POWER BOARD	1	1	1
	HARNESS - JUMPER SMOKE DETECTOR SUPPLY	604374-01	HARNESS - JUMPER SMOKE DETECTOR SUPPLY	1	1	1
	SMOKE DETECTOR D4P 120 POWER BOARD	102326-01	POWER BOARD	1	1	1
	SMOKE DETECTOR D4S SENSOR COMPONENT	102325-01	SMOKE DETECTOR D4S SENSOR COMPONENT	1	1	1
	SMOKE DETECTOR PHOTOELECTRIC	103447-01	SMOKE DETECTOR SENSOR HEAD	1	1	1
	TUBE-AIR DUCT SAMPLING 24 IN	102371-02	TUBE-AIR DUCT SAMPLING 24 IN	1	1	1

NOTE

COOLING-PACKAGED
JULY 2007

KCA 024-072 SERIES



KCA072S4				DASH/Revision # with Qty	
Key	Part Name	Part Number	Description	1	2
Category:CABINET PARTS					
1	PANEL-TOP	LB-112051A	ASSY - REPAIR PART PANEL TOP	1	1
10	MULLION	LB-110580	"COND CORNER,FRONT(HNGD)"	1	1
10	MULLION	LB-110581	"COND CORNER,FRONT(NON-HNGD)"	1	1
11	ASSY-REPAIR PART S UPPLY/RETURN PANEL	606633-02	SUPPLY/RETURN PANEL AFTER 01/0 6/11	1	1
11	PANEL	LB-112053B	RETURN/SUPPLY-REAR(BEFORE 01/ 06/11)	1	1
12	COVER-DUCT	LB-112052A	RETURN	1	1
13	COVER-DUCT	LB-112052B	SUPPLY	1	1
14	GRILLE-DISCHARGE	63K6001	GRILLE-DISCHARGE	1	1
	COPPER DRAIN TRAP KIT	LB-107882E	COPPER DRAIN TRAP KIT(AFTER 01 /06/11)	1	1
	FILTER-AIR	100509-01	"20"" X 20"" X 2"""	4	4
	GUARD-COIL	100996-02	2 PC SET (CAT # 17W88)	1	1
	GUARD-HAIL	100995-02	2 PC SET (CAT # 17W90)	1	1
	HINGE	100595-01	ACCESS DOORS (2 PER DOOR)	6	6
	KIT-HANDLE	LB-95291B	"INC HANDLE,CAM,WASHER,SPRING"	1	1
	PVC DRAIN TRAP KIT	LB-107882D	PVC DRAIN TRAP KIT(AFTER 01/0 6/11)	1	1
	TRAP-CONDENSATE	LB-65843A	PVC(BEFORE 01/06/11)	1	1
	TRAP-CONDENSATE	LB-69287B	COPPER(BEFORE 01/06/11)	1	1
2	PANEL	LB-112057D	"COMP ACCESS, (HNGD)"	1	1
2	PANEL	LB-112057H	"COMP ACCESS, (NON-HNGD)"	1	1
3	PANEL	LB-112055D	"HEAT ACCESS, (HNGD)"	1	1
3	PANEL	LB-112055H	"HEAT ACCESS, (NON-HNGD)"	1	1
4	PANEL	LB-112056B	"FILTER ACCESS, (HNGD)"	1	1
4	PANEL	LB-112056D	"FILTER ACCESS, (NON-HNGD)"	1	1
5	PANEL	LB-112054B	ACCESSORY ACCESS	1	1

KCA072S4				DASH/Revision # with Qty	
Key	Part Name	Part Number	Description	1	2
7	ASSY-REPAIR PART DRAIN PAN MULLION	606631-02	DRAIN PAN(TALL)(HINGED)AFT 10/10)	1	1
7	ASSY-REPAIR PART DRAIN PAN MULLION	606631-04	DRAIN PAN(TALL)(NON-HINGED)AFT 10/10)	1	1
7	MULLION	LB-112059B	MULLION DRAIN(TALL)(HINGED)AFT 10/10)	1	1
7	MULLION	LB-112059D	MULLION DRAIN(TALL)(NON-HINGED)AFT 10/10)	1	1
8	MULLION	LB-112078B	"FILTER/ECONO-FRONT, (HNGD)"	1	1
8	MULLION	LB-112078D	"FILTER/ECONO-FRONT, (NON-HNGD)"	1	1
9	MULLION	LB-109525	"COND CORNER,REAR"(BEFORE 08/29/11)	1	1
9	MULLION - COND CORNER	608262-01	MULLION - COND CORNER (AFT 08-29-11)	1	1
Category:COOLING PARTS					
30	COMPRESSOR ZP61KCE-TF5-130	100227-11	"6TON,208-230/60/3,COPE"	1	1
30	COMPRESSOR ZP61KCE-TFD-130	100227-12	"6TON,460/60/3,320-480/50/3COPE"	1	1
30	COMPRESSOR ZP61KCE-TFE-130	100227-13	"6TON,575/60/3,COPE"	1	1
			RELAY-OVERLOADCOMP-INTERNAL	1	1
	HEATER-CRANKCASE	100499-07	600V	1	1
	HEATER-CRANKCASE	100499-08	480V	1	1
	HEATER-CRANKCASE	100499-10	240V	1	1
	MOUNT PKG-COMP	74J3001PR	MOUNT PKG-COMP	1	1
32	COIL-OUTDOOR	600114-04	W/MANIFOLD	1	1
33	COIL-INDOOR	600115-04	W/MANIFOLD	1	1
	CAP-SEAL	P-8-3187	CAP, BRASS	5	5
	DISTRIBUTOR ASSY	LB-111917C	I.D.	1	1
	DRIER	38M7201	DRIER, R410A	1	1
	FITTING PRESS TAP	86G6401	FITTING, PRESSURE TAP	5	5
	HARNESS-WIRING	LB-99231B	"COMP (380-400, 460, 575V 3 PH)"	1	1
	HARNESS-WIRING	LB-99231J	COMP (208-230V 3 PH)	1	1

KCA072S4				DASH/Revision # with Qty	
Key	Part Name	Part Number	Description	1	2
	PAN - PLASTIC DRAIN	101996-04	PAN - PLASTIC DRAIN AFTER 01/06/11	1	1
	PAN-DRAIN	100431-01	PAN, DRAIN(BEFORE 01/06/11)	1	1
	SWITCH-HIGH PRESSURE MANUAL RESET	102448-01	CUT OUT 640PSIG (MANUAL RESET)	1	1
	VALVE CORE	P-8-1897	VALVE, CORE 8075910047	5	5
	VALVE-EXPANSION	100233-02	VALVE, EXPANSION (R410A, 6 TON)	1	1
38	MOTOR-FAN	79J8101	"1/3HP,1075RPM,208-230/60/1"	1	1
38	MOTOR-FAN	79J8201	"1/3HP,1075RPM,460/60/1,380-420/50/1"	1	1
38	MOTOR-FAN	79J8301	"1/3HP,1075RPM,575/60/1"	1	1
	SHIELD-RAIN	P-8-6142	SHIELD, MOTOR	1	1
41	FAN	100654-01	"1/2""BORE,24""DIA,3 BLADE"	1	1
42	MOUNT-MOTOR	63K6201	MOUNT-MOTOR BRKT ASSY	1	1
S11	SWITCH-LO AMBIENT	38M7801	"OPEN 240,CLOSE 450"	1	1
S49	FREEZESTAT	79J1101	EVAP	1	1
Category:ELECTRIC HEATING PARTS					
			FOR REPAIR PARTS REFER TO THE T1EH	1	1
Category:CONTROL PANEL PARTS					
C1	CAPACITOR	39H6101	"O.D.FAN,10MFD,370VAC"	1	1
C1	CAPACITOR	39H6301	O.D. FAN,15 MFD @ 370VAC (INTL)	1	1
	COVER	15M3801	DISC (BEFORE 11/18/05 PROD)	1	1
	COVER	29K2401	DISC (AFTER 11/18/05 PROD)	1	1
	GFI	79J9801	RECEPTACLE(115V)	1	1
	HARNESS-WIRING	LB-110358A	CONTROL	1	1
	SWITCH-DISCONNECT	34K9301	150AMP	1	1
	SWITCH-DISCONNECT	93J3101	"600V,80AMP"	1	1
F4	BLOCK, FUSE	P-8-4372	25A-30A	1	1

KCA072S4				DASH/Revision # with Qty	
Key	Part Name	Part Number	Description	1	2
F4	BLOCK,FUSE	P-8-5848	35A-50A	1	1
F4	BLOCK-FUSE	P-8-7158	15A-25A	1	1
	FUSE	P-8-1993	"DUAL ELEM 20A,600V"	3	3
	FUSE	P-8-400	"DUAL ELEM 35A,250V"	3	3
	FUSE	P-8-401	"DUAL ELEM 50A,250V"	3	3
	FUSE	P-8-418	"DUAL ELEM 30A,250V"	3	3
	FUSE	P-8-419	"DUAL ELEM 40A,250V"	3	3
	FUSE	P-8-5813	"DUAL ELEM 25A,600V"	3	3
	FUSE	P-8-6936	"DUAL ELEM 45A,250V"	3	3
	FUSE	P-8-7300	"DUAL ELEM 25A,250V"	3	3
	FUSE 15A	P-8-1879	"DUAL ELEM 15A,600V"	3	3
K1	CONTACTOR	P-8-7716	"COMP-3PST,24V (208/280V 3 PH) "	1	1
K1	CONTACTOR	P-8-7736	"COMP-3PST,24V (380,460,575V 3 PH)"	1	1
K3	CONTACTOR	68J3701	"BLR-2PDT,24V"	1	1
N	BLOCK-TERMINAL	80K6501	(INTL)	1	1
S42	RELAY	99K3101	BLR MTR OVLD(380-420V)	1	1
S47	SWITCH	31L1101	DIRTY FILTER(OPT)	1	1
T1	TRANSFORMER	51M4401	"208/240V & 380/420V PRI, 24V SEC,70VA"	1	1
T1	TRANSFORMER	51M4501	"480V PRI,24V SEC,70VA"	1	1
T1	TRANSFORMER	51M4601	"600V PRI,24V SEC,70VA"	1	1
TB1	STRIP-TERMINAL	100669-01	STRIP, TERMINAL	1	1
TB2	BLOCK-TERMINAL	72F8801	BLOCK, TERMINAL	1	1
Category: BLOWER PARTS					
51	MOTOR-BLOWER	103203-01	"1HP,1750RPM, 208-230V/3PH		1
51	MOTOR-BLOWER	103203-02	"1HP,1750RPM, 460V/3PH		1

KCA072S4				DASH/Revision # with Qty	
Key	Part Name	Part Number	Description	1	2
51	MOTOR-BLOWER	103203-03	"1HP,1750RPM, 575V/3PH		1
51	MOTOR-BLOWER	23G3901	"1-1/2HP,1725RPM,200-230/460/60/3"	1	
51	MOTOR-BLOWER	23G4001	"2HP,1725RPM,200-230/460/60/3"	1	
51	MOTOR-BLOWER	49A4301	"2HP,1425RPM,230-400/50/3(INTL)"	1	1
51	MOTOR-BLOWER	P-8-5673	"1-1/2HP,1725RPM,575/60/3"	1	
51	MOTOR-BLOWER	P-8-5685	"2HP,1725RPM,575/60/3"	1	1
52	PULLEY-BLOWER	100244-17	"1" BORE,4.45 O.D.(DRV 8)"	1	1
52	PULLEY-BLOWER	100244-18	"1" BORE,4.75 O.D.(DRV 4)"	1	1
	HARNESS-WIRING	LB-110569A	BLR MTR-(3 PH)	1	1
	HARNESS-WIRING	LB-110569B	BLR MTR-(INTL)	1	1
	HARNESS-WIRING	LB-110569D	BLR MTR (DIRECT DRIVE)	1	1
	HARNESS-WIRING	LB-111905A	"BLR MTR-K3,S42(INTL)"	1	1
	MOUNT-BLR MTR	LB-110194	MOUNT, MOTOR	1	1
53	BELT	100245-17	A40(DRV 8)	1	1
53	BELT	100245-18	A41(DRV 4)	1	1
54	BRACKET	100817-01	BEARING	2	2
55	HOUSING-BLOWER	LB-112080A	ASSY-BLOWER HOUSING	1	1
55	HOUSING-BLOWER	LB-112080B	PAINTED	1	1
56	WHEEL-BLOWER	LB-29333BDA	"1" BORE,10" X 10"	1	1
57	SHAFT-BLOWER	31K7401	"1" DIA,18" LONG"	1	1
	KEY	LB-21259D	BLR PULLEY	1	1
58	BEARING RUBRB-116 SK2430 LX5	100639-02	"1" BORE"	2	2
59	PULLEY-MOTOR	79J0301	"7/8" BORE,3.75 O.D.(DRV 4)"	1	1
59	PULLEY-MOTOR	P-8-1488	"7/8" BORE,4.15 O.D.(DRV 8)"	1	1

Category:ECONOMIZER SECTION

1	101613-02 GED Assy	101613-02	GED Assy	1	
---	--------------------	-----------	----------	---	--

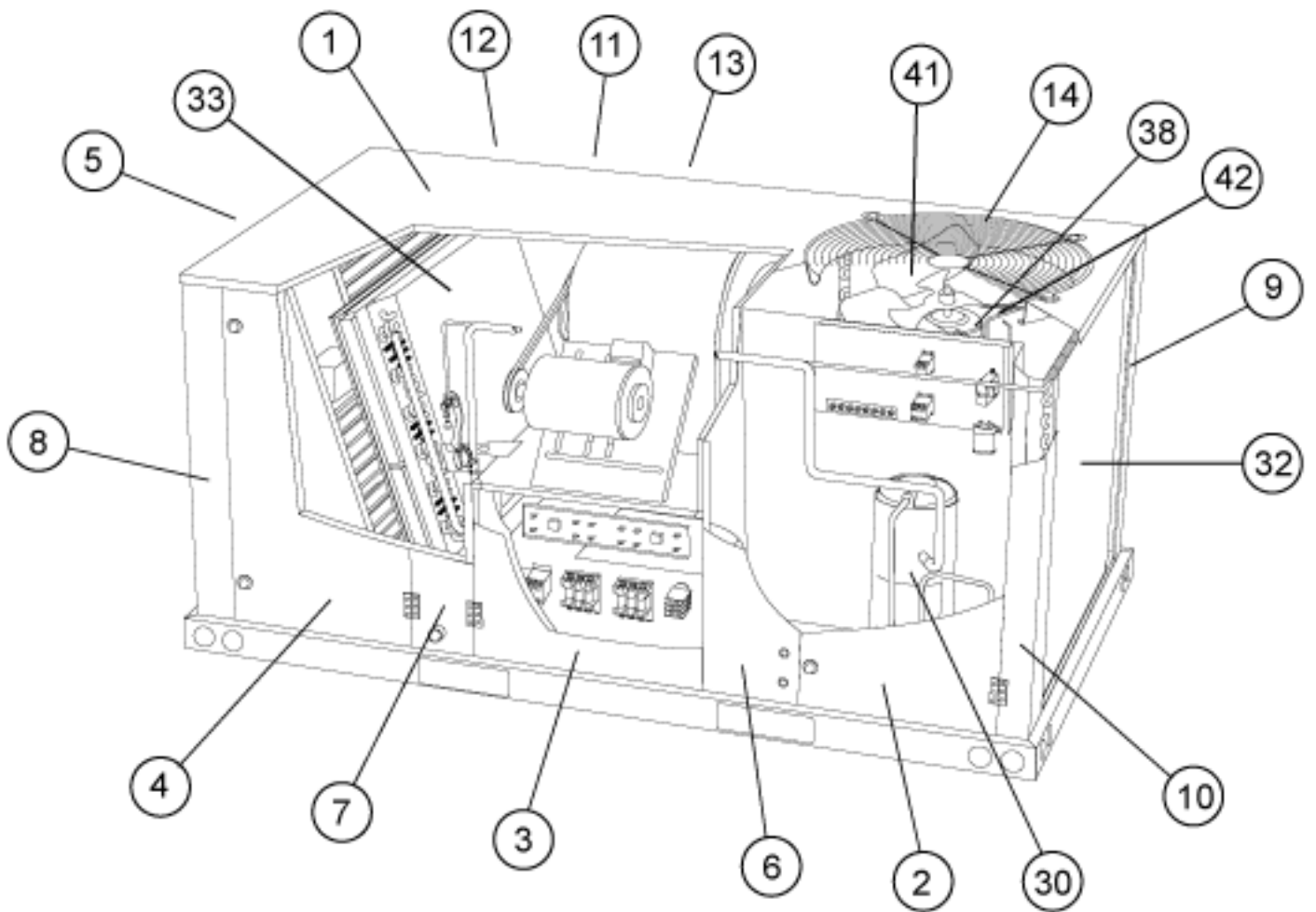
KCA072S4				DASH/Revision # with Qty	
Key	Part Name	Part Number	Description	1	2
1	FILTER, AIR 33-7/1 6 X 21-1/4 X 7/8 METAL	102500-02	FILTER, AIR 33-7/16 X 21-1/4 X 7/8 METAL		1
1	FILTER-FRESH AIR M IST ELIMINATOR	101789-02	FILTER-FRESH AIR MIST ELIMINAT OR	1	
1	GED PKG ASSY TALL CAB	605993-02	GED PKG ASSY TALL CAB W/72W90		1
	EXHAUST AIR HOOD P KG ASSY TALL CAB	605995-02	EXHAUST AIR HOOD PKG ASSY W/72 W94		1
	FRESH AIR HOOD PKG ASSY TALL CAB	605994-02	FRESH AIR HOOD PKG ASSY W/72W9 2		1
	HOOD	100855-01	OUTDOOR AIR ASSY	1	
A6	CONTROLLER	60M1001	ECON-ENTHALPY	1	1
A7	SENSOR	54G4401	ENTHALPY-OUT-DOOR	1	1
B7	MOTOR-DAMPER HONEY WELL	60M1101	24V (MODULATING)	1	1
B7	MOTOR-DAMPER HONEY WELL	78G6701	24V-OAD (3 POSITION)		1
B7	MOTOR-DAMPER SIEME NS	102691-02	24V-OAD 3 POSITION(SIEMENS)	1	1
B7	MOTOR-DAMPER SIEME NS	102691-03	24V-MODULATING(SIEMENS)	1	1
R1	SENSOR	79J0901	MIXED AIR	1	1
S175	SENSOR SINGLE SENS IBLE CONTROL	102527-01	SENSOR SINGLE SENSIBLE CONTROL	1	1
Category:EXHAUST AIR DAMPER SECTION					
	BLOCK-FUSE	10G5901	2 POLE	1	
	CAPACITOR	39H6101	CAPACITOR, RUN 10 @370V: USE 5 3H1201PR		1
	CAPACITOR	39H6201	CAPACITOR 12.5 MFD @ 370V OVAL	1	
	FAN	101610-01	"1/2""BORE,20""DIA,5 BLADE"	1	
	FAN	57A6601	BLADE, FAN ASSY 20" 5 BLADES		1
	FUSE	10G6001	"9AMP,600V"	1	
	MOTOR-FAN	101611-01	"3/4 HP,1050 RPM,208-230/60/1"	1	
	MOTOR-FAN	101611-02	"3/4 HP,1050 RPM,460/60/1"	1	
	MOTOR-FAN	101611-03	"3/4 HP,1050 RPM,575/60/1"	1	
	MOTOR-FAN	79J8101	MOTOR, 1/3 HP 230V		1

KCA072S4				DASH/Revision # with Qty	
Key	Part Name	Part Number	Description	1	2
	MOTOR-FAN	79J8201	MOTOR, 1/3 HP 460V		1
	MOTOR-FAN	79J8301	MOTOR, 1/3 HP 575V		1
	MOUNT-MOTOR	101612-01	MOTOR MOUNT	1	
	MOUNT-MOTOR	63K6701	MOUNT, MOTOR		1
	RELAY	67K6501	RELAY	1	1
Category:*OPTIONAL PARTS-FACTORY+ FIELD INSTALLED					
KIT 2	LOW AMBIENT KIT	LB-107318AJ	INCL NEXT 3 PARTS	1	1
	HARNESS-WIRING	LB-112429B	HARNESS, LOW AMBIENT TC, TG, - G, J, M	1	1
	RELAY	56L6801	"SPDT,24V"	1	1
	SWITCH-LO AMBIENT	38M7801	"OPEN 240,CLOSE 450"	1	1
KIT 3	C1SNSR44AP1 SMOKE DETECTOR	603408-01	SUPPLY & RETURN (INCLUDES NEXT 8 PARTS)	1	1
	BRACE - SMOKE DETE CTOR (9 pcs blk)	602841-01	SENSOR BRACE	1	1
	BRACKET -SUB.ASSY. SMOKEDETECTOR(8pcblk)	602840-01	SENSOR BRACKET	1	1
	BRACKET, SD POWER BOARD	606620-01	BRACKET, SD POWER BOARD	1	1
	HARNESS - JUMPER S MOKE DETECTOR SUPPLY	604374-01	HARNESS - JUMPER SMOKE DETECTO R SUPPLY	1	1
	SMOKE DETECTOR D4P 120 POWER BOARD	102326-01	POWER BOARD	1	1
	SMOKE DETECTOR D4S SENSOR COMPONENT	102325-01	SMOKE DETECTOR D4S SENSOR COMP ONENT	1	1
	SMOKE DETECTOR PHO TOELECTRIC	103447-01	SMOKE DETECTOR SENSOR HEAD	1	1
	TUBE-AIR DUCT SAMP LING 24 IN	102371-02	TUBE-AIR DUCT SAMPLING 24 IN	1	1

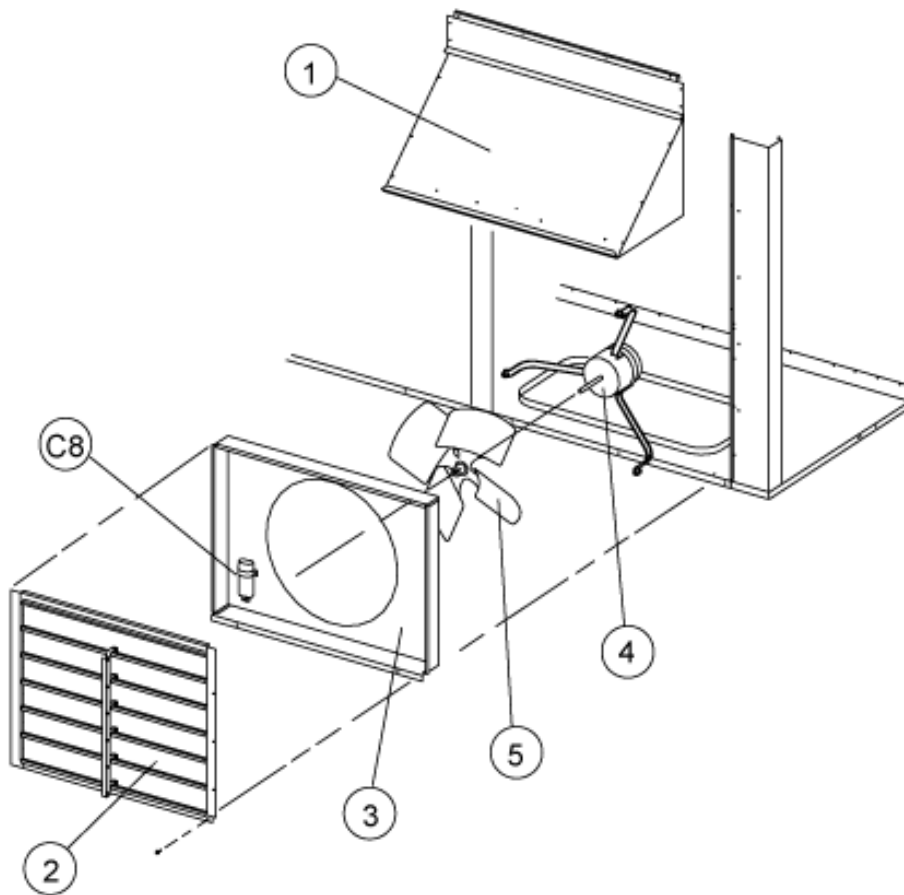
NOTE

COMBINATION-PACKAGED

KCA 090S SERIES

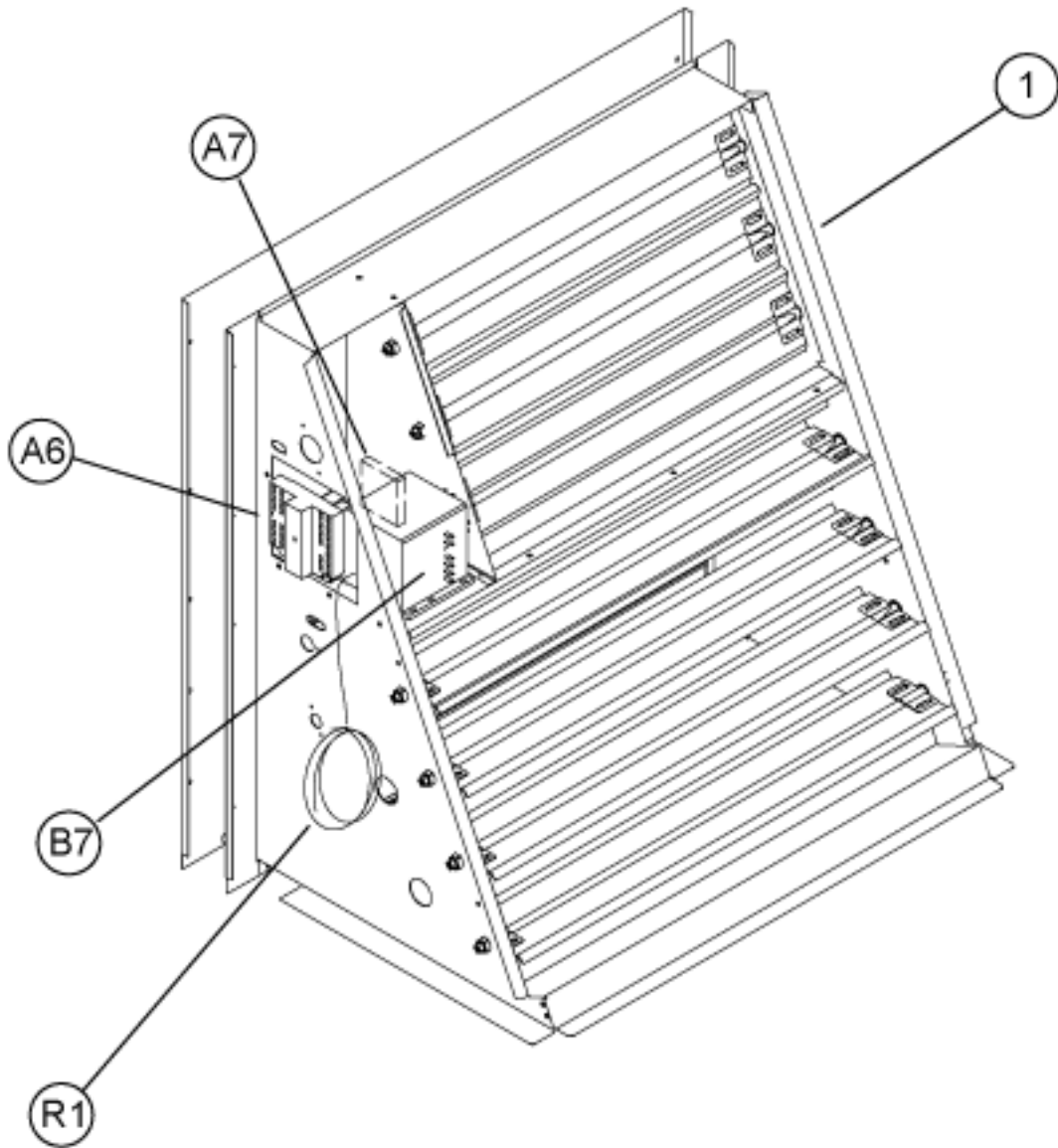


**KCA 090 SERIES
POWER EXHAUST**



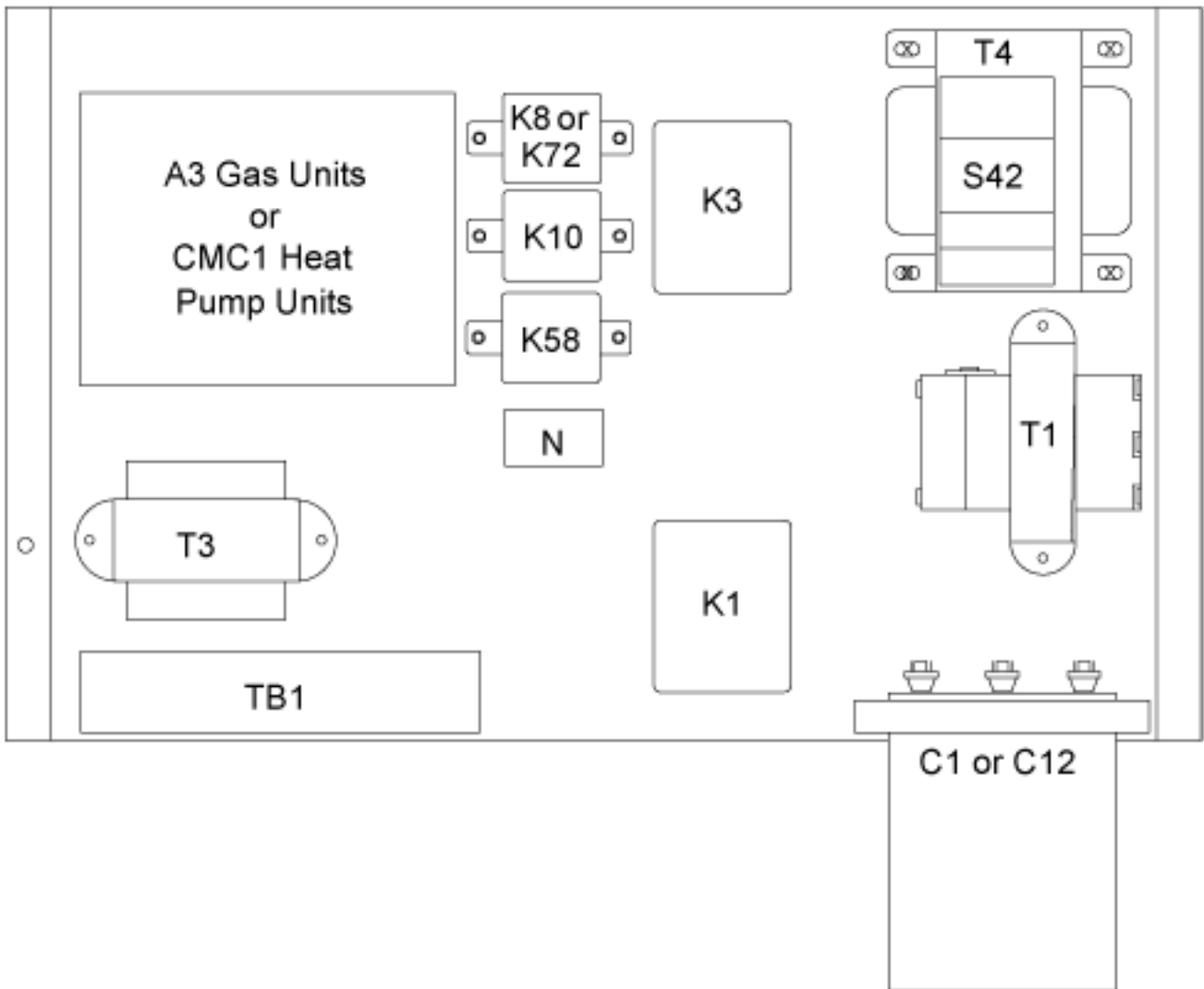
COMBINATION-PACKAGED

KCA 090S SERIES DAMPER ASSEMBLY



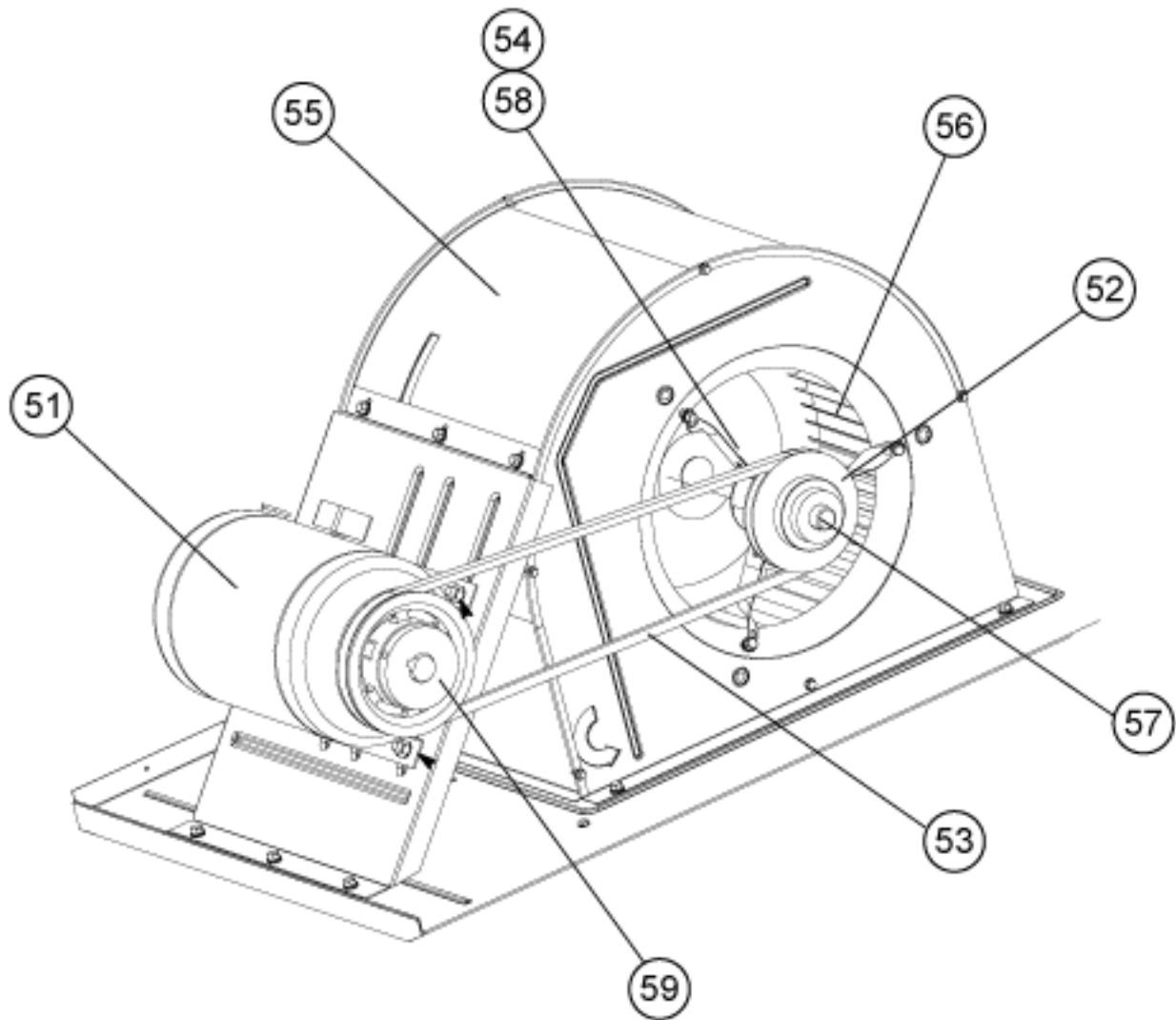
COMBINATION-PACKAGED

KCA 090S SERIES CONTROL PANEL



COMBINATION-PACKAGED

KCA 90S SERIES BELT DRIVE BLOWER



KCA090S4				DASH/Revision # with Qty	
Key	Part Name	Part Number	Description	1	2
Category:CABINET PARTS					
1	ASSY-REPAIR PART P ANEL TOP	LB-112051B	ASSY-REPAIR PART PANEL TOP	1	1
10	MULLION	LB-110580	"COND CORNER,FRONT(HNGD)"	1	1
10	MULLION	LB-110581	"COND CORNER,FRONT(NON-HNGD)"	1	1
11	PANEL	LB-112053B	RETURN/SUPPLY-REAR	1	1
12	COVER-DUCT	LB-112052A	RETURN	1	1
13	COVER-DUCT	LB-112052B	SUPPLY	1	1
14	GRILLE-DISCHARGE	63K6001	GRILLE-DISCHARGE	1	1
	COPPER DRAIN TRAP KIT	LB-107882E	COPPER DRAIN TRAP KIT(AFTER 0 1/06/11)	1	1
	FILTER-AIR	100509-01	"20"" X 20"" X 2"""	4	4
	GUARD-HAIL A+ BOX	102524-01	GUARD-HAIL A+ BOX	1	1
	GUARD-OUTDOOR COIL A+ BOX	102525-01	GUARD-OUTDOOR COIL A+ BOX	1	1
	HINGE	100595-01	ACCESS DOORS (2 PER DOOR)	6	6
	KIT-HANDLE	LB-95291B	"INC HANDLE,CAM,WASHER,SPRING"	1	1
	PVC DRAIN TRAP KIT	LB-107882D	PVC DRAIN TRAP KIT(AFTER 01/06 /11)	1	1
	TRAP-CONDENSATE	LB-65843A	PVC BEFORE 01/06/11	1	1
	TRAP-CONDENSATE	LB-69287B	COPPER BEFORE 01/06/11	1	1
2	COMP. ACCESS PANEL - KG,KC-090 KH072S	LB-112057J	"COMP ACCESS, (HNGD)"	1	1
2	COMP. ACCESS PANEL - KG,KC-090 KH-072S	LB-112057K	"COMP ACCESS, (NON-HNGD)"	1	1
3	PANEL	LB-112055D	"HEAT ACCESS, (HNGD)"	1	1
3	PANEL	LB-112055H	"HEAT ACCESS, (NON-HNGD)"	1	1
4	PANEL	LB-112056B	"FILTER ACCESS, (HNGD)"	1	1
4	PANEL	LB-112056D	"FILTER ACCESS, (NON-HNGD)"	1	1
5	PANEL	LB-112054B	ACCESSORY ACCESS	1	1
7	ASSY-REPAIR PART D RAIN PAN MULLION	606631-02	DRAIN, (HNGD) AFTER 01/06/11	1	1

KCA090S4				DASH/Revision # with Qty	
Key	Part Name	Part Number	Description	1	2
7	ASSY-REPAIR PART DRAIN PAN MULLION	606631-04	DRAIN, (NON-HNGD) (AFTER 01/06/11)	1	1
7	MULLION	LB-112059B	(MULLION DRAIN)(BEFORE 01/06/11)	1	1
7	MULLION	LB-112059D	MULLION DRAIN(BEFORE 01/06/11)	1	1
8	MULLION	LB-112078B	"FILTER/ECONO-FRONT, (HNGD)"	1	1
8	MULLION	LB-112078D	"FILTER/ECONO-FRONT, (NON-HNGD)"	1	1
9	MULLION	LB-109525	"COND CORNER,REAR"(BEFORE 08/29/11)	1	1
	MULLION - COND CORNER	608262-01	"COND CORNER,REAR"(AFTER 08/29/11)	1	1
Category:COOLING PARTS					
30	COMPRESSOR	79M9001	"7.5TON,208-230/60/3,COPE"	1	1
30	COMPRESSOR	79M9101	"7.5TON,460/60/3,320-480/50/3COPE"	1	1
30	COMPRESSOR	79M9201	"7.5TON,575/60/3,COPE"	1	1
			RELAY-OVERLOADCOMP-INTERNAL	1	1
	HEATER-CRANKCASE	100499-07	600V	1	1
	HEATER-CRANKCASE	100499-08	480V	1	1
	HEATER-CRANKCASE	100499-10	240V	1	1
	MOUNT PKG-COMP	74J3001PR	MOUNT PKG-COMP	1	1
32	609245-04 COIL ASSY COND	99W69	609245-04 COIL ASSY COND (ENVIRON)	1	1
32	ASSY - CRATE COIL OUTDOOR	604444-01	W/MANIFOLD	1	1
33	600115-14 COIL ASSY EVAP	99W70	600115-14 COIL ASSY EVAP (FIXED ORFICE)	1	1
33	ASSY - CRATE COIL INDOOR	600115-09	W/MANIFOLD	1	1
	103785-02 DISTRIBUTOR ASSY	99W97	103785-02 DISTRIBUTOR(ORFICE ASSY)	1	1
	CAP-SEAL	P-8-3187	CAP, BRASS	5	5
	DISTRIBUTOR ASSY	LB-111917C	I.D.	1	1
	DRIER	38M7201	DRIER, R410A	1	1
	FITTING PRESS TAP	86G6401	FITTING, PRESSURE TAP	5	5

KCA090S4				DASH/Revision # with Qty	
Key	Part Name	Part Number	Description	1	2
	HARNESS-WIRING	LB-99231B	COMP (380-400, 460, 575V 3 PH)	1	1
	HARNESS-WIRING	LB-99231J	COMP (208-230V 3 PH)	1	1
	PAN - PLASTIC DRAIN	101996-04	PAN - PLASTIC DRAIN(AFTER 01/06/11)	1	1
	PAN-DRAIN	100431-01	PAN, DRAIN(BEFORE 01/06/11)	1	1
	SWITCH-HIGH PRESSURE MANUAL RESET	102448-01	CUT OUT 640PSIG (MANUAL RESET)	1	1
	VALVE CORE	P-8-1897	VALVE, CORE 8075910047	5	5
	VALVE-EXPANSION	100679-35	VALVE-EXPANSION BBIZE 8GA (R410A)	1	1
38	MOTOR-FAN	79J8101	"1/3HP,1075RPM,208-230/60/1"	1	1
38	MOTOR-FAN	79J8201	"1/3HP,1075RPM,460/60/1,380-420/50/1"	1	1
38	MOTOR-FAN	79J8301	"1/3HP,1075RPM,575/60/1"	1	1
	SHIELD-RAIN	P-8-6142	SHIELD, MOTOR	1	1
41	FAN	100654-01	"1/2""BORE,24""DIA,3 BLADE"	1	1
42	MOUNT-MOTOR	63K6201	MOUNT-MOTOR BRKT ASSY	1	1
S49	FREEZESTAT	79J1101	EVAP	1	1
Category:ELECTRIC HEATING PARTS					
			FOR REPAIR PARTS REFER TO THE TIEH	1	1
Category:CONTROL PANEL PARTS					
C1	CAPACITOR	39H6101	"O.D.FAN,10MFD,370VAC"	1	1
C1	CAPACITOR	39H6301	O.D. FAN,15 MFD @ 370VAC (INTL)	1	1
	COVER	15M3801	DISC (BEFORE 11/18/05 PROD)	1	1
	COVER	29K2401	DISC (AFTER 11/18/05 PROD)	1	1
	GFI	79J9801	RECEPTACLE(115V)	1	1
	HARNESS-WIRING	LB-110358A	CONTROL	1	1
	SWITCH-DISCONNECT	34K9301	150AMP	1	1
	SWITCH-DISCONNECT	93J3101	"600V,80AMP"	1	1

KCA090S4				DASH/Revision # with Qty	
Key	Part Name	Part Number	Description	1	2
F4	BLOCK, FUSE	P-8-4372	25A-30A	1	1
F4	BLOCK,FUSE	P-8-5848	35A-50A	1	1
F4	BLOCK-FUSE	P-8-7158	15A-25A	1	1
	FUSE	P-8-1993	"DUAL ELEM 20A,600V"	3	3
	FUSE	P-8-400	"DUAL ELEM 35A,250V"	3	3
	FUSE	P-8-401	"DUAL ELEM 50A,250V"	3	3
	FUSE	P-8-418	"DUAL ELEM 30A,250V"	3	3
	FUSE	P-8-419	"DUAL ELEM 40A,250V"	3	3
	FUSE	P-8-5813	"DUAL ELEM 25A,600V"	3	3
	FUSE	P-8-6936	"DUAL ELEM 45A,250V"	3	3
	FUSE	P-8-7300	"DUAL ELEM 25A,250V"	3	3
	FUSE 15A	P-8-1879	"DUAL ELEM 15A,600V"	3	3
K1	CONTACTOR	P-8-7716	"COMP-3PST,24V (208/280V 3 PH) "	1	1
K1	CONTACTOR	P-8-7736	"COMP-3PST,24V (380,460,575V 3 PH)"	1	1
K3	CONTACTOR	68J3701	"BLR-2PDT,24V"	1	1
N	BLOCK-TERMINAL	80K6501	(INTL)	1	1
S42	RELAY	99K3101	BLR MTR OVLD(380-420V)	1	1
S47	SWITCH	31L1101	DIRTY FILTER(OPT)	1	1
S52	SWITCH-PRESSURE (B LOWER PROVING)	102324-02	SWITCH-PRESSURE (BLOWER PROVING)	1	1
	FITTING TOTAL PRES S SENSING BARB 90 SNAP	102392-01	FITTING TOTAL PRESS SENSING BARB 90 SNAP	1	1
T1	TRANSFORMER	51M4401	"208/240V & 380/420V PRI, 24V SEC,70VA"	1	1
T1	TRANSFORMER	51M4501	"480V PRI,24V SEC,70VA"	1	1
T1	TRANSFORMER	51M4601	"600V PRI,24V SEC,70VA"	1	1
TB1	STRIP-TERMINAL	100669-01	STRIP, TERMINAL	1	1
TB2	BLOCK-TERMINAL	72F8801	BLOCK, TERMINAL	1	1

KCA090S4				DASH/Revision # with Qty	
Key	Part Name	Part Number	Description	1	2
Category: BLOWER PARTS					
51	MOTOR-BLOWER	101501-01	"3HP,1725RPM,208-230/60/3"	1	1
51	MOTOR-BLOWER	101501-02	"3HP,1725RPM,460/60/3"	1	1
51	MOTOR-BLOWER	23G4001	"2HP,1725RPM,200-230/460/60/3"	1	1
51	MOTOR-BLOWER	43G3201	"3HP,1725RPM,575/60/3"	1	1
51	MOTOR-BLOWER	49A4301	"2HP,1425RPM,380-420/50/3(INTL)"	1	1
51	MOTOR-BLOWER	49A4401	"3HP,1425RPM,380-420/50/3(INTL)"	1	1
51	MOTOR-BLOWER	P-8-5685	"2HP,1725RPM,575/60/3"	1	1
51	MOTOR-BLOWER 1HP 2 08/230V 1750RPM HI EFF	102299-04	MOTOR-BLOWER 1HP 208/230V 1750 RPM HI EFF	1	1
51	MOTOR-BLOWER 1HP 4 60V 1750RPM HI EFF	102299-05	MOTOR-BLOWER 1HP 460V 1750RPM HI EFF	1	1
51	MOTOR-BLOWER 1HP 5 75V 1750RPM HI EFF	102299-06	MOTOR-BLOWER 1HP 575V 1750RPM HI EFF	1	1
52	PULLEY-BLOWER	100788-03	"1"BORE,7.75 O.D.(DRV AA02)"	1	1
52	PULLEY-BLOWER	31K6801	"1"BORE,5.75 O.D.(DRV AA03,AA 04,AA05T)"	1	1
52	PULLEY-BLOWER	37L4701	"1"BORE,6.75 O.D.(DRV AA01)"	1	1
	BUSHING	100073-04	BUSHING, SPLIT TAPERED, (USE W ITH 47W85)	1	1
	HARNESS-WIRING	LB-110569A	BLR MTR-(3 PH)	1	1
	HARNESS-WIRING	LB-110569B	BLR MTR-(INTL)	1	1
	HARNESS-WIRING	LB-110569D	BLR MTR (DIRECT DRIVE)	1	1
	HARNESS-WIRING	LB-111905A	"BLR MTR-K3,S42(INTL)"	1	1
	MOUNT-BLR MTR	LB-110194	MOUNT, MOTOR	1	1
53	BELT	13H0101	"AX51(DRV AA01,AA04)"	1	1
53	BELT, A50	100245-29	A50 (AA03)	1	1
53	BELT, A52	100245-30	AX52 (DRV AA05T)	1	1
53	BELT, A53	100245-40	A53 (AA02)	1	1
54	BRACKET	100817-01	BEARING	2	2

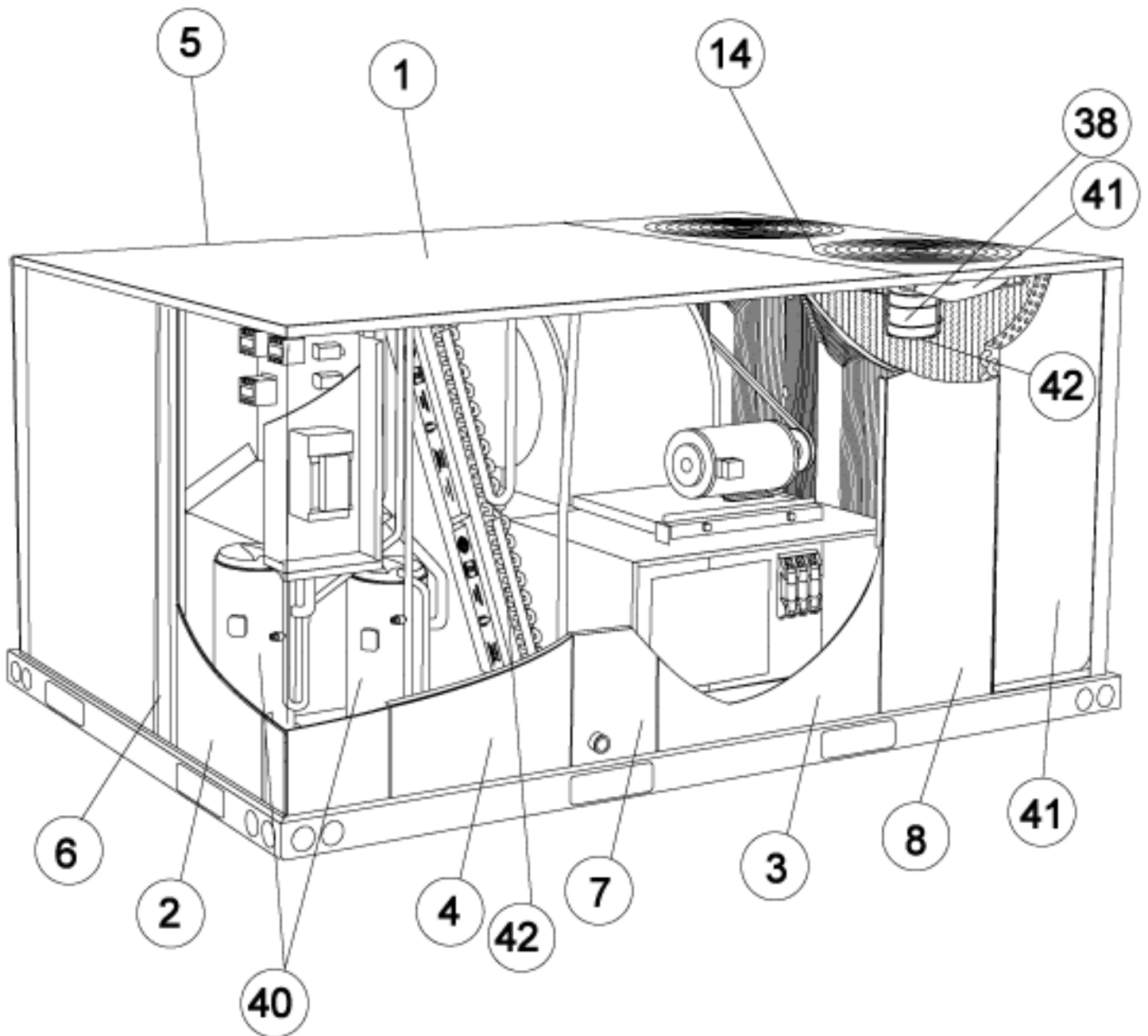
KCA090S4				DASH/Revision # with Qty	
Key	Part Name	Part Number	Description	1	2
55	HOUSING-BLOWER 15 X 9	102423-01	HOUSING-BLOWER 15 X 9	1	1
55	HOUSING-BLOWER 15X 9 PAINTED	102423-02	PAINTED	1	1
	TENSIONER ASSY (TENSIONER & BRACKET)	604235-04	TENSIONER ASSY LC/LGH072, KC/KG090 M VOL	1	1
	TENSIONER BRKT ASSY	604235-07	TENSIONER BRKT ASSY LC/LGH072/KC/KGA090M	1	1
56	WHEEL-BLOWER	LB-29333BDK	"1" BORE,10" X 10"	1	1
57	SHAFT-BLOWER	31K7401	"1" DIA,18" LONG	1	1
	KEY	LB-21259D	BLR PULLEY	1	1
58	BEARING RUBRB-116 SK2430 LX5	100639-02	"1" BORE"	2	2
59	PULLEY-MOTOR	31K6901	"7/8" BORE,3.15 O.D.(DRV AA01)"	1	1
59	PULLEY-MOTOR	79J0301	"7/8" BORE,3.75 O.D.(DRV AA02, AA03)"	1	1
59	PULLEY-MOTOR	P-8-1488	"7/8" BORE,4.15 O.D.(DRV AA04)"	1	1
59	PULLEY-MOTOR	P-8-1977	"7/8" BORE,4.75 O.D.(DRV AA05T)"	1	1
Category:ECONOMIZER SECTION					
1	101613-02 GED Assy	101613-02	GED Assy	1	
1	FILTER, AIR 33-7/16 X 21-1/4 X 7/8 METAL	102500-02	FILTER, AIR 33-7/16 X 21-1/4 X 7/8 METAL		1
1	FILTER-FRESH AIR MIST ELIMINATOR	101789-02	FILTER-FRESH AIR MIST ELIMINATOR	1	
1	GED PKG ASSY TALL CAB	605993-02	GED PKG ASSY TALL CAB w/72w90		1
	EXHAUST AIR HOOD PKG ASSY TALL CAB	605995-02	EXHAUST AIR HOOD PKG ASSY W/72W94		1
	FRESH AIR HOOD PKG ASSY TALL CAB	605994-02	FRESH AIR HOOD PKG ASSY W/72W92		1
	HOOD	100855-01	OUTDOOR AIR ASSY	1	
A6	CONTROLLER	60M1001	ECON-ENTHALPY	1	1
A7	SENSOR	54G4401	ENTHALPY-OUT-DOOR	1	1
B7	MOTOR-DAMPER HONEYWELL	60M1101	24V (MODULATING)	1	
B7	MOTOR-DAMPER SIEMENS	102691-03	24V-MODULATING(SIEMENS)	1	1
B7	MOTOR-DAMPER HONEYWELL	78G6701	24V-OAD (3 POSITION)	1	1

KCA090S4				DASH/Revision # with Qty	
Key	Part Name	Part Number	Description	1	2
B7	MOTOR-DAMPER SIEMENS	102691-02	24V-OAD 3 POSITION(SIEMENS)	1	1
R1	SENSOR	79J0901	MIXED AIR	1	1
S175	SENSOR SINGLE SENSIBLE CONTROL	102527-01	SENSOR SINGLE SENSIBLE CONTROL	1	1
Category:EXHAUST AIR DAMPER SECTION					
5	FAN	101610-01	"1/2"BORE,20"DIA,5 BLADE"	1	
5	FAN	57A6601	BLADE, FAN ASSY 20" 5 BLADES		1
4	MOTOR-FAN	79J8101	MOTOR, 1/3 HP 230V		1
4	MOTOR-FAN	79J8201	MOTOR, 1/3 HP 460V		1
4	MOTOR-FAN	79J8301	MOTOR, 1/3 HP 575V		1
	BLOCK-FUSE	10G5901	2 POLE	1	
	FUSE	10G6001	"9AMP,600V"	1	
	MOUNT-MOTOR	101612-01	MOTOR MOUNT	1	
	MOUNT-MOTOR	63K6701	MOUNT, MOTOR		1
	RELAY	67K6501	RELAY	1	1
4	MOTOR-FAN	101611-01	"3/4 HP,1050 RPM,208-230/60/1"	1	
4	MOTOR-FAN	101611-02	"3/4 HP,1050 RPM,460/60/1"	1	
4	MOTOR-FAN	101611-03	"3/4 HP,1050 RPM,575/60/1"	1	
C8	CAPACITOR	39H6101	CAPACITOR, RUN 10 @370V: USE 53H1201PR		1
C8	CAPACITOR	39H6201	CAPACITOR 12.5 MFD @ 370V OVAL	1	
Category:*OPTIONAL PARTS-FACTORY+ FIELD INSTALLED					
KIT 1	C1SNSR44AP1 SMOKE DETECTOR	603408-01	SUPPLY & RETURN (INCLUDES NEXT 8 PARTS)	1	1
	BRACE - SMOKE DETECTOR (9 pcs blk)	602841-01	SENSOR BRACE	1	1
	BRACKET -SUB.ASSY. SMOKEDETECTOR(8pcblk)	602840-01	SENSOR BRACKET	1	1
	BRACKET, SD POWER BOARD	606620-01	BRACKET, SD POWER BOARD	1	1
	HARNESS - JUMPER SMOKE DETECTOR SUPPLY	604374-01	HARNESS - JUMPER SMOKE DETECTOR SUPPLY	1	1

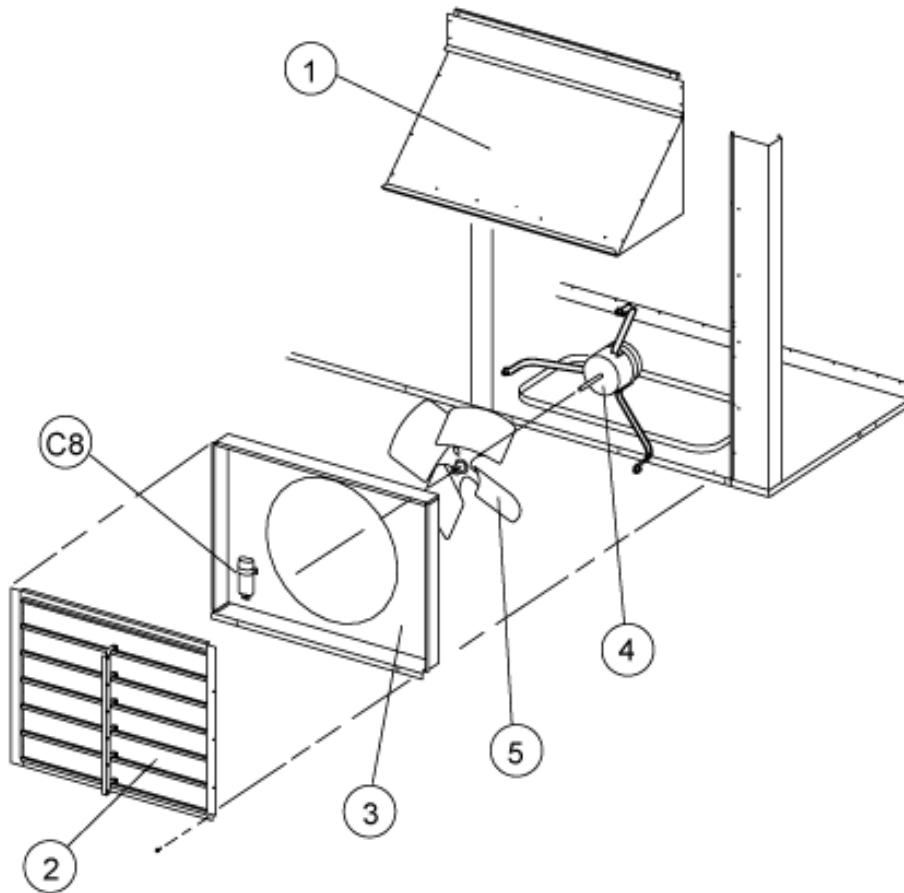
KCA090S4				DASH/Revision # with Qty	
Key	Part Name	Part Number	Description	1	2
	SMOKE DETECTOR D4P 120 POWER BOARD	102326-01	SMOKE DETECTOR D4P120 POWER BO ARD	1	1
	SMOKE DETECTOR D4S SENSOR COMPONENT	102325-01	SMOKE DETECTOR SENSOR	1	1
	SMOKE DETECTOR PHO TOELECTRIC	103447-01	SMOKE DETECTOR SENSOR HEAD	1	1
	TUBE-AIR DUCT SAMP LING 18 IN	102371-01	TUBE-AIR DUCT SAMPLING 18 IN	1	1
	TUBE-AIR DUCT SAMP LING 36 IN	102371-03	TUBE-AIR DUCT SAMPLING 36 IN	1	1
KIT 2	LOW AMBIENT KIT	LB-107318AJ	INCL NEXT 3 PARTS	1	1
	HARNESS-WIRING	LB-112429B	HARNESS, LOW AMBIENT TC, TG, - G, J, M	1	1
	RELAY	56L6801	"SPDT,24V"	1	1
	SWITCH-LO AMBIENT	38M7801	"OPEN 240,CLOSE 450"	1	1

NOTE

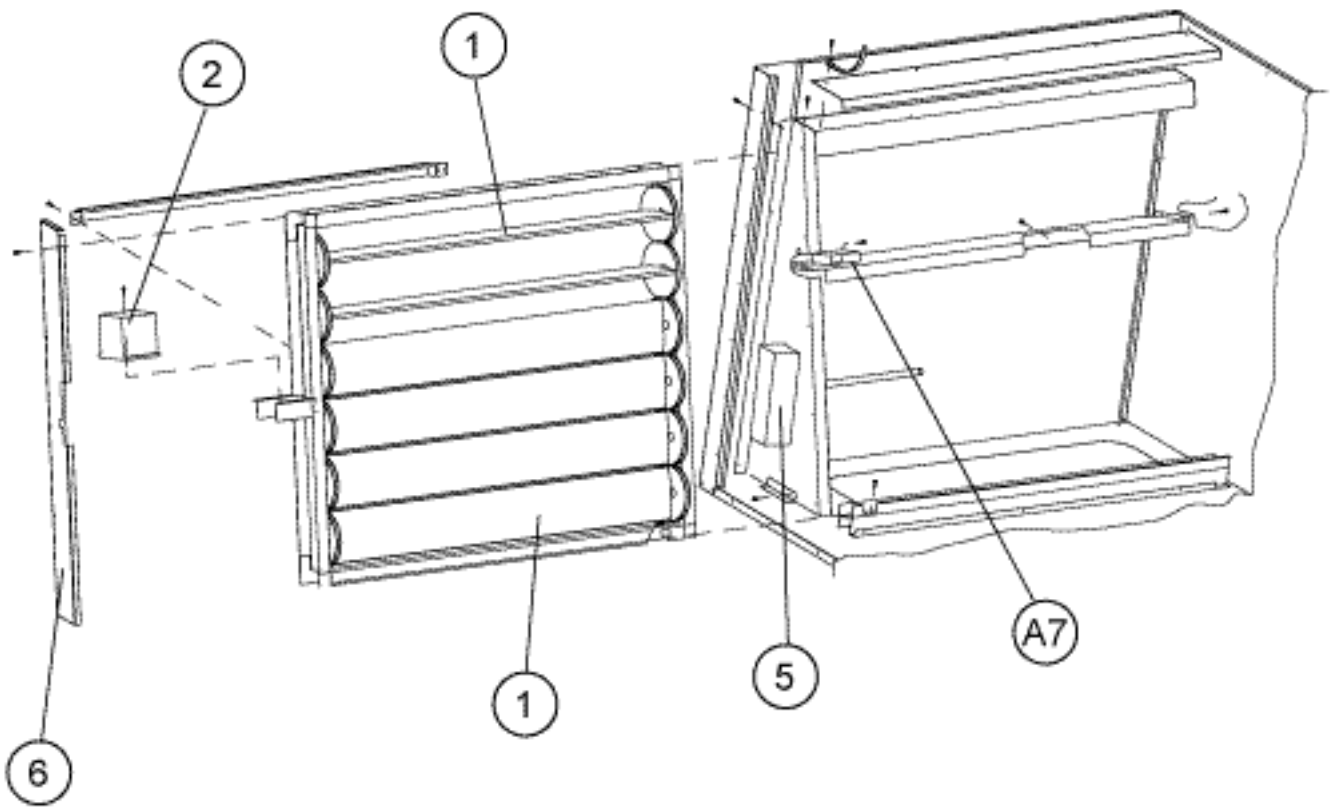
KCA 092-150 SERIES



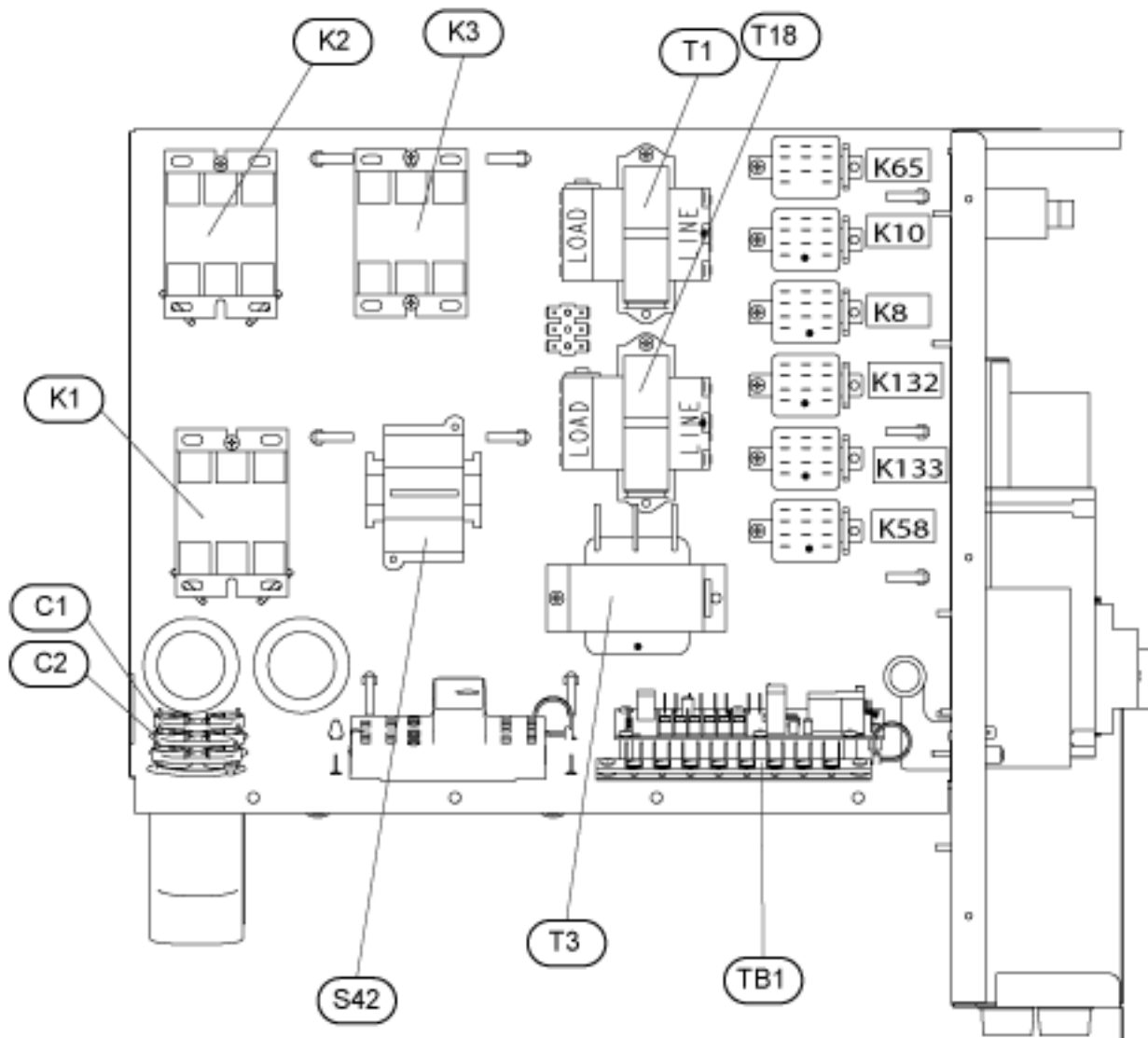
**KCA 092-150 SERIES
POWER EXHAUST**



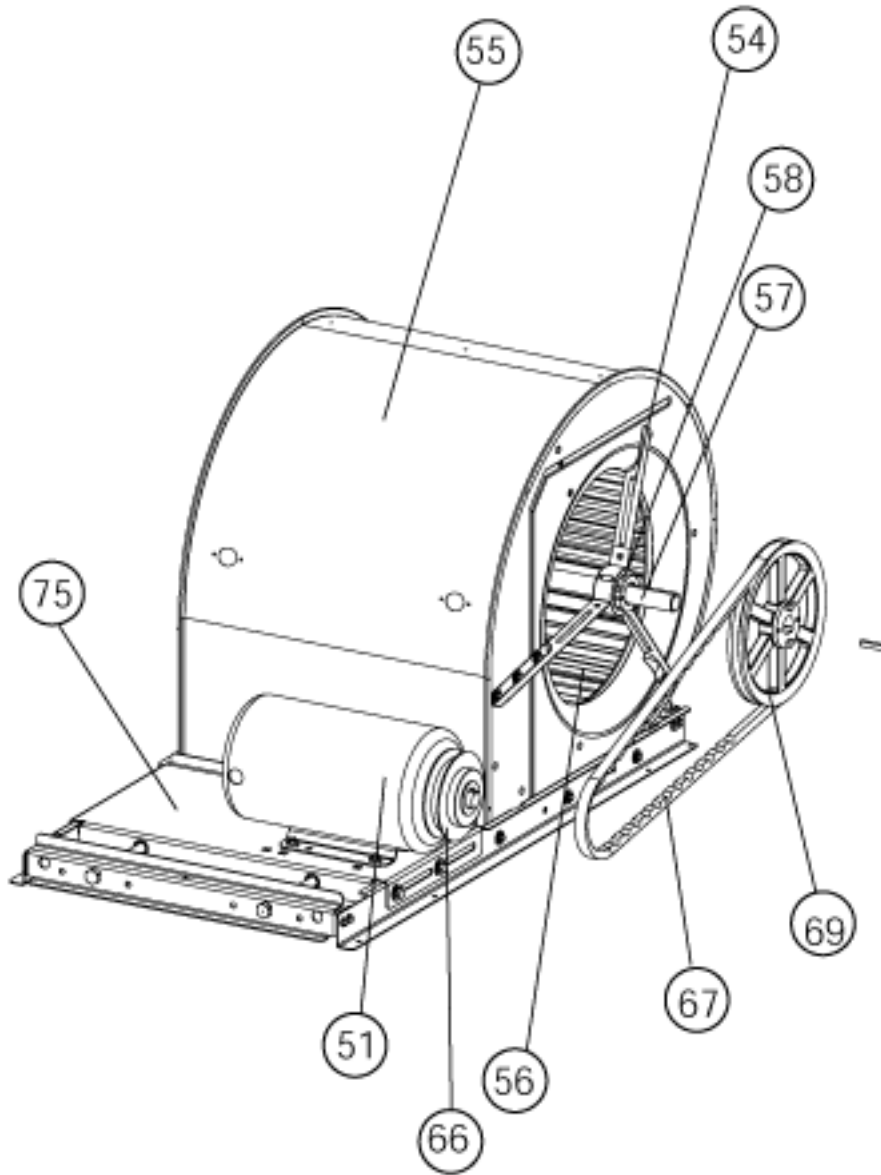
**KCA 092 -150 SERIES
DAMPER ASSEMBLY**



KCA 092-150 SERIES CONTROL BOX



**KCA 092-150SERIES
BLOWER SECTION**



KCA092S4				DASH/Revision # with Qty	
Key	Part Name	Part Number	Description	1	2
Category:CABINET PARTS					
1	REPAIR PART TOP PANEL B BOX	600263-01	EVAP & COND ASSY (BEFORE 08/05/11)	1	
1	REPAIR PART TOP PANEL B-BOX	600263-04	EVAP & COND ASSY (AFTER 08/05/11)	1	1
14	RING-ORIFICE	LB-100110B	1 PC ASSY	1	1
	GRILLE-DISCHARGE	21J3101	GRILLE, FAN GUARD	2	2
2	ACCESS PANEL NON HINGE OPTIONS	600436-01	COMP ACCESS (NON-HNGD)	1	1
2	PANEL-CONTROL ACCESS HINGED	603133-01	COMP ACCESS (HNGD)	1	1
3	ACCESS PANEL NON HINGE OPTIONS	600436-03	"BLR/HEAT ACCESS, (NON-HNGD)"	1	1
3	REPAIR PARTS ACCESS PANEL HINGE OPTIONS	603133-03	"BLR/HEAT ACCESS, (HNGD)"	1	1
4	ACCESS PANEL NON HINGE OPTIONS	600436-02	"FILTER ACCESS, (NON-HNGD)"	1	1
4	PANEL-FILTER ACCESS	603133-02	"FILTER ACCESS, (HNGD)"	1	1
5	Panel-Rear w/oSA/RA Cover	600426-02	REAR-W/O COVER (SA/RA)	1	1
5	Panel-Rear w/SA/RA Cover	600426-01	REAR-W/COVER (SA/RA)	1	1
	Cover-Rear SA/RA	600426-03	REAR (SA/RA)	1	1
6	MULLION - NON HINGE OPTIONS REPAIR PARTS	600614-01	ACCESSORIES (NON-HNGD)	1	1
6	MULLION-ACCESSORIES HINGE	603126-01	ACCESSORIES (HNGD)	1	1
7	ASSY-REPAIR PART DRAIN PAN MULLION	606631-02	DRAIN PAN MULLION(HINGED)(AFTER 10/10)	1	1
7	ASSY-REPAIR PART DRAIN PAN MULLION	606631-04	DRAIN PAN MULL(NON-HINGED)(AFTER 10/10)	1	1
7	MULLION - NON HINGE OPTIONS REPAIR PARTS	600614-02	DRAIN PAN (NON-HNGD)	1	1
7	MULLION-DRAIN PAN HINGE	603126-02	DRAIN PAN (HNGD)	1	1
8	MULLION - HEAT FRONT	600614-03	HEAT FRONT (NON-HNGD)	1	
8	MULLION - HEAT FRONT	600614-07	HEAT FRONT (NON-HNGD)		1
8	MULLION - HEAT FRONT	603126-03	HEAT FRONT (HNGD)	1	
8	MULLION - HEAT FRONT	603126-07	HEAT FRONT (HNGD)		1
	DRAIN TRAP KIT (COPPER)	LB-107882B	COPPER	1	1

KCA092S4				DASH/Revision # with Qty	
Key	Part Name	Part Number	Description	1	2
	DRAIN TRAP KIT (PVC)	LB-107882A	PVC	1	1
	FILTER, AIR 20X25X2 MERV 4 06020252LM4	100509-04	FILTER AIR, 20X25X2 MERV 4	4	4
	HINGE	100595-01	ACCESS DOORS (2 PER DOOR)	6	6
	KIT-HANDLE	LB-95291B	"INC HANDLE,CAM,WASHER,SPRING"	1	1
	MULLION	LB-109525	MULLION, COND CNR (BEFORE 08/05/11)	1	
	MULLION - COND CORNER	608262-01	MULLION, COND COR (AFTER 08/05/11)	1	1
	PANEL-ACCESSORIES	600426-04	ACC'Y ACCESS PNL NO OAD	1	1
	MULLION / CORNER - DISCONNECT(2pcblk)	602049-01	MULLION / CORNER - DISCONNECT	1	1
Category:COOLING PARTS					
30	COMPRESSOR ZP39K5E -TF5-130	100040-41	"3TON,208-230/60/3,COPE"	2	2
30	COMPRESSOR ZP39K5E -TFD-130	100040-42	"3TON,460/60/3,320-480/50/3COP E"	2	2
30	COMPRESSOR ZP39K5E -TFE-130	100040-43	"3TON,575/60/3,COPE"	2	2
			RELAY-OVERLOADCOMP-INTERNAL	1	1
	HARNESS-WIRING	LB-99231A	COMP- MOLDED PLUG	1	1
	HEATER-CRANKCASE	100499-07	(575V)MOLDED PLUG	1	1
	HEATER-CRANKCASE	100499-08	(480V)MOLDED PLUG	1	1
	HEATER-CRANKCASE	100499-10	(240V)MOLDED PLUG	1	1
	MOUNT PKG-COMP	74J3001PR	MOUNT PKG-COMP	1	1
32	COIL ASSY - OUTDOOR	604788-01	W/MANIFOLD (TUBE & FIN)	1	
32	COIL ASSY - OUTDOOR	604788-12	W/MANIFOLD, ENVIRON (MCHX)		1
33	COIL ASSY - INDOOR	604922-04	W/MANIFOLD (W/TXV)	1	
33	COIL ASSY - INDOOR (RFC)	604922-14	W/MANIFOLD (W/RFC)		1
	ASSY-REPAIR PART RESTRICTOR	103840-01	I.D. (W/RFC)		1
	DISTRIBUTOR-ASSY	610469-01	I.D. (W/RFC)		1
38	MOTOR-FAN	79J8101	"1/3HP,1075RPM,208-230/60/1"	2	2

KCA092S4				DASH/Revision # with Qty	
Key	Part Name	Part Number	Description	1	2
38	MOTOR-FAN	79J8201	"1/3HP,1075RPM,460/60/1,380-420/50/1"	2	2
38	MOTOR-FAN	79J8301	"1/3HP,1075RPM,575/60/1"	2	2
	HARNESS, OD FAN POWER DIST	603466-01	O.D. FAN	1	1
	SHIELD-RAIN	P-8-6142	SHIELD, MOTOR	2	2
41	FAN	100654-01	1/2"BORE,24"DIA,3 BLADE (MCHX)		2
41	FAN	65C6801	1/2"BORE,24"DIA,3 BLADE	2	
42	BRACKET	78L4101	MOUNT, MOTOR	2	2
43	PAN-DRAIN	101996-02	PAN - PLASTIC DRAIN	1	1
	CAP-SEAL	P-8-3187	CAP, BRASS	5	5
	DRIER	38M7201	LIQUID LINE (R410A)	2	2
	FITTING PRESS TAP	86G6401	FITTING, PRESSURE TAP	5	5
	SUPPORT-COIL	LB-101638	O.D.COIL (FRONT)	1	1
	SUPPORT-COIL	LB-101638CP	O.D.COIL (FRONT)	1	1
	SUPPORT-COIL	LB-101639	O.D.COIL (REAR)	1	1
	SUPPORT-COIL	LB-101639CP	O.D.COIL (REAR)	1	1
	SUPPORT-COIL	LB-107393	O.D.COIL (RIGHT)	1	1
	SUPPORT-COIL	LB-107393CP	O.D.COIL (RIGHT)	1	1
	SWITCH-HIGH PRESSURE	102311-01	"CLOSE 475PSIG, OPEN 640PSIG"	2	2
	VALVE CORE	P-8-1897	VALVE, CORE 8075910047	5	5
	VALVE-EXPANSION	100935-01	VALVE, EXPANSION R410A	2	
S11	SWITCH-LOW AMBIENT	102312-01	LO AMB OPEN 240PSIG, CLOSE 450 PSIG	1	1
S4/S7	SWITCH-HI PRESS	103735-01	OPEN 640PSIG,MANUAL RESET		2
S4/S7	SWITCH-HIGH PRESSURE MANUAL RESET	102448-01	OPEN 640PSIG,MANUAL RESET	2	
S48	SWITCH-LOW AMBIENT	102312-02	LO AMB OPEN 240PSIG, CLOSE 450 PSIG	1	1
S49	SWITCH-TEMP FREEZE STAT	102450-01	EVAP	2	2

KCA092S4				DASH/Revision # with Qty	
Key	Part Name	Part Number	Description	1	2
Category:ELECTRIC HEATING PARTS					
			FOR REPAIR PARTS REFER TO THE C1EH	1	1
Category:CONTROL PANEL PARTS					
A183	KIT LVC2 REPAIR PA RT	103557-01	ASSY-P.C.BOARD LVC2 LANDMARK V FD CNT	1	1
A42	ASSY-P.C.BOARD PHA SE LOSS AND REVERSAL P	103316-01	ASSY-P.C.BOARD PHASE LOSS AND REVERSAL P	1	1
A96	607820-01 Control- Inverter 2 Hp, 230V	84W30	607820-01 Control-Inverter 2 Hp, 230V	1	1
A96	607820-02 Control- Inverter 2 Hp, 460V	84W31	607820-02 Control-Inverter 2 Hp, 460V	1	1
A96	607820-03 Control- Inverter 2 Hp, 575V	84W32	607820-03 Control-Inverter 2 Hp, 575V	1	1
A96	607820-04 Control- Inverter 3 Hp, 230V	84W33	607820-04 Control-Inverter 3 Hp, 230V	1	1
A96	607820-05 Control- Inverter 3 Hp, 460V	84W34	607820-05 Control-Inverter 3 Hp, 460V	1	1
A96	607820-06 Control- Inverter 3 Hp, 575V	84W35	607820-06 Control-Inverter 3 Hp, 575V	1	1
A96	607820-07 Control- Inverter 5 Hp, 230V	84W36	607820-07 Control-Inverter 5 Hp, 230V	1	1
A96	607820-08 Control- Inverter 5 Hp, 460V	84W37	607820-08 Control-Inverter 5 Hp, 460V	1	1
A96	607820-09 Control- Inverter 5 Hp, 575V	84W38	607820-09 Control-Inverter 5 Hp, 575V	1	1
	COVER	29K2401	GFI	1	1
	COVER-DISCONNECT (ELECTRIC)(5pcblk)	601514-01	DISC BOX-W/DISC	1	1
	DISCONNECT COVER BOX (5 pcs blk)	604018-01	DISC BOX-NO DISC	1	1
	INVERTER CONTROL PANEL	103368-01	INVERTER CONTROL PANEL TOUCH P AD	1	1
	SWITCH-DISCONNECT	102536-01	150AMP	1	1
	SWITCH-DISCONNECT	93J3101	"600V,80AMP"	1	1
C1	CAPACITOR	39H6101	"O.D.FAN,10MFD,370VAC"	2	2
C2	CAPACITOR	39H6201	"O.D.FAN,12.5MFD,370VAC OVAL	2	2
C2	CAPACITOR	39H6301	"O.D.FAN,15MFD,370VAC (INTL)"	2	2
F4	BLOCK,FUSE	P-8-5848	50A-60A	1	1
F4	BLOCK-FUSE	P-8-5847	70A-80A	1	1

KCA092S4				DASH/Revision # with Qty	
Key	Part Name	Part Number	Description	1	2
F4	BLOCK-FUSE	P-8-7158	20A-30A	1	1
F4	BLOCK-FUSE	P-8-7159	35A-40A	1	1
	FUSE	P-8-1993	"DUAL ELEM 20A,600V"	3	3
	FUSE	P-8-2220	"DUAL ELEM 30A,600V"	3	3
	FUSE	P-8-401	"DUAL ELEM 50A,250V"	3	3
	FUSE	P-8-5813	"DUAL ELEM 25A,600V"	3	3
	FUSE	P-8-5849	"DUAL ELEM 35A,250V"	3	3
	FUSE	P-8-5851	"DUAL ELEM 70A,250V"	3	3
	FUSE	P-8-5852	"DUAL ELEM 60A,250V"	3	3
	FUSE	P-8-5853	"DUAL ELEM 40A,250V"	3	3
	FUSE	P-8-6937	"DUAL ELEM 80A,250V"	3	3
J247	HARNESS-WIRING	LB-115303A	HARNESS - J247/A96 CONT MULTI STAGE(VFD)	1	1
K1	CONTACTOR-3PDT 25F LA/35RES	100438-03	"COMP 1,3PDT,24V"	1	1
K10	RELAY	67K6501	"FAN,DPDT,24V"	1	1
K2	CONTACTOR-3PDT 25F LA/35RES	100438-03	"COMP 2,3PDT,24V"	1	1
K232	RELAY	67K6501	RELAY	1	1
K3	CONTACTOR	60M1201	"BLR-3PDT,24V"	1	1
K65	RELAY	67K6501	RELAY "DPDT"	1	1
K8	RELAY	67K6501	"TRANSFER,DPDT,24V"	1	1
P246	HARNESS-WIRING	LB-115304A	HARNESS - P246/A96 CONT (VFD)	1	1
S42	PROTECTOR-OVLD	99K3201	BLR MTR OVLD-(4-6 AMPS)	1	1
S42	RELAY	99K3001	BLR MTR OVLD-(7-10 AMPS)	1	1
S42	RELAY	99K3101	BLR MTR OVLD-(2.5-4.0 AMPS)	1	1
S52	SWITCH-PRESSURE (B LOWER PROVING)	102324-02	SWITCH-PRESSURE (BLOWER PROVING)	1	1
	FITTING TOTAL PRES S SENSING BARB 90 SNAP	102392-01	FITTING TOTAL PRESS SENSING BARB 90 SNAP	1	1

KCA092S4				DASH/Revision # with Qty	
Key	Part Name	Part Number	Description	1	2
T1	TRANSFORMER	51M4401	"208/240V & 380/420V PRI, 24V SEC,70VA"	1	1
T1	TRANSFORMER	51M4501	"480V PRI,24V SEC,70VA"	1	1
T1	TRANSFORMER	51M4601	"600V PRI,24V SEC,70VA"	1	1
TB1	STRIP-TERMINAL	100669-01	STRIP, TERMINAL	1	1
TB13	WIRING BLOCK, TERMINAL	103319-01	WIRING BLOCK, TERMINAL	1	1
Category: BLOWER PARTS					
51	MOTOR-BLOWER	101501-01	"3HP,1725RPM,208-230/60/3"	1	1
51	MOTOR-BLOWER	101501-02	"3HP,1725RPM,460/60/3"	1	1
51	MOTOR-BLOWER	101678-01	"5HP,1725RPM,208-230/60/3"	1	1
51	MOTOR-BLOWER	101678-02	"5HP,1725RPM,460/60/3"	1	1
51	MOTOR-BLOWER	23G4001	"2HP,1725RPM,200-230/460/60/3"	1	1
51	MOTOR-BLOWER	43G3201	"3HP,1725RPM,575/60/3"	1	1
51	MOTOR-BLOWER	49A4301	"2HP,1425RPM,380-420/50/3"	1	1
51	MOTOR-BLOWER	49A4401	"3HP,1425RPM,380-420/50/3"	1	1
51	MOTOR-BLOWER	49A4501	"5HP,1425RPM,380-420/50/3"	1	1
51	MOTOR-BLOWER	P-8-5685	"2HP,1725RPM,575/60/3"	1	1
51	MOTOR-BLOWER	P-8-5702	"5HP,1725RPM,575/60/3"	1	1
69	PULLEY-BLOWER	100244-17	"1" BORE,4.45 O.D.(PKG 3)"	1	1
69	PULLEY-BLOWER	100244-20	"1" BORE,5.95 O.D.(PKG 1)"	1	1
69	PULLEY-BLOWER	100244-21	"1" BORE,7.25 O.D.(PKG 4,7)"	1	1
69	PULLEY-BLOWER	100244-23	"1" BORE,6.45 O.D.(PKG 12)"	1	1
69	PULLEY-BLOWER	100244-24	"1" BORE,6.45 O.D.(PKG 11)"	1	1
69	PULLEY-BLOWER	12L2501	"1" BORE,6.25 O.D.(PKG 6,9)"	1	1
69	PULLEY-BLOWER	31K6801	"1" BORE,5.75 O.D.(PKG 2)"	1	1
69	PULLEY-BLOWER	37L4701	"1" BORE,6.75 O.D.(PKG 5,8)"	1	1

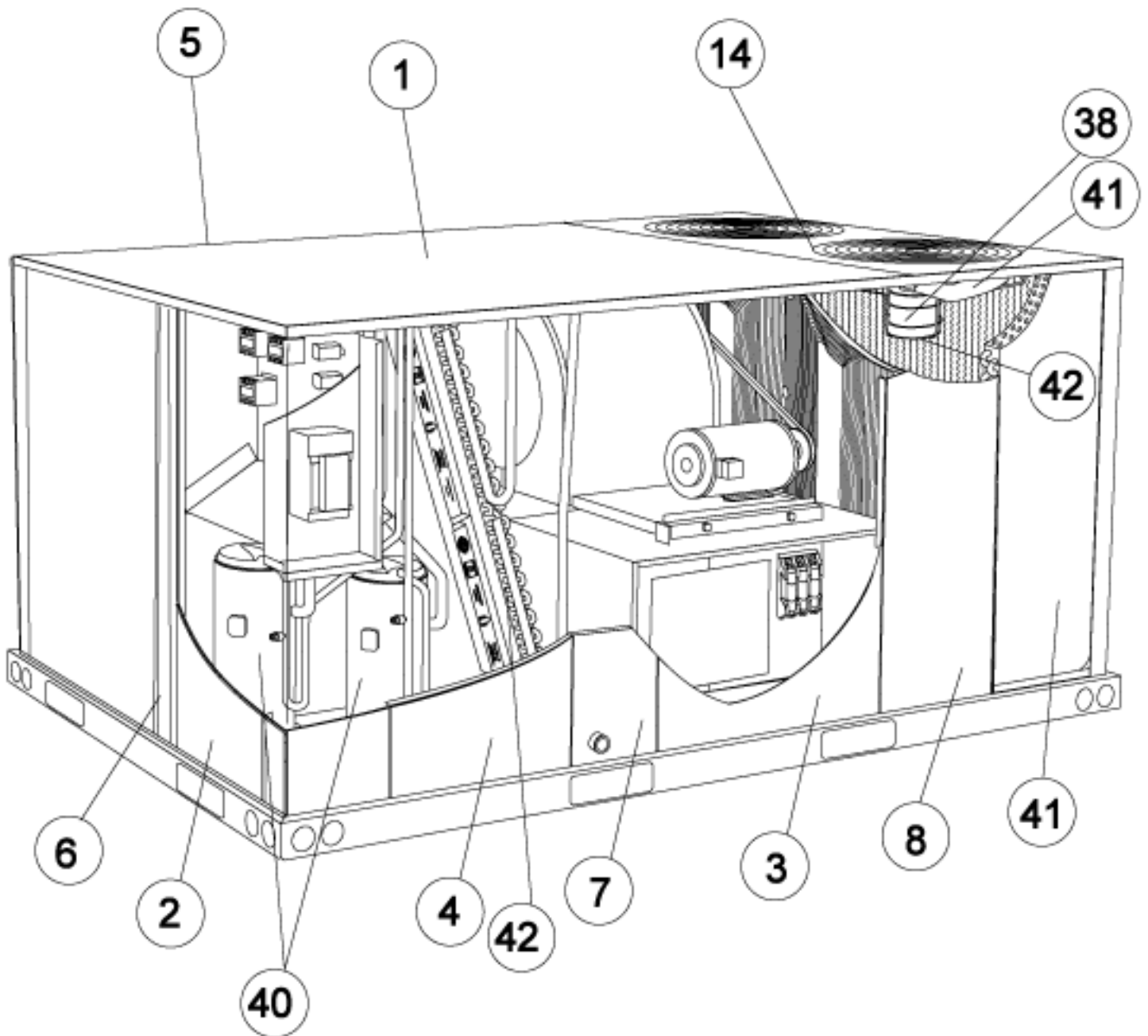
KCA092S4				DASH/Revision # with Qty	
Key	Part Name	Part Number	Description	1	2
69	PULLEY-BLOWER	49K4001	"1" BORE,7.45 O.D.(PKG 10)"	1	1
	HARNESS-WIRING	LB-110569A	BLR MTR-(3 PH)	1	1
	HARNESS-WIRING	LB-110569B	BLR MTR-(INTL)	1	1
	HARNESS-WIRING	LB-111905A	"BLR MTR-K3,S42(INTL)"	1	1
67	BELT	100245-11	BX56 (PKG 12)	1	1
67	BELT	100245-25	AX54 (PKG 1)	1	1
67	BELT	100245-26	AX55 (PKG 2)	1	1
67	BELT	100245-28	AX57 (PKG 6,9)"	1	1
67	BELT	100245-33	AX52 (PKG 3)	1	1
67	BELT	100245-34	AX58 (PKG 4,5,7,8)"	1	1
67	BELT	59A5001	BX59 (PKG 10)	1	1
67	BELT	78L5301	BX57 (PKG 11)	1	1
54	BRACKET-MOUNTING BEARING	102272-01	BRACKET-MOUNTING BEARING	2	2
55	HOUSING-BLOWER	604790-01	BLOWER ASSY LANDMARK & ENERGY B BOX	1	1
55	HOUSING-BLOWER	604790-02	PAINTED	1	1
	BLOWER SLIDE RAILS	600907-01	BLOWER SLIDE RAILS	2	2
	PLATE-CUTOFF	LB-66131	PLATE, CUTOFF L SERIES(STUTT)	1	1
	PLATE-CUTOFF	LB-66131CP	PAINTED	1	1
	SEAL - BLOWER	602677-01	SEAL ANGLE - BLOWER	2	2
56	WHEEL-BLOWER	LB-29333BCJ	"1" BORE,15" X 15"	1	1
	KEY	LB-66258	BLR WHEEL	1	1
57	SHAFT-BLOWER	93J8601	"1" DIA,24" LONG"	1	1
	KEY	LB-21259D	BLR WHEEL-SHAFT	1	1
58	BEARING RUBRB-116 SK2430 LX5	100639-02	"1" BORE"	2	2
66	PULLEY-MOTOR	100239-07	"1-1/8" BORE(PKG 7)"	1	1

KCA092S4				DASH/Revision # with Qty	
Key	Part Name	Part Number	Description	1	2
66	PULLEY-MOTOR	31K6901	"7/8""BORE,3.15 O.D.(PKG 1,3)"	1	1
66	PULLEY-MOTOR	79J0301	"7/8""BORE,3.75 O.D.(PKG 2)"	1	1
66	PULLEY-MOTOR	P-8-1488	"7/8""BORE,4.15 O.D.(PKG 4)"	1	1
66	PULLEY-MOTOR	P-8-1977	"1-1/8""BORE(PKG 8,9,10,11,12) "	1	1
66	PULLEY-MOTOR	P-8-2187	"7/8""BORE,4.75 O.D.(PKG 5,6)"	1	1
	TENSIONER ASSY B B OX	604235-05	INCLUDES TENSIONER,BRKT SPACE PLATE	1	1
	HARNESS, BLOWER MO TOR	600768-01	HARNESS, BLOWER MTR (Y-G-J)(NO N VFD)	1	1
	HARNESS, BLOWER MO TOR	601655-01	HARNESS, BLOWER MOTOR (M)	1	1
	HARNESS, MSAV BLOW ER MOTOR	606720-01	HARNESS, BLOWER MOTOR (VFD)(Y- G-J)	1	1
75	BLR SIDE FRAME & M TR MTG PLATE	604791-01	W/O TENSIONER (BEFORE 01/11)	1	
75	BLR SIDE FRAME & M TR MTG PLATE	604791-03	W/TENSIONER (BEFORE 01/11)	1	
75	BLR SIDE FRAME & M TR MTG PLATE	604791-05	W/O TENSIONER (AFTER 01/11)	1	1
75	BLR SIDE FRAME & M TR MTG PLATE	604791-07	W/TENSIONER (AFTER 01/11)	1	1
	PLATE-MOTOR MOUNTI NG	604791-02	W/O TENSIONER (BEFORE 01/11)	1	
	PLATE-MOTOR MOUNTI NG	604791-04	W/TENSIONER (BEFORE 01/11)	1	
	PLATE-MOTOR MOUNTI NG	604791-06	W/O TENSIONER (AFTER 01/11)	1	1
	PLATE-MOTOR MOUNTI NG	604791-08	W/TENSIONER (AFTER 01/11)	1	1
Category:ECONOMIZER SECTION					
	FILTER	48J0101	FILTER OAH (16" X 25" X 1") WA SHABLE	2	2
	FRESH AIR HOOD PKG ASSY B BOX	603429-01	FRESH AIR HOOD PKG ASSY B BOX	1	1
	GRAVITY EXHAUST DA MPER B BOX	602745-01	GRAVITY EXHAUST DAMPER B BOX	1	1
A6	CONTROLLER	60M1001	ECON-ENTHALPY	1	1
A7	SENSOR	54G4401	ENTHALPY-OUT-DOOR	1	1
B7	MOTOR-DAMPER HONEY WELL	102537-01	24V(MODULATING)	1	1
B7	MOTOR-DAMPER HONEY WELL	78G6701	MOTOR-DAMPER 24V	1	1

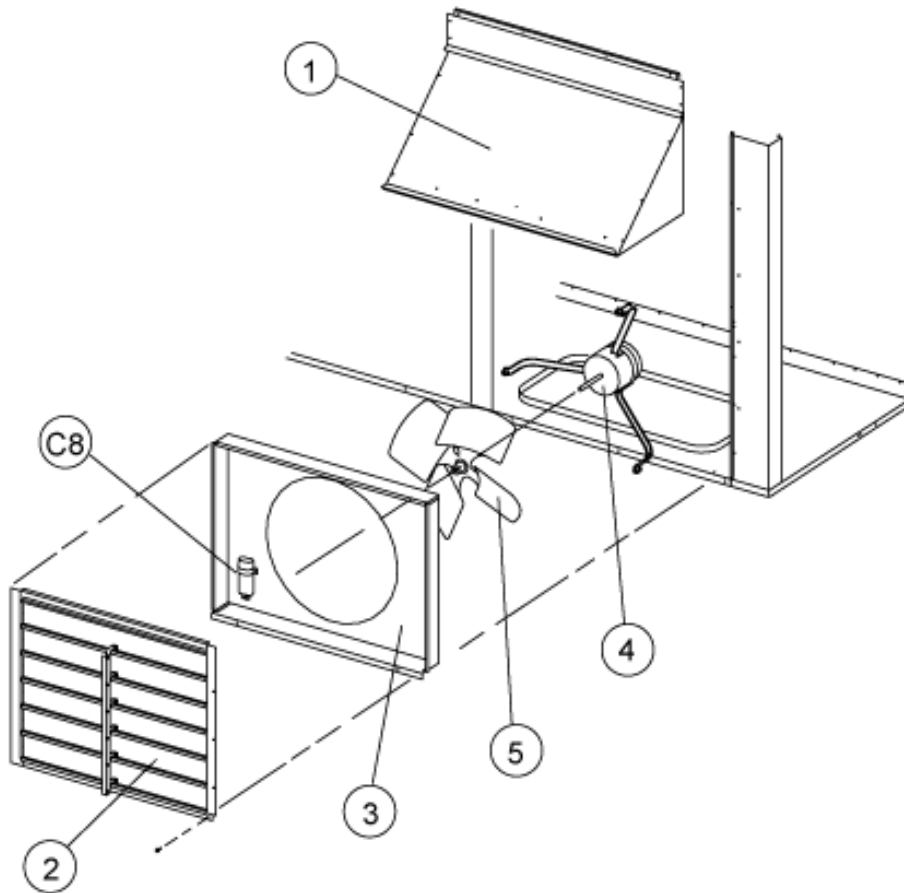
KCA092S4				DASH/Revision # with Qty	
Key	Part Name	Part Number	Description	1	2
B7	MOTOR-DAMPER SIEMENS	102691-02	MOTOR-ACTUATOR SIEMENS(OAD)	1	1
B7	MOTOR-DAMPER SIEMENS	102691-04	MOTOR-ACTUATOR SIEMENS(MODULATING)	1	1
R1	SENSOR	79J0901	MIXED AIR	1	1
	HARNESS, ECONOMIZER (J262A)	603533-01	HARNESS, ECONOMIZER (J262A)	1	1
	RESISTOR ASSEMBLY - SSC ECONO	102578-01	RESISTOR RESISTOR ASSEMBLY - SSC ECONO	1	1
S175	SENSOR SINGLE SENSIBLE CONTROL	102527-01	SENSOR SINGLE SENSIBLE CONTROL	1	1
Category:EXHAUST AIR DAMPER SECTION					
5	FAN	57A6601	"1/2"BORE,20"DIA,5 BLADE"	1	1
	MOUNT-MOTOR	63K6701	MOUNT, MOTOR	1	1
4	MOTOR-FAN	79J8101	"1/3 HP,1050 RPM,208-230/60/1"	1	1
4	MOTOR-FAN	79J8201	"1/3 HP,1050 RPM,460/60/1"	1	1
4	MOTOR-FAN	79J8301	"1/3 HP,1050 RPM,575/60/1"	1	1
C8	CAPACITOR	39H6101	CAPACITOR, RUN 10 @370V:	1	1
Category:*OPTIONAL PARTS-FACTORY+ FIELD INSTALLED					
KIT 1	C1SNSR44B-1 SMOKE DETECTOR	603408-03	SUPPLY & RETURN (INCLUDES NEXT 8 PARTS)	1	1
	BRACKET, SD POWER BOARD	606620-01	BRACKET, SD POWER BOARD	1	1
	BRACKET-SMOKE DETECTOR (4 pc blk)	602035-01	SENSOR BRACKET	1	1
	HARNESS - JUMPER SMOKE DETECTOR SUPPLY	604374-01	HARNESS - JUMPER SMOKE DETECTOR SUPPLY	1	1
	SMOKE DETECTOR D4P 120 POWER BOARD	102326-01	POWER BOARD	1	1
	SMOKE DETECTOR D4S SENSOR COMPONENT	102325-01	SMOKE DETECTOR 24VAC	1	1
	SMOKE DETECTOR PHOTOELECTRIC	103447-01	SMOKE DETECTOR SENSOR HEAD	1	1
	TUBE-AIR DUCT SAMPLING 18 IN	102371-01	TUBE, DUCT SAMPLING 18" LONG	1	1
	TUBE-AIR DUCT SAMPLING 36 IN	102371-03	TUBE-AIR DUCT SAMPLING 36" LONG	1	1

NOTE

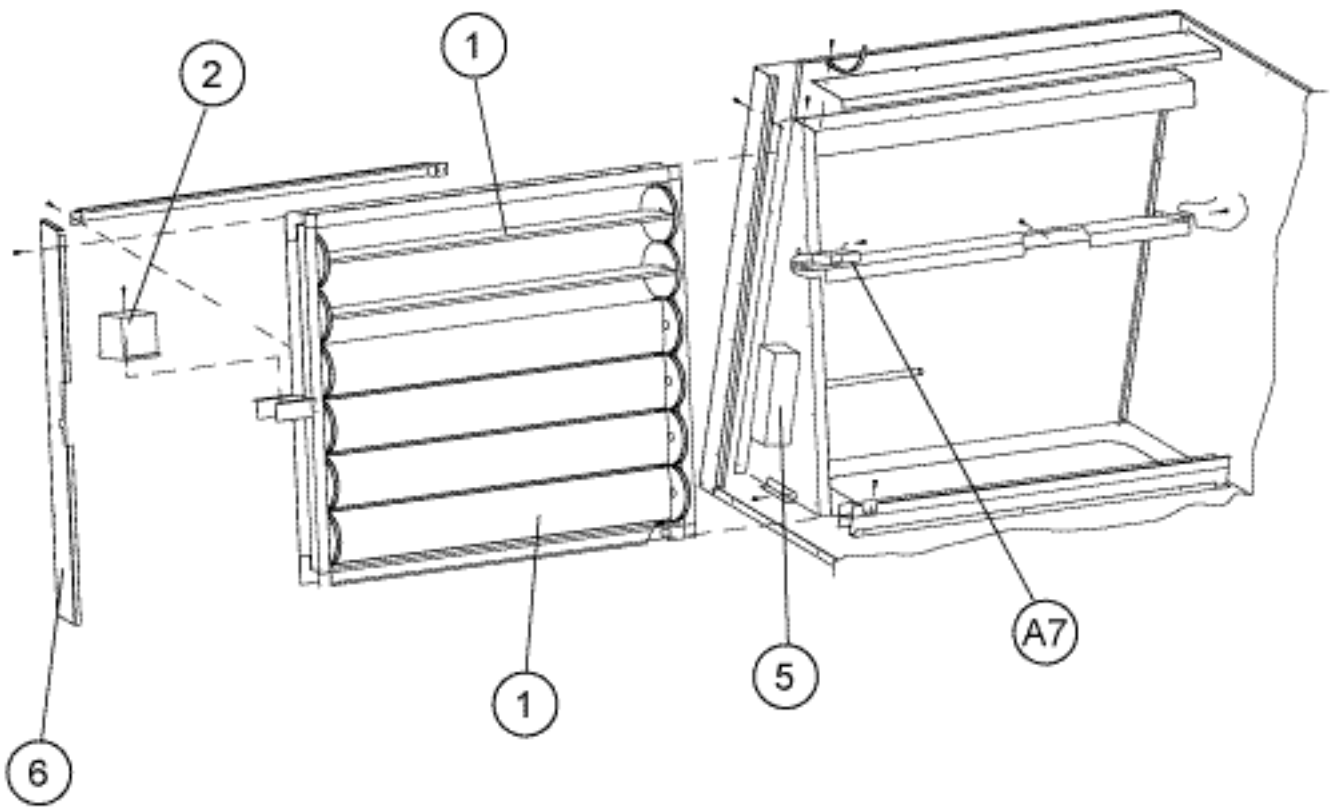
KCA 092-150 SERIES



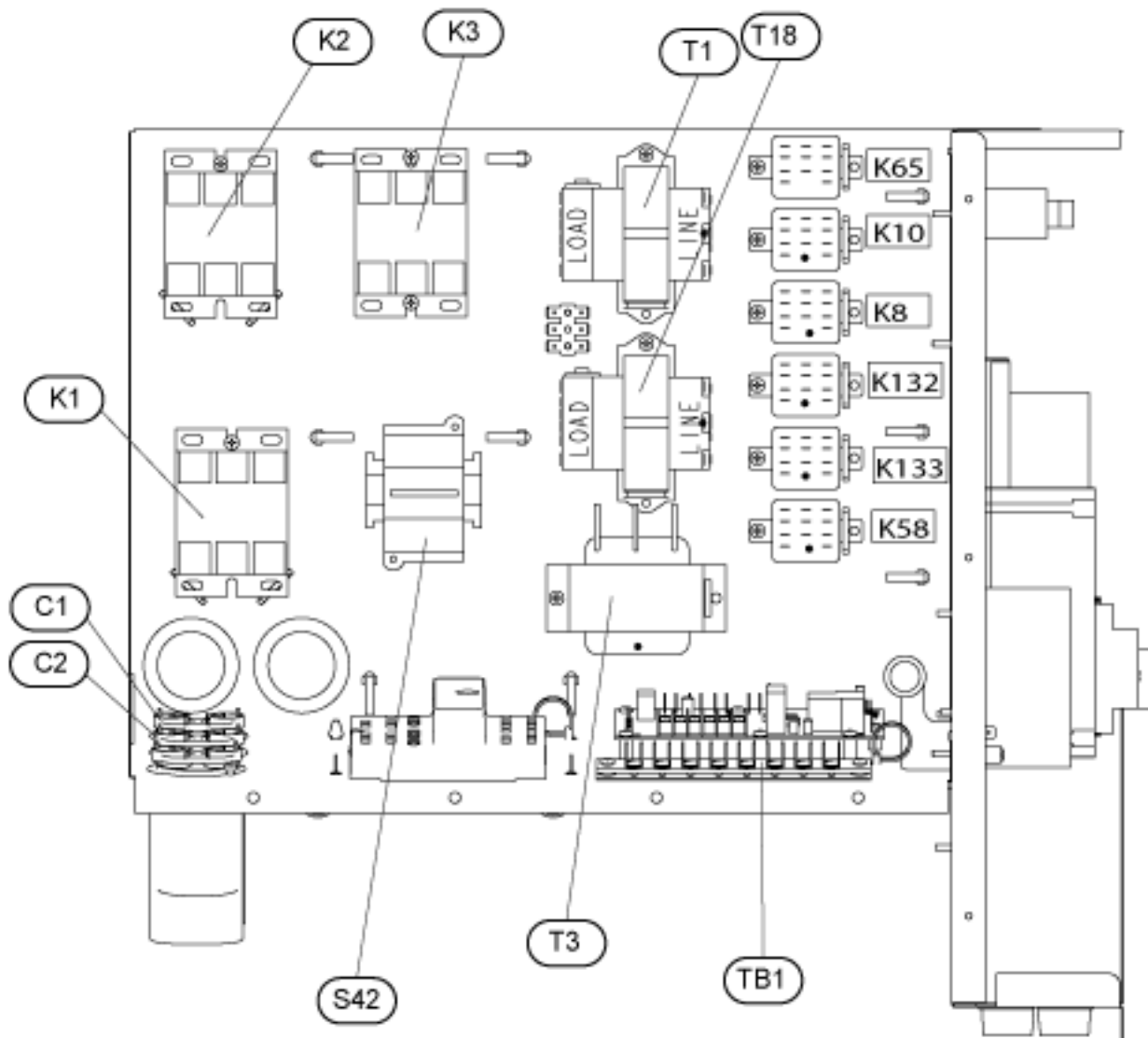
**KCA 092-150 SERIES
POWER EXHAUST**



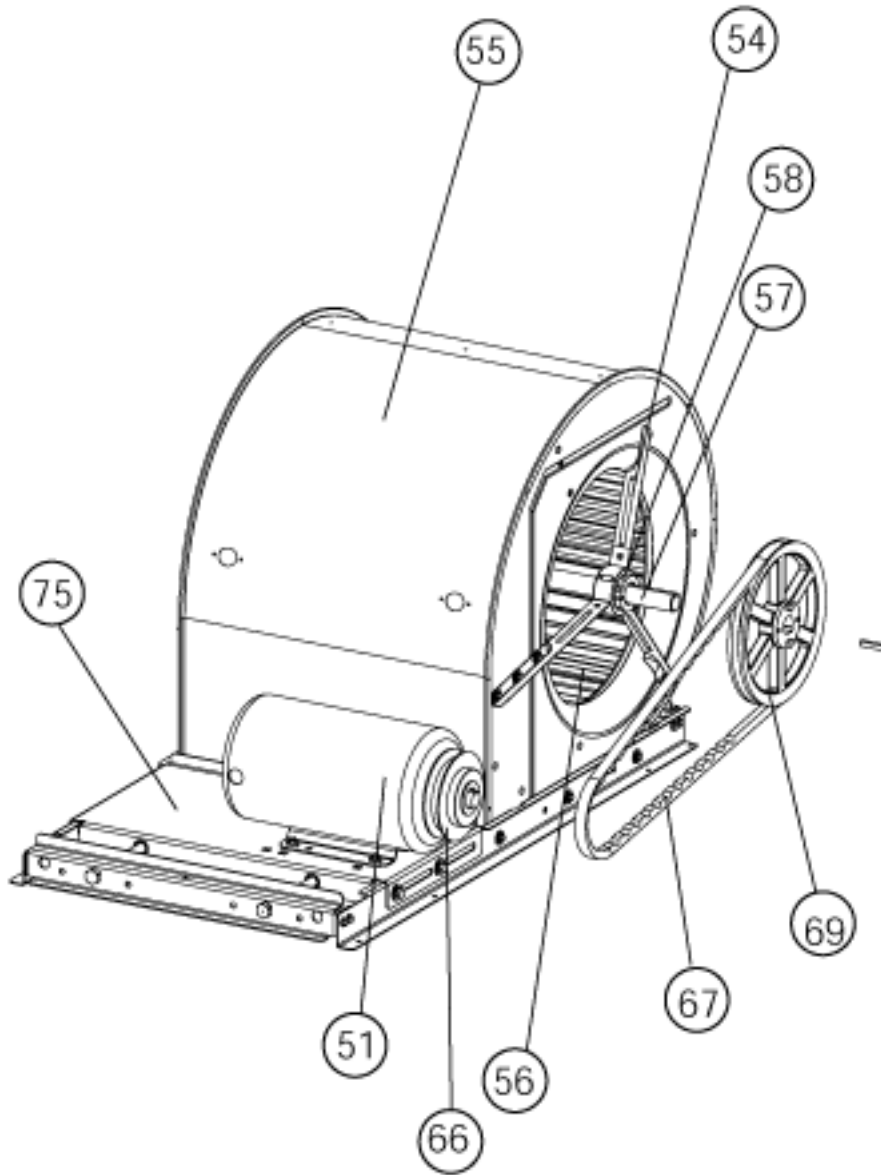
**KCA 092 -150 SERIES
DAMPER ASSEMBLY**



KCA 092-150 SERIES CONTROL BOX



**KCA 092-150SERIES
BLOWER SECTION**



KCA102S4				DASH/Revision # with Qty	
Key	Part Name	Part Number	Description	1	2
Category:CABINET PARTS					
1	REPAIR PART TOP PANEL B BOX	600263-01	EVAP & COND ASSY (BEFORE 08/05/11)	1	
1	REPAIR PART TOP PANEL B-BOX	600263-04	EVAP & COND ASSY (AFTER 08/05/11)	1	1
13	MULLION - COND CORNER	608262-01	"COND CORNER,REAR		1
14	RING-ORIFICE	LB-100110B	1 PC ASSY	1	1
	GRILLE-DISCHARGE	21J3101	GRILLE, FAN GUARD	2	2
2	ACCESS PANEL NON HINGE OPTIONS	600436-01	COMP ACCESS (NON-HNGD)	1	1
2	PANEL-CONTROL ACCESS HINGED	603133-01	COMP ACCESS (HNGD)	1	1
3	ACCESS PANEL NON HINGE OPTIONS	600436-03	"BLR/HEAT ACCESS, (NON-HNGD)"	1	1
3	REPAIR PARTS ACCESS PANEL HINGE OPTIONS	603133-03	"BLR/HEAT ACCESS, (HNGD)"	1	1
4	ACCESS PANEL NON HINGE OPTIONS	600436-02	"FILTER ACCESS, (NON-HNGD)"	1	1
4	PANEL-FILTER ACCESS	603133-02	"FILTER ACCESS, (HNGD)"	1	1
5	Panel-Rear w/oSA/RA Cover	600426-02	REAR-W/O COVER (SA/RA)	1	1
5	Panel-Rear w/SA/RA Cover	600426-01	REAR-W/COVER (SA/RA)	1	1
	Cover-Rear SA/RA	600426-03	REAR (SA/RA)	1	1
6	MULLION - NON HINGE OPTIONS REPAIR PARTS	600614-01	ACCESSORIES (NON-HNGD)	1	1
6	MULLION-ACCESSORIES HINGE	603126-01	ACCESSORIES (HNGD)	1	1
7	MULLION - NON HINGE OPTIONS REPAIR PARTS	600614-02	DRAIN PAN (NON-HNGD)	1	1
7	MULLION-DRAIN PAN HINGE	603126-02	DRAIN PAN (HNGD)	1	1
8	MULLION - HEAT FRONT	600614-03	HEAT FRONT (NON-HNGD)	1	
8	MULLION - HEAT FRONT	600614-07	HEAT FRONT (NON-HNGD)		1
8	MULLION - HEAT FRONT	603126-03	HEAT FRONT (HNGD)	1	
8	MULLION - HEAT FRONT	603126-07	HEAT FRONT (HNGD)		1
	DRAIN TRAP KIT (COPPER)	LB-107882B	COPPER	1	1
	DRAIN TRAP KIT (PVC)	LB-107882A	PVC	1	1

KCA102S4				DASH/Revision # with Qty	
Key	Part Name	Part Number	Description	1	2
	FILTER, AIR 20X25X 2 MERV 4 06020252LM4	100509-04	FILTER AIR, 20X25X2 MERV 4	4	4
	HINGE	100595-01	ACCESS DOORS (2 PER DOOR)	6	6
	KIT-HANDLE	LB-95291B	"INC HANDLE,CAM,WASHER,SPRING"	1	1
	PANEL-ACCESSORIES	600426-04	ACC'Y ACCESS PNL NO OAD	1	1
9	MULLION	LB-109525	"COND CORNER,REAR"(BEFORE 08/2 9/11)	1	
	MULLION - COND COR NER	608262-01	"COND CORNER,REAR"(AFTER 08/29 /11)	1	
	MULLION / CORNER - DISCONNECT(2pcblk)	602049-01	MULLION / CORNER - DISCONNECT	1	1
Category:COOLING PARTS					
30	COMPRESSOR	100040-44	"3.5TON,208-230/60/3,COPE"	2	2
30	COMPRESSOR	100040-45	"3.5TON,460/60/3,320-480/50/3C OPE"	2	2
30	COMPRESSOR	100040-46	"3.5TON,575/60/3,COPE"	2	2
			RELAY-OVERLOADCOMP-INTERNAL	1	1
	HARNESS-WIRING	LB-99231A	COMP- MOLDED PLUG	1	1
	HEATER-CRANKCASE	100499-07	600V	1	1
	HEATER-CRANKCASE	100499-08	480V	1	1
	HEATER-CRANKCASE	100499-10	240V	1	1
	MOUNT PKG-COMP	74J3001PR	MOUNT PKG-COMP	1	1
32	COIL ASSY - OUTDOO R	604788-02	W/MANIFOLD (TUBE & FIN)	1	
32	COIL ASSY - OUTDOO R	604788-12	W/MANIFOLD,ENVIRON (MCHX)		1
33	COIL ASSY - INDOOR	604922-04	W/MANIFOLD (W/TXV)	1	
33	COIL ASSY - INDOOR (RFC)	604922-14	W/MANIFOLD (W/RFC)		1
	ASSY-REPAIR PART R ESTRICTOR	103840-01	I.D. (W/ RFC)		1
	DISTRIBUTOR ASSEMB LY INDOOR	610469-09	I.D. (W/ RFC)		1
38	MOTOR-FAN	79J8101	"1/3HP,1075RPM,208-230/60/1"	2	2
38	MOTOR-FAN	79J8201	"1/3HP,1075RPM,460/60/1,380-42 0/50/1"	2	2

KCA102S4				DASH/Revision # with Qty	
Key	Part Name	Part Number	Description	1	2
38	MOTOR-FAN	79J8301	"1/3HP,1075RPM,575/60/1"	2	2
	HARNESS, OD FAN POWER DIST	603466-01	O.D.FAN	1	1
	SHIELD-RAIN	P-8-6142	SHIELD, MOTOR	2	2
S4/S7	SWITCH-HI PRESS	103735-01	OPEN 640PSIG,MANUAL RESET		2
41	FAN	100654-01	1/2"BORE,24"DIA,3 BLADE		2
41	FAN	65C6801	1/2"BORE,24"DIA,3 BLADE	2	
42	BRACKET	78L4101	MOUNT, MOTOR	2	2
43	PAN-DRAIN	101996-02	PAN - PLASTIC DRAIN	1	1
	CAP-SEAL	P-8-3187	CAP, BRASS	5	5
	DRIER	38M7201	LIQUID LINE (R410A)	2	2
	FITTING PRESS TAP	86G6401	FITTING, PRESSURE TAP	5	5
	VALVE CORE	P-8-1897	VALVE, CORE 8075910047	5	5
	VALVE-EXPANSION	100935-01	VALVE, EXPANSION R410A	2	
S11	SWITCH-LOW AMBIENT	102312-01	LO AMB OPEN 240PSIG, CLOSE 450 PSIG	1	1
S4/S7	SWITCH-HIGH PRESSURE MANUAL RESET	102448-01	OPEN 640PSIG,MANUAL RESET	2	
S48	SWITCH-LOW AMBIENT	102312-02	LO AMB OPEN 240PSIG, CLOSE 450 PSIG	1	1
S49	SWITCH-TEMP FREEZE STAT	102450-01	EVAP	2	2
Category:ELECTRIC HEATING PARTS					
			FOR REPAIR PARTS REFER TO THE C1EH	1	1
Category:CONTROL PANEL PARTS					
A183	KIT LVC2 REPAIR PART	103557-01	ASSY-P.C.BOARD LVC2 LANDMARK VFD CNT	1	1
A42	ASSY-P.C.BOARD PHASE LOSS AND REVERSAL P	103316-01	ASSY-P.C.BOARD PHASE LOSS AND REVERSAL P	1	1
A96	607820-01 Control-Inverter 2 Hp, 230V	84W30	607820-01 Control-Inverter 2 Hp, 230V	1	1
A96	607820-02 Control-Inverter 2 Hp, 460V	84W31	607820-02 Control-Inverter 2 Hp, 460V	1	1
A96	607820-03 Control-Inverter 2 Hp, 575V	84W32	607820-03 Control-Inverter 2 Hp, 575V	1	1

KCA102S4				DASH/Revision # with Qty	
Key	Part Name	Part Number	Description	1	2
A96	607820-04 Control-Inverter 3 Hp, 230V	84W33	607820-04 Control-Inverter 3 Hp, 230V	1	1
A96	607820-05 Control-Inverter 3 Hp, 460V	84W34	607820-05 Control-Inverter 3 Hp, 460V	1	1
A96	607820-06 Control-Inverter 3 Hp, 575V	84W35	607820-06 Control-Inverter 3 Hp, 575V	1	1
A96	607820-07 Control-Inverter 5 Hp, 230V	84W36	607820-07 Control-Inverter 5 Hp, 230V	1	1
A96	607820-08 Control-Inverter 5 Hp, 460V	84W37	607820-08 Control-Inverter 5 Hp, 460V	1	1
A96	607820-09 Control-Inverter 5 Hp, 575V	84W38	607820-09 Control-Inverter 5 Hp, 575V	1	1
	INVERTER CONTROL PANEL	103368-01	INVERTER CONTROL PANEL TOUCH PAD	1	1
C1	CAPACITOR	39H6101	"O.D.FAN,10MFD,370VAC"	1	1
C1A	CAPACITOR	39H6101	"O.D.FAN,10MFD,370VAC"	1	1
C2	CAPACITOR	39H6301	"O.D.FAN,15MFD,370VAC (INTL)"	1	1
	COVER	29K2401	GFI	1	1
	COVER-DISCONNECT (ELECTRIC)(5pcblk)	601514-01	DISC BOX-W/DISC	1	1
	DISCONNECT COVER BOX (5 pcs blk)	604018-01	DISC BOX-NO DISC	1	1
	SWITCH-DISCONNECT	102536-01	150AMP	1	1
	SWITCH-DISCONNECT	93J3101	"600V,80AMP"	1	1
C2A	CAPACITOR	39H6301	"O.D.FAN,15MFD,370VAC (INTL)"	1	1
F4	BLOCK,FUSE	P-8-5848	50A-60A	1	1
F4	BLOCK-FUSE	P-8-5847	70A-80A	1	1
F4	BLOCK-FUSE	P-8-7158	20A-30A	1	1
F4	BLOCK-FUSE	P-8-7159	35A-40A	1	1
	FUSE	P-8-1993	"DUAL ELEM 20A,600V"	3	3
	FUSE	P-8-2220	"DUAL ELEM 30A,600V"	3	3
	FUSE	P-8-401	"DUAL ELEM 50A,250V"	3	3
	FUSE	P-8-5813	"DUAL ELEM 25A,600V"	3	3
	FUSE	P-8-5849	"DUAL ELEM 35A,250V"	3	3

KCA102S4				DASH/Revision # with Qty	
Key	Part Name	Part Number	Description	1	2
	FUSE	P-8-5851	"DUAL ELEM 70A,250V"	3	3
	FUSE	P-8-5852	"DUAL ELEM 60A,250V"	3	3
	FUSE	P-8-5853	"DUAL ELEM 40A,250V"	3	3
	FUSE	P-8-6937	"DUAL ELEM 80A,250V"	3	3
J247	HARNESS-WIRING	LB-115303A	HARNESS - J247/A96 CONT MULTI STAGE(VFD)	1	1
K1	CONTACTOR-3PDT 25F LA/35RES	100438-03	"COMP 1,3PDT,24V"	1	1
K10	RELAY	67K6501	"FAN,DPDT,24V"	1	1
K2	CONTACTOR-3PDT 25F LA/35RES	100438-03	"COMP 2,3PDT,24V"	1	1
K232	RELAY	67K6501	RELAY	1	1
K3	CONTACTOR	60M1201	"BLR-3PDT,24V"	1	1
K65	RELAY	67K6501	RELAY "DPDT"	1	1
K8	RELAY	67K6501	"TRANSFER,DPDT,24V"	1	1
P246	HARNESS-WIRING	LB-115304A	HARNESS - P246/A96 CONTROL (VF D)	1	1
S42	PROTECTOR-OVLD	99K3201	BLR MTR OVLD-(4-6 AMPS)	1	1
S42	RELAY	99K3001	BLR MTR OVLD-(7-10 AMPS)	1	1
S42	RELAY	99K3101	BLR MTR OVLD-(2.5-4.0 AMPS)	1	1
S52	SWITCH-PRESSURE (B LOWER PROVING)	102324-02	SWITCH-PRESSURE (BLOWER PROVING)	1	1
	FITTING TOTAL PRES S SENSING BARB 90 SNAP	102392-01	FITTING TOTAL PRESS SENSING BARB 90 SNAP	1	1
T1	TRANSFORMER	51M4401	"208/240V & 380/420V PRI, 24V SEC,70VA"	1	1
T1	TRANSFORMER	51M4501	"480V PRI,24V SEC,70VA"	1	1
T1	TRANSFORMER	51M4601	"600V PRI,24V SEC,70VA"	1	1
TB1	STRIP-TERMINAL	100669-01	STRIP, TERMINAL	1	1
TB13	WIRING BLOCK, TERM INAL	103319-01	WIRING BLOCK, TERMINAL	1	1
Category:BLOWER PARTS					
51	MOTOR-BLOWER	101501-01	"3HP,1725RPM,208-230/60/3"	1	1

KCA102S4				DASH/Revision # with Qty	
Key	Part Name	Part Number	Description	1	2
51	MOTOR-BLOWER	101501-02	"3HP,1725RPM,460/60/3"	1	1
51	MOTOR-BLOWER	101678-01	"5HP,1725RPM,208-230/60/3"	1	1
51	MOTOR-BLOWER	101678-02	"5HP,1725RPM,460/60/3"	1	1
51	MOTOR-BLOWER	23G4001	"2HP,1725RPM,200-230/460/60/3"	1	1
51	MOTOR-BLOWER	43G3201	"3HP,1725RPM,575/60/3"	1	1
51	MOTOR-BLOWER	49A4301	"2HP,1425RPM,380-420/50/3"	1	1
51	MOTOR-BLOWER	49A4401	"3HP,1425RPM,380-420/50/3"	1	1
51	MOTOR-BLOWER	49A4501	"5HP,1425RPM,380-420/50/3"	1	1
51	MOTOR-BLOWER	P-8-5685	"2HP,1725RPM,575/60/3"	1	1
51	MOTOR-BLOWER	P-8-5702	"5HP,1725RPM,575/60/3"	1	1
69	PULLEY-BLOWER	100244-17	1"BORE,4.45 O.D.(PKG 3)	1	1
69	PULLEY-BLOWER	100244-20	1"BORE,5.95 O.D.(PKG 1)	1	1
69	PULLEY-BLOWER	100244-21	1"BORE,7.25 O.D.(PKG 4,7)	1	1
69	PULLEY-BLOWER	100244-23	1"BORE,5.95 O.D.(PKG 12)	1	1
69	PULLEY-BLOWER	100244-24	1"BORE,6.45 O.D.(PKG 11)	1	1
69	PULLEY-BLOWER	12L2501	1"BORE,6.25 O.D.(PKG 6,9)	1	1
69	PULLEY-BLOWER	31K6801	1"BORE,5.75 O.D.(PKG 2)	1	1
69	PULLEY-BLOWER	37L4701	1"BORE,6.75 O.D.(PKG 5,8)	1	1
69	PULLEY-BLOWER	49K4001	1"BORE,7.45 O.D.(PKG 10)	1	1
	HARNESS-WIRING	LB-110569A	BLR MTR-(3 PH)	1	1
	HARNESS-WIRING	LB-110569B	BLR MTR-(INTL)	1	1
	HARNESS-WIRING	LB-111905A	"BLR MTR-K3,S42(INTL)"	1	1
67	BELT	100245-11	BX56 (PKG 12)	1	1
67	BELT	100245-25	AX54 (PKG 1)	1	1
67	BELT	100245-26	AX55 (PKG 2)	1	1

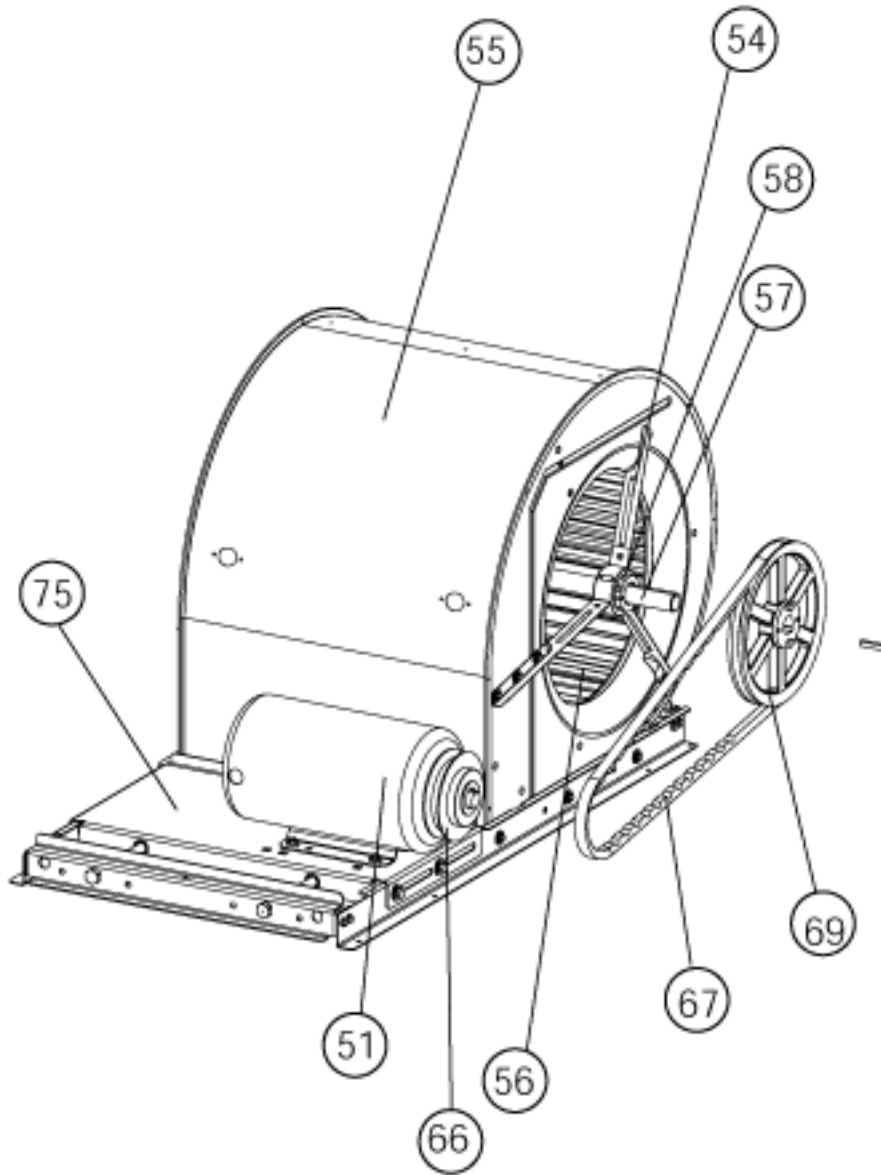
KCA102S4				DASH/Revision # with Qty	
Key	Part Name	Part Number	Description	1	2
67	BELT	100245-28	"AX57 (PKG 6,9)"	1	1
67	BELT	100245-33	AX52 (PKG 3)	1	1
67	BELT	100245-34	AX58 (PKG 4,5,7,8)"	1	1
67	BELT	59A5001	BX59 (PKG 10)	1	1
67	BELT	78L5301	BX57 (PKG 11)	1	1
54	BRACKET-MOUNTING BEARING	102272-01	BRACKET-MOUNTING BEARING	2	2
55	HOUSING-BLOWER	604790-01		1	1
55	HOUSING-BLOWER	604790-02	PAINTED	1	1
	BLOWER SLIDE RAILS	600907-01	BLOWER SLIDE RAILS	2	2
	PLATE-CUTOFF	LB-66131	PLATE, CUTOFF L SERIES(STUTT)	1	1
	PLATE-CUTOFF	LB-66131CP	PAINTED	1	1
	SEAL - BLOWER	602677-01	SEAL - BLOWER	2	2
56	WHEEL-BLOWER	LB-29333BCJ	"1" BORE,15" X 15"	1	1
	KEY	LB-66258	BLR WHEEL	1	1
57	SHAFT-BLOWER	93J8601	"1" DIA,24" LONG"	1	1
	KEY	LB-21259D	BLR WHEEL-SHAFT	1	1
58	BEARING RUBRB-116 SK2430 LX5	100639-02	"1" BORE"	2	2
66	PULLEY-MOTOR	100239-07	1-1/8"BORE,4.15 O.D.(PKG 7)	1	1
66	PULLEY-MOTOR	31K6901	7/8"BORE,3.15 O.D.(PKG 1,3)	1	1
66	PULLEY-MOTOR	79J0301	7/8"BORE,3.75 O.D.(PKG 2)	1	1
66	PULLEY-MOTOR	P-8-1488	7/8"BORE,4.15 O.D.(PKG 4)	1	1
66	PULLEY-MOTOR	P-8-1977	1-1/8"BORE,4.75 O.D. (PKG 8,9,10,11,12)	1	1
66	PULLEY-MOTOR	P-8-2187	7/8"BORE,4.75 O.D.(PKG 5,6)	1	1
	TENSIONER ASSY B BOX	604235-05	INCLUDES TENSIONER,BRKT PLATE SPACE	1	1
	HARNESS, BLOWER MOTOR	600768-01	HARNESS, BLOWER MTR (Y-G-J)(NO N VFD)	1	1

KCA102S4				DASH/Revision # with Qty	
Key	Part Name	Part Number	Description	1	2
	HARNESS, BLOWER MOTOR	601655-01	HARNESS, BLOWER MOTOR (M)	1	1
	HARNESS, MSAV BLOWER MOTOR	606720-01	HARNESS, BLOWER MOTOR (VFD)(Y-G-J)	1	1
75	BLR SIDE FRAME & MTR MTG PLATE	604791-01	W/O TENSIONER (BEFORE 01/11)	1	
75	BLR SIDE FRAME & MTR MTG PLATE	604791-03	W/TENSIONER (BEFORE 01/11)	1	
75	BLR SIDE FRAME & MTR MTG PLATE	604791-05	W/O TENSIONER (AFTER 01/11)	1	1
75	BLR SIDE FRAME & MTR MTG PLATE	604791-07	W/TENSIONER (AFTER 01/11)	1	1
	PLATE-MOTOR MOUNTING	604791-02	W/O TENSIONER (BEFORE 01/11)	1	
	PLATE-MOTOR MOUNTING	604791-04	W/TENSIONER (BEFORE 01/11)	1	
	PLATE-MOTOR MOUNTING	604791-06	W/O TENSIONER (BEFORE 01/11)	1	1
	PLATE-MOTOR MOUNTING	604791-08	W/TENSIONER (AFTER 01/11)	1	1
Category:ECONOMIZER SECTION					
	FILTER	48J0101	FILTER OAH (16" X 25" X 1") WASHABLE	2	2
	FRESH AIR HOOD PKG ASSY B BOX	603429-01	FRESH AIR & EXH	1	1
	GRAVITY EXHAUST DAMPER B BOX	602745-01	GRAVITY EXHAUST DAMPER B BOX	1	1
A6	CONTROLLER	60M1001	ECON-ENTHALPY	1	1
A7	SENSOR	54G4401	ENTHALPY-OUT-DOOR	1	1
B7	MOTOR-DAMPER HONEYWELL	102537-01	24V(MODULATING)	1	1
B7	MOTOR-DAMPER HONEYWELL	78G6701	MOTOR-DAMPER 24V	1	1
B7	MOTOR-DAMPER SIEMENS	102691-02	MOTOR-ACTUATOR SIEMENS(OAD)	1	1
B7	MOTOR-DAMPER SIEMENS	102691-04	MOTOR-ACTUATOR SIEMENS(MODULATING)	1	1
R1	SENSOR	79J0901	MIXED AIR	1	1
	HARNESS, ECONOMIZER (J262A)	603533-01	HARNESS, ECONOMIZER (J262A)	1	1
	RESISTOR ASSEMBLY - SSC ECONO	102578-01	RESISTOR RESISTOR ASSEMBLY - SSC ECONO	1	1
S175	SENSOR SINGLE SENSIBLE CONTROL	102527-01	SENSOR SINGLE SENSIBLE CONTROL	1	1
Category:EXHAUST AIR DAMPER SECTION					
5	FAN	57A6601	"1/2"BORE,20"DIA,5 BLADE"	1	1

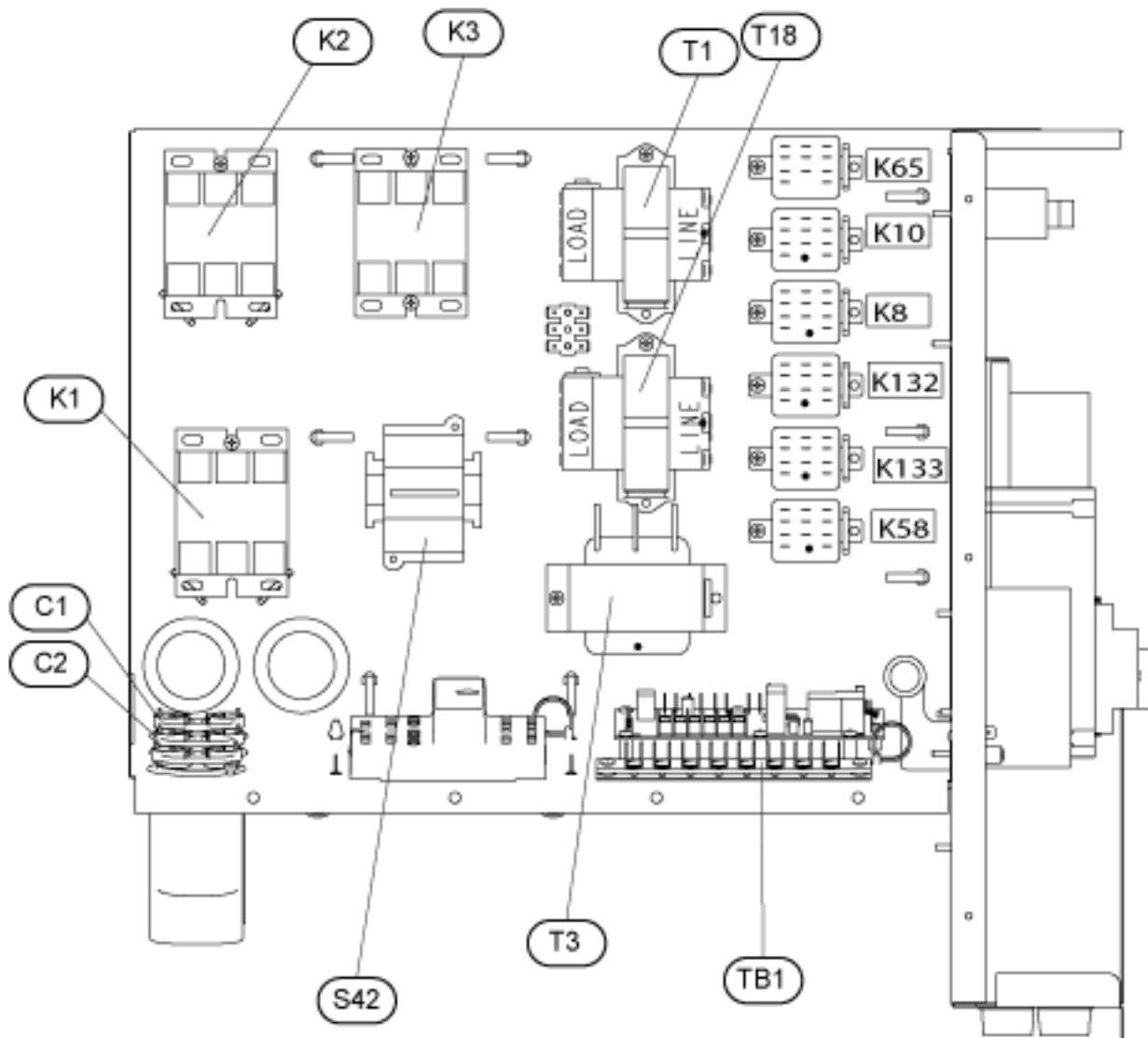
KCA102S4				DASH/Revision # with Qty	
Key	Part Name	Part Number	Description	1	2
	MOUNT-MOTOR	63K6701	MOUNT, MOTOR	1	1
4	MOTOR-FAN	79J8101	"1/3 HP,1050 RPM,208-230/60/1"	1	1
4	MOTOR-FAN	79J8201	"1/3/ HP,1050 RPM,460/60/1"	1	1
4	MOTOR-FAN	79J8301	"1/3 HP,1050 RPM,575/60/1"	1	1
C8	CAPACITOR	39H6101	CAPACITOR, RUN 10 @370V	1	1
Category:*OPTIONAL PARTS-FACTORY+ FIELD INSTALLED					
KIT 1	C1SNSR44B-1 SMOKE DETECTOR	603408-03	INCL NEXT 5 PARTS	1	1
	SMOKE DETECTOR D41 20 DUCT SMOKE DETECTOR	101738-01	SMOKE DETECTOR D4120 DUCT SMOKE E S/R	1	1
	SMOKE DETECTOR D4P 120 POWER BOARD	102326-01	POWER BOARD	1	1
	SMOKE DETECTOR D4S SENSOR COMPONENT	102325-01	SMOKE DETECTOR 24VAC	1	1
	SMOKE DETECTOR PHO TOELECTRIC	103447-01	SMOKE DETECTOR SENSOR HEAD	1	1
	TUBE-AIR DUCT SAMP LING 18 IN	102371-01	TUBE, DUCT SAMPLING 18" LONG	1	1
	TUBE-AIR DUCT SAMP LING 36 IN	102371-03	TUBE-AIR DUCT SAMPLING 36 IN	1	1

NOTE

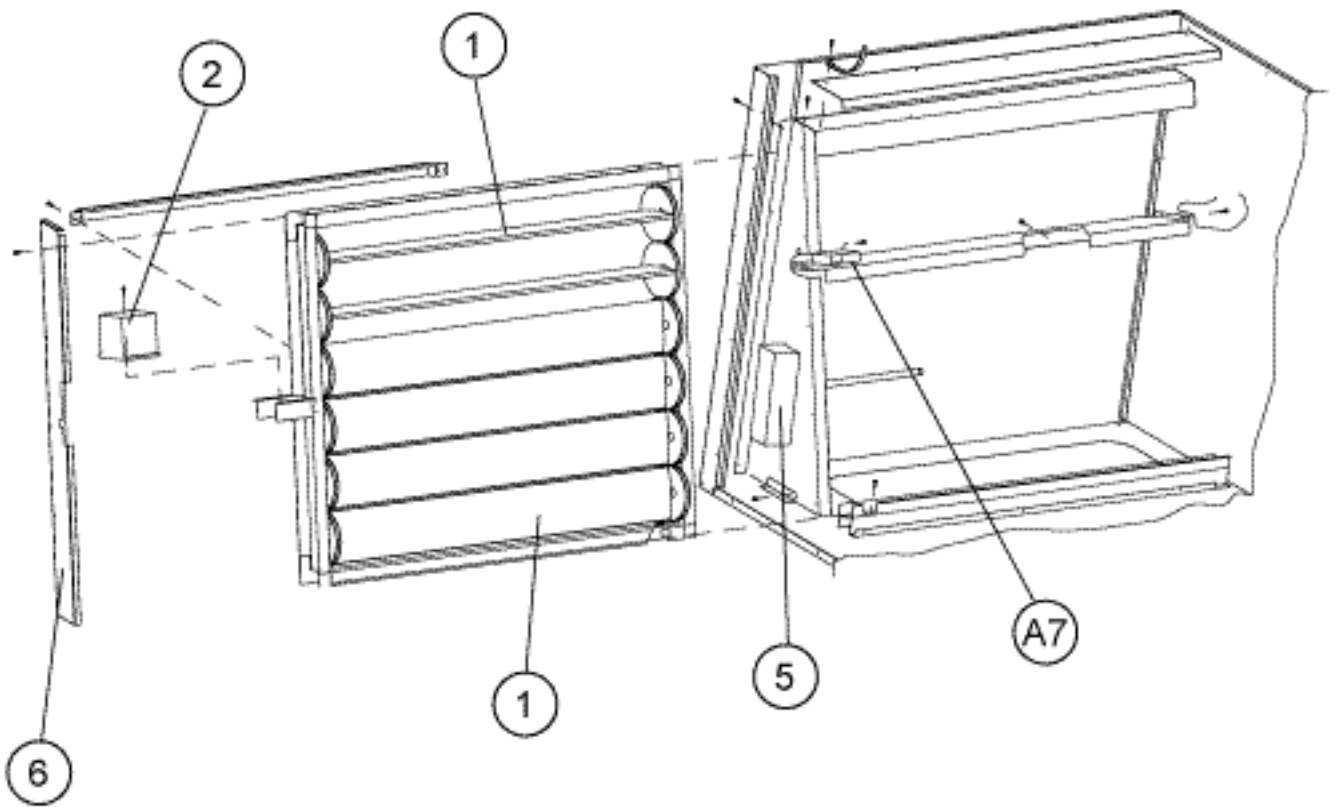
**KCA 092-150SERIES
BLOWER SECTION**



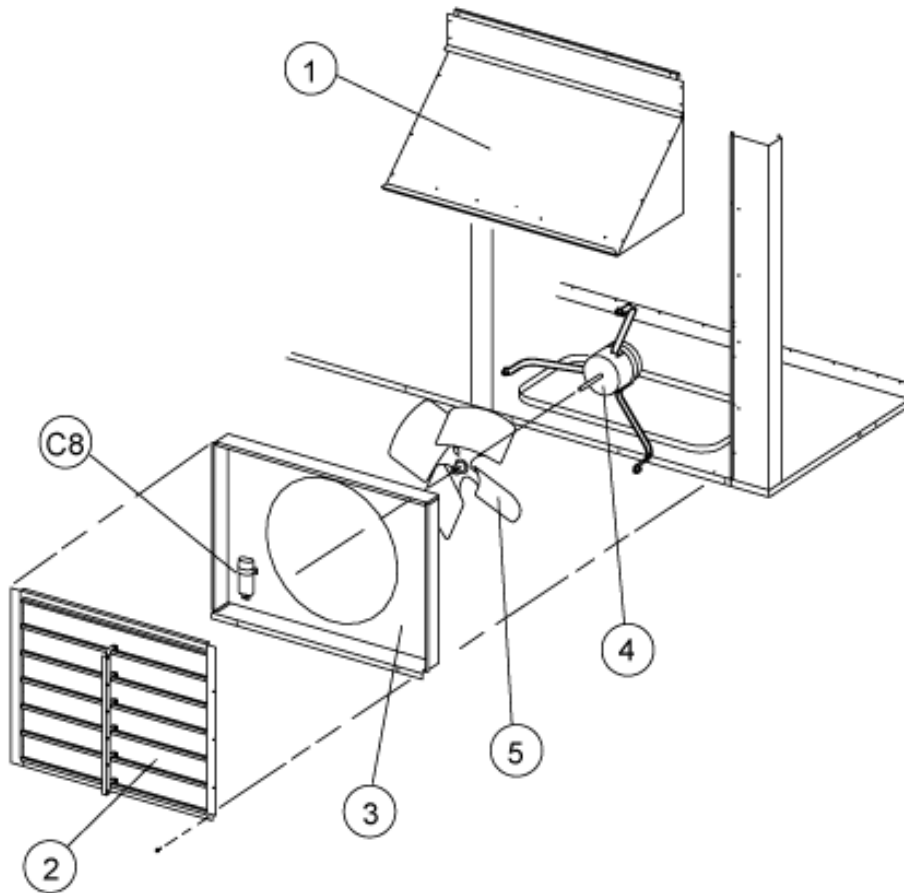
KCA 092-150 SERIES CONTROL BOX



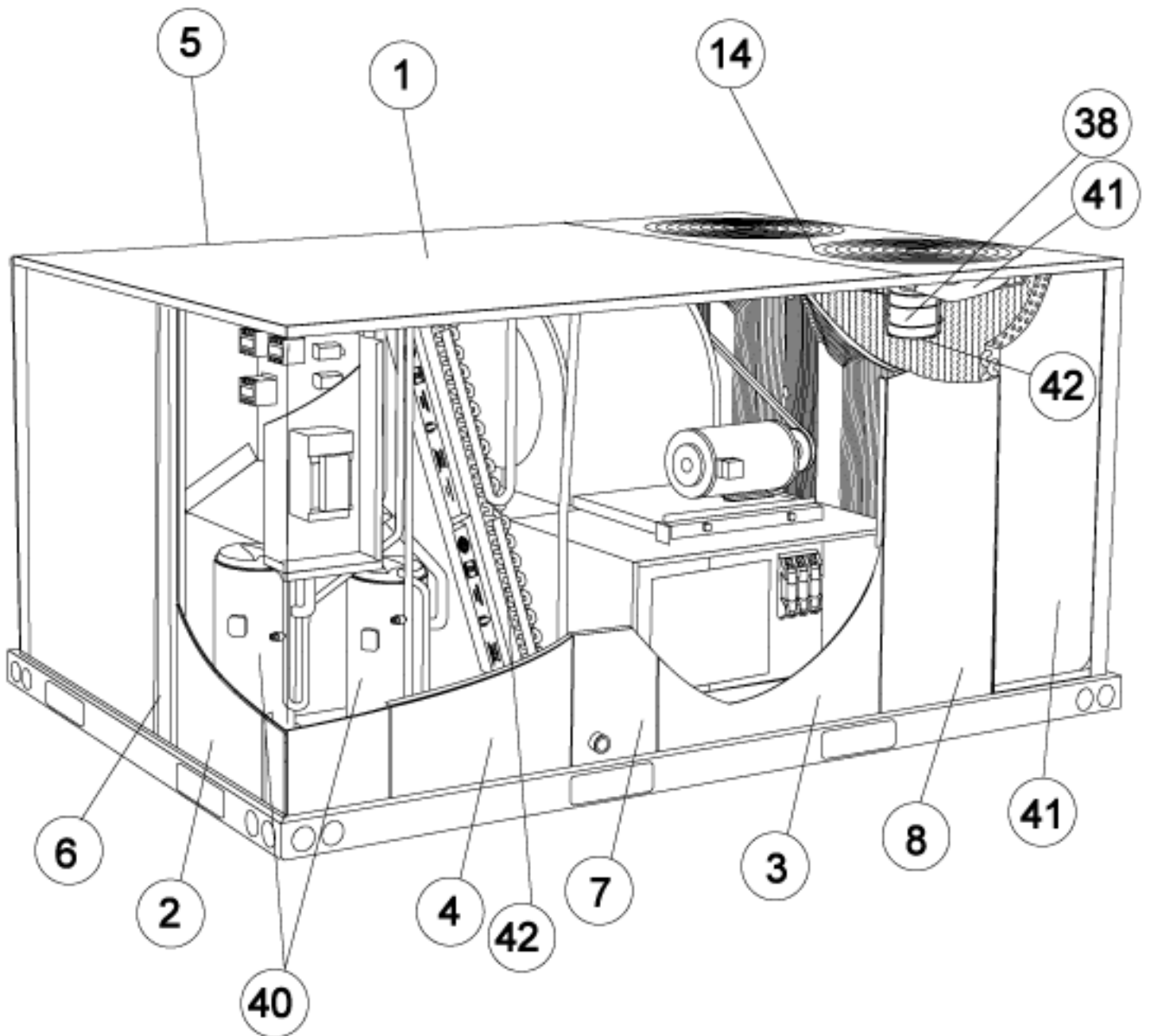
**KCA 092 -150 SERIES
DAMPER ASSEMBLY**



**KCA 092-150 SERIES
POWER EXHAUST**



KCA 092-150 SERIES



KCA120S4				DASH/Revision # with Qty		
Key	Part Name	Part Number	Description	1	2	3
Category:CABINET PARTS						
1	REPAIR PART TOP PANEL B BOX	600263-01	EVAP & COND ASSY (BEFORE 08/05/11)	1	1	
1	REPAIR PART TOP PANEL B-BOX	600263-04	EVAP & COND ASSY (AFTER 08/05/11)		1	1
13	MULLION - COND CORNER	608262-01	"COND CORNER,REAR			1
14	RING-ORIFICE	LB-100110B	REPAIR PARTS KIT;L SERIES ORIFICE	1	1	1
	GRILLE-DISCHARGE	21J3101	GRILLE, FAN GUARD	2	2	2
2	ACCESS PANEL NON HINGE OPTIONS	600436-01	COMP ACCESS (NON-HNGD)	1	1	1
2	PANEL-CONTROL ACCESS HINGED	603133-01	COMP ACCESS (HNGD)	1	1	1
3	ACCESS PANEL NON HINGE OPTIONS	600436-03	"BLR/HEAT ACCESS, (NON-HNGD)"	1	1	1
3	REPAIR PARTS ACCESS PANEL HINGE OPTIONS	603133-03	"BLR/HEAT ACCESS, (HNGD)"	1	1	1
4	ACCESS PANEL NON HINGE OPTIONS	600436-02	"FILTER ACCESS, (NON-HNGD)"	1	1	1
4	PANEL-FILTER ACCESS	603133-02	"FILTER ACCESS, (HNGD)"	1	1	1
5	Panel-Rear w/oSA/RA Cover	600426-02	REAR-W/O COVER (SA/RA)	1	1	1
5	Panel-Rear w/SA/RA Cover	600426-01	REAR-W/COVER (SA/RA)	1	1	1
	Cover-Rear SA/RA	600426-03	REAR (SA/RA)	1	1	1
6	MULLION - NON HINGE OPTIONS REPAIR PARTS	600614-01	ACCESSORIES (NON-HNGD)	1	1	1
6	MULLION-ACCESSORIES HINGE	603126-01	ACCESSORIES (HNGD)	1	1	1
7	MULLION - NON HINGE OPTIONS REPAIR PARTS	600614-02	DRAIN PAN (NON-HNGD)	1	1	1
7	MULLION-DRAIN PAN HINGE	603126-02	DRAIN PAN (HNGD)	1	1	1
8	MULLION - HEAT FRONT	600614-03	HEAT FRONT (NON-HNGD)	1	1	
8	MULLION - HEAT FRONT	600614-07	HEAT FRONT (NON-HNGD)			1
8	MULLION - HEAT FRONT	603126-03	HEAT FRONT (HNGD)	1	1	
8	MULLION - HEAT FRONT	603126-07	HEAT FRONT (HNGD)			1
	DRAIN TRAP KIT (COPPER)	LB-107882B	COPPER	1	1	1
	DRAIN TRAP KIT (PVC)	LB-107882A	PVC	1	1	1

KCA120S4				DASH/Revision # with Qty		
Key	Part Name	Part Number	Description	1	2	3
	FILTER, AIR 20X25X 2 MERV 4 06020252LM4	100509-04	FILTER AIR, 20X25X2 MERV 4	4	4	4
	HINGE	100595-01	ACCESS DOORS (2 PER DOOR)	6	6	6
	KIT-HANDLE	LB-95291B	"INC HANDLE,CAM,WASHER,SPRING"	1	1	1
	PANEL-ACCESSORIES	600426-04	ACC'Y ACCESS PNL NO OAD	1	1	1
9	MULLION	LB-109525	"COND CORNER,REAR"(BEFORE 08/2 9/11)	1	1	
	MULLION - COND COR NER	608262-01	"COND CORNER,REAR"(AFTER 08/29 /11)	1	1	
	MULLION / CORNER - DISCONNECT(2pcblk)	602049-01	MULLION / CORNER - DISCONNECT	1	1	1
Category:COOLING PARTS						
30	COMPRESSOR ZP51K5E -TFD-830 4.5T G	100040-27	"4.5TON,460/60/3,320-480/50/3C OPE"	2		
30	COMPRESSOR	100040-26	"4.5TON,208-230/60/3,COPE"	2		
30	COMPRESSOR	100040-28	"4.5TON,575/60/3,COPE"	2		
30	COMPRESSOR	102931-01	4.5TON,460/60/3,320-480/50/3,I NTERLINK		2	2
30	COMPRESSOR	102931-02	4.5TON,208-230/60/3,INTERLINK		2	2
30	COMPRESSOR	102931-03	4.5TON,575/60/3,INTERLINK		2	2
			RELAY-OVERLOADCOMP-INTERNAL	1	1	1
	COVER - TERMINAL	103023-01	COVER - TERMINAL		2	2
	GASKET, COMPRESSOR HARNESS	103022-01	GASKET COMPRESSOR HARNESS		2	2
	HARNESS - COMPRESS OR 40" INTERLINK	605430-01	HARNESS - COMPRESSOR 40" INTER LINK		2	2
	HARNESS - COMPRESS OR 60" INTERLINK	605430-06	HARNESS - COMPRESSOR 60" INTER LINK		2	2
	HARNESS-WIRING	LB-99231A	COMP- MOLDED PLUG	1		
	HEATER-CRANKCASE	100499-07	575V MOLDED PLUG	1		
	HEATER-CRANKCASE	100499-08	480V MOLDED PLUG	1		
	HEATER-CRANKCASE	100499-10	240V MOLDED PLUG	1		
	MOUNT PKG-COMP	74J3001PR	MOUNT PKG-COMP	1	1	1
32	COIL ASSY - OUTDOO R	604788-13	W/MANIFOLD,ENVIRON (MCHX)			1

KCA120S4				DASH/Revision # with Qty		
Key	Part Name	Part Number	Description	1	2	3
32	COIL ASSY-OUTDOOR	604788-03	W/MANIFOLD (TUBE & FIN)	1	1	
33	COIL ASSY - INDOOR (RFC)	604922-16	W/MANIFOLD (W/ RFC)			1
33	COIL ASSY-INDOOR	604922-05	W/MANIFOLD (W/ TXV)	1	1	
	ASSY-REPAIR PART R ESTRICTOR	103840-03	I.D. (W/ RFC)			1
	DISTRIBUTOR ASSEMBLY INDOOR	610469-10	I.D. (W/ RFC)			1
38	MOTOR-FAN	79J8101	"1/3HP,1075RPM,208-230/60/1"	2	2	2
38	MOTOR-FAN	79J8201	"1/3HP,1075RPM,460/60/1,380-420/50/1"	2	2	2
38	MOTOR-FAN	79J8301	"1/3HP,1075RPM,575/60/1"	2	2	2
	HARNESS, OD FAN POWER DIST	603466-01	O.D. FAN	1	1	1
41	FAN	100654-01	1/2"BORE,24"DIA,3 BLADE			2
41	FAN	65C6801	"1/2""BORE,24""DIA,3 BLADE"	2	2	
42	BRACKET	78L4101	MOUNT, MOTOR	2	2	2
	VALVE-EXPANSION	60M9901	VALVE, EXPANSION R410A	2	2	
43	PAN-DRAIN	101996-02	PAN - PLASTIC DRAIN	1	1	1
	CAP-SEAL	P-8-3187	CAP, BRASS	5	5	5
	COVER-THERMAL SWITCH	103048-02	THERMISTOR COVER SWITCH ASSEMBLY		2	2
	DRIER	38M7201	LIQUID LINE (R410A)	2		
	FITTING PRESS TAP	86G6401	FITTING, PRESSURE TAP	5	5	5
	SWITCH-HIGH PRESSURE MANUAL RESET	102448-01	CUT OUT 640PSIG (MANUAL RESET)	2		
	SWITCH-THERMAL	103048-01	THERMISTOR SWITCH ASSEMBLY		2	2
	VALVE CORE	P-8-1897	VALVE, CORE 8075910047	5	5	5
S11	SWITCH-LOW AMBIENT	102312-01	LO AMB OPEN 240PSIG, CLOSE 450 PSIG	1	1	
S4/S7	SWITCH-HI PRESS	103735-01	OPEN 640PSIG,MANUAL RESET			2
S4/S7	SWITCH-HIGH PRESSURE MANUAL RESET	102448-01	OPEN 640PSIG,MANUAL RESET		2	
S49	SWITCH-TEMP FREEZE STAT	102450-01	EVAP	2	2	2

KCA120S4				DASH/Revision # with Qty		
Key	Part Name	Part Number	Description	1	2	3
Category:ELECTRIC HEATING PARTS						
			FOR REPAIR PARTS REFER TO THE C1EH	1		
Category:CONTROL PANEL PARTS						
A183	KIT LVC2 REPAIR PA RT	103557-01	ASSY-P.C.BOARD LVC2 LANDMARK V FD CNT	1	1	1
A42	ASSY-P.C.BOARD PHA SE LOSS AND REVERSAL P	103316-01	ASSY-P.C.BOARD PHASE LOSS AND REVERSAL P	1	1	1
A96	607820-01 Control- Inverter 2 Hp, 230V	84W30	607820-01 Control-Inverter 2 Hp, 230V	1	1	1
A96	607820-02 Control- Inverter 2 Hp, 460V	84W31	607820-02 Control-Inverter 2 Hp, 460V	1	1	1
A96	607820-03 Control- Inverter 2 Hp, 575V	84W32	607820-03 Control-Inverter 2 Hp, 575V	1	1	1
A96	607820-04 Control- Inverter 3 Hp, 230V	84W33	607820-04 Control-Inverter 3 Hp, 230V	1	1	1
A96	607820-05 Control- Inverter 3 Hp, 460V	84W34	607820-05 Control-Inverter 3 Hp, 460V	1	1	1
A96	607820-06 Control- Inverter 3 Hp, 575V	84W35	607820-06 Control-Inverter 3 Hp, 575V	1	1	1
A96	607820-07 Control- Inverter 5 Hp, 230V	84W36	607820-07 Control-Inverter 5 Hp, 230V	1	1	1
A96	607820-08 Control- Inverter 5 Hp, 460V	84W37	607820-08 Control-Inverter 5 Hp, 460V	1	1	1
A96	607820-09 Control- Inverter 5 Hp, 575V	84W38	607820-09 Control-Inverter 5 Hp, 575V	1	1	1
	INVERTER CONTROL P ANEL	103368-01	INVERTER CONTROL PANEL TOUCH P AD	1	1	1
C1	CAPACITOR	39H6101	"O.D.FAN,10MFD,370VAC"	1	1	1
C1A	CAPACITOR	39H6101	"O.D.FAN,10MFD,370VAC"	1	1	1
C2	CAPACITOR	39H6301	"O.D.FAN,15MFD,370VAC (INTL)"	1	1	1
	COVER	29K2401	GFI	1	1	1
	COVER-DISCONNECT (ELECTRIC)(5pcblk)	601514-01	DISC BOX-W/DISC	1	1	1
	DISCONNECT COVER BOX (5 pcs blk)	604018-01	DISC BOX-NO DISC	1	1	1
	SWITCH-DISCONNECT	102536-01	150AMP	1	1	1
	SWITCH-DISCONNECT	93J3101	"600V,80AMP"	1	1	1
C2A	CAPACITOR	39H6301	"O.D.FAN,15MFD,370VAC (INTL)"	1	1	1
F4	BLOCK,FUSE	P-8-5848	50A-60A	1	1	1

KCA120S4				DASH/Revision # with Qty		
Key	Part Name	Part Number	Description	1	2	3
F4	BLOCK-FUSE	P-8-5847	70A-80A	1	1	1
F4	BLOCK-FUSE	P-8-7158	20A-30A	1	1	1
F4	BLOCK-FUSE	P-8-7159	35A-40A	1	1	1
	FUSE	P-8-1993	"DUAL ELEM 20A,600V"	3	3	3
	FUSE	P-8-2220	"DUAL ELEM 30A,600V"	3	3	3
	FUSE	P-8-401	"DUAL ELEM 50A,250V"	3	3	3
	FUSE	P-8-5813	"DUAL ELEM 25A,600V"	3	3	3
	FUSE	P-8-5849	"DUAL ELEM 35A,250V"	3	3	3
	FUSE	P-8-5851	"DUAL ELEM 70A,250V"	3	3	3
	FUSE	P-8-5852	"DUAL ELEM 60A,250V"	3	3	3
	FUSE	P-8-5853	"DUAL ELEM 40A,250V"	3	3	3
	FUSE	P-8-6937	"DUAL ELEM 80A,250V"	3	3	3
P246	HARNESS-WIRING	LB-115304A	HARNESS - P246/A96 CONTROL(VFD)	1	1	1
J247	HARNESS-WIRING	LB-115303A	HARNESS - J247/A96 CONT MULTI STAGE(VFD)	1	1	1
K1	CONTACTOR-3PDT 25F LA/35RES	100438-03	"COMP 1,3PDT,24V"	1	1	1
K10	RELAY	67K6501	"FAN,DPDT,24V"	1	1	1
K2	CONTACTOR-3PDT 25F LA/35RES	100438-03	"COMP 2,3PDT,24V"	1	1	1
K232	RELAY	67K6501	RELAY	1	1	1
K3	CONTACTOR	60M1201	"BLR-3PDT,24V"	1	1	1
K65	RELAY	67K6501	"EXHAUST FAN,DPDT,24V"	1	1	1
K8	RELAY	67K6501	"TRANSFER,DPDT,24V"	1	1	1
S42	PROTECTOR-OVLD	99K3201	BLR MTR OVLD-(4-6 AMPS)	1	1	1
S42	RELAY	99K3001	BLR MTR OVLD-(7-10 AMPS)	1	1	1
S42	RELAY	99K3101	BLR MTR OVLD-(2.5-4.0 AMPS)	1	1	1
S52	SWITCH-PRESSURE (B LOWER PROVING)	102324-02	SWITCH-PRESSURE (BLOWER PROVING)	1	1	1

KCA120S4				DASH/Revision # with Qty		
Key	Part Name	Part Number	Description	1	2	3
	FITTING TOTAL PRESS SENSING BARB 90 SNAP	102392-01	FITTING TOTAL PRESS SENSING BARB 90 SNAP	1	1	1
T1	TRANSFORMER	51M4401	"208/240V & 380/420V PRI, 24V SEC,70VA"	1	1	1
T1	TRANSFORMER	51M4501	"480V PRI,24V SEC,70VA"	1	1	1
T1	TRANSFORMER	51M4601	"600V PRI,24V SEC,70VA"	1	1	1
TB1	STRIP-TERMINAL	100669-01	STRIP, TERMINAL	1	1	1
TB13	WIRING BLOCK, TERMINAL	103319-01	WIRING BLOCK, TERMINAL	1	1	1
Category: BLOWER PARTS						
51	MOTOR-BLOWER	101501-01	"3HP,1725RPM,208-230/60/3"	1	1	1
51	MOTOR-BLOWER	101501-02	"3HP,1725RPM,460/60/3"	1	1	1
51	MOTOR-BLOWER	101678-01	"5HP,1725RPM,208-230/60/3"	1	1	1
51	MOTOR-BLOWER	101678-02	"5HP,1725RPM,460/60/3"	1	1	1
51	MOTOR-BLOWER	23G4001	"2HP,1725RPM,200-230/460/60/3"	1	1	1
51	MOTOR-BLOWER	43G3201	"3HP,1725RPM,575/60/3"	1	1	1
51	MOTOR-BLOWER	49A4301	"2HP,1425RPM,380-420/50/3"	1	1	1
51	MOTOR-BLOWER	49A4401	"3HP,1425RPM,380-420/50/3"	1	1	1
51	MOTOR-BLOWER	49A4501	"5HP,1425RPM,380-420/50/3"	1	1	1
51	MOTOR-BLOWER	P-8-5685	"2HP,1725RPM,575/60/3"	1	1	1
51	MOTOR-BLOWER	P-8-5702	"5HP,1725RPM,575/60/3"	1	1	1
	HARNESS-WIRING	LB-110569A	BLR MTR-(3 PH)	1	1	1
	HARNESS-WIRING	LB-110569B	BLR MTR-(INTL)	1	1	1
	HARNESS-WIRING	LB-111905A	"BLR MTR-K3,S42(INTL)"	1	1	1
54	BRACKET-MOUNTING BEARING	102272-01	BEARING	2	2	2
55	HOUSING-BLOWER	604790-01	BLOWER HOUSING NON-PAINTED	1	1	1
55	HOUSING-BLOWER	604790-02	PAINTED	1	1	1
	BLOWER SLIDE RAILS	600907-01	BLOWER SLIDE RAILS	2	2	2

KCA120S4				DASH/Revision # with Qty		
Key	Part Name	Part Number	Description	1	2	3
	PLATE-CUTOFF	LB-66131	PLATE, CUTOFF L SERIES(STUTT)	1	1	1
	PLATE-CUTOFF	LB-66131CP	PAINTED	1	1	1
	SEAL - BLOWER	602677-01	SEAL - BLOWER	2		
56	WHEEL-BLOWER	LB-29333BCJ	"1" BORE,15" X 15"	1	1	1
	KEY	LB-66258	BLR WHEEL	1	1	1
57	SHAFT-BLOWER	93J8601	"1" DIA,24" LONG	1	1	1
	KEY	LB-21259D	BLR WHEEL-SHAFT	1	1	1
58	BEARING RUBRB-116 SK2430 LX5	100639-02	"1" BORE"	2	2	2
66	PULLEY-MOTOR	100239-07	1-1/8"BORE,4.15 O.D.(PKG 7)	1	1	1
66	PULLEY-MOTOR	31K6901	7/8"BORE,3.15 O.D.(PKG 1,3)	1	1	1
66	PULLEY-MOTOR	79J0301	7/8"BORE,3.75 O.D.(PKG 2)	1	1	1
66	PULLEY-MOTOR	P-8-1488	7/8"BORE,4.15 O.D.(PKG 4)	1	1	1
66	PULLEY-MOTOR	P-8-1977	1-1/8"BORE,4.75 O.D. (PKG 8,9, 10,11,12)	1	1	1
66	PULLEY-MOTOR	P-8-2187	7/8"BORE,4.75 O.D.(PKG 5,6)	1	1	1
67	BELT	100245-11	BX56 (PKG 12)	1	1	1
67	BELT	100245-25	AX54 (PKG 1)	1	1	1
67	BELT	100245-26	AX55 (PKG 2)	1	1	1
67	BELT	100245-28	AX57 (PKG 6,9)"	1	1	1
67	BELT	100245-33	AX52 (PKG 3)	1	1	1
67	BELT	100245-34	AX58 (PKG 4,5,7,8)"	1	1	1
67	BELT	59A5001	BX59 (PKG 10)	1	1	1
67	BELT	78L5301	BX57 (PKG 11)	1	1	1
69	PULLEY-BLOWER	100244-17	1"BORE,4.45 O.D.(PKG 3)	1	1	1
69	PULLEY-BLOWER	100244-20	1"BORE,5.95 O.D.(PKG 1)	1	1	1
69	PULLEY-BLOWER	100244-21	1"BORE,7.25 O.D.(PKG 4,7)	1	1	1

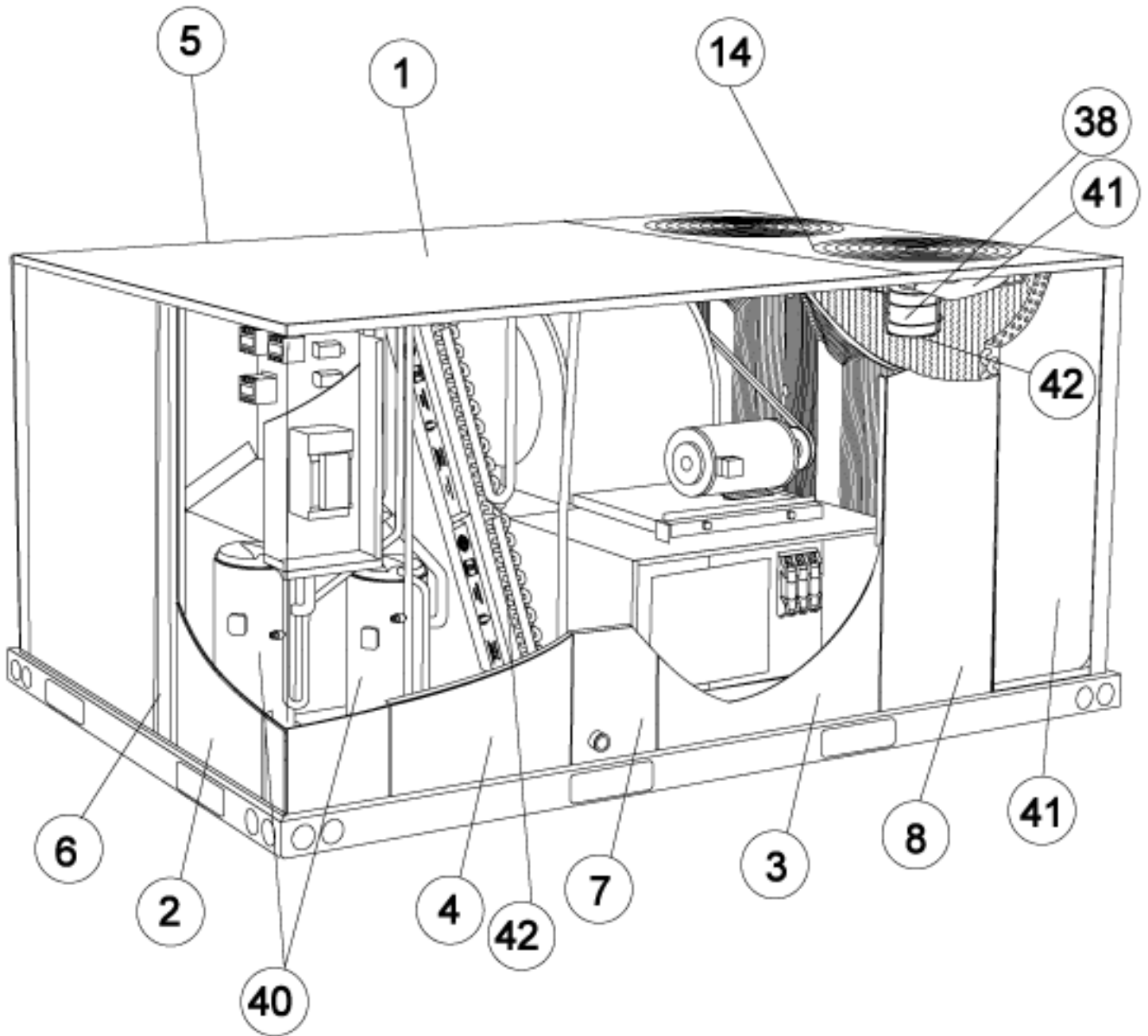
KCA120S4				DASH/Revision # with Qty		
Key	Part Name	Part Number	Description	1	2	3
69	PULLEY-BLOWER	100244-23	1"BORE,5.95 O.D.(PKG 12)	1	1	1
69	PULLEY-BLOWER	100244-24	1"BORE,6.45 O.D.(PKG 11)	1	1	1
69	PULLEY-BLOWER	12L2501	1"BORE,6.25 O.D.(PKG 6,9)	1	1	1
69	PULLEY-BLOWER	31K6801	1"BORE,5.75 O.D.(PKG 2)	1	1	1
69	PULLEY-BLOWER	37L4701	1"BORE,6.75 O.D.(PKG 5,8)	1	1	1
69	PULLEY-BLOWER	49K4001	1"BORE,7.45 O.D.(PKG 10)	1	1	1
	HARNESS, BLOWER MOTOR	600768-01	HARNESS, BLOWER MTR (Y-G-J)(NO N VFD)	1	1	1
	HARNESS, BLOWER MOTOR	601655-01	HARNESS, BLOWER MOTOR (M)	1	1	1
	HARNESS, MSAV BLOWER MOTOR	606720-01	HARNESS, BLOWER MOTOR (VFD)(Y-G-J)	1	1	1
	TENSIONER ASSY B BOX	604235-05	INCLUDES TENSIONER, BRKT PLATE SPACE	1	1	1
75	BLR SIDE FRAME & MTR MTG PLATE	604791-01	W/O TENSIONER (BEFORE 01/11)	1	1	
75	BLR SIDE FRAME & MTR MTG PLATE	604791-03	W/TENSIONER (BEFORE 01/11)	1	1	
75	BLR SIDE FRAME & MTR MTG PLATE	604791-05	W/O TENSIONER (AFTER 01/11)	1	1	1
75	BLR SIDE FRAME & MTR MTG PLATE	604791-07	W/TENSIONER (AFTER 01/11)	1	1	1
	PLATE-MOTOR MOUNTING	604791-02	W/O TENSIONER (BEFORE 01/11)	1	1	
	PLATE-MOTOR MOUNTING	604791-04	W/TENSIONER (BEFORE 01/11)	1	1	
	PLATE-MOTOR MOUNTING	604791-06	W/O TENSIONER (AFTER 01/11)	1	1	1
	PLATE-MOTOR MOUNTING	604791-08	W/TENSIONER (AFTER 01/11)	1	1	1
Category:ECONOMIZER SECTION						
	FILTER	48J0101	FILTER OAH (16" X 25" X 1") WASHABLE	2	2	2
	FRESH AIR HOOD PKG ASSY B BOX	603429-01	FRESH AIR HOOD & EXHAUST	1	1	1
	GRAVITY EXHAUST DAMPER B BOX	602745-01	GRAVITY EXHAUST DAMPER B BOX	1	1	1
1	DAMPER ASSY	100948-01	ECONOMIZER KIT ASSY(16W89)	1	1	1
1	DAMPER ASSY	100949-01	MANUAL OAD ASSY(16W91)	1	1	1
1	DAMPER ASSY	100950-01	MOTORIZED OAD ASSY(16W92)	1	1	1

KCA120S4				DASH/Revision # with Qty		
Key	Part Name	Part Number	Description	1	2	3
	HOOD	100855-01	ECONOMIZER - HOOD KIT	1	1	1
A6	CONTROLLER	60M1001	ECON-ENTHALPY	1	1	1
A7	SENSOR	54G4401	ENTHALPY-OUT-DOOR	1	1	1
B7	MOTOR-DAMPER HONEYWELL	102537-01	24V (MODULATING)(HONEYWELL)	1	1	1
B7	MOTOR-DAMPER HONEYWELL	78G6701	MOTOR-DAMPER 24V	1	1	1
B7	MOTOR-DAMPER SIEMENS	102691-02	MOTOR-ACTUATOR SIEMENS(OAD)	1	1	1
B7	MOTOR-DAMPER SIEMENS	102691-04	MOTOR-ACTUATOR SIEMENS(MODULATING)	1	1	1
R1	SENSOR	79J0901	MIXED AIR	1	1	1
	HARNESS, ECONOMIZER (J262A)	603533-01	HARNESS, ECONOMIZER (J262A)	1	1	1
	RESISTOR ASSEMBLY - SSC ECONO	102578-01	RESISTOR RESISTOR ASSEMBLY - SSC ECONO	1	1	1
S175	SENSOR SINGLE SENSIBLE CONTROL	102527-01	SENSOR SINGLE SENSIBLE CONTROL	1	1	1
Category:EXHAUST AIR DAMPER SECTION						
5	FAN	101610-01	"1/2""BORE,20""DIA,5 BLADE"		1	1
4	MOTOR-FAN	101611-01	"3/4 HP,1050 RPM,208-230/60/1"		1	1
4	MOTOR-FAN	101611-02	"3/4 HP,1050 RPM,460/60/1"		1	1
4	MOTOR-FAN	101611-03	"3/4 HP,1050 RPM,575/60/1"		1	1
	BLOCK-FUSE	10G5901	2 POLE		1	1
	FUSE	10G6001	FUSE 9A		1	1
	MOUNT-MOTOR	101612-01	MOTOR MOUNT		1	1
	MOUNT-MOTOR	63K6701	MOUNT, MOTOR	1		
4	MOTOR-FAN	79J8101	"1/3 HP,1050 RPM,208-230/60/1"	1		
4	MOTOR-FAN	79J8201	"1/3 HP,1050 RPM,460/60/1"	1		
4	MOTOR-FAN	79J8301	"1/3 HP,1050 RPM,575/60/1"	1		
5	FAN	57A6601	"1/2""BORE,20""DIA,5 BLADE"	1		
	CAPACITOR	39H6101	CAPACITOR, RUN 10 @370V	1	1	1

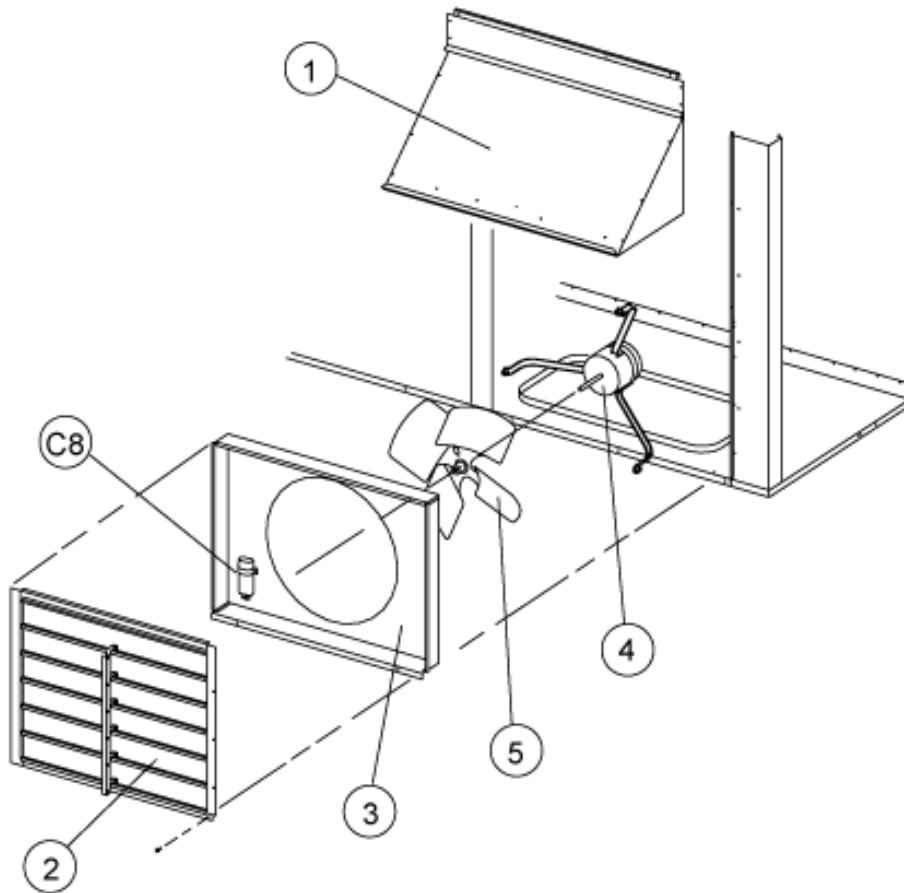
KCA120S4				DASH/Revision # with Qty		
Key	Part Name	Part Number	Description	1	2	3
Category:*OPTIONAL PARTS-FACTORY+ FIELD INSTALLED						
KIT 1	C1SNSR44B-1 SMOKE DETECTOR	603408-03	SUPPLY & RETURN (INCLUDES NEXT 8 PARTS)	1	1	1
	BRACKET, SD POWER BOARD	606620-01	BRACKET, SD POWER BOARD	1	1	1
	BRACKET-SMOKE DETECTOR (4 pc blk)	602035-01	SENSOR BRACKET	1	1	1
	HARNESS - JUMPER SMOKE DETECTOR SUPPLY	604374-01	HARNESS - JUMPER SMOKE DETECTOR SUPPLY	1	1	1
	SMOKE DETECTOR D4P 120 POWER BOARD	102326-01	POWER BOARD	1	1	1
	SMOKE DETECTOR D4S SENSOR COMPONENT	102325-01	SMOKE DETECTOR 24VAC	1	1	1
	SMOKE DETECTOR PHOTOELECTRIC	103447-01	SMOKE DETECTOR SENSOR HEAD	1	1	1
	TUBE-AIR DUCT SAMPLING 18 IN	102371-01	TUBE, DUCT SAMPLING 18" LONG	1	1	1
	TUBE-AIR DUCT SAMPLING 36 IN	102371-03	TUBE-AIR DUCT SAMPLING 36 IN	1	1	1
KIT 2	HI PRESS SWITCH KIT	LB-107318T	INCL NEXT 2 PARTS		1	1
	HARNESS-WIRING	LB-112428A	HIGH PRESSURE TG, TC HARNESS		1	1
	SWITCH-HI PRESS	10M5101	CUT OUT 450PSIG		1	1
KIT 3	LOW AMBIENT KIT	LB-107318AJ	INCL NEXT 3 PARTS		1	1
	HARNESS-WIRING	LB-112429B	HARNESS, LOW AMBIENT TC, TG, - G, J, M		1	1
	RELAY	56L6801	"SPDT,24V"		1	1
	SWITCH-LO AMBIENT	38M7801	SWITCH, PRESSURE LOW AMBIENT R 410A		1	1

NOTE

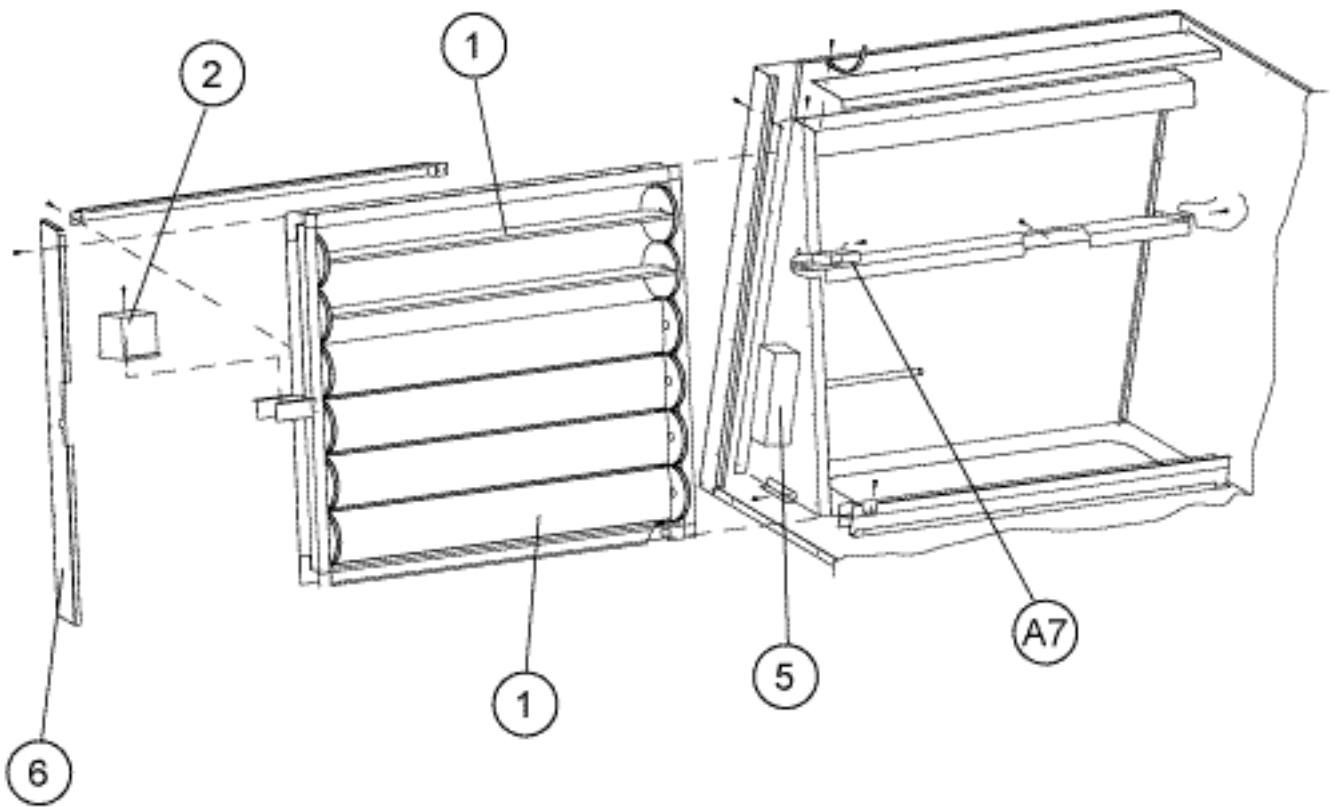
KCA 092-150 SERIES



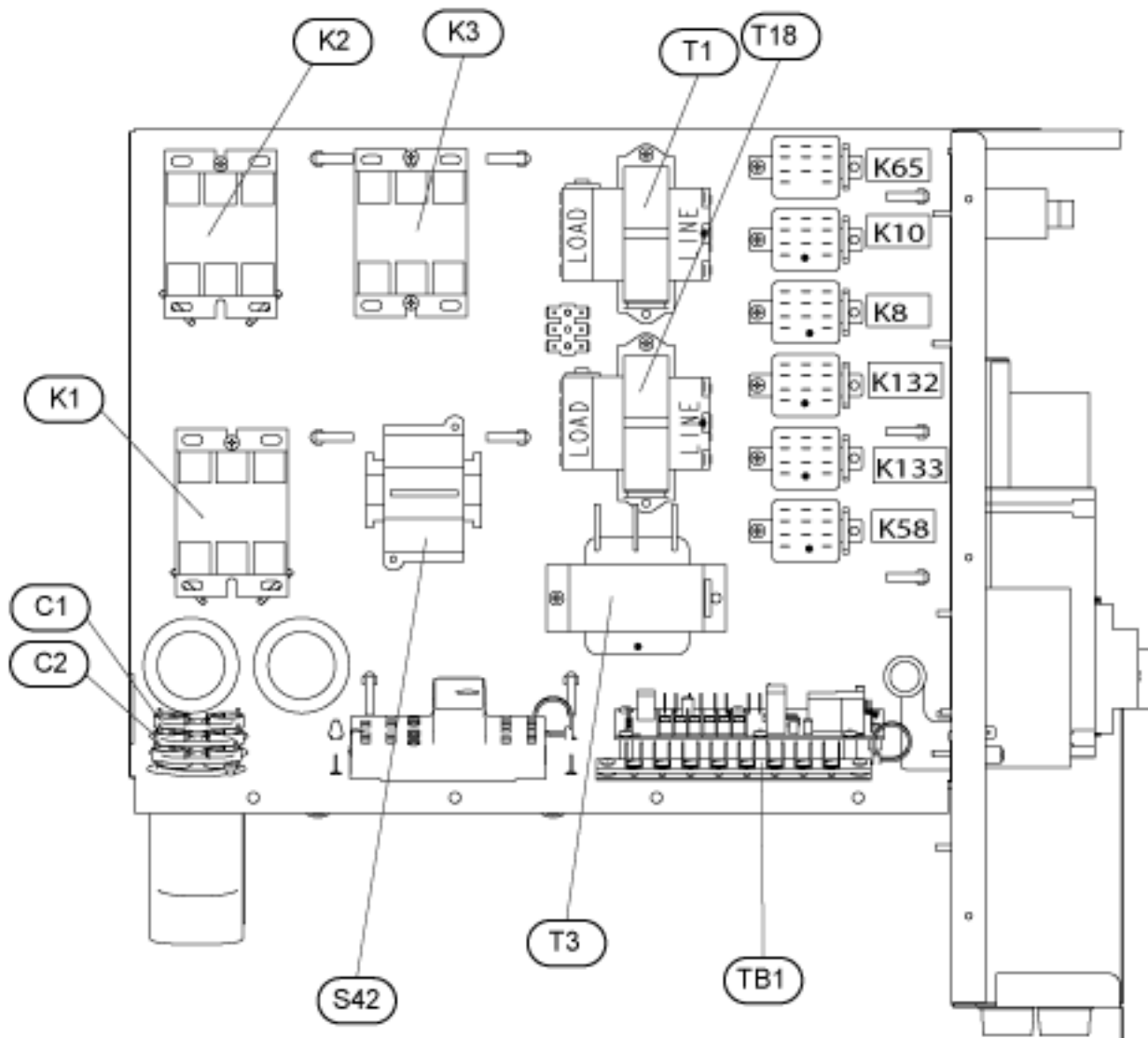
**KCA 092-150 SERIES
POWER EXHAUST**



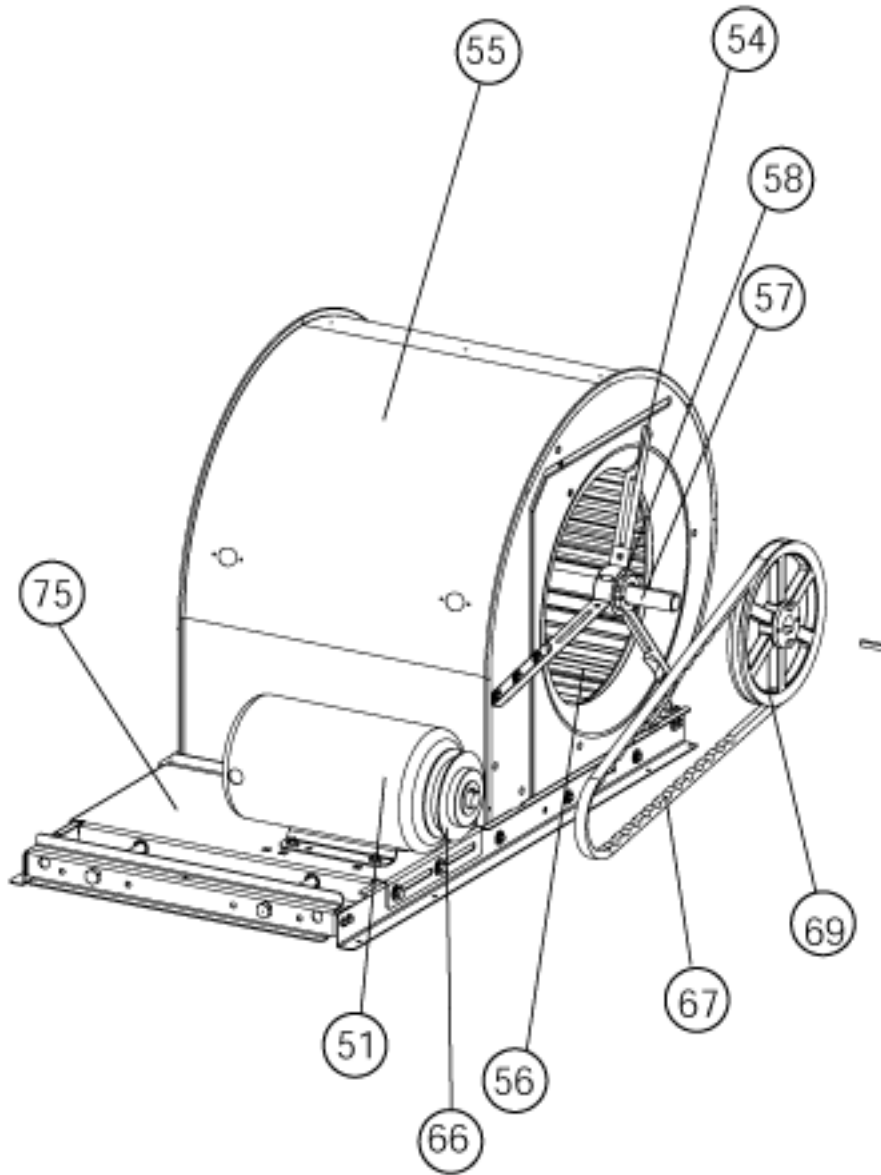
**KCA 092 -150 SERIES
DAMPER ASSEMBLY**



KCA 092-150 SERIES CONTROL BOX



**KCA 092-150SERIES
BLOWER SECTION**



KCA150S4				DASH/Revision # with Qty	
Key	Part Name	Part Number	Description	1	2
Category:CABINET PARTS					
1	REPAIR PART TOP PANEL B BOX	600263-01	EVAP & COND ASSY (BEFORE 08/05/11)	1	
1	REPAIR PART TOP PANEL B-BOX	600263-04	EVAP & COND ASSY (AFTER 08/05/11)	1	1
13	MULLION - COND CORNER	608262-01	"COND CORNER,REAR		1
14	RING-ORIFICE	LB-100110B	1 PC ASSY	1	1
	GRILLE-DISCHARGE	21J3101	GRILLE, FAN GUARD	2	2
2	ACCESS PANEL NON HINGE OPTIONS	600436-01	COMP ACCESS (NON-HNGD)	1	1
2	PANEL-CONTROL ACCESS HINGED	603133-01	COMP ACCESS (HNGD)	1	1
3	ACCESS PANEL NON HINGE OPTIONS	600436-03	"BLR/HEAT ACCESS, (NON-HNGD)"	1	1
3	REPAIR PARTS ACCESS PANEL HINGE OPTIONS	603133-03	"BLR/HEAT ACCESS, (HNGD)"	1	1
4	ACCESS PANEL NON HINGE OPTIONS	600436-02	"FILTER ACCESS, (NON-HNGD)"	1	1
4	PANEL-FILTER ACCESS	603133-02	"FILTER ACCESS, (HNGD)"	1	1
5	Panel-Rear w/oSA/RA Cover	600426-02	REAR-W/O COVER (SA/RA)	1	1
5	Panel-Rear w/SA/RA Cover	600426-01	REAR-W/COVER (SA/RA)	1	1
	Cover-Rear SA/RA	600426-03	REAR (SA/RA)	1	1
6	MULLION - NON HINGE OPTIONS REPAIR PARTS	600614-01	ACCESSORIES (NON-HNGD)	1	1
6	MULLION-ACCESSORIES HINGE	603126-01	ACCESSORIES (HNGD)	1	1
7	MULLION - NON HINGE OPTIONS REPAIR PARTS	600614-02	DRAIN PAN (NON-HNGD)	1	1
7	MULLION-DRAIN PAN HINGE	603126-02	DRAIN PAN (HNGD)	1	1
8	MULLION - HEAT FRONT	600614-03	HEAT FRONT (NON-HNGD)	1	
8	MULLION - HEAT FRONT	600614-07	HEAT FRONT (NON-HNGD)		1
8	MULLION - HEAT FRONT	603126-03	HEAT FRONT (HNGD)	1	
8	MULLION - HEAT FRONT	603126-07	HEAT FRONT (HNGD)		1
	DRAIN TRAP KIT (COPPER)	LB-107882B	COPPER	1	1
	DRAIN TRAP KIT (PVC)	LB-107882A	PVC	1	1

KCA150S4				DASH/Revision # with Qty	
Key	Part Name	Part Number	Description	1	2
	FILTER, AIR 20X25X 2 MERV 4 06020252LM4	100509-04	FILTER AIR, 20X25X2 MERV 4	4	4
	HINGE	100595-01	ACCESS DOORS (2 PER DOOR)	6	6
	KIT-HANDLE	LB-95291B	"INC HANDLE,CAM,WASHER,SPRING"	1	1
	PANEL-ACCESSORIES	600426-04	ACC'Y ACCESS PNL NO OAD	1	1
9	MULLION	LB-109525	"COND CORNER,REAR"(BEFORE 08/2 9/11)	1	
	MULLION - COND COR NER	608262-01	"COND CORNER,REAR"(AFTER 08/29 /11)	1	
	MULLION / CORNER - DISCONNECT(2pcblk)	602049-01	MULLION / CORNER - DISCONNECT	1	1
Category:COOLING PARTS					
30	COMPRESSOR ZP61KCE -TF5-130	100227-11	"5TON,208-230/60/3,COPE"	2	2
30	COMPRESSOR ZP61KCE -TFD-130	100227-12	"5TON,460/60/3,320-480/50/3COP E"	2	2
30	COMPRESSOR ZP61KCE -TFE-130	100227-13	"5TON,575/60/3,COPE"	2	2
			RELAY-OVERLOADCOMP-INTERNAL	1	1
	HARNESS-WIRING	LB-99231A	COMP- MOLDED PLUG	1	1
	HEATER-CRANKCASE	100499-07	(575V)MOLDED PLUG	1	1
	HEATER-CRANKCASE	100499-08	(480V)MOLDED PLUG	1	1
	HEATER-CRANKCASE	100499-10	(240V)MOLDED PLUG	1	1
	MOUNT PKG-COMP	74J3001PR	MOUNT PKG-COMP	1	1
32	COIL ASSY - OUTDOO R	604788-04	W/MANIFOLD,ENVIRON (MCHX)		1
32	COIL ASSY - OUTDOO R	604788-11	W/MANIFOLD (TUBE & FIN)	1	
33	COIL ASSY - INDOOR	604922-06	W/MANIFOLD (W/ TXV)	1	
33	COIL ASSY - INDOOR (RFC)	604922-17	W/MANIFOLD (W/ RFC)		1
	ASSY-REPAIR PART R ESTRICTOR	103840-04	I.D (W/ RFC)		1
	DISTRIBUTOR ASSEMB LY W/O REHEAT W/MCHX	610469-11	I.D (W/ RFC)		1
38	MOTOR-FAN	27J0701	"1/2HP,1075RPM,460/60/1,380-42 0/50/1"	2	2
38	MOTOR-FAN	27J3001	"1/2HP,1075RPM,208-230/60/1"	2	2

KCA150S4				DASH/Revision # with Qty	
Key	Part Name	Part Number	Description	1	2
38	MOTOR-FAN	27J3101	"1/2HP,1075RPM,575/60/1"	2	2
	HARNESS, OD FAN POWER DIST	603466-01	O.D. FAN	1	1
	SHIELD-RAIN	P-8-6142	SHIELD, RAIN (J-VOLT)	2	2
41	BLADE, FAN ASSY (3 BLADES) 24" B-8.75REF	100654-02	"1/2""BORE,24""DIA,3 BLADE"	2	2
42	BRACKET	78L4101	BRACKET-MTR MTG	2	2
43	PAN-DRAIN	101996-02	PAN - PLASTIC DRAIN	1	1
	CAP-SEAL	P-8-3187	CAP, BRASS	5	5
	DRIER	38M7201	LIQUID LINE (R410A)	2	2
	FITTING PRESS TAP	86G6401	FITTING, PRESSURE TAP	5	5
	VALVE CORE	P-8-1897	VALVE, CORE 8075910047	5	5
	VALVE-EXPANSION	100233-02	VALVE, EXPANSION (R410A, 6 TON)	2	
S11	SWITCH-HIGH PRESSURE MANUAL RESET	102448-01	CUT OUT 640PSIG (MANUAL RESET)	1	1
S4/S7	SWITCH-HI PRESS	103735-01	OPEN 640PSIG,MANUAL RESET		2
S4/S7	SWITCH-HIGH PRESSURE	102311-01	OPEN 640PSIG,MANUAL RESET	2	2
	SWITCH-HIGH PRESSURE	102311-01	OPEN 640PSIG,MANUAL RESET	2	2
S48	SWITCH-LOW AMBIENT	102312-02	LO AMB OPEN 240PSIG, CLOSE 450 PSIG	1	1
S49	SWITCH-TEMP FREEZE STAT	102450-01	EVAP	2	2
Category:ELECTRIC HEATING PARTS					
			FOR REPAIR PARTS REFER TO THE C1EH	1	1
Category:CONTROL PANEL PARTS					
A183	KIT LVC2 REPAIR PART	103557-01	ASSY-P.C.BOARD LVC2 LANDMARK VFD CNT	1	1
A42	ASSY-P.C.BOARD PHASE LOSS AND REVERSAL P	103316-01	ASSY-P.C.BOARD PHASE LOSS AND REVERSAL P	1	1
A96	607820-01 Control-Inverter 2 Hp, 230V	84W30	607820-01 Control-Inverter 2 Hp, 230V	1	1
A96	607820-02 Control-Inverter 2 Hp, 460V	84W31	607820-02 Control-Inverter 2 Hp, 460V	1	1
A96	607820-03 Control-Inverter 2 Hp, 575V	84W32	607820-03 Control-Inverter 2 Hp, 575V	1	1

KCA150S4				DASH/Revision # with Qty	
Key	Part Name	Part Number	Description	1	2
A96	607820-04 Control-Inverter 3 Hp, 230V	84W33	607820-04 Control-Inverter 3 Hp, 230V	1	1
A96	607820-05 Control-Inverter 3 Hp, 460V	84W34	607820-05 Control-Inverter 3 Hp, 460V	1	1
A96	607820-06 Control-Inverter 3 Hp, 575V	84W35	607820-06 Control-Inverter 3 Hp, 575V	1	1
A96	607820-07 Control-Inverter 5 Hp, 230V	84W36	607820-07 Control-Inverter 5 Hp, 230V	1	1
A96	607820-08 Control-Inverter 5 Hp, 460V	84W37	607820-08 Control-Inverter 5 Hp, 460V	1	1
A96	607820-09 Control-Inverter 5 Hp, 575V	84W38	607820-09 Control-Inverter 5 Hp, 575V	1	1
	INVERTER CONTROL PANEL	103368-01	INVERTER CONTROL PANEL TOUCH PAD	1	1
C1/C2	CAPACITOR	39H6101	O.D.FAN,10 MFD,370VAC(575V)	1	1
C1/C2	CAPACITOR	39H6201	O.D.FAN,12.5 MFD,370VAC(460V,INTL)	1	1
C1/C2	CAPACITOR	39H6301	O.D.FAN,15 MFD,370VAC(208/230V)	1	1
	COVER	29K2401	GFI	1	1
	COVER-DISCONNECT (ELECTRIC)(5pcblk)	601514-01	DISC BOX-W/DISC	1	1
	DISCONNECT COVER BOX (5 pcs blk)	604018-01	DISC BOX-NO DISC	1	1
	SWITCH-DISCONNECT	102536-01	150AMP	1	1
	SWITCH-DISCONNECT	93J3101	"600V,80AMP"	1	1
F4	BLOCK,FUSE	P-8-5848	50A-60A	1	1
F4	BLOCK-FUSE	P-8-5847	70A-80A	1	1
F4	BLOCK-FUSE	P-8-7158	20A-30A	1	1
F4	BLOCK-FUSE	P-8-7159	35A-40A	1	1
	FUSE	P-8-1993	"DUAL ELEM 20A,600V"	3	3
	FUSE	P-8-2220	"DUAL ELEM 30A,600V"	3	3
	FUSE	P-8-401	"DUAL ELEM 50A,250V"	3	3
	FUSE	P-8-5813	"DUAL ELEM 25A,600V"	3	3
	FUSE	P-8-5849	"DUAL ELEM 35A,250V"	3	3
	FUSE	P-8-5851	"DUAL ELEM 70A,250V"	3	3

KCA150S4				DASH/Revision # with Qty	
Key	Part Name	Part Number	Description	1	2
	FUSE	P-8-5852	"DUAL ELEM 60A,250V"	3	3
	FUSE	P-8-5853	"DUAL ELEM 40A,250V"	3	3
	FUSE	P-8-6937	"DUAL ELEM 80A,250V"	3	3
J247	HARNESS-WIRING	LB-115303A	HARNESS - J247/A96 CONT MULTI STAGE(VFD)	1	1
K1/K2	CONTACTOR	P-8-7716	COMP,3PDT,40A (Y VOLT)	2	2
K1/K2	CONTACTOR-3PDT 25F LA/35RES	100438-03	COMP,3PDT,25A (G,J,M VOLT)	2	2
K10	RELAY	67K6501	"FAN,DPDT,24V"	1	1
K232	RELAY	67K6501	RELAY	1	1
K3	CONTACTOR	60M1201	"BLR-3PDT,24V"	1	1
K65	RELAY	67K6501	"EXHAUST FAN,DPDT,24V"	1	1
K8	RELAY	67K6501	"TRANSFER,DPDT,24V"	1	1
P246	HARNESS-WIRING	LB-115304A	HARNESS - P246/A96 CONTROL (VF D)	1	1
S42	PROTECTOR-OVLD	99K3201	BLR MTR OVLD-(4-6 AMPS)	1	1
S42	RELAY	99K3001	BLR MTR OVLD-(7-10 AMPS)	1	1
S42	RELAY	99K3101	BLR MTR OVLD-(2.5-4.0 AMPS)	1	1
S52	SWITCH-PRESSURE (B LOWER PROVING)	102324-02	SWITCH-PRESSURE (BLOWER PROVING)	1	1
	FITTING TOTAL PRESS SENSING BARB 90 SNAP	102392-01	FITTING TOTAL PRESS SENSING BARB 90 SNAP	1	1
T1	TRANSFORMER	51M4401	"208/240V & 380/420V PRI, 24V SEC,70VA"	1	1
T1	TRANSFORMER	51M4501	"480V PRI,24V SEC,70VA"	1	1
T1	TRANSFORMER	51M4601	"600V PRI,24V SEC,70VA"	1	1
TB1	STRIP-TERMINAL	100669-01	STRIP, TERMINAL	1	1
TB13	WIRING BLOCK, TERMINAL	103319-01	WIRING BLOCK, TERMINAL	1	1
Category: BLOWER PARTS					
51	MOTOR-BLOWER	101501-01	"3HP,1725RPM,208-230/60/3"	1	1
51	MOTOR-BLOWER	101501-02	"3HP,1725RPM,460/60/3"	1	1

KCA150S4				DASH/Revision # with Qty	
Key	Part Name	Part Number	Description	1	2
51	MOTOR-BLOWER	101678-01	"5HP,1725RPM,208-230/60/3"	1	1
51	MOTOR-BLOWER	101678-02	"5HP,1725RPM,460/60/3"	1	1
51	MOTOR-BLOWER	23G4001	"2HP,1725RPM,200-230/460/60/3"	1	1
51	MOTOR-BLOWER	43G3201	"3HP,1725RPM,575/60/3"	1	1
51	MOTOR-BLOWER	49A4301	"2HP,1425RPM,380-420/50/3"	1	1
51	MOTOR-BLOWER	49A4401	"3HP,1425RPM,380-420/50/3"	1	1
51	MOTOR-BLOWER	49A4501	"5HP,1425RPM,380-420/50/3"	1	1
51	MOTOR-BLOWER	P-8-5685	"2HP,1725RPM,575/60/3"	1	1
51	MOTOR-BLOWER	P-8-5702	"5HP,1725RPM,575/60/3"	1	1
	HARNESS-WIRING	LB-110569A	BLR MTR-(3 PH)	1	1
	HARNESS-WIRING	LB-110569B	BLR MTR-(INTL)	1	1
	HARNESS-WIRING	LB-111905A	"BLR MTR-K3,S42(INTL)"	1	1
54	BRACKET-MOUNTING BEARING	102272-01	BEARING	2	2
55	HOUSING-BLOWER	604790-01	BLOWER ASSY LANDMARK & ENERGENCE B BOX	1	1
55	HOUSING-BLOWER	604790-02	PAINTED	1	1
	BLOWER SLIDE RAILS	600907-01	BLOWER SLIDE RAILS	2	2
	PLATE-CUTOFF	LB-66131	PLATE, CUTOFF L SERIES(STUTT)	1	1
	PLATE-CUTOFF	LB-66131CP	PAINTED	1	1
	SEAL - BLOWER	602677-01	BLOWER SEAL ANGLE	2	2
56	WHEEL-BLOWER	LB-29333BCJ	"1" BORE,15" X 15"	1	1
	KEY	LB-66258	BLR WHEEL	1	1
57	SHAFT-BLOWER	93J8601	"1" DIA,24" LONG	1	1
	KEY	LB-21259D	BLR WHEEL-SHAFT	1	1
58	BEARING RUBRB-116 SK2430 LX5	100639-02	"1" BORE"	2	2
66	PULLEY-MOTOR	100239-07	1-1/8" BORE,4.15 O.D.(PKG 7)	1	1

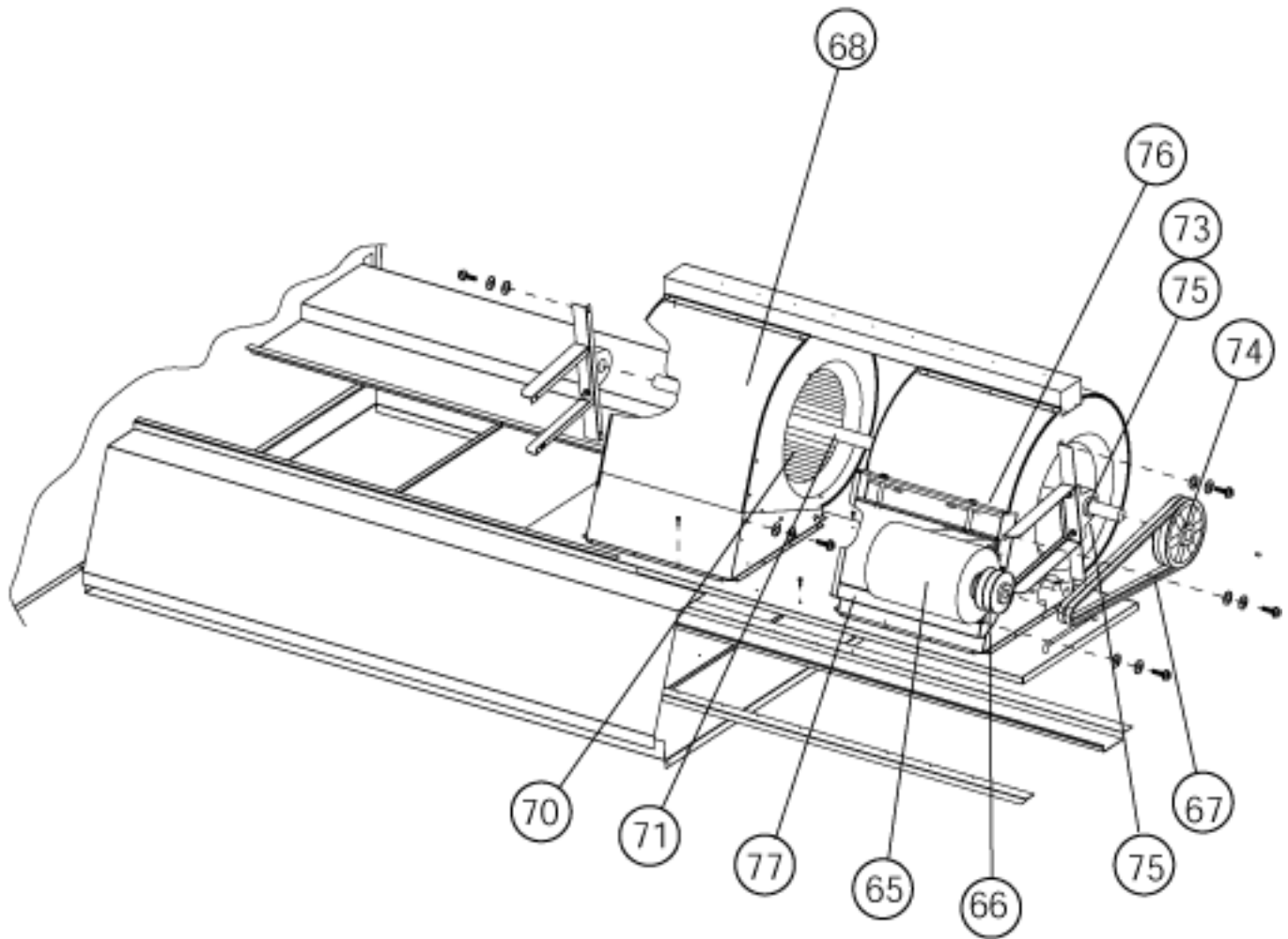
KCA150S4				DASH/Revision # with Qty	
Key	Part Name	Part Number	Description	1	2
66	PULLEY-MOTOR	31K6901	7/8"BORE,3.15 O.D.(PKG 1,3)	1	1
66	PULLEY-MOTOR	79J0301	7/8"BORE,3.75 O.D.(PKG 2)	1	1
66	PULLEY-MOTOR	P-8-1488	7/8"BORE,4.15 O.D.(PKG 4)	1	1
66	PULLEY-MOTOR	P-8-1977	1-1/8"BORE,4.75 O.D. (PKG 8,9, 10,11,12)	1	1
66	PULLEY-MOTOR	P-8-2187	7/8"BORE,4.75 O.D.(PKG 5,6)	1	1
67	BELT	100245-11	BX56 (PKG 12)	1	1
67	BELT	100245-25	AX54 (PKG 1)	1	1
67	BELT	100245-26	AX55 (PKG 2)	1	1
67	BELT	100245-28	"AX57 (PKG 6,9)"	1	1
67	BELT	100245-33	AX52 (PKG 3)	1	1
67	BELT	100245-34	AX58 (PKG 4,5,7,8)"	1	1
67	BELT	59A5001	BX59 (PKG 10)	1	1
67	BELT	78L5301	BX57 (PKG 11)	1	1
69	PULLEY-BLOWER	100244-17	1"BORE,4.45 O.D.(PKG 3)	1	1
69	PULLEY-BLOWER	100244-20	1"BORE,5.95 O.D.(PKG 1)	1	1
69	PULLEY-BLOWER	100244-21	1"BORE,7.25 O.D.(PKG 4,7)	1	1
69	PULLEY-BLOWER	100244-23	1"BORE,5.95 O.D.(PKG 12)	1	1
69	PULLEY-BLOWER	100244-24	1"BORE,6.45 O.D.(PKG 11)	1	1
69	PULLEY-BLOWER	12L2501	1"BORE,6.25 O.D.(PKG 6,9)	1	1
69	PULLEY-BLOWER	31K6801	1"BORE,5.75 O.D.(PKG 2)	1	1
69	PULLEY-BLOWER	37L4701	1"BORE,6.75 O.D.(PKG 5,8)	1	1
69	PULLEY-BLOWER	49K4001	1"BORE,7.45 O.D.(PKG 10)	1	1
	TENSIONER ASSY B B OX	604235-05	INCLUDES TENSIONER, BRKT PLATE SPACE	1	1
75	BLR SIDE FRAME & M TR MTG PLATE	604791-01	BLOWER SLIDE FRAME & MTR MTG	1	
75	BLR SIDE FRAME & M TR MTG PLATE	604791-05	W/O TENSIONER		1

KCA150S4				DASH/Revision # with Qty	
Key	Part Name	Part Number	Description	1	2
75	BLR SIDE FRAME & M TR MTG PLATE	604791-07	W/ TENSIONER		1
75	PLATE-MOTOR MOUNTI NG	604791-02	INCL HEX NUTS	1	
	HARNESS, BLOWER MO TOR	600768-01	HARNESS, BLOWER MTR (Y-G-J)(NO N-VFD)	1	1
	HARNESS, BLOWER MO TOR	601655-01	HARNESS, BLOWER MOTOR (M)	1	1
	HARNESS, MSAV BLOW ER MOTOR	606720-01	HARNESS, BLOWER MTR (Y-G-J)(VF D)	1	1
	PLATE-MOTOR MOUNTI NG	604791-06	W/O TENSIONER		1
	PLATE-MOTOR MOUNTI NG	604791-08	W/ TENSIONER		1
Category:ECONOMIZER SECTION					
	FILTER	48J0101	FILTER OAH (16" X 25" X 1") WA SHABLE	2	2
	FRESH AIR HOOD PKG ASSY B BOX	603429-01	FRESH AIR & EXHAUST	1	1
	GRAVITY EXHAUST DA MPER B BOX	602745-01	GRAVITY EXHAUST DAMPER B BOX	1	1
A6	CONTROLLER	60M1001	ECON-ENTHALPY	1	1
A7	SENSOR	54G4401	ENTHALPY-OUT-DOOR	1	1
B7	MOTOR-DAMPER HONEY WELL	102537-01	24V (MODULATING)	1	1
B7	MOTOR-DAMPER HONEY WELL	78G6701	MOTOR-DAMPER 24V	1	1
B7	MOTOR-DAMPER SIEME NS	102691-02	MOTOR-ACTUATOR SIEMENS(OAD)	1	1
B7	MOTOR-DAMPER SIEME NS	102691-04	MOTOR-ACTUATOR SIEMENS(MODULAT ING)	1	1
R1	SENSOR	79J0901	MIXED AIR	1	1
	HARNESS, ECONOMIZE R (J262A)	603533-01	HARNESS, ECONOMIZER (J262A)	1	1
	RESISTOR ASSEMBLY - SSC ECONO	102578-01	RESISTOR RESISTOR ASSEMBLY - S SC ECONO	1	1
S175	SENSOR SINGLE SENS IBLE CONTROL	102527-01	SENSOR SINGLE SENSIBLE CONTROL	1	1
Category:EXHAUST AIR DAMPER SECTION					
5	FAN	57A6601	"1/2""BORE,20""DIA,5 BLADE"	1	1
	MOUNT-MOTOR	63K6701	MOTOR MOUNT	1	1
4	MOTOR-FAN	79J8101	"1/3 HP,1050 RPM,208-230/60/1"	1	1

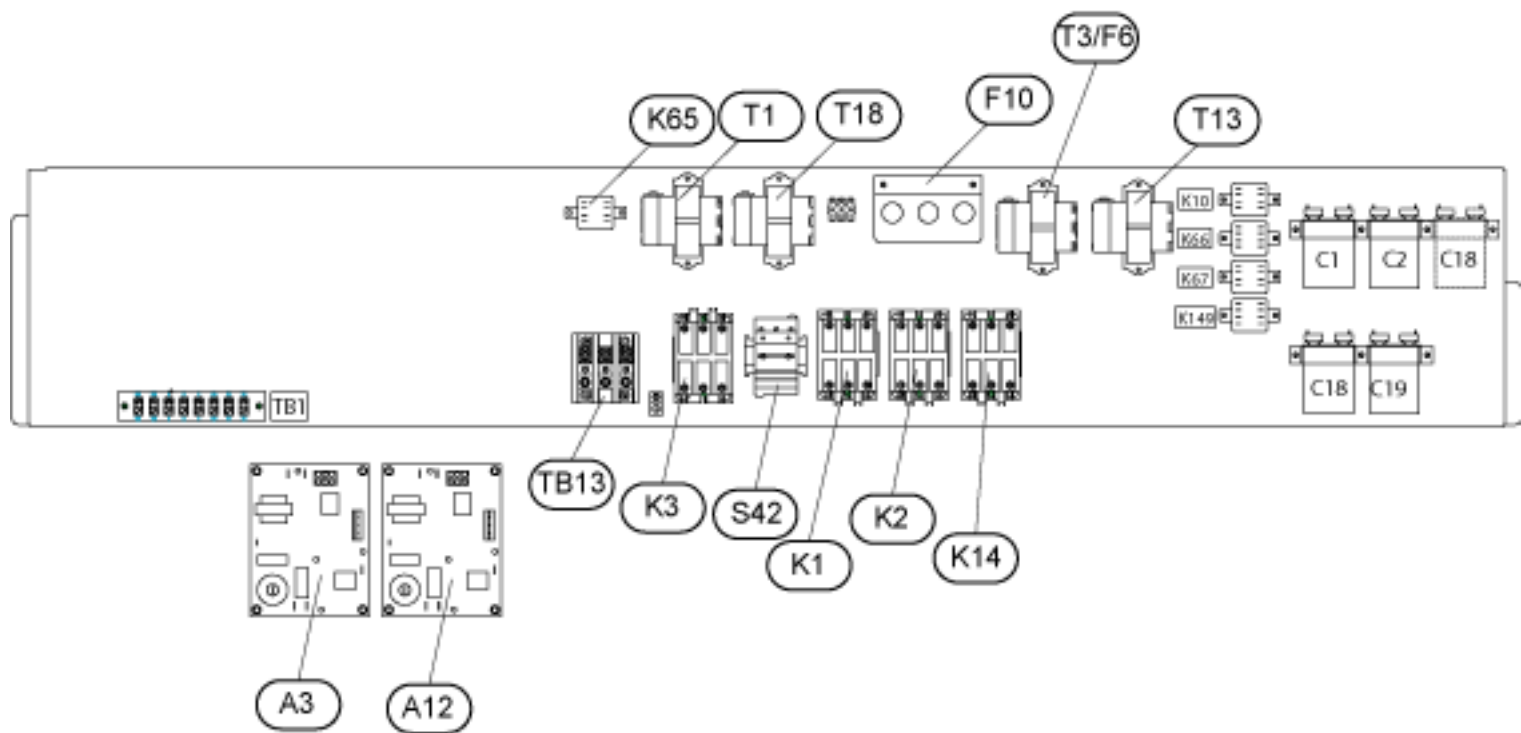
KCA150S4				DASH/Revision # with Qty	
Key	Part Name	Part Number	Description	1	2
4	MOTOR-FAN	79J8201	"1/3 HP,1050 RPM,460/60/1"	1	1
4	MOTOR-FAN	79J8301	"1/3 HP,1050 RPM,575/60/1"	1	1
C8	CAPACITOR	39H6101	CAPACITOR, RUN 10 @370V	1	1
Category:*OPTIONAL PARTS-FACTORY+ FIELD INSTALLED					
KIT 1	C1SNSR44B-1 SMOKE DETECTOR	603408-03	SUPPLY & RETURN (INCLUDES NEXT 8 PARTS)	1	1
	SMOKE DETECTOR D4P 120 POWER BOARD	102326-01	POWER BOARD	1	1
	SMOKE DETECTOR D4S SENSOR COMPONENT	102325-01	SMOKE DETECTOR 24VAC	1	1
	TUBE-AIR DUCT SAMP LING 18 IN	102371-01	TUBE, DUCT SAMPLING 18" LONG	1	1
	TUBE-AIR DUCT SAMP LING 36 IN	102371-03	TUBE-AIR DUCT SAMPLING 36"	1	1
	BRACKET, SD POWER BOARD	606620-01	BRACKET, SD POWER BOARD	1	1
	BRACKET-SMOKE DETE CTOR (4 pc blk)	602035-01	SENSOR BRACKET	1	1
	HARNESS - JUMPER S MOKE DETECTOR SUPPLY	604374-01	HARNESS - JUMPER SMOKE DETECTO R SUPPLY	1	1
	SMOKE DETECTOR PHO TOELECTRIC	103447-01	SMOKE DETECTOR SENSOR HEAD	1	1

NOTE

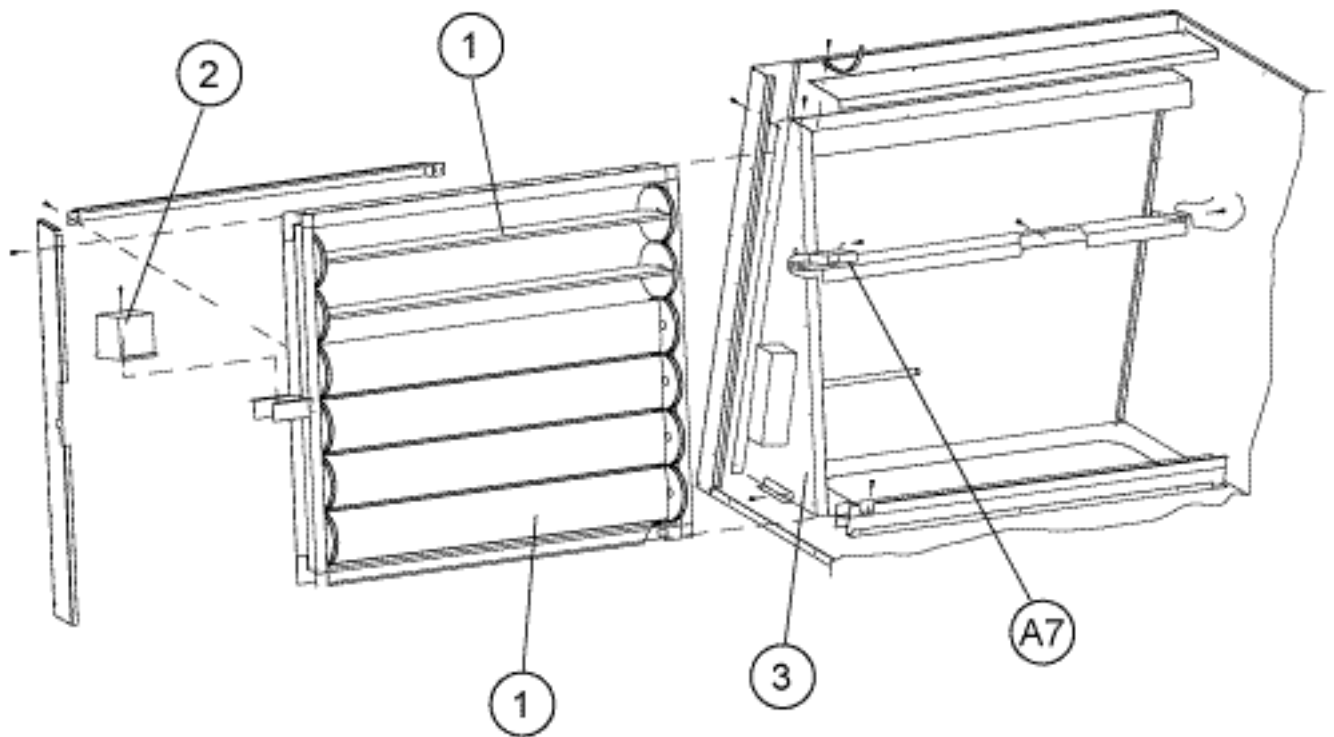
**KGA156-300SERIES
BLOWER SECTION**



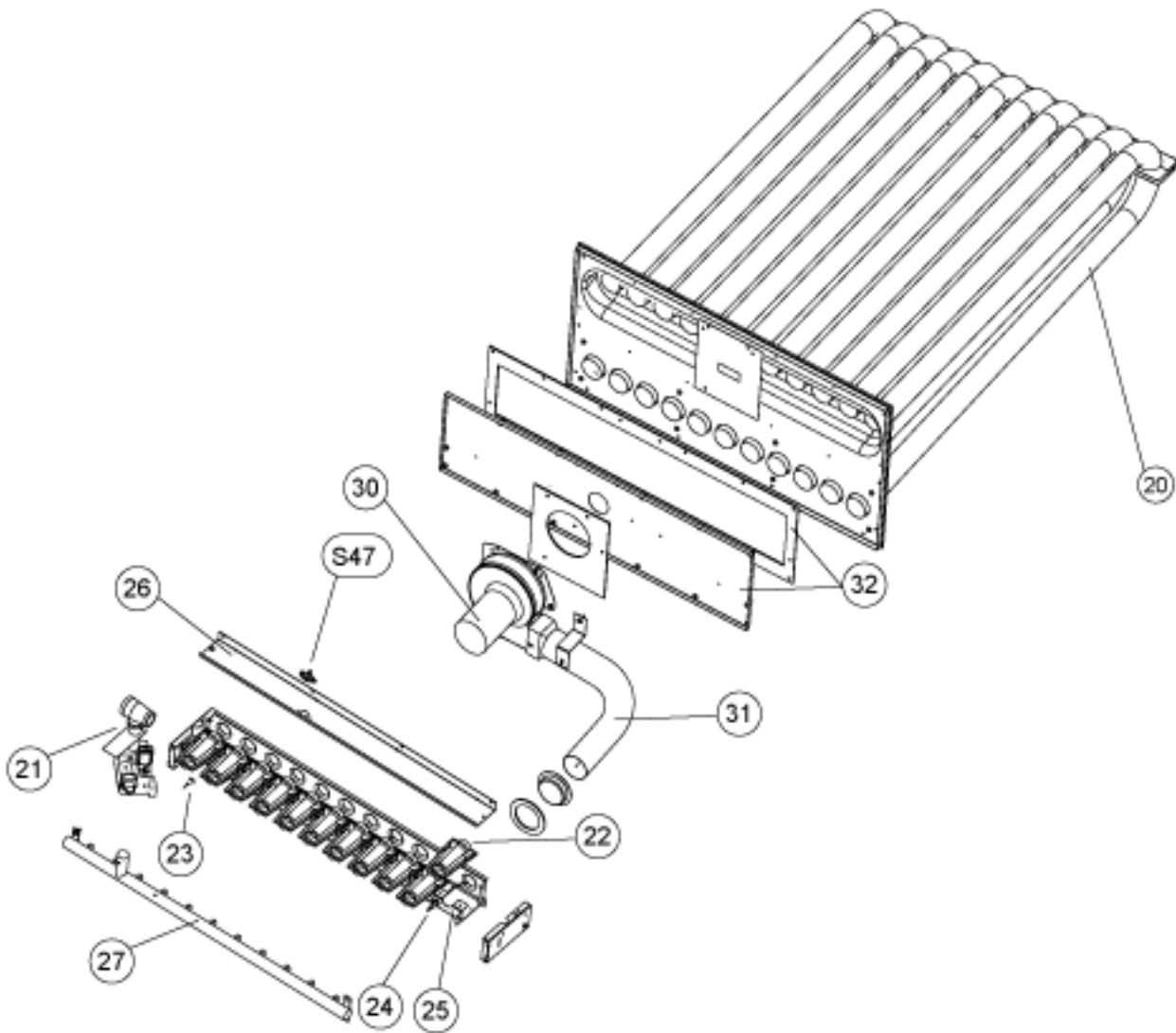
KGA 156-300 SERIES CONTROL BOX



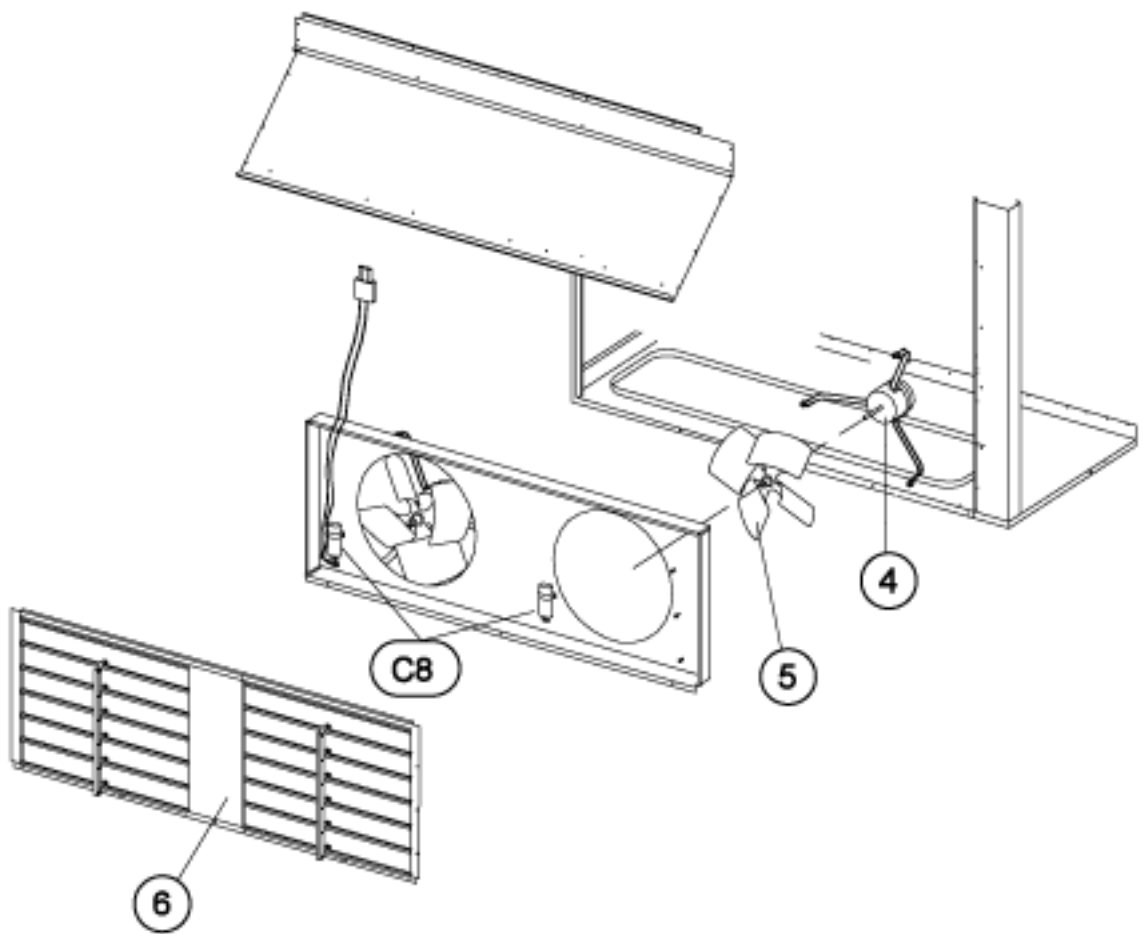
**KGA 156-300 SERIES
DAMPER ASSEMBLY**



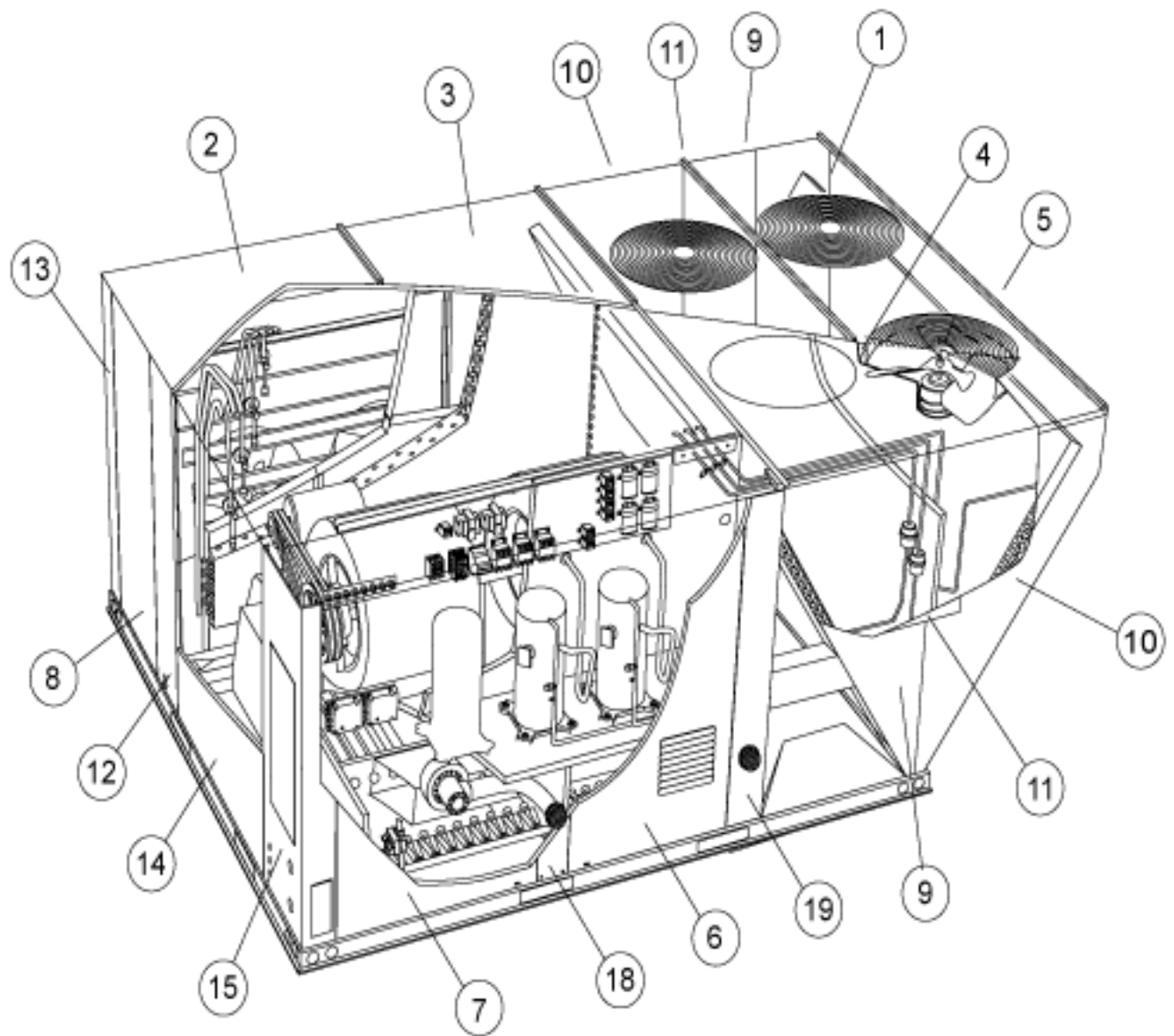
KGA 156-300 SERIES GAS HEAT SECTION



KGA 156-300 SERIES POWER EXHAUST



KGA 156-300 SERIES



KCA156H4				DASH/Revision # with Qty
Key	Part Name	Part Number	Description	
Category:CABINET PARTS				
1	PANEL-CONDENSER TO P	601445-01	TOP-COND	1
10	PANEL-COND	604088-01	COND-RIGHT COVER(BEFORE 11/03/11)	1
10	PANEL-COND	608161-01	COND-RIGHT CIVER (AFTER 11-03-11)	1
10	PANEL-COND	609986-01	COND REAR	1
10	PANEL-COND	609987-01	COND FRONT	1
	HINGE	97J6201	BLR/FILTER/CTL ACCESS 48"	1
	MOUNT-COND	601403-01	MOUNT-COND FRT RIGHT (BEFORE 11/03/11)	1
	MOUNT-COND	601404-01	MOUNT-COND REAR RIGHT (BEFORE 11/03/11)	1
	MOUNT-COND	608164-01	MOUNT-COND REAR RIGHT (AFTER 11/03/11)	1
	MOUNT-COND	608165-01	MOUNT-COND REAR RIGHT (AFTER 11/03/11)	1
11	COVER	LB-115665	COND PANEL	1
	COVER, PIPING	LB-65979	COVER, PIPING	1
12	MULLION -BLOWER END	605062-03	BLOWER END (HINGED)	1
12	MULLION -BLOWER END	605062-02	BLOWER END (NO HINGE)	1
13	MULLION-CORNER REAR	605064-02	CORNER-REAR (HINGED)	1
13	MULLION-CORNER REAR	605064-03	CORNER-REAR (NO HINGE)	1
14	PANEL-BLOWER ACCESS	605061-01	BLR ACCESS (HINGED)	1
14	PANEL-BLOWER ACCESS	605061-02	BLR ACCESS (NO HINGE)	1
15	MULLION-CORNER FRONT	605060-09	CNR-FRT W/ DISC (HINGE)BEFORE 5/19/11	1
15	MULLION-CORNER FRONT	605060-03	CNR-FRT W/ DISC (HINGED)	1
15	MULLION-CORNER FRONT	605060-04	CORNER-FRONT W/ DISC (NO HINGE)	1
15	MULLION-CORNER FRONT	605060-07	CNR-FRT W/O DISC(NO HINGE)BEFORE 5/19/11	1
15	MULLION-CORNER FRONT	605060-11	CNR-FRT W/O DISC (NO HINGE)AFTER 5/19/11	1
15	MULLION-CORNER FRONT	605060-13	CNR-FRT W/DISC (NO HINGE)AFTER 5/19/11	1

KCA156H4				DASH/Revision # with Qty
Key	Part Name	Part Number	Description	
18	MULLION-FRONT ACCE SS	601740-01	CTL ACCESS (HINGED)	1
18	MULLION-FRONT ACCE SS	603903-01	CTL ACCESS (NO HINGE)	1
19	MULLION-COND COIL	601739-01	COND COIL FRONT (HINGED)	1
19	MULLION-COND COIL	603905-01	COND COIL FRONT (NO HINGE)	1
2	PANEL-TOP	605067-01	TOP-EVAP LEFT	1
3	PANEL-TOP	605067-02	TOP-EVAP RIGHT	1
4	RING-ORIFICE	LB-100110A	RING-ORIFICE	3
	GRILLE-DISCHARGE	21J3101	GRILLE, FAN GUARD	3
5	CAP, END	609988-01	CAP, END COND ENVIRON	1
5	CAP-END	601431-01	END CAP-COND (BEFORE 11/03/11)	1
5	CAP-END	608163-01	END CAP-COND (AFTER 11/03/11)	1
6	PANEL-CONTROL ACCE SS	605065-03	CTL ACCESS R (NO HINGE)	1
6	PANEL-CONTROL ACCE SS	605065-07	CTL ACCESS R (HINGED)	1
	SHIELD-RAIN	LB-66239	CTL ACCESS	1
7	PANEL-CONTROL	605065-09	CTL ACCESS L (NO HINGE)	1
7	PANEL-CONTROL	605065-14	CTL ACCESS L (HINGED)	1
8	PANEL- FILTER ACCE SS	605063-01	FILTER ACCESS (HINGED)	1
8	PANEL-FILTER ACCES S	605063-02	FILTER ACCESS (NO HINGE)	1
	HINGE	31L1201	HEAT ACCESS 45"	1
	DRAIN TRAP KIT (CO PPER)	LB-107882B	TRAP-COND COPPER	1
	DRAIN TRAP KIT (PV C)	LB-107882A	TRAP-COND PVC	1
	FILTER, AIR	100929-03	24" X 24" X 2",SLAB MERV 8	6
	FILTER,AIR	101356-05	24" X 24" X 2",SLAB MERV 11	6
	PANEL-DUCT	LB-89291E	HORIZ DUCT,L/GED	1
	PANEL-REAR	605066-03	TOP	1

KCA156H4				DASH/Revision # with Qty
Key	Part Name	Part Number	Description	
	PANEL-REAR	605066-04	BOTTOM	1
Category:COOLING PARTS				
40	COMPRESSOR	100040-44	3.5TON,200-230/60/3,COPE	3
40	COMPRESSOR	100040-45	3.5TON,460/60/3-380-420/50/3,C OPE	3
40	COMPRESSOR	100040-46	3.5TON,575/60/3,COPE	3
	HARNESS-WIRING	LB-99231A	COMP- MOLDED PLUG	2
	MOUNT PKG-COMP	74J3001PR	74J3001PR	3
41	COIL-OUTDOOR	103810-01	W/MANIFOLD,ENVIRON	2
42	COIL-INDOOR	605077-02	W/MANIFOLD	1
43	PAN - PLASTIC DRAIN	101996-03	PAN - PLASTIC DRAIN	2
	ASSY - DISTRIBUTOR	605080-02	(STG 2)	1
	ASSY - DISTRIBUTOR	605080-07	(STG 1 & 3)	1
	CAP-SEAL	P-8-3187	CAP, BRASS	9
	DRIER	83L6101	DRIER 3/8"ODS X 3/8"ODS	3
	ELBOW - 90 DEG X 1 /2 IN.	68J3001	ELBOW - 90 DEG X 1/2 IN.	1
	FITTING PRESS TAP	86G6401	FITTING, PRESSURE TAP	12
	MOUNT, COND FRONT LEFT	609984-01	MOUNT, COND FRONT LEFT	2
	MOUNT, COND REAR L EFT	609985-01	MOUNT, COND REAR LEFT	2
	SWITCH-HI PRESS	103885-01	CUTOUT 640PSIG	3
	SWITCH-TEMP FREEZE STAT	102450-01	SWITCH-TEMP FREEZESTAT	3
	VALVE CORE	P-8-1897	VALVE, CORE 8075910047	12
	VALVE-EXPANSION	38M7401	VALVE, EXPANSION R410A	3
44	MOTOR-FAN	79J8101	1/3HP,1075RPM,208-230/60/1	3
44	MOTOR-FAN	79J8201	1/3HP,1075RPM,460/60/1,380-420 /50/1	3
44	MOTOR-FAN	79J8301	1/3HP,1075RPM,575/60/1	3

KCA156H4				DASH/Revision # with Qty
Key	Part Name	Part Number	Description	
	HARNESS-WIRING OD FAN	610848-01	OD FAN B4, B5, B21	3
	SHIELD-RAIN	P-8-6142	SHIELD, MOTOR	3
45	FAN	100654-01	1/2"BORE,24"DIA,3 BLADE	3
46	BRACKET	78L4101	MOUNT, MOTOR	3
Category:CONTROL PANEL PARTS				
A183	KIT LVC2 REPAIR PART	103557-01	ASSY-P.C.BOARD LVC2 LANDMARK VFD CNT	1
A42	ASSY-P.C.BOARD PHASE LOSS AND REVERSAL P	103316-01	ASSY-P.C.BOARD PHASE LOSS AND REVERSAL P	1
A96	607820-01 Control-Inverter 2 Hp, 230V	84W30	607820-01 Control-Inverter 2 Hp, 230V	1
A96	607820-02 Control-Inverter 2 Hp, 460V	84W31	607820-02 Control-Inverter 2 Hp, 460V	1
A96	607820-03 Control-Inverter 2 Hp, 575V	84W32	607820-03 Control-Inverter 2 Hp, 575V	1
A96	607820-04 Control-Inverter 3 Hp, 230V	84W33	607820-04 Control-Inverter 3 Hp, 230V	1
A96	607820-05 Control-Inverter 3 Hp, 460V	84W34	607820-05 Control-Inverter 3 Hp, 460V	1
A96	607820-06 Control-Inverter 3 Hp, 575V	84W35	607820-06 Control-Inverter 3 Hp, 575V	1
A96	607820-07 Control-Inverter 5 Hp, 230V	84W36	607820-07 Control-Inverter 5 Hp, 230V	1
A96	607820-08 Control-Inverter 5 Hp, 460V	84W37	607820-08 Control-Inverter 5 Hp, 460V	1
A96	607820-09 Control-Inverter 5 Hp, 575V	84W38	607820-09 Control-Inverter 5 Hp, 575V	1
A96	607820-10 Control-Inverter 7.5 Hp, 230	84W39	607820-10 Control-Inverter 7.5 Hp, 230	1
A96	607820-11 Control-Inverter 7.5 Hp, 460	84W40	607820-11 Control-Inverter 7.5 Hp, 460	1
A96	607820-12 Control-Inverter 7.5 Hp, 575	84W41	607820-12 Control-Inverter 7.5 Hp, 575	1
A96	607820-13 Control-Inverter 10 Hp, 230V	84W42	607820-13 Control-Inverter 10 Hp, 230V	1
A96	607820-14 Control-Inverter 10 Hp, 460V	84W43	607820-14 Control-Inverter 10 Hp, 460V	1
A96	607820-15 Control-Inverter 10 Hp, 575V	84W44	607820-15 Control-Inverter 10 Hp, 575V	1
A96	HARNESS - MSAV CONTROL	607115-01	HARNESS - MSAV CONTROL (VFD)	1
	INVERTER CONTROL PANEL	103368-01	INVERTER CONTROL PANEL TOUCH PAD	1
C1	CAPACITOR	39H6101	O.D.FAN,10MFD,370VAC	1

KCA156H4				DASH/Revision # with Qty
Key	Part Name	Part Number	Description	
C1	CAPACITOR	39H6301	O.D.FAN,10MFD,370VAC (INTL)	1
C18	CAPACITOR	39H6101	O.D.FAN,10MFD,370VAC	1
C18	CAPACITOR	39H6301	O.D.FAN,10MFD,370VAC (INTL)	1
C2	CAPACITOR	39H6101	O.D.FAN,15MFD,370VAC	1
C2	CAPACITOR	39H6301	O.D.FAN,10MFD,370VAC (INTL)	1
DL2/5	RELAY-DELAY	25G4301	RELAY, TIME DELAY	2
J246	HARNESS, MSAV TB13 -J246, A42	607119-01	HARNESS, TB13-J246(3,5HP-Y-G-J)	1
J246	HARNESS-POWER TB13 TO J246, A42	103453-01	HARNESS-PWR TB13-J246(7.5,10HP -Y)	1
J247	HARNESS, I.D., BLO MOTJ247/A96 PURCHASED	601538-02	HARNESS, A96 TO J247 (7.5HP-Y) (VFD)	1
J247	HARNESS, MSAV A96 TO J247	LB-115303B	HARNESS, A96 TO J247(3,5 HP)(Y -G-J)(VFD)	1
J247A	HARNESS, I.D., BLO MOTJ247/A96 PURCHASED	601538-02	HARNESS, A96 TO J247(10HP-Y)(V FD)	1
J247A	HARNESS, MSAV A96 TO J247	LB-115303B	HARNESS, A96 TO J247(10HP-G-J) (VFD)	1
J247B	HARNESS, MSAV A96 TO J247	LB-115303B	HARNESS, A96 TO J247(7.5HP-G-J) (VFD)	1
J248	HARNESS - MSAV CON TROL	607118-01	HARNESS - MSAV CONTROL (VFD)	1
K1	CONTACTOR	100438-03	COMP 1,3PDT,24V (G,J,M VOLT)	1
K1	CONTACTOR	P-8-7716	COMP 2,3PDT,24V (Y VOLT)	1
K10	RELAY	67K6501	FAN,DPDT,24V OD FAN	1
K2	CONTACTOR	100438-03	COMP 1,3PDT,24V (G,J,M VOLT)	1
K2	CONTACTOR	P-8-7716	COMP 2,3PDT,24V (Y VOLT)	1
K232	RELAY	67K6601	RELAY	1
K3	CONTACTOR	100438-03	BLR-3PDT,24V (7.5,10HP G/J/M V OLT)	1
K3	CONTACTOR	P-8-7716	BLR-3PDT,24V (7.5HP Y)	1
K3A	CONTACTOR	100438-03	BLR-3PDT,24V (3,5HP Y/G/J/M VO LT)	1
K66	RELAY	67K6501	FAN,DPDT,24V STAGE 1	1
K67	RELAY	67K6501	FAN,DPDT,24V STAGE 2	1

KCA156H4				DASH/Revision # with Qty
Key	Part Name	Part Number	Description	
P246	HARNESS, I.D. BLO MOT-P246/A96 PURCHASED	601539-02	HARNESS, A96 TO P246 (7.5HP-Y) (VFD)	1
P246	HARNESS, MSAV A96 TO P246	LB-115304B	HARNESS, A96 TO P246(3,5 HP)(Y -G-J)(VFD)	1
P246A	HARNESS, I.D. BLO MOT-P246/A96 PURCHASED	601539-02	HARNESS, A96 TO P246(10HP-Y)(V FD)	1
P246A	HARNESS, MSAV A96 TO P246	LB-115304B	HARNESS, A96 TO P246(7.5HP-G-J) (VFD)	1
P246B	HARNESS, MSAV A96 TO P246	LB-115304B	HARNESS, A96 TO P246(10HP-G-J) (VFD)	1
S42	PROTECTOR-OVLD	99K3201	BLR MTR OVLD-(SYS F)	1
S42	RELAY	99K2701	BLR MTR OVLD-(SYS C)	1
S42	RELAY	99K2801	BLR MTR OVLD-(SYS D)	1
S42	RELAY	99K2901	BLR MTR OVLD-(SYS J)	1
S42	RELAY	99K3001	BLR MTR OVLD-(SYS H)	1
S42	RELAY	99K3101	BLR MTR OVLD-(SYS E)	1
S42	RELAY	99K3301	BLR MTR OVLD-(SYS G)	1
	BRACKET	LB-65033	RELAY OVLD	1
S42	RELAY	99K3401	OVERLOAD, BLWR 9-13 AMPS(SEE T EXT)	1
S48	SWITCH-DISCONNECT	102536-01	150AMP	1
S48	SWITCH-DISCONNECT	93J3101	80AMP	1
	COVER	29K2401	DISC BOX	1
	GFI	79J9801	GFI	1
	FITTING-PRESS SENS ING	102392-01	FITTING TOTAL PRESS SENSING BA RB 90 SNAP	1
T1	TRANSFORMER	51M4401	208/240V & 380/420V PRI, 24V S EC,70VA,L/	1
T1	TRANSFORMER	51M4501	480V PRI,24V SEC,70VA,L/FUSE	1
T1	TRANSFORMER	51M4601	600V PRI,24V SEC,70VA,L/FUSE	1
T13	TRANSFORMER	100531-01	575V PRI,230V SEC,0.5VA,L/FUSE	1
T3	TRANSFORMER	100531-01	575V PRI,230V SEC,0.5VA,L/FUSE	1
TB1	STRIP-TERMINAL	100669-01	STRIP, TERMINAL	1

KCA156H4				DASH/Revision # with Qty
Key	Part Name	Part Number	Description	
TB13	BLOCK-TERMINAL	81M1501	BLOCK, TERMINAL - MAR 1323580	1
TB2	BLOCK-TERMINAL	41K3901	BLOCK, TERMINAL (NO HEAT)	1
Category: BLOWER PARTS				
65	MOTOR-BLOWER	101501-01	3HP,1725RPM,200-230/60/3 (STD)	1
65	MOTOR-BLOWER	101501-02	3HP,1725RPM,460/60/3 (STD)	1
65	MOTOR-BLOWER	101502-01	7.5HP,1750RPM,200-230/60/3 (STD)	1
65	MOTOR-BLOWER	101502-02	7.5HP,1750RPM,460/60/3 (STD)	1
65	MOTOR-BLOWER	101678-01	5HP,1745RPM,200-230/60/3 (STD)	1
65	MOTOR-BLOWER	101678-02	5HP,1750RPM,460/60/3 (STD)	1
65	MOTOR-BLOWER	103202-01	2HP,1755RPM,208/230/60/3 (NON-VFD)	1
65	MOTOR-BLOWER	103202-02	2HP,1745RPM,460/60/3 (NON VFD)	1
65	MOTOR-BLOWER	103202-03	2HP,1755RPM,575/60/3 (NON VFD)	1
65	MOTOR-BLOWER	103202-04	2HP,1755RPM,208/230/60/3 (HI EFF)	1
65	MOTOR-BLOWER	103202-05	2HP,1750RPM,460/60/3 (HI EFF)	1
65	MOTOR-BLOWER	103202-06	2HP,1745RPM,575/60/3 (HI EFF)	1
65	MOTOR-BLOWER	31L4601	7.5HP,1750RPM,575/60/3 (STD)	1
65	MOTOR-BLOWER	43G3201	3HP,1725RPM,575/60/3 (STD)	1
65	MOTOR-BLOWER	49A4301	2HP,1745RPM,380/420/50/3	1
65	MOTOR-BLOWER	49A4401	3HP,1445RPM,380/420/50/3 (STD)	1
65	MOTOR-BLOWER	49A4501	5HP,1745RPM,380/420/50/3 (STD)	1
65	MOTOR-BLOWER	P-8-11298	7.5HP,1465RPM,380/420/50/3 (STD)	1
65	MOTOR-BLOWER	P-8-5702	5HP,1745RPM,575/60/3 (STD)	1
66	PULLEY-MOTOR	100239-03	1-1/8"BORE,6.50 OD (PKG 4)	1
66	PULLEY-MOTOR	41C1301	1-1/8"BORE,6.00 OD(PKG 5)	1
66	PULLEY-MOTOR	78L5501	1-3/8"BORE,6.00 OD(PKG 7)	1

KCA156H4				DASH/Revision # with Qty
Key	Part Name	Part Number	Description	
66	PULLEY-MOTOR	78M7001	1-3/8"BORE,5.95 OD(PKG 9)	1
66	PULLEY-MOTOR	78M7101	1-3/8"BORE,6.50 OD(PKG 6,8,10,11)	1
66	PULLEY-MOTOR	79J0301	7/8" BORE,3.75 OD (PKG 1,2)	1
66	PULLEY-MOTOR	P-8-1977	1-1/8"BORE,4.75 OD (PKG 3)	1
	BUSHING	100246-01	BUSHING, SPLIT TAPER (DRV KIT 10-11)	1
	BUSHING	49M6201	BUSHING,SPLIT TAPER (DRV KIT 4-9)	1
67	BELT	100245-08	BX65 (PKG 4)	1
67	BELT	100245-20	BX66 (PKG 11)	1
67	BELT	100245-21	BX67 (PKG 10)	1
67	BELT	57A7701	BX62 (PKG 9)	1
67	BELT	59A5001	BX59 (PKG 1)	1
67	BELT	63K0501	BX55 (PKG 2)	1
67	BELT	93J9801	BX61 (PKG 3,5)	1
67	BELT	97J5501	BX63 (PKG 7)	1
67	BELT	97J5801	BX64 (PKG 8)	1
67	BELT	97J5901	BX66 (PKG 6)	1
	ANGLE	LB-114906	BEARING	2
	TENSIONER ASSY C BOX	604235-06	INCLUDES TENSIONER, BRKT PLATE PLATE	1
68	HOUSING-BLOWER	605004-01	INCL. CUTOFF PLATE & BRACKETS	1
68	HOUSING-BLOWER	605004-02	PAINTED, INCL. CUTOFF PLATE & BRACKETS	1
	PLATE-CUTOFF	LB-66131	PLATE, CUTOFF L SERIES(STUTT)	1
	PLATE-CUTOFF	LB-66131CP	PAINTED	1
69	DECK-BLOWER	601189-01	BLOWER DECK	1
	WHEEL-BLOWER	LB-29333BCS	1-7/16"BORE,15"X15"	2
70	KEY	LB-69329	BLOWER WHEEL	2

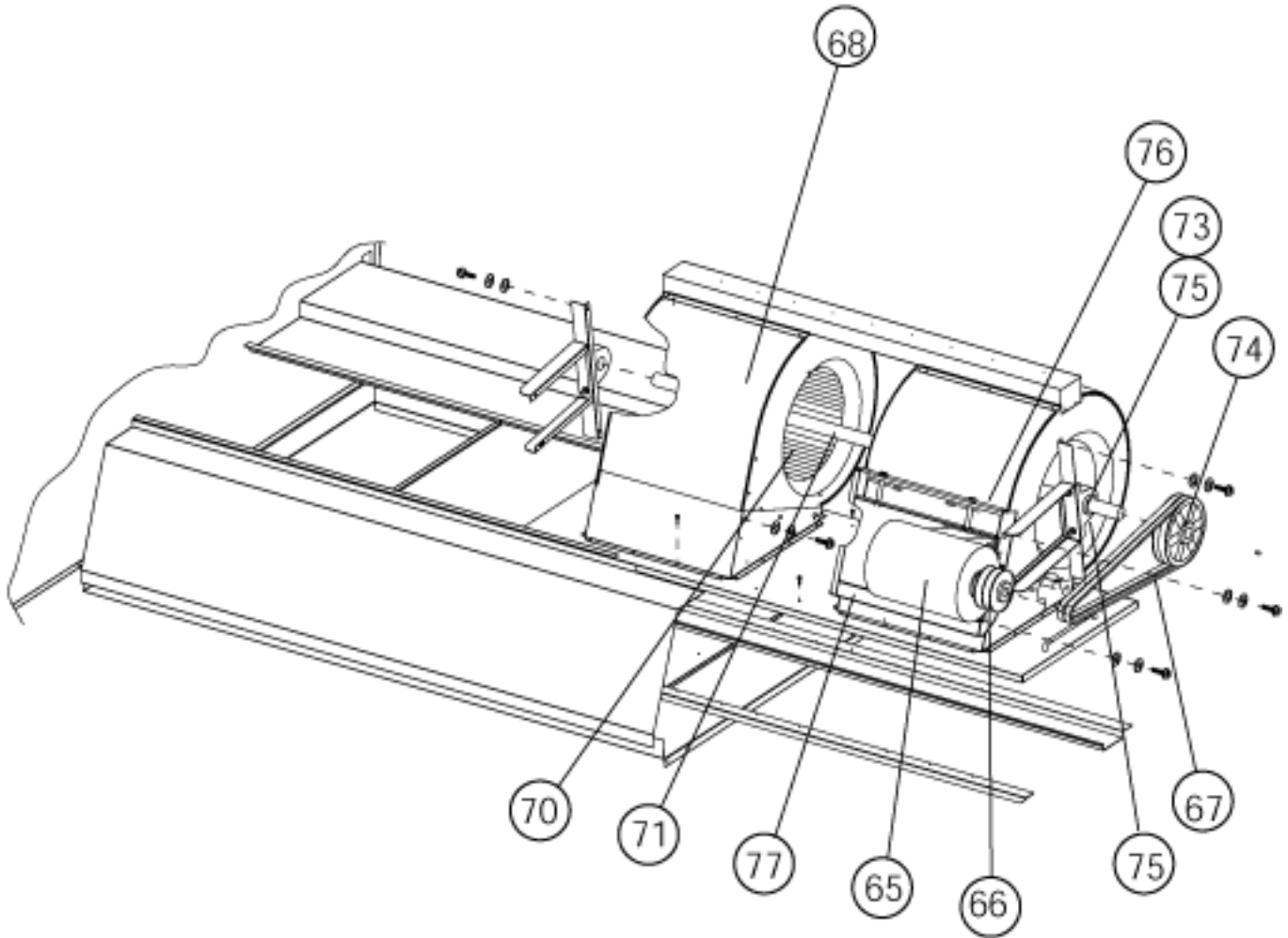
KCA156H4				DASH/Revision # with Qty
Key	Part Name	Part Number	Description	
	SHAFT-BLOWER	39L1401	1-7/16"DIA,51 1/4" LONG	1
71	KEY	LB-20769	BLR WHEEL-SHAFT	1
73	BEARING	60M3401	1-7/16"BORE	2
74	PULLEY-BLOWER	100240-05	BORE,8.28"OD(PKG 11)	1
74	PULLEY-BLOWER	100244-13	1-7/16"BORE,6.95 OD (PKG 2)	1
74	PULLEY-BLOWER	100788-03	1 5/8"BORE,7.75"OD(PKG 9)	1
74	PULLEY-BLOWER	100788-04	1-7/16"BORE,8.75 OD (PKG 5,7,8)	1
74	PULLEY-BLOWER	100788-06	1-7/16"BORE,10.75 OD (PKG 4,6)	1
74	PULLEY-BLOWER	39L1301	1-7/16"BORE,9.75 OD(PKG 3)	1
74	PULLEY-BLOWER	78M8301	5V-PITCH-8.75O.D.(PKG 10)	1
74	PULLEY-BLOWER	80K1601	1-7/16"BORE,9.25 (PKG 1)	1
75	BRACKET-MOUNTING	600905-01	BEARING	2
76	MOUNT-BLR MTR	LB-109950A	2, 5HP	1
76	MOUNT-BLR MTR	LB-109950B	7.5, 10HP	1
77	ASSY - FRAME (BLOWER MOTOR)	605003-01	BLR MTR MOUNT	2
	HARNESS, OVERLOAD K3 - S42	602238-01	BLR MTR-K3-S42	2
	LINE - DISCHARGE	LB-109458	BLOWER	2
	PLATE-MOTOR MOUNTING	606458-03	SC80W82 BLWR MOTOR MNTG ADDER(SEC)	2
	TRANSITION-(BLOWER FILLER)	604229-01	BLR-TRANSITION	2
P247	HARNESS, MSAV BLOWER MOTOR WIRE	606656-01	HARNESS, BLOWER P-247(3-5HP-Y-ALL-G-J)	1
P247	HARNESS-MOTOR B3 - P247	103343-01	HARNESS-MOTOR B3 - P247(7.5 & 10HP-Y)	1
Category:*OPTIONAL PARTS-FIELD INSTALLED				
KIT 1	C1SNSR44C-1 SMOKE DET. SUP OR RET C-BOX	603408-07	SUPPLY & RETURN (INCLUDES NEXT 8 PARTS)	1
	BRACKET, SD POWER BOARD	606620-01	BRACKET, SD POWER BOARD	1
	HARNESS - JUMPER SMOKE DETECTOR SUPPLY	604374-01	HARNESS - JUMPER SMOKE DETECTOR SUPPLY	1

KCA156H4				DASH/Revision # with Qty
Key	Part Name	Part Number	Description	
	SMOKE DETECTOR D4P 120 POWER BOARD	102326-02	POWER BOARD	1
	SMOKE DETECTOR D4S SENSOR COMPONENT	102325-01	SMOKE DETECTOR D4S SENSOR COMP ONENT	1
	SMOKE DETECTOR PHO TOELECTRIC	103447-01	SMOKE DETECTOR SENSOR HEAD	1
	STAND-OFF SMOKE DE TECTOR (4 pc blk)	604227-01	SENSOR BRACKET	1
	TUBE-AIR DUCT SAMP LING 30 IN (LST2.5)	102371-06	TUBE-AIR DUCT SAMPLING 30 IN (R)	1
	TUBE-AIR DUCT SAMP LING 36 IN (LST3)	102371-03	TUBE-AIR DUCT SAMPLING 36 IN (S)	1
KIT 2	ENTHALPY KIT	LB-88401A	INCL NEXT 2 PARTS	1
	HARNESS-WIRING	LB-68994	ENTHALPY	1
	SENSOR	54G4401	ENTHALPY	1
KIT 3	KIT-LO AMBIENT	LB-107318B	INCL NEXT 2 PARTS	1
	HARNESS	604727-01	HARNESS	1
	SWITCH-LO AMBIENT	38M7801	SWITCH, PRESSURE LOW AMBIENT R 410A	1
Category:ECONOMIZER SECTION				
1	CIDAMP10C-1 MANUA L OAD	604592-01	OAD-MANUAL	1
1	K1DAMP20C-1 MOTORI ZED OAD	604592-05	OAD-LA-OADM-MOTORIZED	1
1	K1ECON15C ECONOMI ZER	604592-03	ECONOMIZER	1
	FILTER	48J0101	OAH(16" X 25" X 1)-WASHABLE	1
2	MOTOR-DAMPER HONEY WELL	103962-03	MOTOR-ACTUATOR HONEYWELL (LOW LEAK)	1
2	MOTOR-DAMPER HONEY WELL	56M8101	MOTOR DAMPER(MODULATING)	1
2	MOTOR-DAMPER HONEY WELL	60M1101	24V	1
2	MOTOR-DAMPER HONEY WELL	78G6701	24V-OAD	1
2	MOTOR-DAMPER SIEME NS	102691-02	MOTOR-ACTUATOR SIEMENS(OAD)	1
2	MOTOR-DAMPER SIEME NS	102692-01	MOTOR-ACTUATOR SIEMENS(MODULAT ING)	1
	C1HOOD10C-1 OUTDOO R AIR HOOD PKG	LB-68921F	OAH ASSY	1
3	SUPPORT, ECONOMIZE R SIDE	LB-109366	ECONOMIZER-SIDE	1

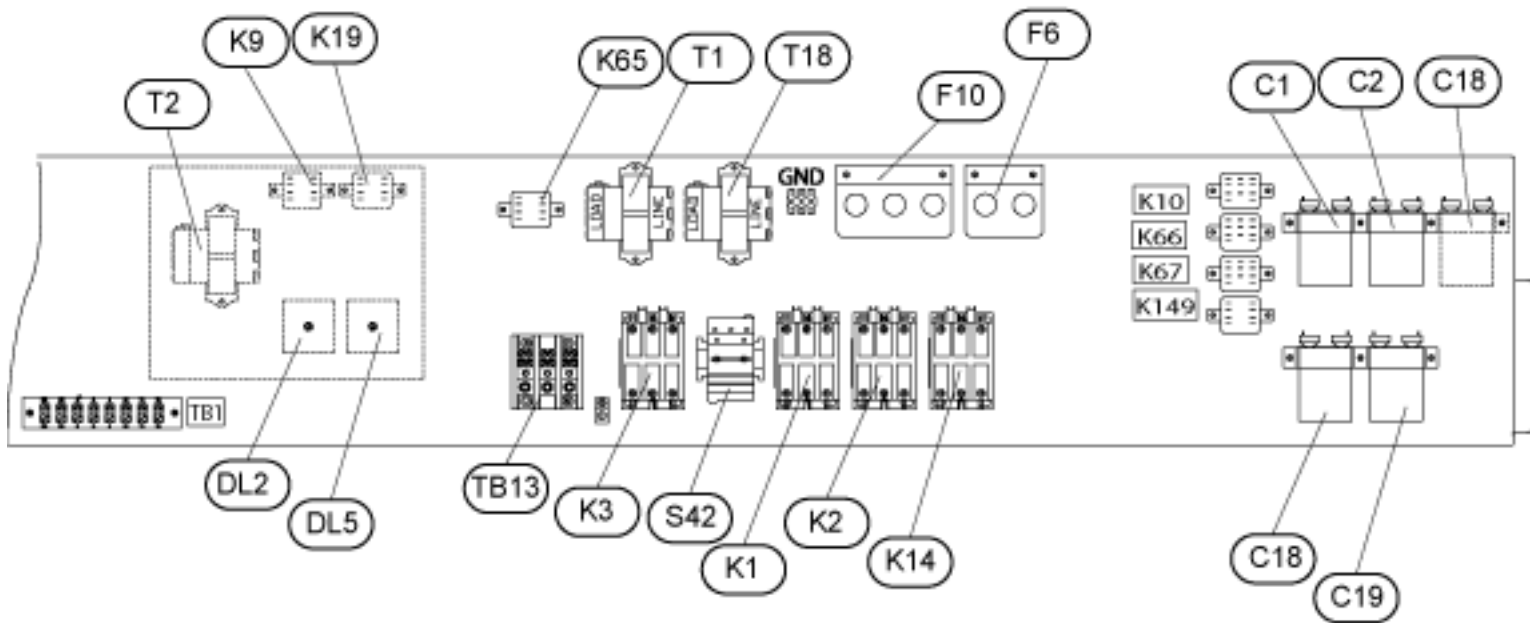
KCA156H4				DASH/Revision # with Qty
Key	Part Name	Part Number	Description	
A6	CONTROL ECONOMIZER - JADE	103929-01	CONTROL ECONOMIZER (LOW LEAK)	1
A7	SENSOR	54G4401	ENTHALPY-OUTDOOR	1
	HARNESS-WIRING	LB-68994	A7	1
R1	SENSOR	79J0901	MIXED/SUPPLY AIR	1
	CONTROLLER	60M1001	ECON-ENTHALPY	1
	RESISTOR ASSEMBLY - SSC ECONO	102578-01	RESISTOR RESISTOR ASSEMBLY - S SC ECONO	1
S175	CONTROL-SENSOR SIN GLE SENSIBLE	102527-01	SENSOR SINGLE SENSIBLE CONTROL	1
Category:EXHAUST AIR DAMPER SECTION				
4	MOTOR-FAN	79J8101	1/3HP,1075RPM,208-230/60/1	3
4	MOTOR-FAN	79J8201	1/3HP,1075RPM,460/60/1	3
4	MOTOR-FAN	79J8301	1/3HP,1075RPM,575/60/1	3
	MOUNT-MOTOR	63K6701	MOUNT, MOTOR	3
5	FAN	57A6601	PWR EXH-1/2"BORE,20",5 BLADE	3
6	DOWNFLOW GED WITH HOOD	604593-01	DOWNFLOW-COMPLETE ASSY	1
7	EXHAUST-GRAVITY	LB-68922B	HORIZ-COMPLETE ASSY	1
	HOOD KIT, GED C BO X	603259-01	GED	1
	FILTER	48J0101	HOOD-OUTDOOR AIR,16"X25" X 1"- WASHABLE	1
C8	CAPACITOR	39H6101	10/370	3

NOTE

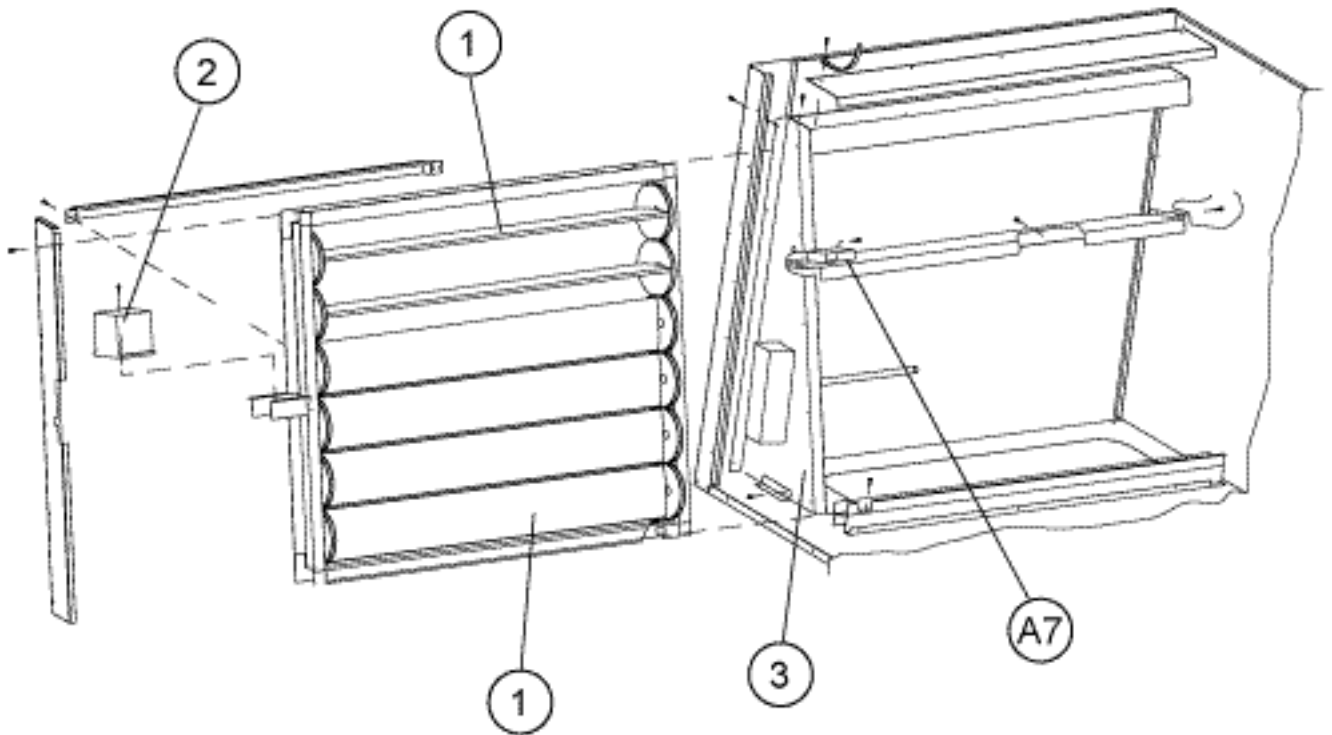
**KCA156-300SERIES
BLOWER SECTION**



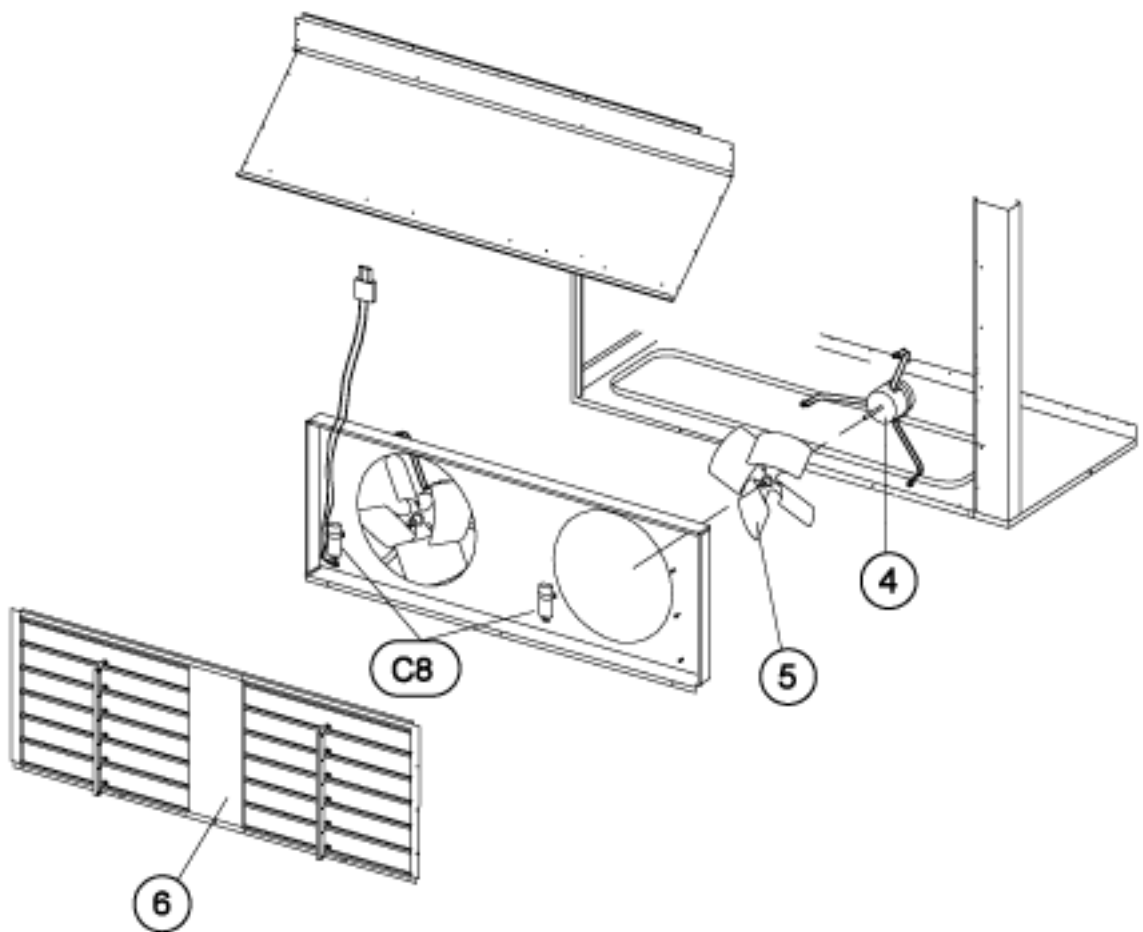
KCA 156-300 SERIES CONTROL BOX



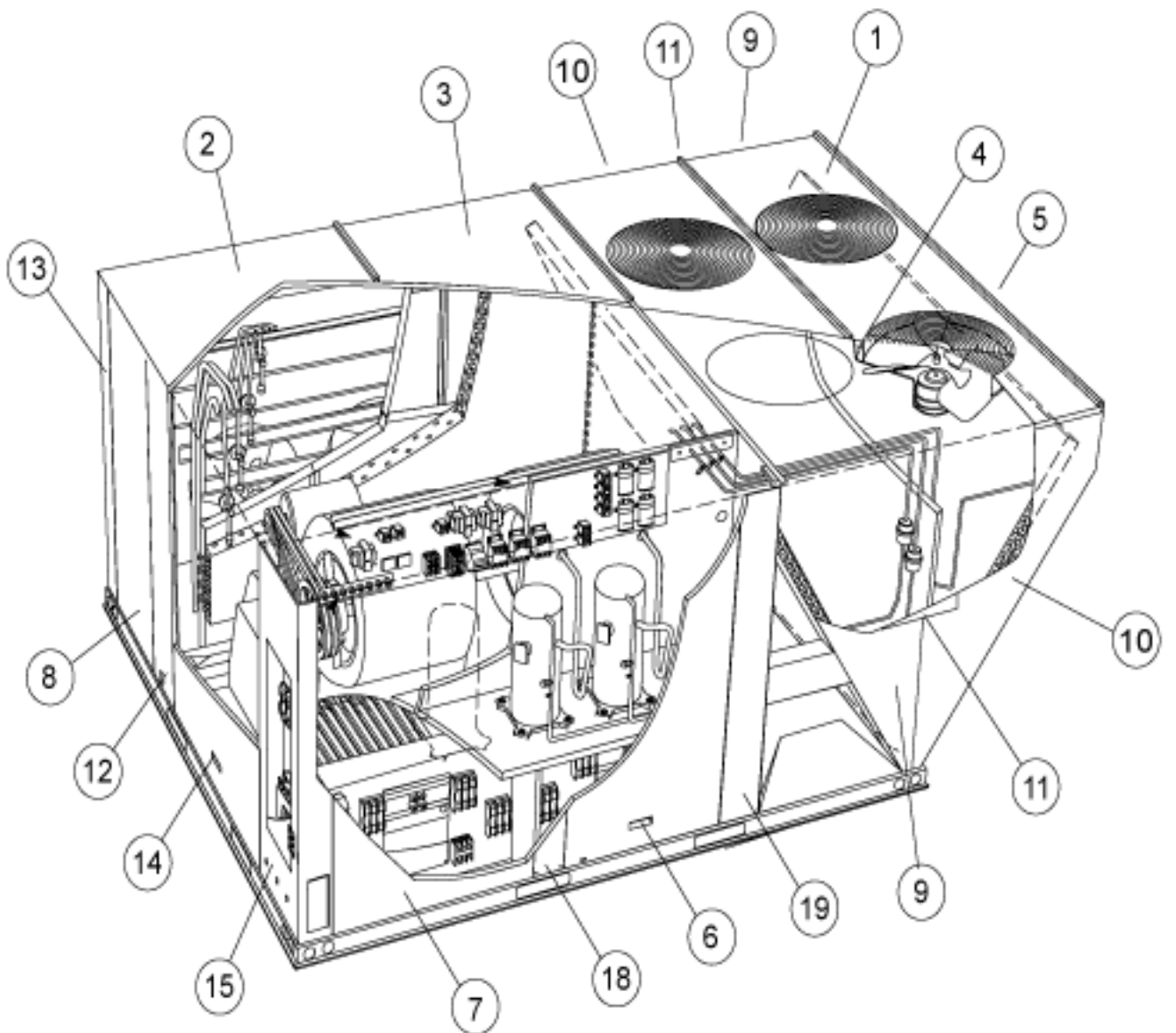
**KCA 156-300 SERIES
DAMPER ASSEMBLY**



KCA 156-300 SERIES POWER EXHAUST



KCA 156-300 SERIES



KCA180S4				DASH/Revision # with Qty	
Key	Part Name	Part Number	Description	1	2
Category:CABINET PARTS					
1	PANEL-CONDENSER TO P	601445-01	TOP-COND	1	1
10	PANEL-COND	604088-01	COND-RIGHT (BEFORE 11/03/11)	2	
10	PANEL-COND	608161-01	COND-RIGHT (AFTER 11/03/11)	2	
10	PANEL-COND	609986-01	COND REAR (ENVIRON)		1
10	PANEL-COND	609987-01	COND FRONT (ENVIRON)		1
10	PANEL-COND RIGHT	604087-01	COND-RIGHT (BEFORE 08/2/12)	2	
10	PANEL-COND RIGHT	610046-01	COND-RIGHT (AFTER 08/2/12)	2	
	COVER, PIPING	LB-65979	COVER, PIPING		1
	PANEL-DUCT	LB-89291E	HORIZ DUCT,L/GED	1	1
	PANEL-REAR	605066-03	REAR PANEL-TOP	1	1
	PANEL-REAR	605066-04	REAR PANEL-BOTTOM	1	1
11	COVER	LB-115665	COND PANEL	2	1
12	MULLION -BLOWER END	605062-03	BLOWER END (HINGED)	1	1
12	MULLION -BLOWER END	605062-02	BLR END (NO HINGE)	1	1
13	MULLION-CORNER REAR	605064-02	REAR CORNER (HINGED)	1	1
13	MULLION-CORNER REAR	605064-03	REAR CORNER (NO HINGE)	1	1
14	PANEL-BLOWER ACCESS	605061-01	BLOWER ACCESS (HINGED)	1	1
14	PANEL-BLOWER ACCESS	605061-02	BLOWER ACCESS (NO HINGE)	1	1
15	MULLION-CORNER FRONT	605060-06	CNR-FRT W/O DISC(NO HINGE)BEFORE 5/19/11	1	
15	ASSY-REPAIR PART FRONT CORNER MULLION	605060-08 SA	CNR-FRT W/ DISC (NO HINGE)BEFORE 5/19/11	1	
15	MULLION-CORNER FRONT	605060-01	CNR-FRT W/ DISC (HINGED)	1	1
15	MULLION-CORNER FRONT	605060-05	CNR-FRT W/O DISC (HINGED)	1	1
15	MULLION-CORNER FRONT	605060-10	CNR-FRT W/O DISC (NO HINGE)AFTER 5/19/11	1	1
15	MULLION-CORNER FRONT	605060-12	CNR-FRT W/DISC (NO HINGE)AFTER 5/19/11	1	1

KCA180S4				DASH/Revision # with Qty	
Key	Part Name	Part Number	Description	1	2
	DRAIN TRAP KIT (COPPER)	LB-107882B	TRAP-COND COPPER	1	1
	DRAIN TRAP KIT (PVC)	LB-107882A	L/T SERIES DRAIN TRAP KIT (PVC)	1	1
	FILTER, AIR	100929-03	24" X 24" X 2",SLAB MERV 8	6	6
	FILTER,AIR	101356-05	24" X 24" X 2",SLAB MERV 11	6	6
18	MULLION-CONTROL	602201-01	CONTROL ACCESS MULLION (NON HINGED)	1	1
18	MULLION-CONTROL	603902-01	CTL ACCESS (HINGED)	1	1
19	MULLION-FRONT CONDENSER(6 pc blk)	602205-01	COND COIL FRONT (NO HINGE)	1	1
19	MULLION-FRONT CONDENSER(6 pc blk)	603904-01	COND COIL FRONT (HINGED)	1	1
2	PANEL-TOP	605067-01	TOP-EVAP LEFT	1	1
3	PANEL-TOP	605067-02	TOP-EVAP RIGHT	1	1
4	RING-ORIFICE	LB-100110A	RING-ORIFICE	3	3
	GRILLE-DISCHARGE	21J3101	GRILLE, FAN GUARD	3	3
5	CAP, END	608160-01	CAP, END COND (AFTER 11/03/11)	1	
5	CAP, END	609988-01	CAP, END ENVIRON		1
5	END CAP	602226-01	END CAP-COND (BEFORE 11/03/11)	1	
6	PANEL-CONTROL ACCESS	605065-03	CTL ACCESS R (NO HINGE)	1	1
6	PANEL-CONTROL ACCESS	605065-07	CTL ACCESS R (HINGED)	1	1
	SHIELD-RAIN	LB-66239	CTL ACCESS	1	1
7	ASSY - REPAIR PART CONTROL ACCESS PANELS	605065-04	CTL ACCESS L (NO HINGE)(BEFORE 05/19/11)	1	
7	PANEL-CONTROL	605065-09	CTL ACCESS L (NO HINGE)(AFTER 05/19/11)	1	1
7	PANEL-CONTROL	605065-14	CTL ACCESS L (HINGED)	1	1
8	PANEL- FILTER ACCESS	605063-01	FILTER ACCESS (HINGED)	1	1
8	PANEL-FILTER ACCESS	605063-02	FILTER ACCESS (NO HINGE)	1	1
9	PANEL-COND	604089-01	COND-LEFT (BEFORE 11/03/11)	2	
9	PANEL-COND	608162-01	COND-LEFT (AFTER 11/03/11)	2	

KCA180S4				DASH/Revision # with Qty	
Key	Part Name	Part Number	Description	1	2
Category:COOLING PARTS					
40	COMPRESSOR	79M9001	7TON,200-230/60/3,COPE	2	2
40	COMPRESSOR	79M9101	7TON,460/60/3-380-420/50/3,COP E	2	2
40	COMPRESSOR	79M9201	7TON,575/60/3,COPE	2	2
	HARNESS-WIRING	LB-99231A	COMP- MOLDED PLUG	2	2
	HEATER-CRANKCASE	100499-07	(575V)MOLDED PLUG	2	2
	HEATER-CRANKCASE	100499-08	(480V)MOLDED PLUG	2	2
	HEATER-CRANKCASE	100499-10	(240V)MOLDED PLUG	2	2
	MOUNT PKG-COMP	74J3001PR	74J3001PR	2	2
41	COIL COND ENVIRON NONCOAT- CTC 18, 86-15	103883-01	COIL COND (ENVIRON) (O/D)		2
41	OUTDOOR COIL ASSEM BLY C BOX	605068-07	W/MANIFOLD (L)	2	
41	OUTDOOR COIL ASSEM BLY C BOX	605068-08	W/MANIFOLD (R)	2	
42	605077-01 COIL-IND OOR	62W11	605077-01 COIL-INDOOR	2	
42	INDOOR COIL	605077-08	COIL-INDOOR (EVIRON)		1
43	PAN - PLASTIC DRAI N	101996-03	PAN - PLASTIC DRAIN	2	2
	610469-13 DISTRIBU TOR ASSY	10C82	610469-13 DISTRIBUTOR ASSY		1
	ASSY - DISTRIBUTOR	605080-01	DISTRIBUTOR ASSY	2	
	CAP-SEAL	P-8-3187	CAP, BRASS	6	6
	DRIER	83L6101	DRIER 3/8"ODS X 3/8"ODS	2	2
	FITTING PRESS TAP	86G6401	FITTING, PRESSURE TAP	8	8
	MOUNT, COND	600480-01	O.D.COIL(LEFT REAR)	2	2
	MOUNT-COND	600481-01	O.D.COIL(LEFT FRONT)	2	2
	MOUNT-COND	601403-01	MOUNT-COND FRT RIGHT (BEFORE 1 1/03/11)	1	
	MOUNT-COND	601404-01	MOUNT-COND REAR RIGHT (BEFORE 11/03/11)	1	
	MOUNT-COND	608164-01	MOUNT-COND REAR RIGHT (AFTER 1 1/03/11)	1	

KCA180S4				DASH/Revision # with Qty	
Key	Part Name	Part Number	Description	1	2
	MOUNT-COND	608165-01	MOUNT-COND FRT RIGHT (AFTER 11/03/11)	1	
	RFC KIT ASSY (.108)	100484-50	RFC KIT ASSY (.108)		2
	SWITCH, CIRCON FLOAT	60M1301	SWITCH, CIRCON FLOAT	1	1
	SWITCH-HI PRESS	103885-01	CUT OUT 640PSIG (MANUAL RESET)		2
	SWITCH-HIGH PRESSURE MANUAL RESET	102448-01	CUTOUT 640PSIG	2	
	SWITCH-TEMP FREEZE STAT	102450-01	SWITCH-TEMP FREEZESTAT	2	2
	VALVE CORE	P-8-1897	VALVE, CORE 8075910047	8	8
	VALVE-EXPANSION	100679-35	100679-35	2	
44	MOTOR-FAN	79J8101	1/3HP,1075RPM,208-230/60/1	3	3
44	MOTOR-FAN	79J8201	1/3HP,1075RPM,460/60/1,380-420/50/1	3	3
44	MOTOR-FAN	79J8301	1/3HP,1075RPM,575/60/1	3	3
	HARNESS - OD FAN B4,B5,B21	609678-01	HARNESS - OD FAN B4,B5,B21		3
	HARNESS, OD FAN B4, B5, B21	603977-01	HARNESS, OD FAN B4, B5, B21	3	
	SHIELD-RAIN	P-8-6142	SHIELD, MOTOR	3	3
45	FAN	100654-01	1/2"BORE,24"DIA,3 BLADE	3	3
46	BRACKET	78L4101	MOUNT, MOTOR	3	3
Category:ELECTRIC HEATING PARTS					
1A			FOR ELECT HTG REF TO REPAIR PARTS	1	
1B			REF TO E1EH FOR ELECT HTG PARTS	1	
Category:CONTROL PANEL PARTS					
A183	KIT LVC2 REPAIR PART	103557-01	ASSY-P.C.BOARD LVC2 LANDMARK VFD CNT	1	1
A42	ASSY-P.C.BOARD PHASE LOSS AND REVERSAL P	103316-01	ASSY-P.C.BOARD PHASE LOSS AND REVERSAL P	1	1
A96	607820-01 Control-Inverter 2 Hp, 230V	84W30	"607820-01 Control-Inverter 2 Hp, 230V"	1	1
A96	607820-02 Control-Inverter 2 Hp, 460V	84W31	"607820-02 Control-Inverter 2 Hp, 460V"	1	1
A96	607820-03 Control-Inverter 2 Hp, 575V	84W32	607820-03 Control-Inverter 2 Hp, 575V	1	1

KCA180S4				DASH/Revision # with Qty	
Key	Part Name	Part Number	Description	1	2
A96	607820-04 Control-Inverter 3 Hp, 230V	84W33	607820-04 Control-Inverter 3 Hp, 230V	1	1
A96	607820-05 Control-Inverter 3 Hp, 460V	84W34	607820-05 Control-Inverter 3 Hp, 460V	1	1
A96	607820-06 Control-Inverter 3 Hp, 575V	84W35	607820-06 Control-Inverter 3 Hp, 575V	1	1
A96	607820-07 Control-Inverter 5 Hp, 230V	84W36	607820-07 Control-Inverter 5 Hp, 230V	1	1
A96	607820-08 Control-Inverter 5 Hp, 460V	84W37	607820-08 Control-Inverter 5 Hp, 460V	1	1
A96	607820-09 Control-Inverter 5 Hp, 575V	84W38	607820-09 Control-Inverter 5 Hp, 575V	1	1
A96	607820-10 Control-Inverter 7.5 Hp, 230	84W39	607820-10 Control-Inverter 7.5 Hp, 230	1	1
A96	607820-11 Control-Inverter 7.5 Hp, 460	84W40	607820-11 Control-Inverter 7.5 Hp, 460	1	1
A96	607820-12 Control-Inverter 7.5 Hp, 575	84W41	607820-12 Control-Inverter 7.5 Hp, 575	1	1
A96	607820-13 Control-Inverter 10 Hp, 230V	84W42	607820-13 Control-Inverter 10 Hp, 230V	1	1
A96	607820-14 Control-Inverter 10 Hp, 460V	84W43	607820-14 Control-Inverter 10 Hp, 460V	1	1
A96	607820-15 Control-Inverter 10 Hp, 575V	84W44	607820-15 Control-Inverter 10 Hp, 575V	1	1
A96	HARNESS - MSAV CONTROL	607115-01	HARNESS - MSAV CONTROL (VFD)	1	1
	INVERTER CONTROL PANEL	103368-01	INVERTER CONTROL PANEL TOUCH PAD	1	1
C1	CAPACITOR	39H6101	O.D.FAN,10MFD,370VAC	1	1
C1	CAPACITOR	39H6301	O.D.FAN,10MFD,370VAC (INTL)	1	1
C18	CAPACITOR	39H6101	O.D.FAN,10MFD,370VAC	1	1
C18	CAPACITOR	39H6301	O.D.FAN,10MFD,370VAC (INTL)	1	1
C2	CAPACITOR	39H6101	O.D.FAN,10MFD,370VAC	1	1
C2	CAPACITOR	39H6301	O.D.FAN,10MFD,370VAC (INTL)	1	1
DL1	RELAY-DELAY	25G4301	RELAY, TIME DELAY	1	1
DL2	RELAY-DELAY	25G4301	RELAY, TIME DELAY	1	1
J246	HARNESS, MSAV TB13 -J246, A42	607119-01	HARNESS, TB13-J246(3,5HP-Y-G-J)	1	1
J246	HARNESS-POWER TB13 TO J246, A42	103453-01	HARNESS-PWR TB13-J246(7.5,10HP-Y)	1	1
J247	HARNESS, I.D., BLOWER MOTOR - J247/A96	601538-02	HARNESS, A96 TO J247(10HP-Y)(VFD)	1	1

KCA180S4				DASH/Revision # with Qty	
Key	Part Name	Part Number	Description	1	2
J247	HARNESS, MSAV A96 TO J247	LB-115303B	HARNESS, A96 TO J247(3,5 HP)(Y-G-J)(VFD)	1	1
J247A	HARNESS, I.D., BLOWER MOTOR - J247/A96	601538-02	HARNESS, A96 TO J247 (7.5HP-Y)(VFD)	1	1
J247A	HARNESS, MSAV A96 TO J247	LB-115303B	HARNESS, A96 TO J247(7.5HP-G-J)(VFD)	1	1
J247B	HARNESS, MSAV A96 TO J247	LB-115303B	HARNESS, A96 TO J247(10HP-G-J)(VFD)	1	1
J248	HARNESS - MSAV CONTROL	607118-01	HARNESS - MSAV CONTROL (VFD)	1	1
K1	CONTACTOR	P-8-7716	COMP 2,3PDT,24V (Y VOLT)	1	1
K1	CONTACTOR-3PDT 25F LA/35RES	100438-03	COMP 1,3PDT,24V (G,J,M VOLT)	1	1
K10	RELAY	67K6501	FAN,DPDT,24V OD FAN	1	1
K13	RELAY	67K6501	HEAT,DPDT,24V STAGE 2	1	
K2	CONTACTOR	P-8-7716	COMP 2,3PDT,24V (Y VOLT)	1	1
K2	CONTACTOR-3PDT 25F LA/35RES	100438-03	COMP 1,3PDT,24V (G,J,M VOLT)	1	1
K232	RELAY	67K6501	RELAY	1	
K232	RELAY	67K6601	RELAY		1
K3	CONTACTOR	P-8-7716	BLR-3PDT,24V (7.5HP Y)	1	1
K3	CONTACTOR-3PDT 25F LA/35RES	100438-03	BLR-3PDT,24V (3,5HP Y/G/J/M VOLT)	1	1
K3A	CONTACTOR-3PDT 25F LA/35RES	100438-03	BLR-3PDT,24V (7.5, 10HP G/J/M/VOLT)	1	1
K66	RELAY	67K6501	FAN,DPDT,24V STAGE 1	1	1
K67	RELAY	67K6501	FAN,DPDT,24V STAGE 2	1	1
K68	RELAY	67K6501	RELAY	1	1
K9/K19	RELAY	67K6501	ELEC HEAT,DPDT,24V	2	2
P246	HARNESS, I.D. BLOWER MOTOR - P246/A96	601539-02	HARNESS, A96 TO P246(10HP-Y)(VFD)	1	1
P246	HARNESS, MSAV A96 TO P246	LB-115304B	HARNESS, A96 TO P246(3,5 HP)(Y-G-J)(VFD)	1	1
P246A	HARNESS, I.D. BLOWER MOTOR - P246/A96	601539-02	HARNESS, A96 TO P246 (7.5HP-Y)(VFD)	1	1
P246A	HARNESS, MSAV A96 TO P246	LB-115304B	HARNESS, A96 TO P246(10HP-G-J)(VFD)	1	1
P246B	HARNESS, MSAV A96 TO P246	LB-115304B	HARNESS, A96 TO P246(7.5HP-G-J)(VFD)	1	1

KCA180S4				DASH/Revision # with Qty	
Key	Part Name	Part Number	Description	1	2
S42	PROTECTOR-OVLD	99K3201	BLR MTR OVLD-(SYS F)	1	1
S42	RELAY	99K2801	BLR MTR OVLD-(SYS D)	1	1
S42	RELAY	99K2901	BLR MTR OVLD-(SYS J)	1	1
S42	RELAY	99K3001	BLR MTR OVLD-(SYS H)	1	1
S42	RELAY	99K3101	BLR MTR OVLD-(SYS E)	1	1
S42	RELAY	99K3301	BLR MTR OVLD-(SYS G)	1	1
S42	RELAY	99K3401	OVERLOAD, BLWR 9-13 AMPS(SEE T EXT)	1	1
	BRACKET	LB-65033	BRACKET, CONTROL MOUNTING	1	1
S42A	RELAY	99K2701	OVERLOAD, BLWR 12.5-20 AMPS(SE E TEXT)	1	1
S42B	RELAY	99K2701	OVERLOAD, BLWR 12.5-20 AMPS(SE E TEXT)	1	1
S48	SWITCH-DISCONNECT	102536-01	150AMP	1	1
S48	SWITCH-DISCONNECT	93J3101	80AMP	1	1
	COVER	29K2401	DISC BOX	1	1
	GFI	79J9801	GFI	1	1
S52	SWITCH-PRESSURE (B LOWER PROVING)	102324-02	SWITCH-PRESSURE (BLOWER PROVING)	1	
	FITTING TOTAL PRESS S SENSING BARB 90 SNAP	102392-01	FITTING TOTAL PRESS SENSING BARB 90 SNAP	1	1
T1	TRANSFORMER	51M4401	208/240V & 380/420V PRI, 24V S EC,70VA,L/	1	1
T1	TRANSFORMER	51M4501	480V PRI,24V SEC,70VA,L/FUSE	1	1
T1	TRANSFORMER	51M4601	600V PRI,24V SEC,70VA,L/FUSE	1	1
T13	TRANSFORMER	100531-01	575V PRI,230V SEC,0.5VA,L/FUSE		1
T2	TRANSFORMER	51M4401	208/240V & 380/420V PRI, 24V S EC,70VA,L/	1	1
T2	TRANSFORMER	51M4501	480V PRI,24V SEC,70VA,L/FUSE	1	1
T2	TRANSFORMER	51M4601	600V PRI,24V SEC,70VA,L/FUSE	1	1
T3	TRANSFORMER	100531-01	575V PRI,230V SEC,0.5VA,L/FUSE		1
TB1	STRIP-TERMINAL	100669-01	STRIP, TERMINAL	1	1

KCA180S4				DASH/Revision # with Qty	
Key	Part Name	Part Number	Description	1	2
TB13	BLOCK-TERMINAL	81M1501	BLOCK, TERMINAL - MAR 1323580	1	1
	FUSE TIME DELAY 30 A - KLDR030	102555-01	FUSE		3
	HOLDER	89F0201	30 AMP 600 VOLT		3
TB2	BLOCK-TERMINAL	41K3901	BLOCK, TERMINAL (NO ELECT HTG)		1
Category: BLOWER PARTS					
65	MOTOR-BLOWER	101501-01	3HP,1725RPM,200-230/60/3 (STD)	1	
65	MOTOR-BLOWER	101501-02	3HP,1725RPM,460/60/3 (STD)	1	
65	MOTOR-BLOWER	101502-01	7.5HP,1750RPM,200-230/60/3 (ST D)	1	
65	MOTOR-BLOWER	101502-02	7.5HP,1750RPM,460/60/3 (STD)	1	
65	MOTOR-BLOWER	101678-01	5HP,1745RPM,200-230/60/3 (STD)	1	
65	MOTOR-BLOWER	101678-02	5HP,1750RPM,460/60/3 (STD)	1	
65	MOTOR-BLOWER	31L4601	7.5HP,1750RPM,575/60/3 (STD)	1	
65	MOTOR-BLOWER	43G3201	3HP,1725RPM,575/60/3 (STD)	1	
65	MOTOR-BLOWER	49A4301	2HP,1745RPM,380/420/50/3		1
65	MOTOR-BLOWER	49A4401	MOTOR, 3HP 3PH 230/400V	1	1
65	MOTOR-BLOWER	49A4501	5HP,1745RPM,380/420/50/3 (STD)	1	1
65	MOTOR-BLOWER	P-8-11298	7.5HP,1465RPM,380/420/50/3 (ST D)	1	1
65	MOTOR-BLOWER	P-8-5702	5HP,1745RPM,575/60/3 (STD)	1	
65	MOTOR-BLOWER 2.0HP , 200-230V, 60HZ	103202-01	2HP,1745RPM,208/230/60/3 (NON VFD)		1
65	MOTOR-BLOWER 2.0HP , 200-230V, 60HZ	103202-04	2HP,1755RPM,208/230/60/3 (HI E FF)		1
65	MOTOR-BLOWER 2.0HP , 460V, 60HZ	103202-05	2HP,1750RPM,460/60/3 (HI EFF)		1
65	MOTOR-BLOWER 2.0HP , 575V, 60HZ	103202-03	2HP,1755RPM,575/60/3 (NON VFD)		1
65	MOTOR-BLOWER 2.0HP , 575V, 60HZ	103202-06	2HP,1745RPM,575/60/3 (HI EFF)		1
65	MOTOR-BLOWER 2.0HP , 460V, 60HZ	103202-02	2HP,1745RPM,460/60/3 (NON VFD)		1
65	MOTOR-BLOWER 3.0HP , 200-230V, 60HZ	103204-01	3HP,1725RPM, 208-230V, (STD)		1

KCA180S4				DASH/Revision # with Qty	
Key	Part Name	Part Number	Description	1	2
65	MOTOR-BLOWER 3.0HP , 460V, 60HZ	103204-02	3HP,1725RPM,460/60/3 (STD)		1
65	MOTOR-BLOWER 3.0HP , 575V, 60HZ	103204-03	3HP,1725RPM,575/60/3 (STD)		1
65	MOTOR-BLOWER 5HP - 230V - 3 PHASE	103021-01	5HP,1745RPM,200-230/60/3 (STD)		1
65	MOTOR-BLOWER 5HP - 460V - 3 PHASE	103021-02	5HP,1750RPM,460/60/3 (STD)		1
65	MOTOR-BLOWER 5HP - 575V - 3 PHASE	103021-03	5HP,1745RPM,575/60/3 (STD)		1
65	MOTOR-BLOWER 7.5 H P 200-230 VOLT	102973-01	7.5HP,1750RPM,200-230/60/3 (ST D)		1
65	MOTOR-BLOWER 7.5 H P 460 VOLT	102973-02	7.5HP,1750RPM,460/60/3 (STD)		1
65	MOTOR-BLOWER 7.5 H P 575 VOLT	102973-03	7.5HP,1750RPM,575/60/3 (STD)		1
66	PULLEY-MOTOR	100239-03	1-1/8"BORE,6.50 OD (PKG 4)	1	1
66	PULLEY-MOTOR	41C1301	1-1/8"BORE,6.00 OD (PKG 5)	1	1
66	PULLEY-MOTOR	78L5501	1-3/8"BORE,6.00 OD (PKG 7)	1	1
66	PULLEY-MOTOR	78M7001	1-3/8"BORE,5.95 OD (PKG 9)	1	1
66	PULLEY-MOTOR	78M7101	1-3/8"BORE,6.50 OD (PKG 6,8,10 ,11)	1	1
66	PULLEY-MOTOR	79J0301	7/8" BORE,3.75 OD (PKG 1,2)	1	1
66	PULLEY-MOTOR	P-8-1977	1-1/8"BORE,4.75 OD (PKG 3)	1	1
	BUSHING	100246-01	BUSHING, SPLIT TAPER (DRV KIT 10-11)	1	1
	BUSHING	49M6201	BUSHING,SPLIT TAPER (DRV KIT 4 -9)	1	1
67	BELT	100245-08	BX65 (PKG 4)	1	1
67	BELT	100245-20	BX66 (PKG 11)	1	1
67	BELT	100245-21	BX67 (PKG 10)	1	1
67	BELT	57A7701	BX62 (PKG 9)	1	1
67	BELT	59A5001	BX59 (PKG 1)	1	1
67	BELT	63K0501	BX55 (PKG 2)	1	1
67	BELT	93J9801	BX61 (PKG 3,5)	1	1
67	BELT	97J5501	BX63 (PKG 7)	1	1

KCA180S4				DASH/Revision # with Qty	
Key	Part Name	Part Number	Description	1	2
67	BELT	97J5801	BX64 (PKG 8)	1	1
67	BELT	97J5901	BX66 (PKG 6)	1	1
	ANGLE	LB-114906	BEARING	2	2
68	HOUSING-BLOWER	605004-01	ASSY- REPAIR PART BLOWER S.A.	1	1
68	HOUSING-BLOWER	605004-02	PAINTED	1	1
	PLATE-CUTOFF	LB-66131	PLATE, CUTOFF L SERIES(STUTT)	1	1
	PLATE-CUTOFF	LB-66131CP	PAINTED	1	1
	TENSIONER ASSY C B OX	604235-06	INCLUDES TENSIONER, BRKT PLATE SPACE	1	
69	DECK-BLOWER	601189-01	BLOWER DECK	1	1
70	KEY	LB-69329	BLOWER WHEEL	2	2
70	WHEEL-BLOWER	LB-29333BCS	1-7/16"BORE,15"X15"	2	2
	KEY	LB-69329	BLOWER WHEEL	2	2
71	KEY	LB-20769	BLR WHEEL-SHAFT	1	1
71	SHAFT-BLOWER	39L1401	SHAFT, BLOWER 1-7/16" DIA X 51 -1/4" LONG	1	1
	KEY	LB-20769	BLR WHEEL-SHAFT	1	1
73	BEARING	60M3401	1-7/16"BORE	2	2
74	PULLEY-BLOWER	100240-05	1-7/16"BORE,8.28 OD (PKG 11)	1	1
74	PULLEY-BLOWER	100244-13	1-7/16"BORE,6.95 OD (PKG 2)	1	1
74	PULLEY-BLOWER	100788-03	1 5/8"BORE,7.75 OD (PKG 9)	1	1
74	PULLEY-BLOWER	100788-04	1-7/16"BORE,8.75 OD (PKG 5,7,8)	1	1
74	PULLEY-BLOWER	100788-06	1-7/16"BORE,10.75 OD (PKG 4,6)	1	1
74	PULLEY-BLOWER	39L1301	1-7/16"BORE,9.75 OD (PKG 3)	1	1
74	PULLEY-BLOWER	78M8301	2 5/8"BORE,8.88 OD (PKG 10)	1	1
74	PULLEY-BLOWER	80K1601	1-7/16"BORE (PKG 1)	1	1
75	BRACKET-MOUNTING	600905-01	BEARING	2	2

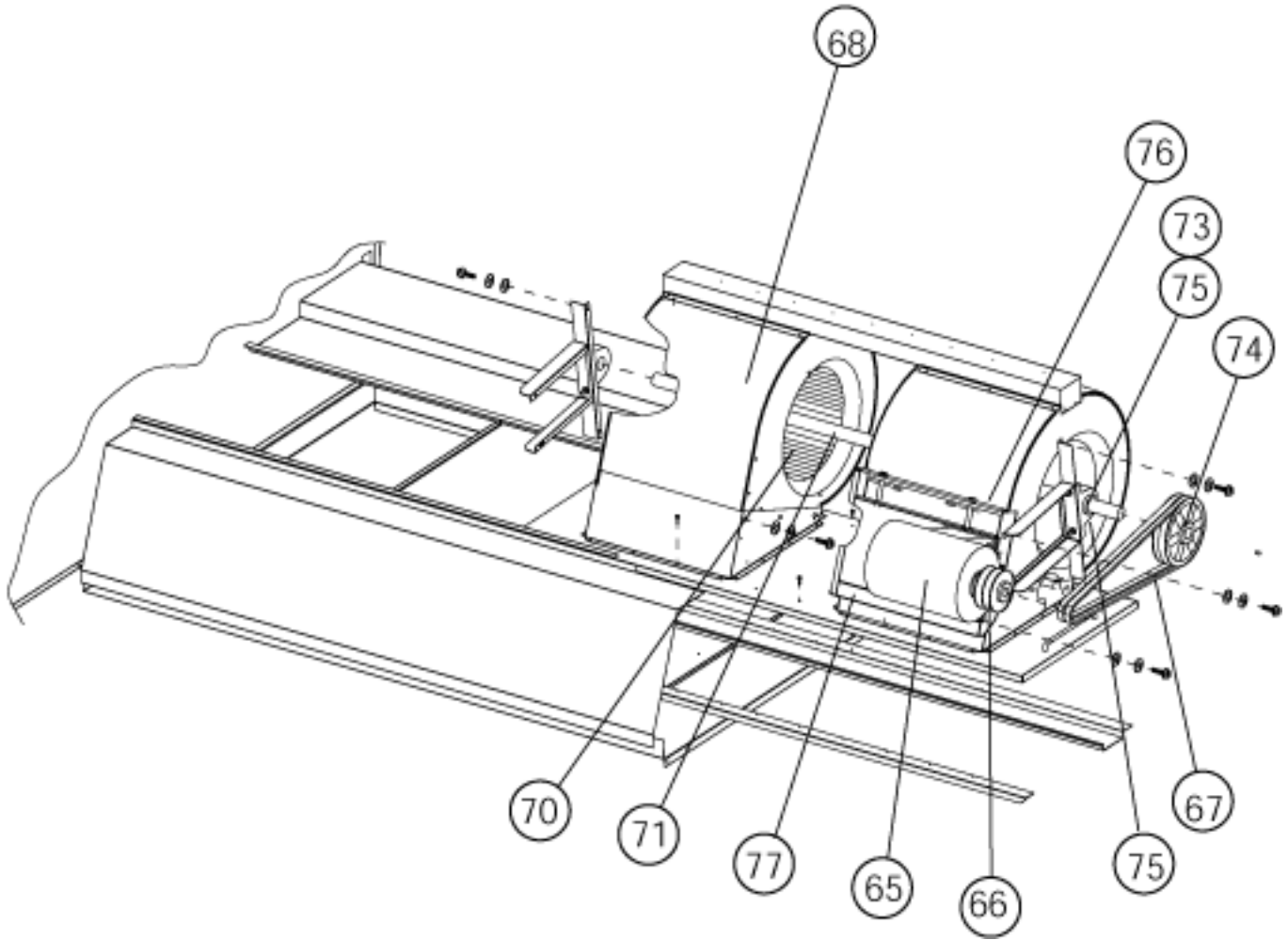
KCA180S4				DASH/Revision # with Qty	
Key	Part Name	Part Number	Description	1	2
76	MOUNT-BLR MTR	LB-109950A	2, 5HP	1	1
76	MOUNT-BLR MTR	LB-109950B	7.5, 10HP	1	1
77	ASSY - FRAME (BLOWER MOTOR)	605003-01	BLR MTR MOUNT	2	2
	HARNESS, OVERLOAD K3 - S42	602238-01	BLR MTR-K3-S42	2	2
	LINE - DISCHARGE	LB-109458	LINE - DISCHARGE	2	2
	PLATE-MOTOR MOUNTING	606458-03	SC80W82 BLWR MOTOR MNTG ADDER(SEC)	2	2
	TRANSITION-(BLOWER FILLER)	604229-01	BLR-TRANSITION	2	2
P247	HARNESS, MSAV BLOWER MOTOR WIRE	606656-01	HARNESS, BLOWER P-247(3-5HP-Y-ALL-G-J)	1	1
P247	HARNESS-MOTOR B3 - P247	103343-01	HARNESS-MOTOR B3 - P247(7.5 & 10HP-Y)	1	1
Category:*OPTIONAL PARTS-FIELD INSTALLED					
KIT 1	C1SNSR44C-1 SMOKE DET. SUP OR RET C-BOX	603408-07	SUPPLY & RETURN (INCLUDES NEXT 8 PARTS)	1	1
	BRACKET, SD POWER BOARD	606620-01	BRACKET, SD POWER BOARD	1	1
	HARNESS - JUMPER SMOKE DETECTOR SUPPLY	604374-01	HARNESS - JUMPER SMOKE DETECTOR SUPPLY	1	1
	SMOKE DETECTOR D4P 120 POWER BOARD	102326-01	POWER BOARD	1	1
	SMOKE DETECTOR D4S SENSOR COMPONENT	102325-01	SMOKE DETECTOR SENSOR	1	1
	SMOKE DETECTOR PHOTOELECTRIC	103447-01	SMOKE DETECTOR SENSOR HEAD	1	1
	STAND-OFF SMOKE DETECTOR (4 pc blk)	604227-01	BRACKET SENSOR	1	1
	TUBE-AIR DUCT SAMPLING 30 IN	102371-06	TUBE-AIR DUCT SAMPLING 30 IN (S)	1	1
	TUBE-AIR DUCT SAMPLING 36 IN	102371-03	TUBE-AIR DUCT SAMPLING 36 IN (R)	1	1
KIT 2	ENTHALPY KIT	LB-88401A	INCL NEXT 2 PARTS	1	1
	HARNESS-WIRING	LB-68994	ENTHALPY	1	1
	SENSOR	54G4401	ENTHALPY	1	1
KIT 3	KIT-LO AMBIENT	LB-107318B	LOW-AMB KIT TC/TGA "B" BOX	1	1
	HARNESS	604727-01	HARNESS	1	1
	SWITCH-LO AMBIENT	38M7801	SWITCH, PRESSURE LOW AMBIENT R410A	1	1

KCA180S4				DASH/Revision # with Qty	
Key	Part Name	Part Number	Description	1	2
Category:ECONOMIZER SECTION					
1	C1DAMP10C-1 MANUA L OAD	604592-01	OAD-MANUAL	1	1
1	K1DAMP20C-1 MOTORI ZED OAD	604592-05	OAD-LA-OADM-MOTORIZED	1	1
1	K1ECON15C ECONOMI ZER	604592-03	ECONOMIZER	1	1
	FILTER	48J0101	OAH(16" X 25" X 1)-WASHABLE	1	1
2	MOTOR-ACTUATOR SIE MENS 62 IN-LB MOD	102692-01	MOTOR-ACTUATOR(MODULATING)	1	1
2	MOTOR-DAMPER HONEY WELL	56M8101	MOTOR DAMPER(MODULATING)	1	1
2	MOTOR-DAMPER HONEY WELL	60M1101	24V	1	1
2	MOTOR-DAMPER HONEY WELL	78G6701	24V-OAD	1	1
2	MOTOR-DAMPER SIEME NS	102691-02	MOTOR-ACTUATOR SIEMENS(OAD)	1	1
	C1HOOD10C-1 OUTDOO R AIR HOOD PKG	LB-68921F	OAH ASSY	1	1
3	SUPPORT, ECONOMICI R SIDE	LB-109366	SUPPORT, ECONOMIZER SIDE	1	1
A7	SENSOR	54G4401	ENTHALPY-OUTDOOR	1	1
	HARNESS-WIRING	LB-68994	A7	1	1
R1	SENSOR	79J0901	MIXED/SUPPLY AIR	1	1
	CONTROLLER	60M1001	ECON-ENTHALPY	1	1
	RESISTOR ASSEMBLY - SSC ECONO	102578-01	RESISTOR RESISTOR ASSEMBLY - S SC ECONO	1	1
S175	SENSOR SINGLE SENS IBLE CONTROL	102527-01	SENSOR SINGLE SENSIBLE CONTROL	1	1
Category:EXHAUST AIR DAMPER SECTION					
	PANEL-DUCT	LB-89291E	HORIZ DUCT,L/GED	1	1
4	MOTOR-FAN	79J8101	1/3HP,1075RPM,208-230/60/1	3	3
4	MOTOR-FAN	79J8201	1/3HP,1075RPM,460/60/1	3	3
4	MOTOR-FAN	79J8301	1/3HP,1075RPM,575/60/1	3	3
	MOUNT-MOTOR	63K6701	MOUNT, MOTOR	3	3
5	FAN	57A6601	FAN, ASSY 20"	3	3

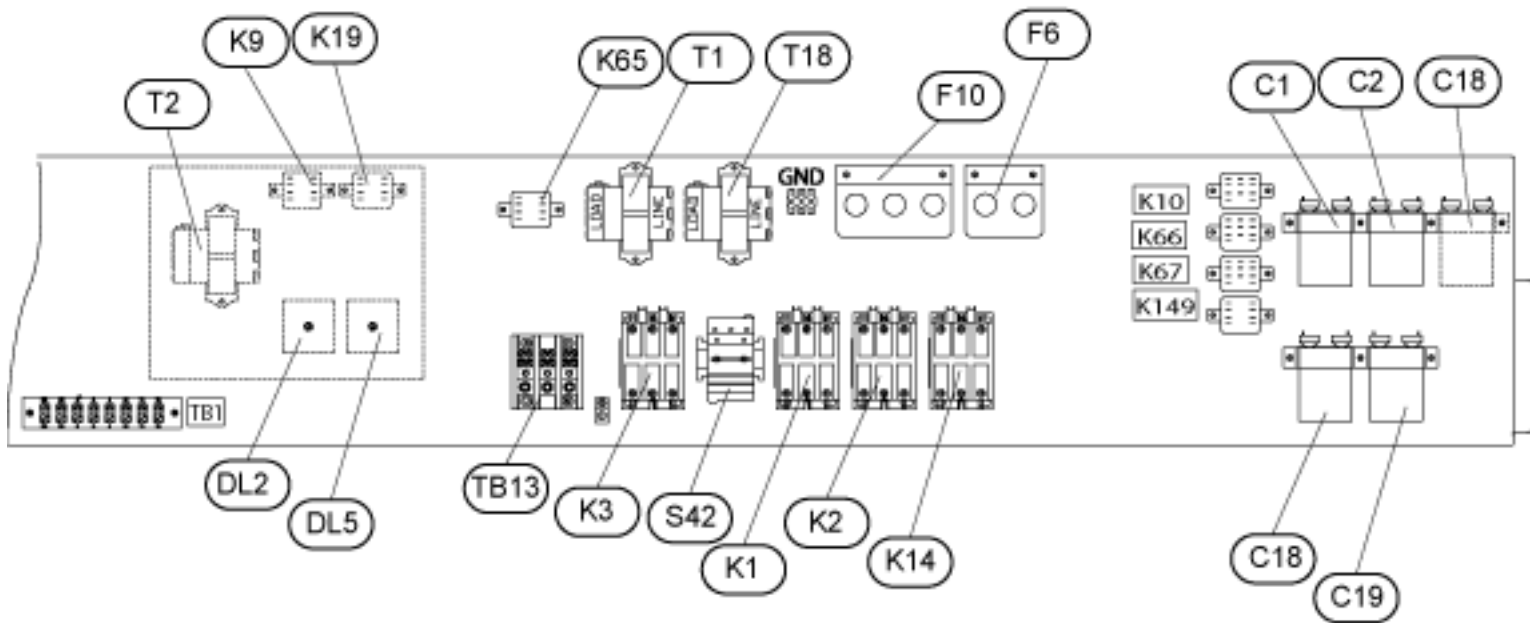
KCA180S4				DASH/Revision # with Qty	
Key	Part Name	Part Number	Description	1	2
6	DOWNFLOW GED WITH HOOD	604593-01	DOWNFLOW-COMPLETE ASSY	1	1
7	EXHAUST-GRAVITY	LB-68922B	HORIZ-COMPLETE ASSY	1	1
	HOOD KIT, GED C BOX	603259-01	GED	1	1
	FILTER	48J0101	HOOD-OUTDOOR AIR,16"X25" X 1"-WASHABLE	1	1
C8	CAPACITOR	39H6101	10/370	1	

NOTE

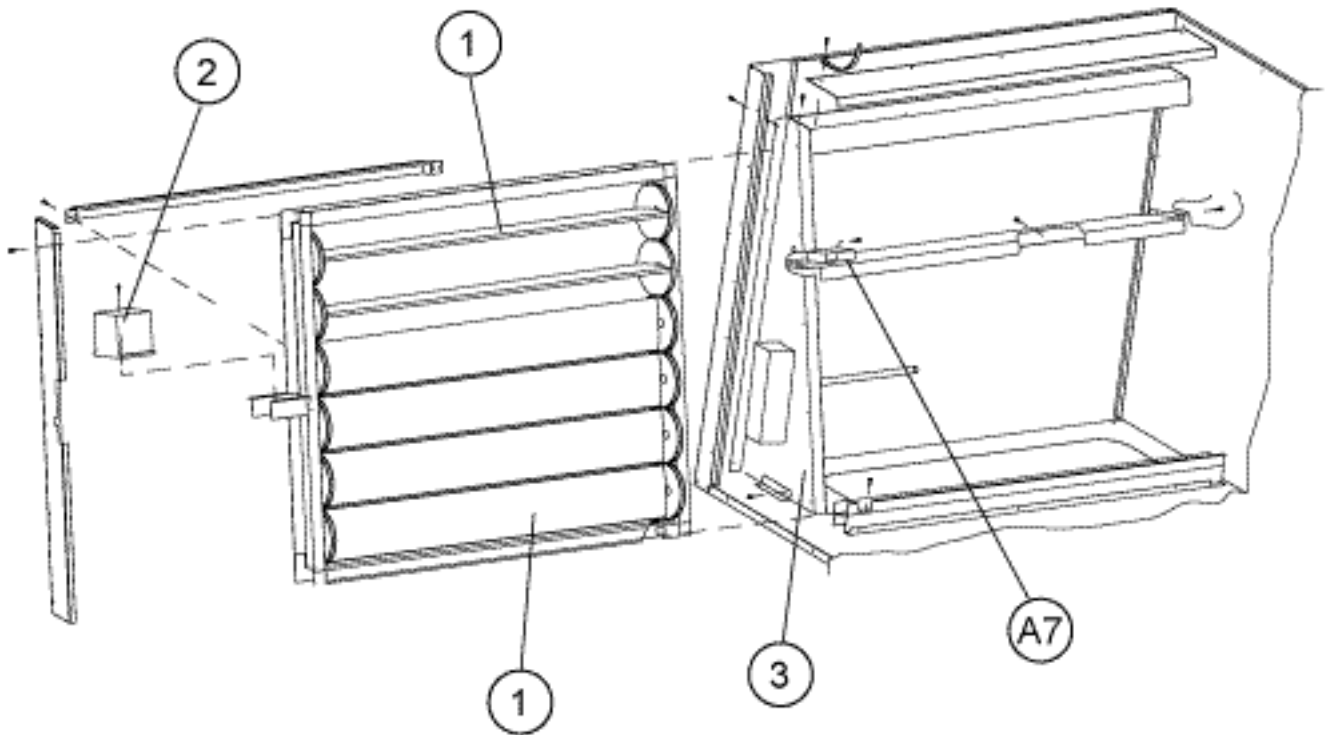
**KCA156-300SERIES
BLOWER SECTION**



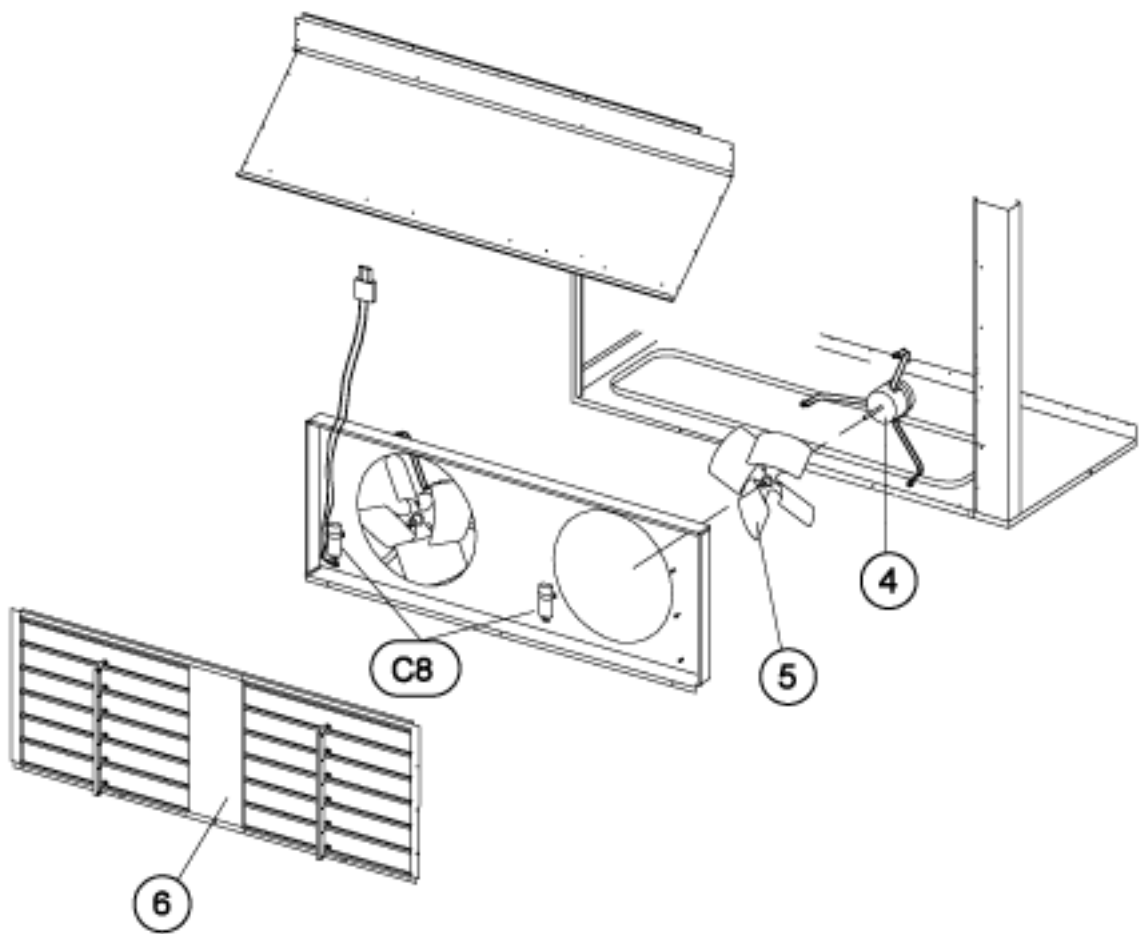
KCA 156-300 SERIES CONTROL BOX



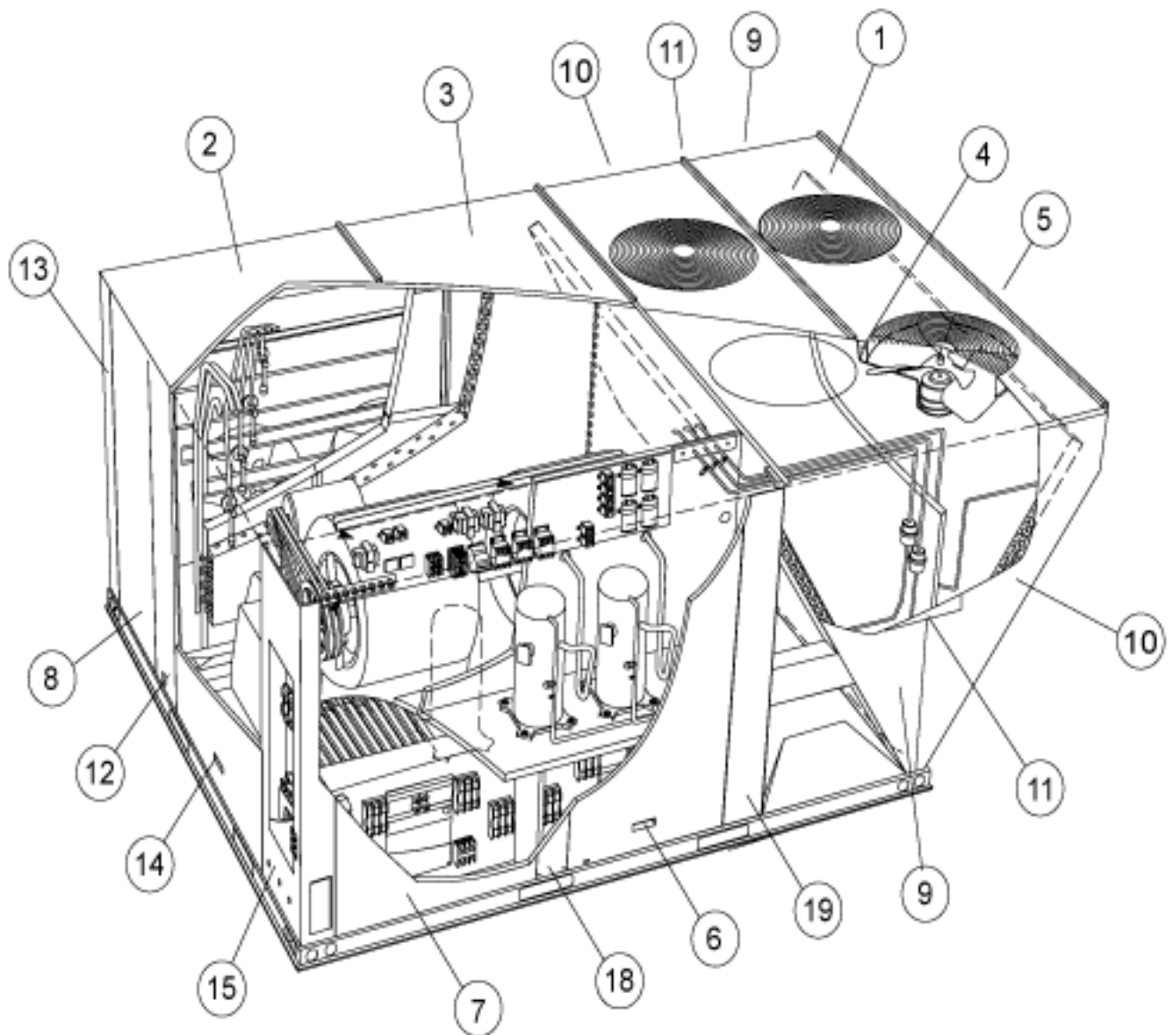
**KCA 156-300 SERIES
DAMPER ASSEMBLY**



KCA 156-300 SERIES POWER EXHAUST



KCA 156-300 SERIES



KCA210S4				DASH/Revision # with Qty	
Key	Part Name	Part Number	Description	1	2
Category:CABINET PARTS					
1	PANEL-CONDENSER TO P	601445-01	TOP-COND	1	1
10	PANEL-COND	604088-01	COND-RIGHT (BEFORE 11/03/11)	2	
10	PANEL-COND	608161-01	COND-RIGHT (AFTER 11/03/11)	2	
10	PANEL-COND	609986-01	COND REAR ENVIRON		1
10	PANEL-COND	609987-01	COND FRONT ENVIRON		1
10	PANEL-COND RIGHT	604087-01	COND-RIGHT (BEFORE 08/2/12)	2	
10	PANEL-COND RIGHT	610046-01	COND-RIGHT (AFTER 08/2/12)	2	
	PANEL-REAR	605066-03	REAR PANEL-TOP	1	1
	PANEL-REAR	605066-04	REAR PANEL-BOTTOM	1	1
11	COVER	LB-115665	COND PANEL	2	1
	COVER, PIPING	LB-65979	COVER, PIPING	1	1
	PANEL-DUCT	LB-89291E	HORIZ DUCT,L/GED		1
12	MULLION -BLOWER END	605062-03	BLOWER END (HINGED)	1	1
12	MULLION -BLOWER END	605062-02	BLR END (NO HINGE)	1	1
13	MULLION-CORNER REAR	605064-02	REAR CORNER (HINGED)	1	1
13	MULLION-CORNER REAR	605064-03	REAR CORNER (NO HINGE)	1	1
14	PANEL-BLOWER ACCESS	605061-01	BLOWER ACCESS (HINGED)	1	1
14	PANEL-BLOWER ACCESS	605061-02	BLOWER ACCESS (NO HINGE)	1	1
15	MULLION-CORNER FRONT	605060-06	CNR-FRT W/O DISC(NO HINGE)BEFORE 5/19/11	1	
15	ASSY-REPAIR PART FRONT CORNER MULLION	605060-08 SA	CNR-FRT W/ DISC (NO HINGE)BEFORE 5/19/11	1	
15	MULLION-CORNER FRONT	605060-01	CNR-FRT W/ DISC (HINGED)	1	1
15	MULLION-CORNER FRONT	605060-05	CNR-FRT W/O DISC (HINGED)	1	1
15	MULLION-CORNER FRONT	605060-10	CNR-FRT W/O DISC (NO HINGE)AFTER 5/19/11	1	1
15	MULLION-CORNER FRONT	605060-12	CNR-FRT W/DISC (NO HINGE)AFTER 5/19/11	1	1

KCA210S4				DASH/Revision # with Qty	
Key	Part Name	Part Number	Description	1	2
	DRAIN TRAP KIT (COPPER)	LB-107882B	TRAP-COND COPPER	1	1
	DRAIN TRAP KIT (PVC)	LB-107882A	L/T SERIES DRAIN TRAP KIT (PVC)	1	1
	FILTER, AIR	100929-03	24" X 24" X 2",SLAB MERV 8	6	6
	FILTER,AIR	101356-05	24" X 24" X 2",SLAB MERV 11	6	6
18	MULLION-CONTROL	602201-01	CONTROL ACCESS MULLION(NON-HINGED)	1	1
18	MULLION-CONTROL	603902-01	CTL ACCESS (HINGED)	1	1
19	MULLION-FRONT CONDENSER(6 pc blk)	602205-01	COND COIL FRONT (NO HINGE)	1	1
19	MULLION-FRONT CONDENSER(6 pc blk)	603904-01	COND COIL FRONT (HINGED)	1	1
2	PANEL-TOP	605067-01	TOP-EVAP LEFT	1	1
3	PANEL-TOP	605067-02	TOP-EVAP RIGHT	1	1
4	RING-ORIFICE	LB-100110A	RING-ORIFICE	3	3
	GRILLE-DISCHARGE	21J3101	GRILLE, FAN GUARD	3	3
5	CAP, END	608160-01	END CAP-COND (AFTER 11/03/11)	1	
5	CAP, END	609988-01	CAP, END ENVIRON		1
5	END CAP	602226-01	END CAP-COND (BEFORE 11/03/11)	1	
6	PANEL-CONTROL ACCESS	605065-03	CTL ACCESS R (NO HINGE)	1	1
6	PANEL-CONTROL ACCESS	605065-07	CTL ACCESS R (HINGED)	1	1
	SHIELD-RAIN	LB-66239	SHIELD, RAIN	1	1
7	ASSY - REPAIR PART CONTROL ACCESS PANELS	605065-04	CTL ACCESS L (NO HINGE)(BEFORE 05/19/11)	1	
7	PANEL-CONTROL	605065-09	CTL ACCESS L (NO HINGE)(AFTER 05/19/11)	1	1
7	PANEL-CONTROL	605065-14	CTL ACCESS L (HINGED)	1	1
8	PANEL- FILTER ACCESS	605063-01	FILTER ACCESS (HINGED)	1	1
8	PANEL-FILTER ACCESS	605063-02	FILTER ACCESS (NO HINGE)	1	1
9	PANEL-COND	604089-01	COND-LEFT (BEFORE 11/03/11)	2	
9	PANEL-COND	608162-01	COND-LEFT (AFTER 11/03/11)	2	

KCA210S4				DASH/Revision # with Qty	
Key	Part Name	Part Number	Description	1	2
Category:COOLING PARTS					
40	COMPRESSOR ZP61KCE -TF5-130	100227-11	5TON,200-230/60/3,COPE	3	3
40	COMPRESSOR ZP61KCE -TFD-130	100227-12	5TON,460/60/3-380-420/50/3,COP E	3	3
40	COMPRESSOR ZP61KCE -TFE-130	100227-13	5TON,575/60/3,COPE	3	3
	HARNESS-WIRING	LB-99231A	COMP- MOLDED PLUG	3	3
	HEATER-CRANKCASE	100499-07	(575V)MOLDED PLUG	3	3
	HEATER-CRANKCASE	100499-08	(480V)MOLDED PLUG	3	3
	HEATER-CRANKCASE	100499-10	(240V)MOLDED PLUG	3	3
	MOUNT PKG-COMP	74J3001PR	74J3001PR	3	3
41	COIL-OUTDOOR	103810-01	COIL COND (ENVIRON) (O/D)		2
41	OUTDOOR COIL ASSEM BLY C BOX	605068-01	W/MANIFOLD (L)	2	
41	OUTDOOR COIL ASSEM BLY C BOX	605068-02	W/MANIFOLD (R)	2	
42	605077-02 COIL-IND OOR	62W12	W/MANIFOLD	2	
42	INDOOR COIL	605077-09	COIL-INDOOR (EVIRON)		1
43	PAN - PLASTIC DRAI N	101996-03	PAN - PLASTIC DRAIN	2	2
	610469-14 DISTRIBU TOR ASSY	10C83	610469-14 DIST ASSY (2ND STAGE)		1
	610469-15 DISTRIBU TOR ASSY	10C84	610469-15 DIST ASSY (1ST & 3RD STAGE)		1
	ASSY - DISTRIBUTOR	605080-02	DISTRIBUTOR ASSY (STG 2)	1	
	ASSY - DISTRIBUTOR	605080-07	DISTRIBUTOR ASSY (STG 1 & 3)	1	
	CAP-SEAL	P-8-3187	CAP, BRASS	9	9
	DRIER	83L6101	DRIER 3/8" ODS X 3/8"ODS	3	2
	FITTING PRESS TAP	86G6401	FITTING, PRESSURE TAP	12	12
	MOUNT, COND	600480-01	O.D.COIL(LEFT REAR)	2	2
	MOUNT-COND	600481-01	O.D.COIL(LEFT FRONT)	2	2
	MOUNT-COND	601403-01	MOUNT-COND FRT RIGHT (BEFORE 1 1/03/11)	1	

KCA210S4				DASH/Revision # with Qty	
Key	Part Name	Part Number	Description	1	2
	MOUNT-COND	601404-01	MOUNT-COND REAR RIGHT (BEFORE 11/03/11)	1	
	MOUNT-COND	608164-01	MOUNT-COND REAR RIGHT (AFTER 11/03/11)	1	
	MOUNT-COND	608165-01	MOUNT-COND FRT RIGHT (AFTER 11/03/11)	1	
	SWITCH, CIRCON FLOAT	60M1301	SWITCH, CIRCON FLOAT	1	1
	SWITCH-HI PRESS	103885-01	CUT OUT 640PSIG (MANUAL RESET)		3
	SWITCH-HIGH PRESSURE MANUAL RESET	102448-01	CUTOUT 640PSIG	3	
	SWITCH-TEMP FREEZE STAT	102450-01	SWITCH-TEMP FREEZESTAT	3	3
	VALVE CORE	P-8-1897	VALVE, CORE	12	12
	VALVE-EXPANSION	100679-35	EXPANSION VALVE	2	
	PISTON KIT	100484-37	KIT RFC ASSY (.090) (2ND STAGE)		1
	KIT	100484-38	RFC KIT ASSY (.091) (1ST & 3RD STAGE)		1
44	MOTOR-FAN	79J8101	1/3HP,1075RPM,208-230/60/1	3	3
44	MOTOR-FAN	79J8201	1/3HP,1075RPM,460/60/1,380-420/50/1	3	3
44	MOTOR-FAN	79J8301	1/3HP,1075RPM,575/60/1	3	3
	HARNESS - OD FAN B4, B5, B21	609678-01	HARNESS - OD FAN B4, B5, B21		3
	HARNESS, OD FAN B4, B5, B21	603977-01	HARNESS, OD FAN B4, B5, B21	3	
	SHIELD-RAIN	P-8-6142	SHIELD, MOTOR	3	3
45	FAN	100654-01	1/2"BORE,24"DIA,3 BLADE	3	3
46	BRACKET	78L4101	MOUNT, MOTOR	3	3
Category:ELECTRIC HEATING PARTS					
1A			REFER TO THE C1EH SERIES	1	
2A			FOR ELEC HEAT REPAIR PARTS	1	
Category:CONTROL PANEL PARTS					
A183	KIT LVC2 REPAIR PART	103557-01	ASSY-P.C.BOARD LVC2 LANDMARK VFD CNT	1	1
A42	ASSY-P.C.BOARD PHASE LOSS AND REVERSAL P	103316-01	ASSY-P.C.BOARD PHASE LOSS AND REVERSAL P	1	1

KCA210S4				DASH/Revision # with Qty	
Key	Part Name	Part Number	Description	1	2
A96	607820-01 Control-Inverter 2 Hp, 230V	84W30	607820-01 Control-Inverter 2 Hp, 230V		1
A96	607820-02 Control-Inverter 2 Hp, 460V	84W31	607820-02 Control-Inverter 2 Hp, 460V		1
A96	607820-03 Control-Inverter 2 Hp, 575V	84W32	607820-03 Control-Inverter 2 Hp, 575V		1
A96	607820-04 Control-Inverter 3 Hp, 230V	84W33	607820-04 Control-Inverter 3 Hp, 230V	1	1
A96	607820-05 Control-Inverter 3 Hp, 460V	84W34	607820-05 Control-Inverter 3 Hp, 460V	1	1
A96	607820-06 Control-Inverter 3 Hp, 575V	84W35	607820-06 Control-Inverter 3 Hp, 575V	1	1
A96	607820-07 Control-Inverter 5 Hp, 230V	84W36	607820-07 Control-Inverter 5 Hp, 230V	1	1
A96	607820-08 Control-Inverter 5 Hp, 460V	84W37	607820-08 Control-Inverter 5 Hp, 460V	1	1
A96	607820-09 Control-Inverter 5 Hp, 575V	84W38	607820-09 Control-Inverter 5 Hp, 575V	1	1
A96	607820-10 Control-Inverter 7.5 Hp, 230	84W39	607820-10 Control-Inverter 7.5 Hp, 230	1	1
A96	607820-11 Control-Inverter 7.5 Hp, 460	84W40	607820-11 Control-Inverter 7.5 Hp, 460	1	1
A96	607820-12 Control-Inverter 7.5 Hp, 575	84W41	607820-12 Control-Inverter 7.5 Hp, 575	1	1
A96	607820-13 Control-Inverter 10 Hp, 230V	84W42	607820-13 Control-Inverter 10 Hp, 230V	1	1
A96	607820-14 Control-Inverter 10 Hp, 460V	84W43	607820-14 Control-Inverter 10 Hp, 460V	1	1
A96	607820-15 Control-Inverter 10 Hp, 575V	84W44	607820-15 Control-Inverter 10 Hp, 575V	1	1
A96	HARNESS - MSAV CONTROL	607115-01	HARNESS - MSAV CONTROL (VFD)	1	1
	INVERTER CONTROL PANEL	103368-01	INVERTER CONTROL PANEL TOUCH PAD	1	1
C1	CAPACITOR	39H6101	O.D.FAN,10MFD,370VAC	1	1
C1	CAPACITOR	39H6301	O.D.FAN,10MFD,370VAC (INTL)	1	1
C18	CAPACITOR	39H6101	O.D.FAN,10MFD,370VAC	1	1
C18	CAPACITOR	39H6301	O.D.FAN,10MFD,370VAC (INTL)	1	1
C2	CAPACITOR	39H6101	O.D.FAN,10MFD,370VAC	1	1
C2	CAPACITOR	39H6301	O.D.FAN,10MFD,370VAC (INTL)	1	1
DL1	RELAY-DELAY	25G4301	RELAY, TIME DELAY	1	1
DL2	RELAY-DELAY	25G4301	RELAY, TIME DELAY	1	1

KCA210S4				DASH/Revision # with Qty	
Key	Part Name	Part Number	Description	1	2
J246	HARNESS, MSAV TB13 -J246, A42	607119-01	HARNESS, TB13-J246(3,5HP-Y-G-J)	1	1
J246	HARNESS-POWER TB13 TO J246, A42	103453-01	HARNESS-PWR TB13-J246(7.5,10HP -Y)	1	1
J247	HARNESS, I.D., BLO WER MOTOR - J247/A96	601538-02	HARNESS, A96 TO J247(10HP-Y)(V FD)	1	1
J247	HARNESS, MSAV A96 TO J247	LB-115303B	HARNESS, A96 TO J247(10HP-G-J) (VFD)	1	1
J247A	HARNESS, I.D., BLO WER MOTOR - J247/A96	601538-02	HARNESS, A96 TO J247 (7.5HP-Y) (VFD)	1	1
J247A	HARNESS, MSAV A96 TO J247	LB-115303B	HARNESS, A96 TO J247(3,5 HP)(Y -G-J)(VFD)	1	1
J247B	HARNESS, MSAV A96 TO J247	LB-115303B	HARNESS, A96 TO J247(7.5HP-G-J) (VFD)	1	1
J248	HARNESS - MSAV CON TROL	607118-01	HARNESS - MSAV CONTROL (VFD)	1	1
K1	CONTACTOR	P-8-7716	COMP 2,3PDT,24V (Y VOLT)	1	1
K1	CONTACTOR-3PDT 25F LA/35RES	100438-03	COMP 1,3PDT,24V (G,J,M VOLT)	1	1
K10	RELAY	67K6501	FAN,DPDT,24V OD FAN	1	1
K13	RELAY	67K6501	HEAT,DPDT,24V STAGE 2	1	
K149	RELAY	67K6501	RELAY		1
K2	CONTACTOR	P-8-7716	COMP 2,3PDT,24V (Y VOLT)	1	1
K2	CONTACTOR-3PDT 25F LA/35RES	100438-03	COMP 1,3PDT,24V (G,J,M VOLT)	1	1
K232	RELAY	67K6501	RELAY	1	
K232	RELAY	67K6601	RELAY		1
K3	CONTACTOR	P-8-7716	BLR-3PDT,24V (7.5HP Y)	1	1
K3	CONTACTOR-3PDT 25F LA/35RES	100438-03	BLR-3PDT,24V (3,5HP Y/G/J/M VO LT)	1	1
K3A	CONTACTOR-3PDT 25F LA/35RES	100438-03	BLR-3PDT,24V (7.5, 10HP G/J/M/ VOLT)	1	1
K66	RELAY	67K6501	RELAY	1	1
K67	RELAY	67K6501	FAN,DPDT,24V STAGE 2	1	1
K68	RELAY	67K6501	RELAY	1	1
K9/K19	RELAY	67K6501	ELEC HEAT,DPDT,24V	2	2
P246	HARNESS, I.D. BLOW ER MOTOR - P246/A96	601539-02	HARNESS, A96 TO P246(10HP-Y)(V FD)	1	1

KCA210S4				DASH/Revision # with Qty	
Key	Part Name	Part Number	Description	1	2
P246	HARNESS, MSAV A96 TO P246	LB-115304B	HARNESS, A96 TO P246(3,5 HP)(Y-G-J)(VFD)	1	1
P246A	HARNESS, I.D. BLOWER MOTOR - P246/A96	601539-02	HARNESS, A96 TO P246 (7.5HP-Y)(VFD)	1	1
P246A	HARNESS, MSAV A96 TO P246	LB-115304B	HARNESS, A96 TO P246(7.5HP-G-J)(VFD)	1	1
P246B	HARNESS, MSAV A96 TO P246	LB-115304B	HARNESS, A96 TO P246(10HP-G-J)(VFD)	1	1
S42	PROTECTOR-OVLD	99K3201	BLR MTR OVLD-(SYS F)	1	1
S42	RELAY	99K2701	BLR MTR OVLD-(SYS C)	1	1
S42	RELAY	99K2801	BLR MTR OVLD-(SYS D)	1	1
S42	RELAY	99K2901	BLR MTR OVLD-(SYS J)	1	1
S42	RELAY	99K3001	BLR MTR OVLD-(SYS H)	1	1
S42	RELAY	99K3101	BLR MTR OVLD-(SYS E)	1	1
S42	RELAY	99K3301	BLR MTR OVLD-(SYS G)	1	1
S42	RELAY	99K3401	BLR MTR OVLD-(SYS B)	1	1
	BRACKET	LB-65033	BRACKET, CONTROL MOUNTING	1	1
S48	BLOCK-TERMINAL	72F8801	BLOCK, TERMINAL		1
S48	SWITCH-DISCONNECT	102536-01	150AMP	1	1
S48	SWITCH-DISCONNECT	93J3101	80AMP	1	1
	COVER	29K2401	DISC BOX	1	1
	GFI	79J9801	GFI	1	1
K52	SWITCH-PRESSURE (BLOWER PROVING)	102324-02	SWITCH-PRESSURE (BLOWER PROVING)	1	
	FITTING TOTAL PRESS SENSING BARB 90 SNAP	102392-01	FITTING TOTAL PRESS SENSING BARB 90 SNAP	1	1
T1	TRANSFORMER	51M4401	208/240V & 380/420V PRI, 24V SEC,70VA,L/	1	1
T1	TRANSFORMER	51M4501	480V PRI,24V SEC,70VA,L/FUSE	1	1
T1	TRANSFORMER	51M4601	600V PRI,24V SEC,70VA,L/FUSE	1	1
T13	TRANSFORMER	100531-01	575V PRI,230V SEC,0.5VA,L/FUSE		1
T18	TRANSFORMER	51M4401	208/240V & 380/420V PRI, 24V SEC,70VA,L/		1

KCA210S4				DASH/Revision # with Qty	
Key	Part Name	Part Number	Description	1	2
T18	TRANSFORMER	51M4501	480V PRI,24V SEC,70VA,L/FUSE		1
T18	TRANSFORMER	51M4601	600V PRI,24V SEC,70VA,L/FUSE		1
T2	TRANSFORMER	51M4401	208/240V & 380/420V PRI, 24V SEC,70VA,L/	1	1
T2	TRANSFORMER	51M4501	480V PRI,24V SEC,70VA,L/FUSE	1	1
T2	TRANSFORMER	51M4601	600V PRI,24V SEC,70VA,L/FUSE	1	1
T3	TRANSFORMER	100531-01	575V PRI,230V SEC,0.5VA,L/FUSE		1
TB1	STRIP-TERMINAL	100669-01	STRIP, TERMINAL	1	1
TB13	BLOCK-TERMINAL	81M1501	BLOCK, TERMINAL - MAR 1323580	1	1
	FUSE TIME DELAY 30 A - KLDR030	102555-01	FUSE		3
	HOLDER	89F0201	30 AMP 600 VOLT		3
TB2	BLOCK-TERMINAL	41K3901	BLOCK, TERMINAL (NO ELECT HTG)		1
Category: BLOWER PARTS					
65	MOTOR-BLOWER	101501-01	3HP,1725RPM,200-230/60/3 (STD)	1	
65	MOTOR-BLOWER	101501-02	3HP,1725RPM,460/60/3 (STD)	1	
65	MOTOR-BLOWER	101502-01	7.5HP,1750RPM,200-230/60/3 (STD)	1	
65	MOTOR-BLOWER	101502-02	7.5HP,1750RPM,460/60/3 (STD)	1	
65	MOTOR-BLOWER	101678-01	MOTOR, 5HP 208/230/60/3	1	
65	MOTOR-BLOWER	101678-02	5HP,1750RPM,460/60/3	1	
65	MOTOR-BLOWER	31L4601	7.5HP,1750RPM,575/60/3 (STD)	1	
65	MOTOR-BLOWER	43G3201	3HP,1725RPM,575/60/3 (STD)	1	
65	MOTOR-BLOWER	49A4301	2HP,1745RPM,380/420/50/3		1
65	MOTOR-BLOWER	49A4401	MOTOR, 3HP 3PH 230/400V	1	1
65	MOTOR-BLOWER	49A4501	5HP,1745RPM,380/420/50/3 (STD)	1	1
65	MOTOR-BLOWER	49A4601	10HP,1445RPM,380/420/50/3 (STD)		1
65	MOTOR-BLOWER	P-8-11298	7.5HP,1465RPM,380/420/50/3 (STD)	1	1

KCA210S4				DASH/Revision # with Qty	
Key	Part Name	Part Number	Description	1	2
65	MOTOR-BLOWER	P-8-5702	5HP,1745RPM,575/60/3 (STD)	1	
65	MOTOR-BLOWER 10 HP 200-230 VOLT	102972-01	10HP,1770RPM,208/230/60/3 (STD)		1
65	MOTOR-BLOWER 10 HP 460 VOLT	102972-02	10HP,1770RPM,460//60/3 (STD)		1
65	MOTOR-BLOWER 10 HP 575 VOLT	102972-03	10HP,1770RPM,575/60/3 (STD)		1
65	MOTOR-BLOWER 2.0HP , 200-230V, 60HZ	103202-01	2HP,1745RPM,208/230/60/3 (NON VFD)		1
65	MOTOR-BLOWER 2.0HP , 200-230V, 60HZ	103202-04	2HP,1755RPM,208/230/60/3 (HI EFF)		1
65	MOTOR-BLOWER 2.0HP , 460V, 60HZ	103202-05	2HP,1750RPM,460/60/3 (HI EFF)		1
65	MOTOR-BLOWER 2.0HP , 575V, 60HZ	103202-03	2HP,1755RPM,575/60/3 (NON VFD)		1
65	MOTOR-BLOWER 2.0HP , 575V, 60HZ	103202-06	2HP,1745RPM,575/60/3 (HI EFF)		1
65	MOTOR-BLOWER 2.0HP ,460V,60HZ	103202-02	2HP,1745RPM,460/60/3 (NON VFD)		1
65	MOTOR-BLOWER 3.0HP , 200-230V, 60HZ	103204-01	3HP,1725RPM, 208-230V, (STD)		1
65	MOTOR-BLOWER 3.0HP , 460V, 60HZ	103204-02	3HP,1725RPM,460/60/3 (STD)		1
65	MOTOR-BLOWER 3.0HP , 575V, 60HZ	103204-03	3HP,1725RPM,575/60/3 (STD)		1
65	MOTOR-BLOWER 5HP - 230V - 3 PHASE	103021-01	5HP,1745RPM,200-230/60/3 (STD)		1
65	MOTOR-BLOWER 5HP - 460V - 3 PHASE	103021-02	5HP,1750RPM,460/60/3 (STD)		1
65	MOTOR-BLOWER 5HP - 575V - 3 PHASE	103021-03	5HP,1745RPM,575/60/3 (STD)		1
65	MOTOR-BLOWER 7.5 H P 200-230 VOLT	102973-01	7.5HP,1750RPM,200-230/60/3 (STD)		1
65	MOTOR-BLOWER 7.5 H P 460 VOLT	102973-02	7.5HP,1750RPM,460/60/3 (STD)		1
65	MOTOR-BLOWER 7.5 H P 575 VOLT	102973-03	7.5HP,1750RPM,575/60/3 (STD)		1
66	PULLEY-MOTOR	100239-03	1-1/8"BORE,6.50 OD (PKG 4)	1	1
66	PULLEY-MOTOR	41C1301	1-1/8"BORE,6.00 OD (PKG 5)	1	1
66	PULLEY-MOTOR	78L5501	1-3/8"BORE,6.00 OD (PKG 7)	1	1
66	PULLEY-MOTOR	78M7001	1-3/8"BORE,5.95 OD (PKG 9)	1	1
66	PULLEY-MOTOR	78M7101	1-3/8"BORE,6.50 OD(PKG 6,8,10, 11)	1	1
66	PULLEY-MOTOR	79J0301	7/8" BORE,3.75 OD (PKG 1,2)	1	1

KCA210S4				DASH/Revision # with Qty	
Key	Part Name	Part Number	Description	1	2
66	PULLEY-MOTOR	P-8-1977	1-1/8"BORE,4.75 OD (PKG 3)	1	1
	BUSHING	100246-01	BUSHING, SPLIT TAPER (DRV KIT 10-11)	1	1
	BUSHING	49M6201	BUSHING,SPLIT TAPER (DRV KIT 4-9)	1	1
67	BELT	100245-08	BX65 (PKG 4)	1	1
67	BELT	100245-20	BX66 (PKG 11)	1	1
67	BELT	100245-21	BX67 (PKG 10)	1	1
67	BELT	57A7701	BX62 (PKG 9)	1	1
67	BELT	59A5001	BX59 (PKG 1)	1	1
67	BELT	63K0501	BX55 (PKG 2)	1	1
67	BELT	93J9801	BX61 (PKG 3,5)	1	1
67	BELT	97J5501	BX63 (PKG 7)	1	1
67	BELT	97J5801	BX64 (PKG 8)	1	1
67	BELT	97J5901	BX66 (PKG 6)	1	1
	ANGLE	LB-114906	BEARING	2	2
	TENSIONER ASSY C B OX	604235-06	INCLUDES TENSIONER, BRKT PLATE SPACE	1	1
68	HOUSING-BLOWER	605004-01	ASSY- REPAIR PART BLOWER S.A.	1	1
68	HOUSING-BLOWER	605004-02	PAINTED	1	1
	PLATE-CUTOFF	LB-66131	PLATE, CUTOFF L SERIES(STUTT)	1	1
	PLATE-CUTOFF	LB-66131CP	PAINTED	1	1
69	DECK-BLOWER	601189-01	BLOWER DECK	1	1
70	KEY	LB-69329	BLOWER WHEEL	2	2
70	WHEEL-BLOWER	LB-29333BCS	1-7/16"BORE,15"X15"	2	2
	KEY	LB-69329	BLOWER WHEEL	2	2
71	KEY	LB-20769	KEY, BLOWER SHAFT 3/8 X 1-3/4" LONG	1	1
71	SHAFT-BLOWER	39L1401	SHAFT, BLOWER 1-7/16" DIA X 51-1/4" LONG	1	1

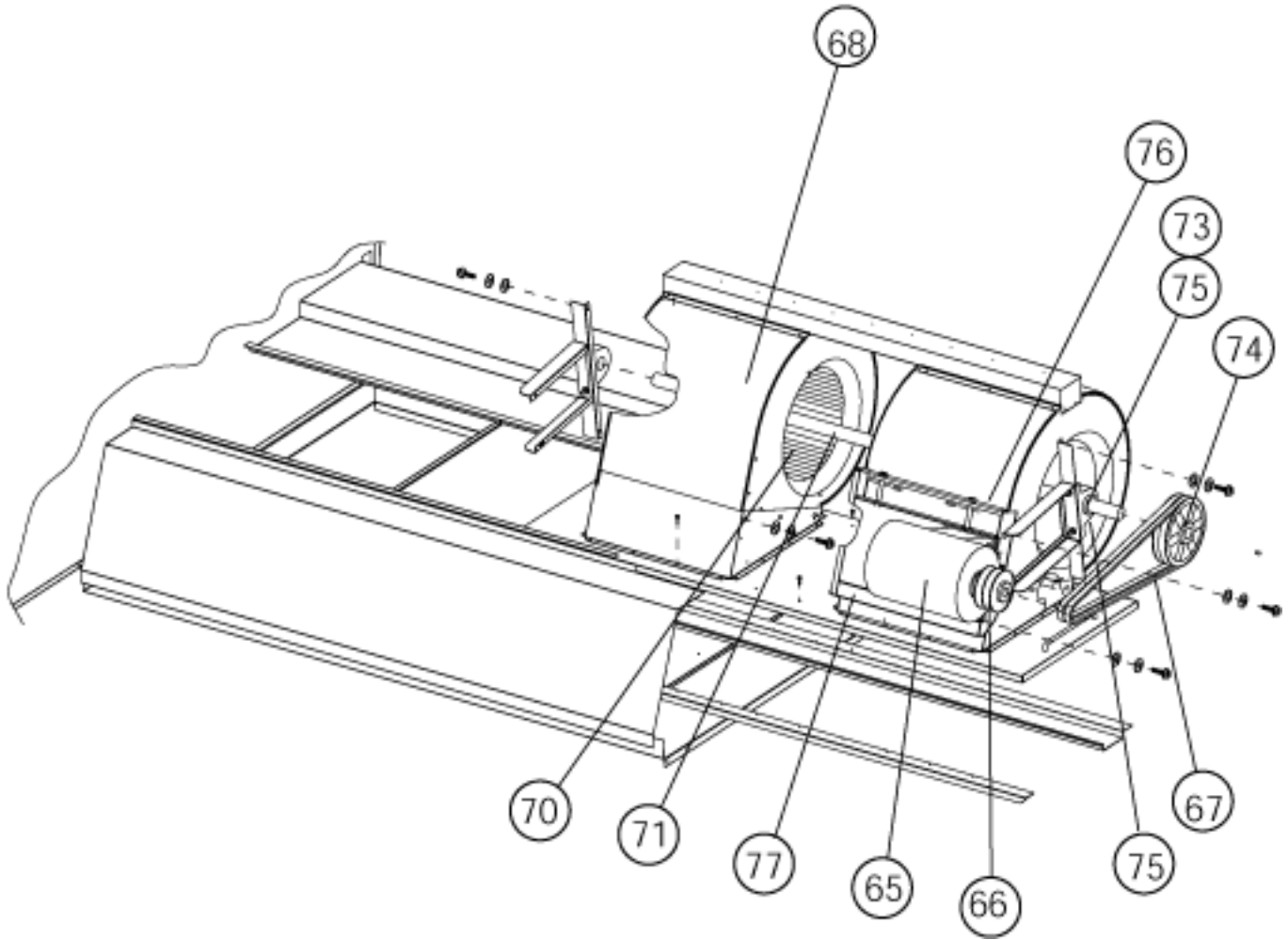
KCA210S4				DASH/Revision # with Qty	
Key	Part Name	Part Number	Description	1	2
	KEY	LB-20769	KEY, BLOWER SHAFT 3/8 X 1-3/4" LONG	1	1
73	BEARING	60M3401	1-7/16"BORE	2	2
74	PULLEY-BLOWER	100240-05	1-7/16"BORE,8.28 OD (PKG 11)	1	1
74	PULLEY-BLOWER	100244-13	1-7/16"BORE,6.95 OD (PKG 2)	1	1
74	PULLEY-BLOWER	100788-03	1-5/8"BORE, 7.75 OD (PKG 9)	1	1
74	PULLEY-BLOWER	100788-04	1-7/16"BORE,8.75 OD(PKG 5,7,8)	1	1
74	PULLEY-BLOWER	100788-06	1-7/16"BORE,10.75 OD (PKG 4,6)	1	1
74	PULLEY-BLOWER	39L1301	1-7/16"BORE,9.75 OD (PKG 3)	1	1
74	PULLEY-BLOWER	78M8301	2-5/8"BORE,8.88 OD (PKG 10)	1	1
74	PULLEY-BLOWER	80K1601	1-7/16"BORE,9.25 OD (PKG 1)	1	1
75	BRACKET-MOUNTING	600905-01	BEARING	2	2
76	MOUNT-BLR MTR	LB-109950A	2- 5HP	1	1
76	MOUNT-BLR MTR	LB-109950B	7.5, 10HP	1	1
77	ASSY - FRAME (BLOWER MOTOR)	605003-01	BLR MTR MOUNT	2	2
	HARNESS, OVERLOAD K3 - S42	602238-01	BLR MTR-K3-S42	2	2
	LINE - DISCHARGE	LB-109458	BLOWER		2
	PLATE-MOTOR MOUNTING	606458-03	SC80W82 BLWR MOTOR MNTG ADDER(SEC)	2	2
	TRANSITION-(BLOWER FILLER)	604229-01	TRANSITION-(BLOWER FILLER)	2	2
P247	HARNESS, MSAV BLOWER MOTOR WIRE	606656-01	HARNESS, BLOWER P-247(3-5HP-Y-ALL-G-J)	1	1
P247	HARNESS-MOTOR B3 - P247	103343-01	HARNESS-MOTOR B3 - P247(7.5 & 10HP-Y)	1	1
Category:*OPTIONAL PARTS-FIELD INSTALLED					
KIT 1	C1SNSR44C-1 SMOKE DET. SUP OR RET C-BOX	603408-07	SUPPLY & RETURN (INCLUDES NEXT 8 PARTS)	1	1
	BRACKET, SD POWER BOARD	606620-01	BRACKET, SD POWER BOARD	1	1
	HARNESS - JUMPER SMOKE DETECTOR SUPPLY	604374-01	HARNESS - JUMPER SMOKE DETECTOR SUPPLY	1	1
	SMOKE DETECTOR D4P 120 POWER BOARD	102326-02	POWER BOARD	1	1

KCA210S4				DASH/Revision # with Qty	
Key	Part Name	Part Number	Description	1	2
	SMOKE DETECTOR D4S SENSOR COMPONENT	102325-01	SMOKE DETECTOR SENSOR	1	1
	SMOKE DETECTOR PHO TOELECTRIC	103447-01	SMOKE DETECTOR SENSOR HEAD	1	1
	STAND-OFF SMOKE DE TECTOR (4 pc blk)	604227-01	SENSOR	1	1
	TUBE-AIR DUCT SAMP LING 30 IN	102371-06	TUBE-AIR DUCT SAMPLING 30 IN	1	1
	TUBE-AIR DUCT SAMP LING 36 IN	102371-03	TUBE-AIR DUCT SAMPLING 36 IN	1	1
KIT 2	ENTHALPY KIT	LB-88401A	INCL NEXT 2 PARTS	1	1
	HARNESS-WIRING	LB-68994	ENTHALPY	1	1
	SENSOR	54G4401	ENTHALPY	1	1
KIT 3	KIT-LO AMBIENT	LB-107318B	LOW-AMB KIT TC/TGA "B" BOX	1	1
	HARNESS	604727-01	HARNESS	1	1
	SWITCH-LO AMBIENT	38M7801	SWITCH, PRESSURE LOW AMBIENT R 410A	1	1
Category:ECONOMIZER SECTION					
	C1HOOD10C-1 OUTDOO R AIR HOOD PKG	LB-68921F	OAH ASSY	1	1
1	C1DAMP10C-1 MANUA L OAD	604592-01	OAD-MANUAL	1	1
1	K1DAMP20C-1 MOTORI ZED OAD	604592-05	OAD-LA-OADM-MOTORIZED	1	1
1	K1ECON15C ECONOMI ZER	604592-03	ECONOMIZER	1	1
	FILTER	48J0101	OAH(16" X 25" X 1)-WASHABLE	1	1
2	MOTOR-ACTUATOR SIE MENS 62 IN-LB MOD	102692-01	MOTOR-ACTUATOR SIEMENS(MODULAT ING)	1	1
2	MOTOR-DAMPER HONEY WELL	56M8101	MOTOR DAMPER(MODULATING)	1	1
2	MOTOR-DAMPER HONEY WELL	60M1101	24V	1	1
2	MOTOR-DAMPER HONEY WELL	78G6701	24V-OAD	1	1
2	MOTOR-DAMPER SIEME NS	102691-02	MOTOR-ACTUATOR SIEMENS(OAD)	1	1
3	SUPPORT, ECONOMIZE R SIDE	LB-109366	SUPPORT, ECONOMIZER SIDE	1	1
A7	SENSOR	54G4401	SENSOR, ENTHALPY	1	1
	HARNESS-WIRING	LB-68994	A7	1	1

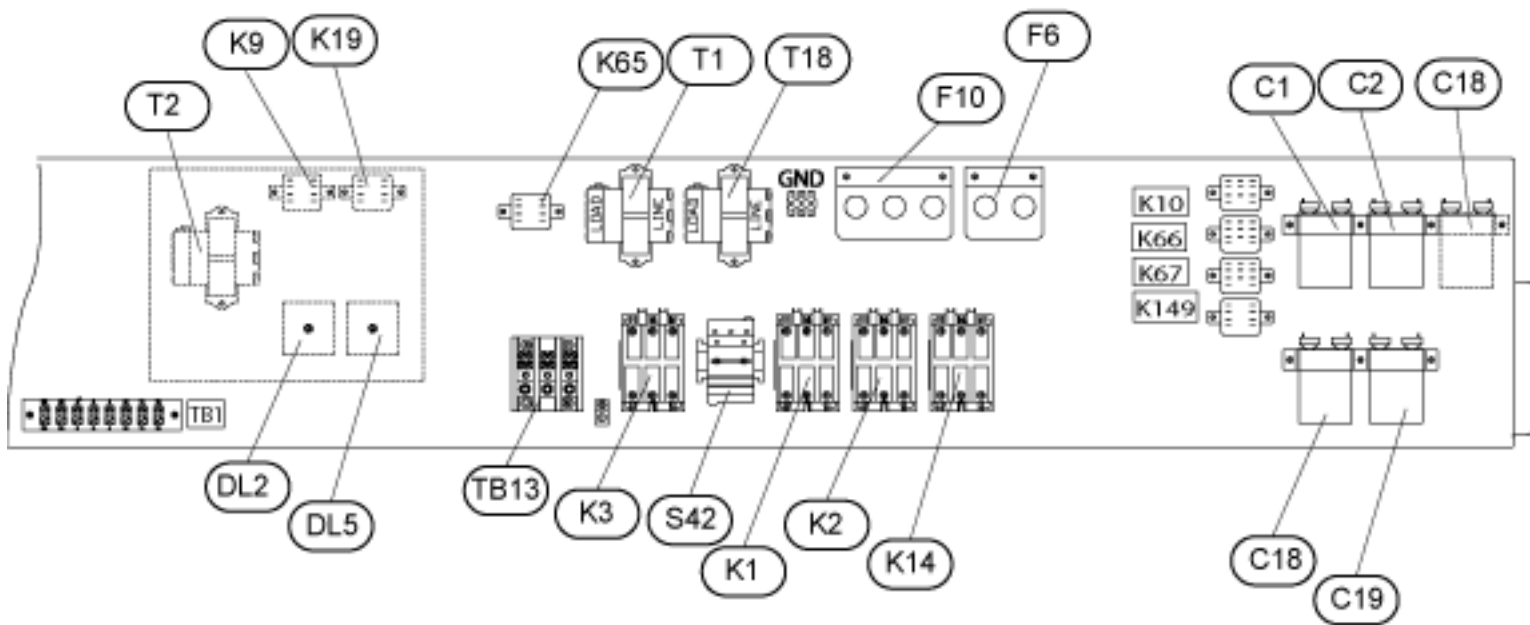
KCA210S4				DASH/Revision # with Qty	
Key	Part Name	Part Number	Description	1	2
R1	SENSOR	79J0901	MIXED/SUPPLY AIR	1	1
	CONTROLLER	60M1001	ECON-ENTHALPY	1	1
	RESISTOR ASSEMBLY - SSC ECONO	102578-01	RESISTOR RESISTOR ASSEMBLY - S SC ECONO	1	1
S175	SENSOR SINGLE SENS IBLE CONTROL	102527-01	SENSOR SINGLE SENSIBLE CONTROL	1	1
Category:EXHAUST AIR DAMPER SECTION					
	PANEL-DUCT	LB-89291E	HORIZ DUCT,L/GED	1	1
4	MOTOR-FAN	79J8101	1/3HP,1075RPM,208-230/60/1	3	3
4	MOTOR-FAN	79J8201	1/3HP,1075RPM,460/60/1	3	3
4	MOTOR-FAN	79J8301	1/3HP,1075RPM,575/60/1	3	3
	MOUNT-MOTOR	63K6701	MOUNT, MOTOR	3	3
5	FAN	57A6601	FAN, ASSY 20"	3	3
6	DOWNFLOW GED WITH HOOD	604593-01	DOWNFLOW-COMPLETE ASSY	1	1
7	EXHAUST-GRAVITY	LB-68922B	HORIZ-COMPLETE ASSY	1	1
	HOOD KIT, GED C BO X	603259-01	GED	1	1
	FILTER	48J0101	HOOD-OUTDOOR AIR,16"X25" X 1"- WASHABLE	1	1
C18	CAPACITOR	39H6101	O.D.FAN,10MFD,370VAC		1
C18	CAPACITOR	39H6301	O.D.FAN,10MFD,370VAC (INTL)	1	

NOTE

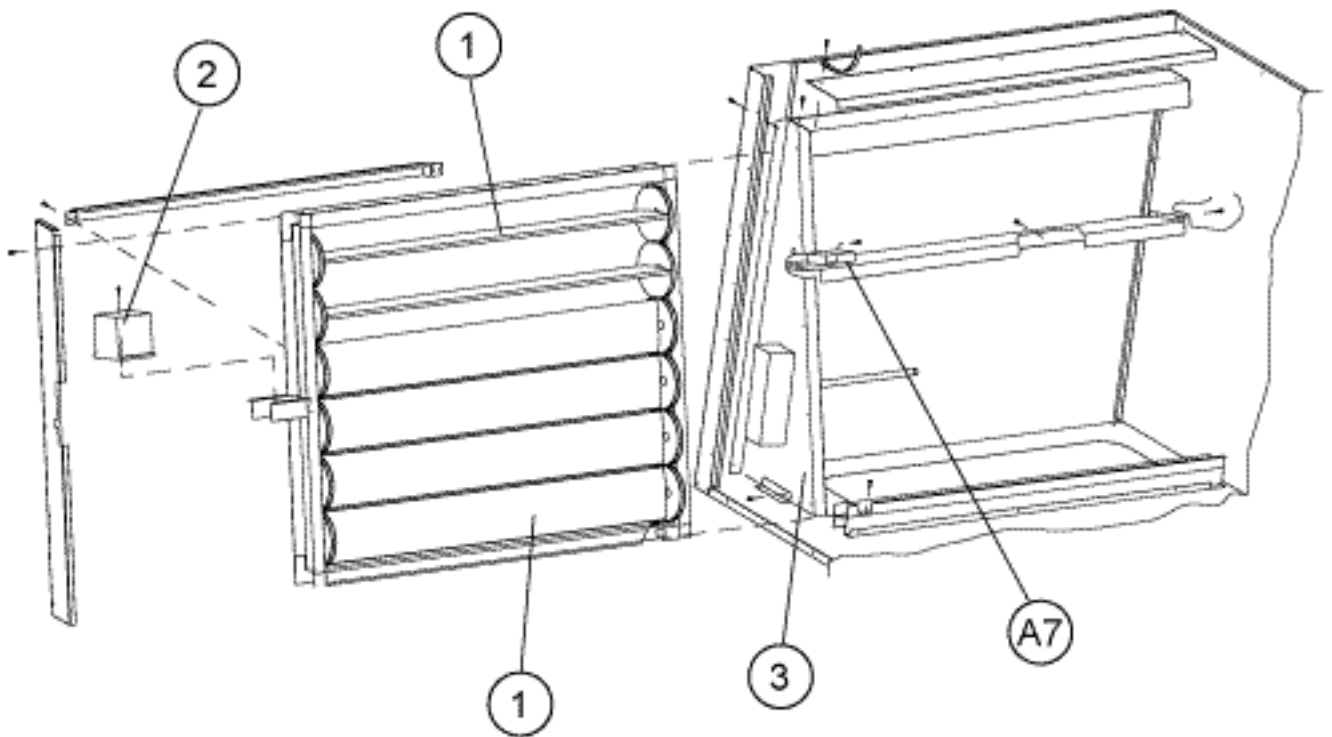
**KCA156-300SERIES
BLOWER SECTION**



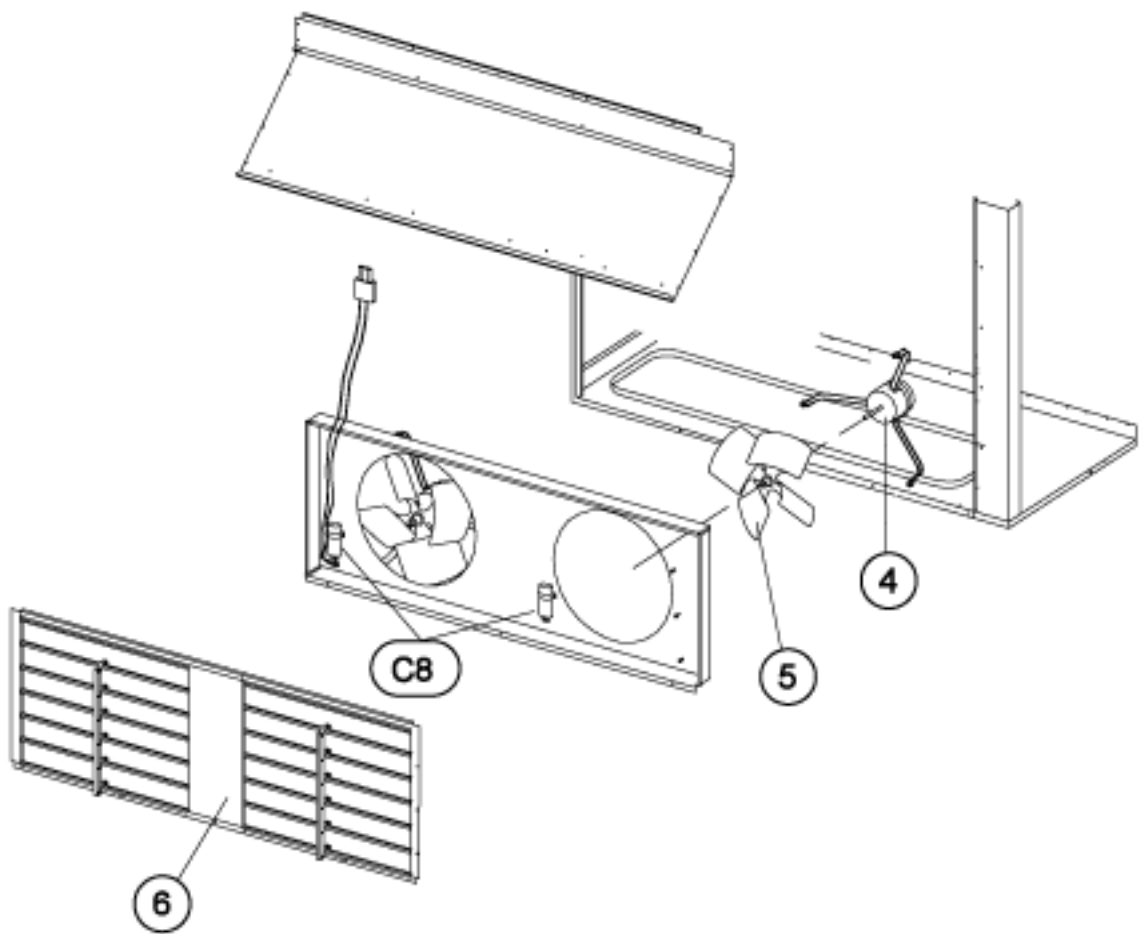
KCA 156-300 SERIES CONTROL BOX



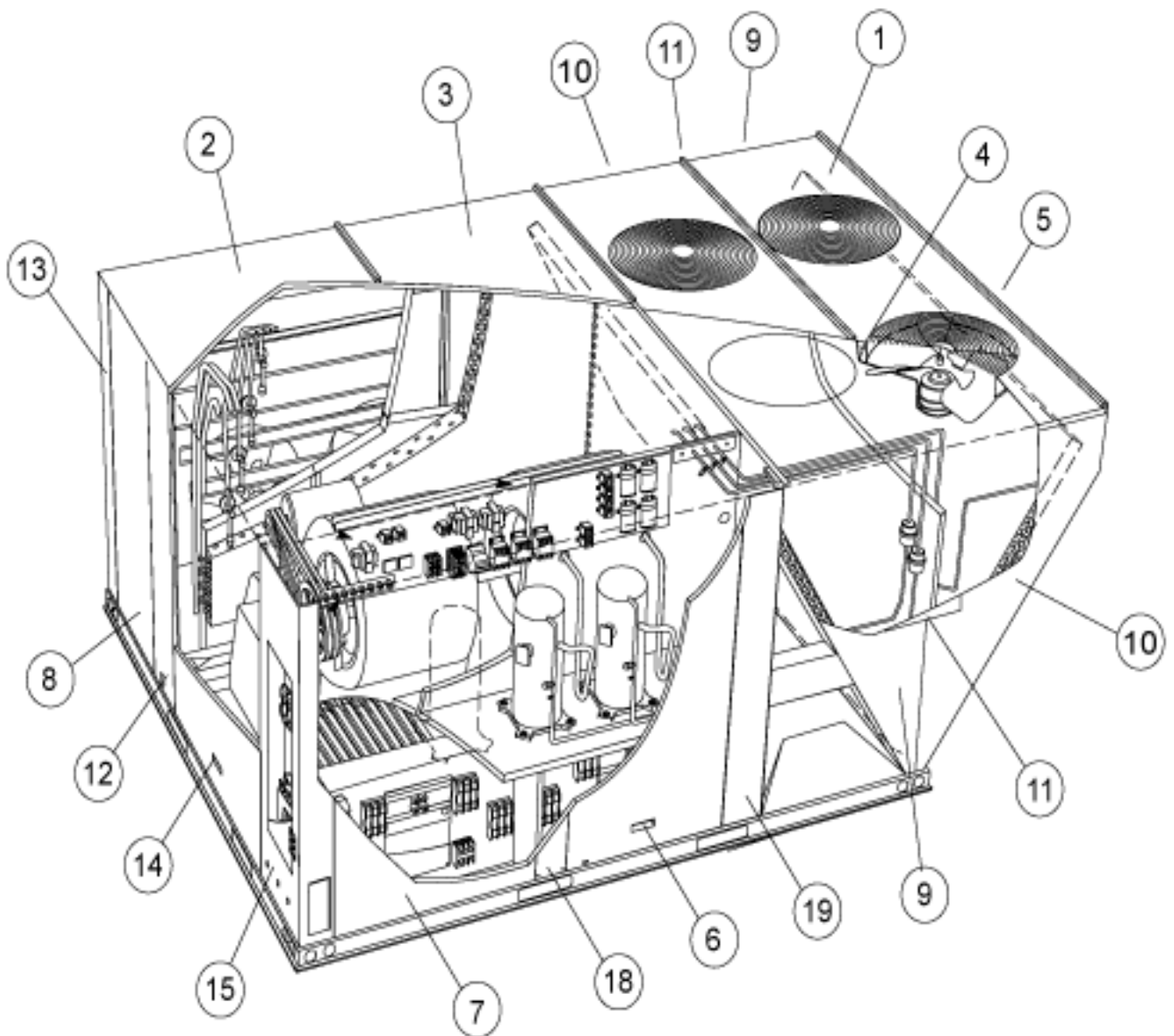
**KCA 156-300 SERIES
DAMPER ASSEMBLY**



KCA 156-300 SERIES POWER EXHAUST



KCA 156-300 SERIES



KCA240S4				DASH/Revision # with Qty	
Key	Part Name	Part Number	Description	1	2
Category:CABINET PARTS					
1	PANEL - CONDENSER TOP	601429-01	PANEL - CONDENSER TOP	2	2
10	PANEL-COND	604088-01	COND-RIGHT (BEFORE 11/03/11)	2	
10	PANEL-COND	608161-01	COND-RIGHT (AFTER 11/03/11)	2	
10	PANEL-COND	609986-01	COND REAR ENVIRON		1
10	PANEL-COND	609987-01	COND FRONT ENVIRON		1
10	PANEL-COND RIGHT	604087-01	COND-RIGHT (BEFORE 08/2/12)	2	
10	PANEL-COND RIGHT	610046-01	COND-RIGHT (AFTER 08/2/12)	2	
	COVER, PIPING	LB-65979	COVER, PIPING	1	1
	PANEL-DUCT	LB-89291E	HORIZ DUCT,L/GED		1
	PANEL-REAR	605066-03	REAR PANEL-TOP	1	1
	PANEL-REAR	605066-04	REAR PANEL-BOTTOM	1	1
11	COVER	LB-115665	COND PANEL	2	1
12	MULLION -BLOWER END	605062-03	BLOWER END (HINGED)	1	1
12	MULLION -BLOWER END	605062-02	BLOWER END (NO HINGE)	1	1
13	MULLION-CORNER REAR	605064-02	REAR CORNER (HINGED)	1	1
13	MULLION-CORNER REAR	605064-03	REAR CORNER (NO HINGE)	1	1
14	PANEL-BLOWER ACCESS	605061-01	BLOWER ACCESS (HINGED)	1	1
14	PANEL-BLOWER ACCESS	605061-02	BLOWER ACCESS (NO HINGE)	1	1
15	MULLION-CORNER FRONT	605060-06	CNR-FRT W/O DISC(NO HINGE)BEFORE 5/19/11	1	
15	ASSY-REPAIR PART FRONT CORNER MULLION	605060-08 SA	CNR-FRT W/ DISC (NO HINGE)BEFORE 5/19/11	1	
15	MULLION-CORNER FRONT	605060-01	CNR-FRT W/ DISC (HINGED)	1	1
15	MULLION-CORNER FRONT	605060-05	CNR-FRT W/O DISC (HINGED)	1	1
15	MULLION-CORNER FRONT	605060-10	CNR-FRT W/O DISC (NO HINGE)AFTER 5/19/11	1	1
15	MULLION-CORNER FRONT	605060-12	CNR-FRT W/DISC (NO HINGE)AFTER 5/19/11	1	1

KCA240S4				DASH/Revision # with Qty	
Key	Part Name	Part Number	Description	1	2
	DRAIN TRAP KIT (COPPER)	LB-107882B	TRAP-COND COPPER	1	1
	DRAIN TRAP KIT (PVC)	LB-107882A	L/T SERIES DRAIN TRAP KIT (PVC)	1	1
	FILTER, AIR	100929-03	24" X 24" X 2",SLAB MERV 8	6	6
	FILTER,AIR	101356-05	24" X 24" X 2",SLAB MERV 11	6	6
18	MULLION-CONTROL	602201-01	CONTROL ACCESS MULLION(NON-HINGED)	1	1
18	MULLION-CONTROL	603902-01	CTL ACCESS (HINGED)	1	1
19	MULLION-FRONT CONDENSER(6 pc blk)	602205-01	COND COIL FRONT (NO HINGE)	1	1
19	MULLION-FRONT CONDENSER(6 pc blk)	603904-01	COND COIL FRONT (HINGED)	1	1
2	PANEL-TOP	605067-01	TOP-EVAP LEFT	1	1
3	PANEL-TOP	605067-02	TOP-EVAP RIGHT	1	1
4	RING-ORIFICE	LB-100110A	RING-ORIFICE	4	6
	GRILLE-DISCHARGE	21J3101	GRILLE, FAN GUARD	4	4
5	CAP, END	608160-01	END CAP-COND (AFTER 11/03/11)	1	
5	CAP, END	609988-01	CAP, END ENVIRON		1
5	END CAP	602226-01	END CAP-COND (BEFORE 11/03/11)	1	
6	PANEL-CONTROL ACCESS	605065-03	CTL ACCESS R (NO HINGE)	1	1
6	PANEL-CONTROL ACCESS	605065-07	CTL ACCESS R (HINGED)	1	1
	SHIELD-RAIN	LB-66239	CTL ACCESS	1	1
7	ASSY - REPAIR PART CONTROL ACCESS PANELS	605065-04	CTL ACCESS L (NO HINGE)(BEFORE 05/19/11)	1	
7	PANEL-CONTROL	605065-09	CTL ACCESS L (NO HINGE)(AFTER 05/19/11)	1	1
7	PANEL-CONTROL	605065-14	CTL ACCESS L (HINGED)	1	1
8	PANEL- FILTER ACCESS	605063-01	FILTER ACCESS (HINGED)	1	1
8	PANEL-FILTER ACCESS	605063-02	FILTER ACCESS (NO HINGE)	1	1
9	PANEL-COND	604089-01	COND-LEFT (BEFORE 11/03/11)	2	
9	PANEL-COND	608162-01	COND-LEFT (AFTER 11/03/11)	2	

KCA240S4				DASH/Revision # with Qty	
Key	Part Name	Part Number	Description	1	2
Category:COOLING PARTS					
40	COMPRESSOR	100227-08	6TON,200-230/60/3,COPE	3	3
40	COMPRESSOR	100227-09	6TON,460/60/3-380-420/50/3,COP E	3	3
40	COMPRESSOR	100227-10	6TON,575/60/3,COPE	3	3
	HARNESS-WIRING	LB-99231A	COMP- MOLDED PLUG	3	3
	HEATER-CRANKCASE	100499-07	(575V)MOLDED PLUG	3	3
	HEATER-CRANKCASE	100499-08	(480V)MOLDED PLUG	3	3
	HEATER-CRANKCASE	100499-10	(240V)MOLDED PLUG	3	3
	MOUNT PKG-COMP	74J3001PR	74J3001PR	3	3
41	COIL-OUTDOOR	103768-01	COIL COND (ENVIRON) (O/D)		2
41	OUTDOOR COIL ASSEM BLY C BOX	605068-03	W/MANIFOLD (L)	2	
41	OUTDOOR COIL ASSEM BLY C BOX	605068-04	W/MANIFOLD (R)	2	
42	605077-03 COIL-IND OOR	62W13	605077-03 COIL-INDOOR	2	
42	INDOOR COIL	605077-10	COIL-INDOOR (EVIRON)		1
43	PAN - PLASTIC DRAI N	101996-03	PAN - PLASTIC DRAIN	2	2
	610469-12 DISTRIBU TOR ASSY	10C81	610469-12 DISTRIBUTOR ASSY		1
	ASSY - DISTRIBUTOR	605080-01	ASSY - DISTRIBUTOR	2	
	CAP-SEAL	P-8-3187	CAP, BRASS	9	9
	DRIER	83L6101	LIQUID LINE	3	3
	FITTING PRESS TAP	86G6401	FITTING, PRESSURE TAP	12	12
	KIT RFC (.097)	100484-57	KIT RFC (.097)		1
	MOUNT-COND	601403-01	O.D.COIL(RIGHT FRONT)	1	
	MOUNT-COND	601404-01	O.D.COIL(RIGHT REAR)	1	
	MOUNT-COND	608164-01	MOUNT-COND REAR RIGHT (AFTER 1 1/03/11)	1	
	MOUNT-COND	608165-01	MOUNT-COND FRT RIGHT (AFTER 11 /03/11)	1	

KCA240S4				DASH/Revision # with Qty	
Key	Part Name	Part Number	Description	1	2
	MOUNT-COND REAR LE FT (15 pc blk)	601737-01	O.D.COIL(LEFT REAR)	2	2
	MOUNT-CONDENSER FRONT LEFT(5pcblk)	601738-01	O.D.COIL(LEFT FRONT)	2	2
	SWITCH, CIRCON FLOAT	60M1301	SWITCH, CIRCON FLOAT	1	1
	SWITCH-HI PRESS	103885-01	CUT OUT 640PSIG (MANUAL RESET)		3
	SWITCH-HIGH PRESSURE MANUAL RESET	102448-01	CUTOUT 640PSIG	2	
	SWITCH-TEMP FREEZE STAT	102450-01	SWITCH-TEMP FREEZESTAT	3	3
	VALVE CORE	P-8-1897	VALVE, CORE 8075910047	12	12
	VALVE-EXPANSION	100679-35	100679-35	3	
44	MOTOR-FAN	79J8101	1/3HP,1075RPM,208-230/60/1	4	4
44	MOTOR-FAN	79J8201	1/3HP,1075RPM,460/60/1,380-420/50/1	4	4
44	MOTOR-FAN	79J8301	1/3HP,1075RPM,575/60/1	4	4
	HARNESS - J87 - OD FAN B21,B22	609675-01	HARNESS - OD FAN B21,B22		4
	HARNESS - P86 - OD FAN B4,B5	609673-01	HARNESS - OD FAN B4,B5		4
	HARNESS, OD FAN	602191-01	HARNESS, OD FAN B4, B5	4	
	HARNESS, OD FAN B4, B5	602190-01	HARNESS, OD FAN B4, B5	4	
	SHIELD-RAIN	P-8-6142	SHIELD, MOTOR	4	4
45	FAN	100654-01	1/2"BORE,24"DIA,3 BLADE	4	4
46	BRACKET	78L4101	MOUNT, MOTOR	4	4
Category:ELECTRIC HEATING PARTS					
1A			FOR ELEC HEAT REPAIR PARTS	1	
2A			REFER TO THE C1EH SERIES	1	
Category:CONTROL PANEL PARTS					
A183	KIT LVC2 REPAIR PART	103557-01	ASSY-P.C.BOARD LVC2 LANDMARK VFD CNT	1	1
A42	ASSY-P.C.BOARD PHASE LOSS AND REVERSAL P	103316-01	ASSY-P.C.BOARD PHASE LOSS AND REVERSAL P	1	1
A96	607820-01 Control-Inverter 2 Hp, 230V	84W30	"607820-01 Control-Inverter 2 Hp, 230V"	1	1

KCA240S4				DASH/Revision # with Qty	
Key	Part Name	Part Number	Description	1	2
A96	607820-02 Control-Inverter 2 Hp, 460V	84W31	"607820-02 Control-Inverter 2 Hp, 460V"	1	1
A96	607820-03 Control-Inverter 2 Hp, 575V	84W32	607820-03 Control-Inverter 2 Hp, 575V	1	1
A96	607820-04 Control-Inverter 3 Hp, 230V	84W33	607820-04 Control-Inverter 3 Hp, 230V	1	1
A96	607820-05 Control-Inverter 3 Hp, 460V	84W34	607820-05 Control-Inverter 3 Hp, 460V	1	1
A96	607820-06 Control-Inverter 3 Hp, 575V	84W35	607820-06 Control-Inverter 3 Hp, 575V	1	1
A96	607820-07 Control-Inverter 5 Hp, 230V	84W36	607820-07 Control-Inverter 5 Hp, 230V	1	1
A96	607820-08 Control-Inverter 5 Hp, 460V	84W37	607820-08 Control-Inverter 5 Hp, 460V	1	1
A96	607820-09 Control-Inverter 5 Hp, 575V	84W38	607820-09 Control-Inverter 5 Hp, 575V	1	1
A96	607820-10 Control-Inverter 7.5 Hp, 230	84W39	607820-10 Control-Inverter 7.5 Hp, 230	1	1
A96	607820-11 Control-Inverter 7.5 Hp, 460	84W40	607820-11 Control-Inverter 7.5 Hp, 460	1	1
A96	607820-12 Control-Inverter 7.5 Hp, 575	84W41	607820-12 Control-Inverter 7.5 Hp, 575	1	1
A96	607820-13 Control-Inverter 10 Hp, 230V	84W42	607820-13 Control-Inverter 10 Hp, 230V	1	1
A96	607820-14 Control-Inverter 10 Hp, 460V	84W43	607820-14 Control-Inverter 10 Hp, 460V	1	1
A96	607820-15 Control-Inverter 10 Hp, 575V	84W44	607820-15 Control-Inverter 10 Hp, 575V	1	1
A96	HARNESS - MSAV CONTROL	607115-01	HARNESS - MSAV CONTROL (VFD)	1	1
	INVERTER CONTROL PANEL	103368-01	INVERTER CONTROL PANEL TOUCH PAD	1	1
C1	CAPACITOR	39H6101	CAPACITOR, RUN 10 @370V: USE 53H1201PR	1	1
C1	CAPACITOR	39H6301	O.D.FAN,10MFD,370VAC (INTL)	1	1
C18	CAPACITOR	39H6101	O.D.FAN,10MFD,370VAC	1	1
C18	CAPACITOR	39H6301	O.D.FAN,10MFD,370VAC (INTL)	1	1
C2	CAPACITOR	39H6101	CAPACITOR, RUN 10 @ 370V	1	1
C2	CAPACITOR	39H6301	O.D.FAN,10MFD,370VAC (INTL)	1	1
DL1	RELAY-DELAY	25G4301	RELAY, TIME DELAY	1	1
DL2	RELAY-DELAY	25G4301	RELAY, TIME DELAY	1	1
J246	HARNESS, MSAV TB13-J246, A42	607119-01	HARNESS, TB13-J246(3,5HP-Y-G-J)	1	1

KCA240S4				DASH/Revision # with Qty	
Key	Part Name	Part Number	Description	1	2
J246	HARNESS-POWER TB13 TO J246, A42	103453-01	HARNESS-PWR TB13-J246(7.5,10HP -Y)	1	1
J247	HARNESS, I.D., BLOWER MOTOR - J247/A96	601538-02	HARNESS, A96 TO J247(7.5HP-Y)(VFD)	1	1
J247	HARNESS, MSAV A96 TO J247	LB-115303B	HARNESS, A96 TO J247(7.5HP-G-J)(VFD)	1	1
J247A	HARNESS, I.D., BLOWER MOTOR - J247/A96	601538-02	HARNESS, A96 TO J247(10HP-Y)(VFD)	1	1
J247A	HARNESS, MSAV A96 TO J247	LB-115303B	HARNESS, A96 TO J247(10HP-G-J)(VFD)	1	1
J247B	HARNESS, MSAV A96 TO J247	LB-115303B	HARNESS, A96 TO J247(3,5 HP)(Y-G-J)(VFD)	1	1
J248	HARNESS - MSAV CONTROL	607118-01	HARNESS - MSAV CONTROL (VFD)	1	1
K1	CONTACTOR	P-8-7716	COMP 2,3PDT,24V (Y VOLT)	1	1
K1	CONTACTOR-3PDT 25FLA/35RES	100438-03	COMP 1,3PDT,24V (G,J,M VOLT)	1	1
K10	RELAY	67K6501	OD FAN,DPDT,24V	1	1
K13	RELAY	67K6501	HEAT,DPDT,24V STAGE 2	1	
K149	RELAY	67K6501	OD FAN,DPDT,24V	1	1
K2	CONTACTOR	P-8-7716	COMP 2,3PDT,24V (Y VOLT)	1	1
K2	CONTACTOR-3PDT 25FLA/35RES	100438-03	COMP 1,3PDT,24V (G,J,M VOLT)	1	1
K232	RELAY	67K6501	RELAY	1	
K3	CONTACTOR	P-8-7716	BLR-3PDT,24V (7.5HP Y)	1	1
K3	CONTACTOR-3PDT 25FLA/35RES	100438-03	BLR-3PDT,24V (3,5HP Y/G/J/M VOLT)	1	1
K3A	CONTACTOR-3PDT 25FLA/35RES	100438-03	BLR-3PDT,24V (7.5, 10HP G/J/M/VOLT)	1	1
K66	RELAY	67K6501	FAN,DPDT,24V STAGE 1	1	1
K67	RELAY	67K6501	FAN,DPDT,24V STAGE 2	1	1
K68	RELAY	67K6601	RELAY		1
K9/K19	RELAY	67K6501	ELEC HEAT,DPDT,24V	2	2
P246	HARNESS, I.D. BLOWER MOTOR - P246/A96	601539-02	HARNESS, A96 TO P246(10HP-Y)(VFD)	1	1
P246	HARNESS, MSAV A96 TO P246	LB-115304B	HARNESS, A96 TO P246(3,5 HP)(Y-G-J)(VFD)	1	1
P246A	HARNESS, I.D. BLOWER MOTOR - P246/A96	601539-02	HARNESS, A96 TO P246 (7.5HP-Y)(VFD)	1	1

KCA240S4				DASH/Revision # with Qty	
Key	Part Name	Part Number	Description	1	2
P246A	HARNESS, MSAV A96 TO P246	LB-115304B	HARNESS, A96 TO P246(10HP-G-J)(VFD)	1	1
P246B	HARNESS, MSAV A96 TO P246	LB-115304B	HARNESS, A96 TO P246(7.5HP-G-J)(VFD)	1	1
S42	PROTECTOR-OVLD	99K3201	BLR MTR OVLD-(SYS F)	1	1
S42	RELAY	99K2701	OVERLOAD, BLWR 12.5-20 AMPS(SEE TEXT)	1	1
S42	RELAY	99K2801	BLR MTR OVLD-(SYS D)	1	1
S42	RELAY	99K2901	BLR MTR OVLD-(SYS J)	1	1
S42	RELAY	99K3001	BLR MTR OVLD-(SYS H)	1	1
S42	RELAY	99K3101	BLR MTR OVLD-(SYS E)	1	1
S42	RELAY	99K3301	BLR MTR OVLD-(SYS G)	1	1
	BRACKET	LB-65033	BRACKET, CONTROL MOUNTING	1	1
S42	RELAY	99K3401	OVERLOAD, BLWR 9-13 AMPS(SEE TEXT)	1	1
S48	BLOCK-TERMINAL	72F8801	BLOCK, TERMINAL		1
S48	SWITCH-DISCONNECT	102536-01	150AMP	1	1
S48	SWITCH-DISCONNECT	93J3101	80AMP	1	1
	COVER	29K2401	DISC BOX	1	1
	GFI	79J9801	GFI	1	1
S52	SWITCH-PRESSURE (BLOWER PROVING)	102324-02	SWITCH-PRESSURE (BLOWER PROVING)	1	
	FITTING TOTAL PRESS SENSING BARB 90 SNAP	102392-01	FITTING TOTAL PRESS SENSING BARB 90 SNAP	1	1
T1	TRANSFORMER	51M4401	208/240V & 380/420V PRI, 24V SEC, 70VA, L/	1	1
T1	TRANSFORMER	51M4501	480V PRI, 24V SEC, 70VA, L/FUSE	1	1
T1	TRANSFORMER	51M4601	600V PRI, 24V SEC, 70VA, L/FUSE	1	1
T13	TRANSFORMER	100531-01	575V PRI, 230V SEC, 0.5VA, L/FUSE		1
T18	TRANSFORMER	51M4401	TRANSFORMER 208/230, PRI 24V, SEC 70VA		1
T18	TRANSFORMER	51M4501	480V PRI, 24V SEC, 70VA, L/FUSE		1
T18	TRANSFORMER	51M4601	600V PRI, 24V SEC, 70VA, L/FUSE		1

KCA240S4				DASH/Revision # with Qty	
Key	Part Name	Part Number	Description	1	2
T2	TRANSFORMER	51M4401	208/240V & 380/420V PRI, 24V S EC,70VA,L/	1	1
T2	TRANSFORMER	51M4501	480V PRI,24V SEC,70VA,L/FUSE	1	1
T2	TRANSFORMER	51M4601	600V PRI,24V SEC,70VA,L/FUSE	1	1
T3	TRANSFORMER	100531-01	575V PRI,230V SEC,0.5VA,L/FUSE		1
TB1	STRIP-TERMINAL	100669-01	STRIP, TERMINAL	1	1
TB13	BLOCK-TERMINAL	81M1501	BLOCK, TERMINAL - MAR 1323580	1	1
	FUSE TIME DELAY 30 A - KLDR030	102555-01	FUSE		3
	HOLDER	89F0201	30 AMP 600 VOLT		3
TB2	BLOCK-TERMINAL	41K3901	BLOCK, TERMINAL (NO ELECT HTG)		1
Category: BLOWER PARTS					
65	MOTOR-BLOWER	101502-01	7.5HP,1750RPM,200-230/60/3 (ST D)	1	
65	MOTOR-BLOWER	101502-02	7.5HP,1750RPM,460/60/3 (STD)	1	
65	MOTOR-BLOWER	101678-01	5HP,1745RPM 200-230/60/3(STD)	1	
65	MOTOR-BLOWER	101678-02	5HP,1750RPM,460/60/3 (STD)	1	
65	MOTOR-BLOWER	31L4601	7.5HP,1750RPM,575/60/3 (STD)	1	
65	MOTOR-BLOWER	39H0401	10HP,1745RPM 200-230/460/60/3(STD)	1	
65	MOTOR-BLOWER	49A4301	2HP,1745RPM,380/420/50/3		1
65	MOTOR-BLOWER	49A4401	3HP,1445RPM,380/420/50/3 (STD)		1
65	MOTOR-BLOWER	49A4501	5HP,1745RPM,380/420/50/3 (STD)	1	1
65	MOTOR-BLOWER	49A4601	10HP,1745RPM,380/420/50/3 (STD)	1	1
65	MOTOR-BLOWER	P-8-11298	7.5HP,1465RPM,380/420/50/3 (ST D)	1	1
65	MOTOR-BLOWER	P-8-5702	5HP,1745RPM,575/60/3 (STD)	1	
65	MOTOR-BLOWER	P-8-5711	10HP,1745RPM,575/60/3 (STD)	1	
65	MOTOR-BLOWER 10 HP 200-230 VOLT	102972-01	10HP,1770RPM,208/230/60/3 (STD)		1
65	MOTOR-BLOWER 10 HP 460 VOLT	102972-02	10HP,1770RPM,460//60/3 (STD)		1

KCA240S4				DASH/Revision # with Qty	
Key	Part Name	Part Number	Description	1	2
65	MOTOR-BLOWER 10 HP 575 VOLT	102972-03	10HP,1770RPM,575/60/3 (STD)		1
65	MOTOR-BLOWER 2.0HP , 200-230V, 60HZ	103202-01	2HP,1745RPM,208/230/60/3 (NON VFD)		1
65	MOTOR-BLOWER 2.0HP , 200-230V, 60HZ	103202-04	2HP,1755RPM,208/230/60/3 (HI E FF)		1
65	MOTOR-BLOWER 2.0HP , 460V, 60HZ	103202-05	2HP,1750RPM,460/60/3 (HI EFF)		1
65	MOTOR-BLOWER 2.0HP , 575V, 60HZ	103202-03	2HP,1755RPM,575/60/3 (NON VFD)		1
65	MOTOR-BLOWER 2.0HP , 575V, 60HZ	103202-06	2HP,1745RPM,575/60/3 (HI EFF)		1
65	MOTOR-BLOWER 2.0HP ,460V,60HZ	103202-02	2HP,1745RPM,460/60/3 (NON VFD)		1
65	MOTOR-BLOWER 3.0HP , 200-230V, 60HZ	103204-01	3HP,1725RPM, 208-230V, (STD)		1
65	MOTOR-BLOWER 3.0HP , 460V, 60HZ	103204-02	3HP,1725RPM,460/60/3 (STD)		1
65	MOTOR-BLOWER 3.0HP , 575V, 60HZ	103204-03	3HP,1725RPM,575/60/3 (STD)		1
65	MOTOR-BLOWER 5HP - 230V - 3 PHASE	103021-01	5HP,1745RPM,200-230/60/3 (STD)		1
65	MOTOR-BLOWER 5HP - 460V - 3 PHASE	103021-02	5HP,1750RPM,460/60/3 (STD)		1
65	MOTOR-BLOWER 5HP - 575V - 3 PHASE	103021-03	5HP,1745RPM,575/60/3 (STD)		1
65	MOTOR-BLOWER 7.5 H P 200-230 VOLT	102973-01	7.5HP,1750RPM,200-230/60/3 (ST D)		1
65	MOTOR-BLOWER 7.5 H P 460 VOLT	102973-02	7.5HP,1750RPM,460/60/3 (STD)		1
65	MOTOR-BLOWER 7.5 H P 575 VOLT	102973-03	7.5HP,1750RPM,575/60/3 (STD)		1
66	PULLEY-MOTOR	100239-03	1-1/8"BORE, 6.50 OD (PKG 4)	1	1
66	PULLEY-MOTOR	41C1301	1-1/8"BORE,6.00 OD (PKG 5)	1	1
66	PULLEY-MOTOR	78L5501	1-3/8"BORE,6.00 OD (PKG 7)	1	1
66	PULLEY-MOTOR	78M7001	1-3/8"BORE,5.95 OD (PKG 9)	1	1
66	PULLEY-MOTOR	78M7101	1-3/8"BORE,6.50 OD (6,8,10,11)	1	1
66	PULLEY-MOTOR	79J0301	7/8"BORE,3.75 OD (PKG 1,2)	1	1
66	PULLEY-MOTOR	P-8-1977	1-1/8"BORE,4.75 OD (PKG 3)	1	1
	BUSHING	100246-01	BUSHING, SPLIT TAPER (DRV KIT 10-11)	1	1
	BUSHING	49M6201	BUSHING,SPLIT TAPER (DRV KIT 4 -9)	1	1

KCA240S4				DASH/Revision # with Qty	
Key	Part Name	Part Number	Description	1	2
67	BELT	100245-08	BX65 (PKG 4)	1	1
67	BELT	100245-20	BX66 (PKG 11)	1	1
67	BELT	100245-21	5VX670 (PKG 10)	1	1
67	BELT	57A7701	BX62 (PKG 9)	1	1
67	BELT	59A5001	BX59 (PKG 1)	1	1
67	BELT	63K0501	BX55 (PKG 2)	1	1
67	BELT	93J9801	BX61 (PKG 3,5)	1	1
67	BELT	97J5501	BX63 (PKG 7)	1	1
67	BELT	97J5801	BX64 (PKG 8)	1	1
67	BELT	97J5901	BX66 (PKG 6)	1	1
	ANGLE	LB-114906	BEARING	2	2
	TENSIONER ASSY C B OX	604235-06	INCLUDES TENSIONER, BRKT PLATE SPACE	1	1
68	HOUSING-BLOWER	605004-01	ASSY- REPAIR PART BLOWER S.A.	1	1
68	HOUSING-BLOWER	605004-02	PAINTED	1	1
	PLATE-CUTOFF	LB-66131	PLATE, CUTOFF L SERIES(STUTT)	1	1
	PLATE-CUTOFF	LB-66131CP	PAINTED	1	1
69	DECK-BLOWER	601189-01	BLOWER DECK	1	1
70	KEY	LB-69329	BLOWER WHEEL	2	2
70	WHEEL-BLOWER	LB-29333BCS	1-7/16"BORE,15"X15"	2	2
	KEY	LB-69329	BLOWER WHEEL	2	2
71	KEY	LB-20769	KEY, BLOWER SHAFT 3/8 X 1-3/4" LONG	1	1
71	SHAFT-BLOWER	39L1401	SHAFT, BLOWER 1-7/16" DIA X 51 -1/4" LONG	1	1
	KEY	LB-20769	KEY, BLOWER SHAFT 3/8 X 1-3/4" LONG	1	1
73	BEARING	60M3401	1-7/16"BORE	2	2
74	PULLEY-BLOWER	100240-05	1-1/8"BORE,8.28 OD (PKG 11)	1	1

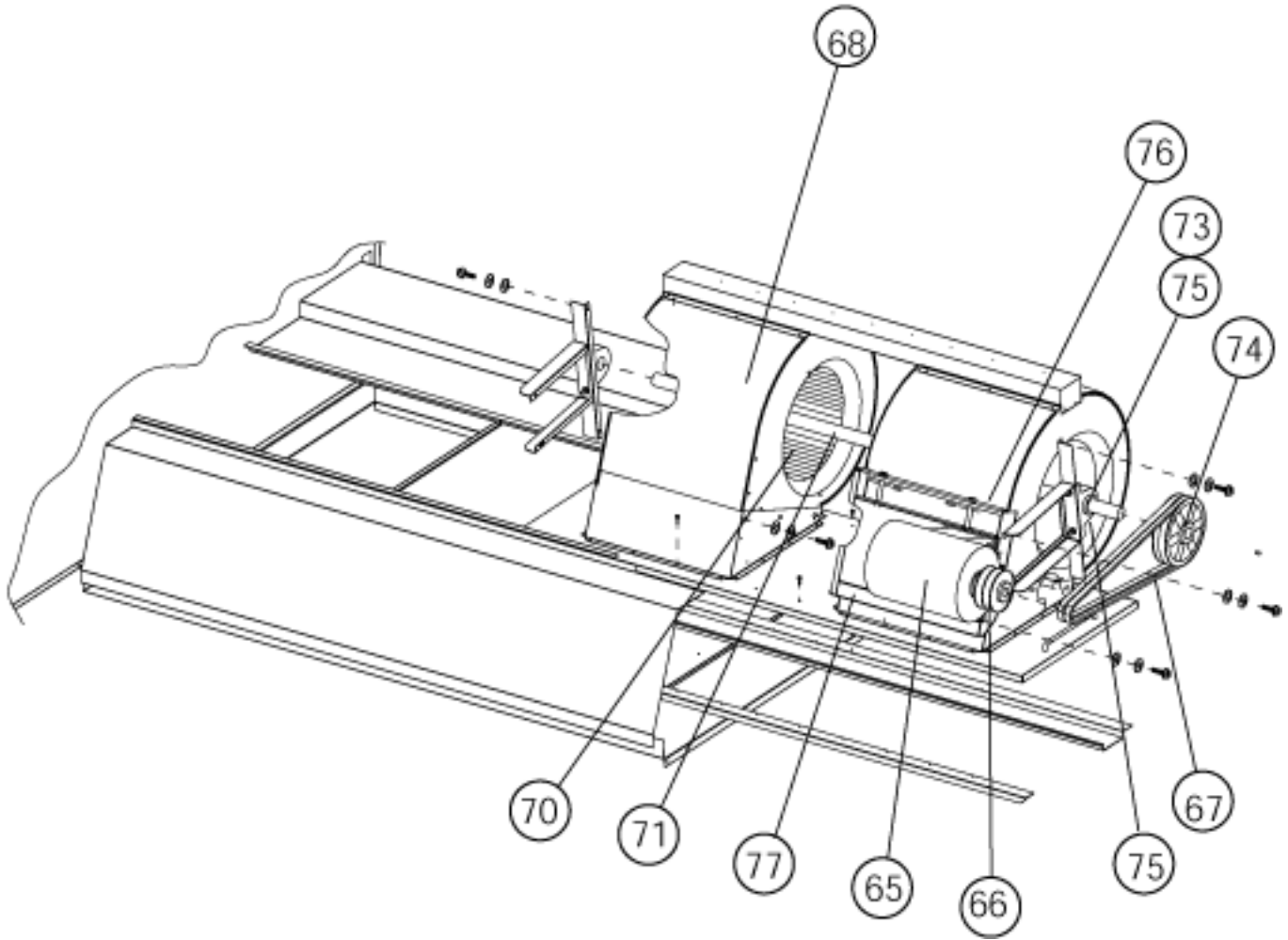
KCA240S4				DASH/Revision # with Qty	
Key	Part Name	Part Number	Description	1	2
74	PULLEY-BLOWER	100244-13	BLOWER PULLEY,6.95 OD (PKG 2)	1	1
74	PULLEY-BLOWER	100788-03	1-1/8"BORE,7.75 OD (PKG 9)	1	1
74	PULLEY-BLOWER	100788-04	1-7/16"BORE,8.75 OD (PKG 5,7,8)	1	1
74	PULLEY-BLOWER	100788-06	1-7/16"BORE,10.75 OD (PKG 4,6)	1	1
74	PULLEY-BLOWER	39L1301	1-7/16"BORE,9.75 OD (PKG 3)	1	1
74	PULLEY-BLOWER	78M8301	2-5/8"BORE, 8.88 OD (PKG 10)	1	1
74	PULLEY-BLOWER	80K1601	1-7/16"BORE,9.25 OD (PKG 1)	1	1
75	BRACKET-MOUNTING	600905-01	BEARING	2	2
76	MOUNT-BLR MTR	LB-109950A	5HP	1	1
76	MOUNT-BLR MTR	LB-109950B	7.5, 10HP	1	1
77	ASSY - FRAME (BLOWER MOTOR)	605003-01	BLR MTR MOUNT	2	2
	HARNESS, OVERLOAD K3 - S42	602238-01	BLR MTR-K3-S42	2	2
	LINE - DISCHARGE	LB-109458	LINE - DISCHARGE	2	2
	PLATE-MOTOR MOUNTING	606458-03	SC80W82 BLWR MOTOR MNTG ADDER(SEC)	2	2
	TRANSITION-(BLOWER FILLER)	604229-01	TRANSITION-(BLOWER FILLER)	2	2
P247	HARNESS, MSAV BLOWER MOTOR WIRE	606656-01	HARNESS, BLOWER P-247(3-5HP-Y-ALL-G-J)	1	1
P247	HARNESS-MOTOR B3 - P247	103343-01	HARNESS-MOTOR B3 - P247(7.5 & 10HP-Y)	1	1
Category:*OPTIONAL PARTS-FIELD INSTALLED					
KIT 1	C1SNSR44C-1 SMOKE DET. SUP OR RET C-BOX	603408-07	SUPPLY & RETURN (INCLUDES NEXT 8 PARTS)	1	1
	BRACKET, SD POWER BOARD	606620-01	BRACKET, SD POWER BOARD	1	1
	HARNESS - JUMPER SMOKE DETECTOR SUPPLY	604374-01	HARNESS - JUMPER SMOKE DETECTOR SUPPLY	1	1
	SMOKE DETECTOR D4P 120 POWER BOARD	102326-01	POWER BOARD	1	1
	SMOKE DETECTOR D4S SENSOR COMPONENT	102325-01	SMOKE DETECTOR D4S SENSOR COMPONENT	1	1
	SMOKE DETECTOR PHOTOELECTRIC	103447-01	SMOKE DETECTOR SENSOR HEAD	1	1
	STAND-OFF SMOKE DETECTOR (4 pc blk)	604227-01	SENSOR	1	1

KCA240S4				DASH/Revision # with Qty	
Key	Part Name	Part Number	Description	1	2
	TUBE-AIR DUCT SAMPLING 30 IN	102371-06	EXHAUST	1	1
	TUBE-AIR DUCT SAMPLING 36 IN	102371-03	TUBE-AIR DUCT SAMPLING 36 IN	1	1
KIT 2	ENTHALPY KIT	LB-88401A	INCL NEXT 2 PARTS	1	1
	HARNESS-WIRING	LB-68994	ENTHALPY	1	1
	SENSOR	54G4401	ENTHALPY	1	1
KIT 3	KIT-LO AMBIENT	LB-107318B	LOW-AMB KIT TC/TGA "B" BOX	1	1
	HARNESS	604727-01	HARNESS	1	1
	SWITCH-LO AMBIENT	38M7801	SWITCH, PRESSURE LOW AMBIENT R 410A	1	1
Category:ECONOMIZER SECTION					
1	C1DAMP10C-1 MANUAL OAD	604592-01	OAD-MANUAL	1	1
1	K1DAMP20C-1 MOTORIZED OAD	604592-05	OAD-LA-OADM-MOTORIZED	1	1
1	K1ECON15C ECONOMIZER	604592-03	ECONOMIZER	1	1
	FILTER	48J0101	OAH(16" X 25" X 1)-WASHABLE	1	1
2	MOTOR-ACTUATOR SIEMENS 62 IN-LB MOD	102692-01	MOTOR-ACTUATOR SIEMENS(MODULATING)	1	1
2	MOTOR-DAMPER HONEYWELL	56M8101	MOTOR DAMPER(MODULATING)	1	1
2	MOTOR-DAMPER HONEYWELL	60M1101	24V	1	1
2	MOTOR-DAMPER HONEYWELL	78G6701	24V-OAD	1	1
2	MOTOR-DAMPER SIEMENS	102691-02	MOTOR-ACTUATOR SIEMENS(OAD)	1	1
	C1HOOD10C-1 OUTDOOR AIR HOOD PKG	LB-68921F	OAH ASSY		1
3	SUPPORT, ECONOMIZER SIDE	LB-109366	SUPPORT, ECONOMIZER SIDE	1	1
A7	SENSOR	54G4401	SENSOR, ENTHALPY	1	1
	HARNESS-WIRING	LB-68994	A7	1	1
R1	SENSOR	79J0901	MIXED/SUPPLY AIR	1	1
	CONTROLLER	60M1001	ECON-ENTHALPY	1	1
	RESISTOR ASSEMBLY - SSC ECONO	102578-01	RESISTOR RESISTOR ASSEMBLY - SSC ECONO	1	1

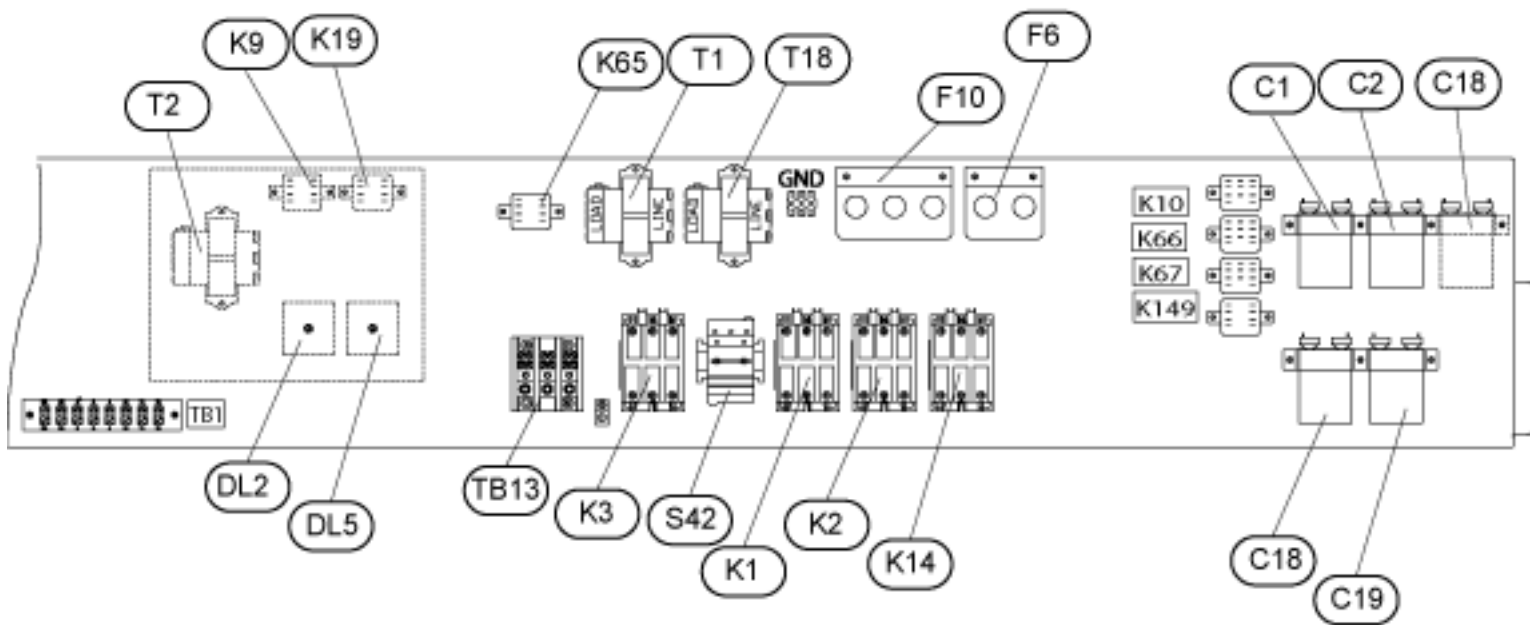
KCA240S4				DASH/Revision # with Qty	
Key	Part Name	Part Number	Description	1	2
S175	SENSOR SINGLE SENS IBLE CONTROL	102527-01	SENSOR SINGLE SENSIBLE CONTROL	1	1
Category:EXHAUST AIR DAMPER SECTION					
	PANEL-DUCT	LB-89291E	HORIZ DUCT,L/GED	1	1
4	MOTOR-FAN	79J8101	1/3HP,1075RPM,208-230/60/1	4	3
4	MOTOR-FAN	79J8201	1/3HP,1075RPM,460/60/1	4	3
4	MOTOR-FAN	79J8301	1/3HP,1075RPM,575/60/1	4	3
	MOUNT-MOTOR	63K6701	MOUNT, MOTOR		3
5	FAN	57A6601	FAN, ASSY 20"	4	3
	DOWNFLOW GED WITH HOOD	604593-01	DOWNFLOW-COMPLETE ASSY		1
7	EXHAUST-GRAVITY	LB-68922B	HORIZ-COMPLETE ASSY	1	1
	HOOD KIT, GED C BO X	603259-01	GED	1	1
	FILTER	48J0101	HOOD-OUTDOOR AIR,16"X25" X 1"- WASHABLE	1	1
C18	CAPACITOR	39H6301	O.D.FAN,10MFD,370VAC (INTL)		1
C8	CAPACITOR	39H6101	CAPACITOR, RUN 10 @370V: USE 5 3H1201PR	1	

NOTE

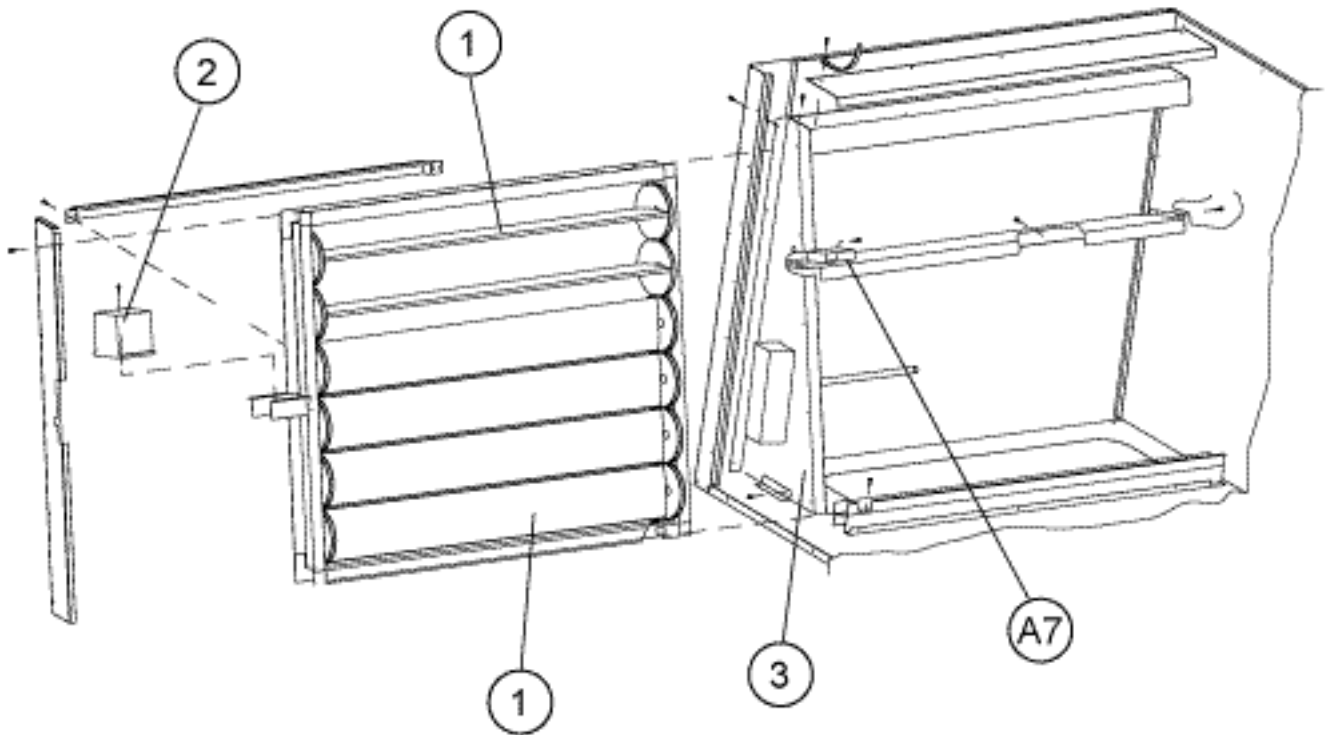
**KCA156-300SERIES
BLOWER SECTION**



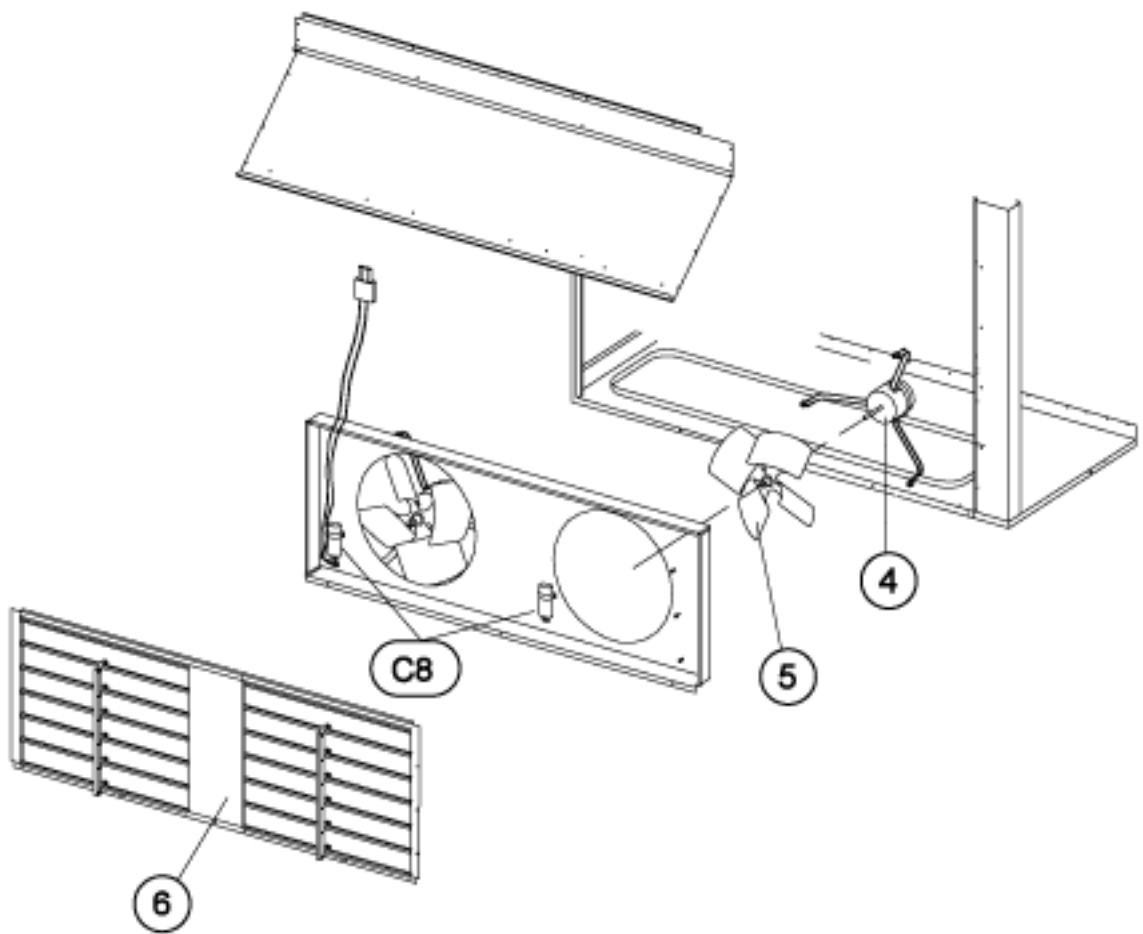
KCA 156-300 SERIES CONTROL BOX



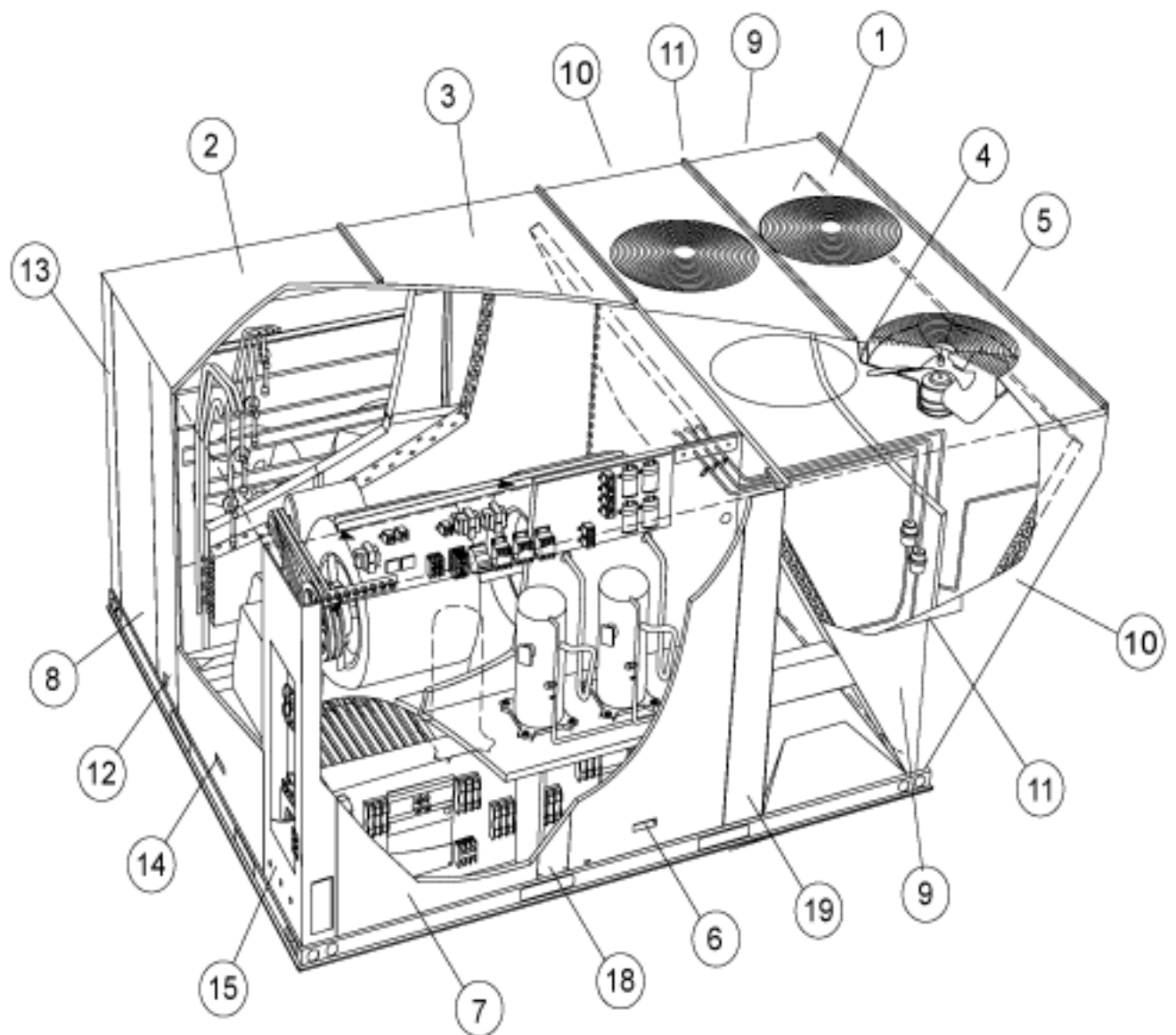
**KCA 156-300 SERIES
DAMPER ASSEMBLY**



KCA 156-300 SERIES POWER EXHAUST



KCA 156-300 SERIES



KCA300S4				DASH/Revision # with Qty	
Key	Part Name	Part Number	Description	1	2
Category:CABINET PARTS					
1	PANEL - CONDENSER TOP	601429-01	PANEL - CONDENSER TOP	2	2
10	PANEL-COND	604088-01	COND-RIGHT (BEFORE 11/03/11)	2	
10	PANEL-COND	608161-01	COND-RIGHT (AFTER 11/03/11)	2	
10	PANEL-COND	609986-01	COND-REAR ENVIRON		1
10	PANEL-COND	609987-01	COND FRONT ENVIRON		1
10	PANEL-COND RIGHT	604087-01	COND-RIGHT (BEFORE 08/02/12)	2	
10	PANEL-COND RIGHT	610046-01	COND-RIGHT (AFTER 08/02/12)	2	
11	COVER	LB-115665	COND PANEL	2	1
	COVER, PIPING	LB-65979	COVER, PIPING	1	1
	PANEL-DUCT	LB-89291E	HORIZ DUCT,L/GED	1	1
	PANEL-REAR	605066-03	REAR PANEL-TOP	1	1
	PANEL-REAR	605066-04	REAR PANEL-BOTTOM	1	1
12	MULLION -BLOWER END	605062-03	BLOWER END (HINGED)	1	1
12	MULLION -BLOWER END	605062-02	BLOWER END (NO HINGE)	1	1
13	MULLION-CORNER REAR	605064-02	REAR CORNER (HINGED)	1	1
13	MULLION-CORNER REAR	605064-03	REAR CORNER (NO HINGE)	1	1
14	PANEL-BLOWER ACCESS	605061-01	BLOWER ACCESS (HINGED)	1	1
14	PANEL-BLOWER ACCESS	605061-02	BLOWER ACCESS (NO HINGE)	1	1
15	MULLION-CORNER FRONT	605060-06	CNR-FRT W/O DISC(NO HINGE)BEFORE 5/19/11	1	
15	ASSY-REPAIR PART FRONT CORNER MULLION	605060-08 SA	CNR-FRT W/ DISC (NO HINGE)BEFORE 5/19/11	1	
15	MULLION-CORNER FRONT	605060-01	CNR-FRT W/ DISC (HINGED)	1	1
15	MULLION-CORNER FRONT	605060-05	CNR-FRT W/O DISC (HINGED)	1	1
15	MULLION-CORNER FRONT	605060-10	CNR-FRT W/O DISC (NO HINGE)AFTER 5/19/11	1	1
15	MULLION-CORNER FRONT	605060-12	CNR-FRT W/DISC (NO HINGE)AFTER 5/19/11	1	1

KCA300S4				DASH/Revision # with Qty	
Key	Part Name	Part Number	Description	1	2
	DRAIN TRAP KIT (COPPER)	LB-107882B	TRAP-COND COPPER	1	1
	DRAIN TRAP KIT (PVC)	LB-107882A	L/T SERIES DRAIN TRAP KIT (PVC)	1	1
	FILTER, AIR	100929-03	24" X 24" X 2",SLAB MERV 8	6	6
	FILTER,AIR	101356-05	24" X 24" X 2",SLAB MERV 11	6	6
18	MULLION-CONTROL	602201-01	CONTROL ACCESS MULLION(NON-HINGED)	1	1
18	MULLION-CONTROL	603902-01	CTL ACCESS (HINGED)	1	1
19	MULLION-FRONT CONDENSER(6 pc blk)	602205-01	COND COIL FRONT (NO HINGE)	1	1
19	MULLION-FRONT CONDENSER(6 pc blk)	603904-01	COND COIL FRONT (HINGED)	1	1
2	PANEL-TOP	605067-01	TOP-EVAP LEFT	1	1
3	PANEL-TOP	605067-02	TOP-EVAP RIGHT	1	1
4	RING-ORIFICE	LB-100110A	RING-ORIFICE	4	4
	GRILLE-DISCHARGE	21J3101	GRILLE, FAN GUARD	4	4
5	CAP, END	608160-01	END CAP-COND (AFTER 11/03/11)	1	
5	CAP, END	609988-01	CAP, END ENVIRON		1
5	END CAP	602226-01	END CAP-COND (BEFORE 11/03/11)	1	
6	PANEL-CONTROL ACCESS	605065-03	CTL ACCESS R (NO HINGE)	1	1
6	PANEL-CONTROL ACCESS	605065-07	CTL ACCESS R (HINGED)	1	1
	SHIELD-RAIN	LB-66239	CTL ACCESS	1	1
7	ASSY - REPAIR PART CONTROL ACCESS PANELS	605065-04	CTL ACCESS L (NO HINGE)(BEFORE 05/19/11)	1	
7	PANEL-CONTROL	605065-09	CTL ACCESS L (NO HINGE)(AFTER 05/19/11)	1	1
7	PANEL-CONTROL	605065-14	CTL ACCESS L (HINGED)	1	1
8	PANEL- FILTER ACCESS	605063-01	FILTER ACCESS (HINGED)	1	1
8	PANEL-FILTER ACCESS	605063-02	FILTER ACCESS (NO HINGE)	1	1
9	PANEL-COND	604089-01	COND-LEFT (BEFORE 11/03/11)	2	
9	PANEL-COND	608162-01	COND-LEFT (AFTER 11/03/11)	2	

KCA300S4				DASH/Revision # with Qty	
Key	Part Name	Part Number	Description	1	2
Category:HEATING PARTS					
	HARNESS, GAS SENSOR	604505-01	HARNESS, GAS SENSOR		1
Category:COOLING PARTS					
40	COMPRESSOR	79M9001	7TON,200-230/60/3,COPE	3	3
40	COMPRESSOR	79M9101	7TON,460/60/3-380-420/50/3,COPE	3	3
40	COMPRESSOR	79M9201	7TON,575/60/3,COPE	3	3
	HARNESS-WIRING	LB-99231A	COMP- MOLDED PLUG	3	3
	HEATER-CRANKCASE	100499-07	(575V)MOLDED PLUG	3	3
	HEATER-CRANKCASE	100499-08	(480V)MOLDED PLUG	3	3
	HEATER-CRANKCASE	100499-10	(240V)MOLDED PLUG	3	3
	MOUNT PKG-COMP	74J3001PR	74J3001PR	3	3
41	COIL-OUTDOOR	103768-01	COIL COND (ENVIRON) (O/D)		2
41	OUTDOOR COIL ASSEMBLY C BOX	605068-03	W/MANIFOLD (L)	2	
41	OUTDOOR COIL ASSEMBLY C BOX	605068-04	W/MANIFOLD (R)	2	
42	605077-03 COIL-INDOOR	62W13	605077-03 COIL-INDOOR	2	
42	INDOOR COIL	605077-11	COIL-INDOOR (ENVIRON)		1
43	PAN - PLASTIC DRAIN	101996-03	PAN - PLASTIC DRAIN	2	2
	610469-13 DISTRIBUTOR ASSY	10C82	610469-13 DISTRIBUTOR ASSY		1
	ASSY - DISTRIBUTOR	605080-01	ASSY - DISTRIBUTOR	2	
	CAP-SEAL	P-8-3187	CAP, BRASS	12	12
	DRIER	83L6101	DRIER 3/8"ODS X 3/8"ODS	3	3
	FITTING PRESS TAP	86G6401	FITTING, PRESSURE TAP	12	12
	MOUNT-COND	601403-01	MOUNT-COND FRT RIGHT (BEFORE 11/03/11)	1	
	MOUNT-COND	601404-01	MOUNT-COND REAR RIGHT (BEFORE 11/03/11)	1	
	MOUNT-COND	608164-01	MOUNT-COND REAR RIGHT (AFTER 11/03/11)	1	

KCA300S4				DASH/Revision # with Qty	
Key	Part Name	Part Number	Description	1	2
	MOUNT-COND	608165-01	MOUNT-COND FRT RIGHT (AFTER 11/03/11)	1	
	MOUNT-COND REAR LEFT (15 pc blk)	601737-01	O.D.COIL(LEFT REAR)	2	2
	MOUNT-CONDENSER FRONT LEFT(5pcblk)	601738-01	O.D.COIL(LEFT FRONT)	2	2
	RFC KIT ASSY (.108)	100484-50	RFC KIT ASSY (.108)		3
	SWITCH, CIRCON FLOAT	60M1301	SWITCH, CIRCON FLOAT	1	1
	SWITCH-HI PRESS	103885-01	CUT OUT 640PSIG (MANUAL RESET)		3
	SWITCH-HIGH PRESSURE MANUAL RESET	102448-01	CUTOUT 640PSIG	3	
	SWITCH-TEMP FREEZE STAT	102450-01	SWITCH-TEMP FREEZESTAT	3	3
	VALVE CORE	P-8-1897	VALVE, CORE 8075910047	12	12
	VALVE-EXPANSION	100679-35	100679-35	3	
44	MOTOR-FAN	79J8101	1/3HP,1075RPM,208-230/60/1	4	4
44	MOTOR-FAN	79J8201	1/3HP,1075RPM,460/60/1,380-420/50/1	4	4
44	MOTOR-FAN	79J8301	1/3HP,1075RPM,575/60/1	4	4
	HARNESS - J87 - OD FAN B21,B22	609675-01	HARNESS - J87 - OD FAN B21,B22		4
	HARNESS - P86 - OD FAN B4,B5	609673-01	HARNESS - P86 - OD FAN B4,B5		4
	HARNESS, OD FAN	602191-01	HARNESS, OD FAN B4, B5	4	
	HARNESS, OD FAN B4, B5	602190-01	HARNESS, OD FAN B4, B5	4	
	SHIELD-RAIN	P-8-6142	SHIELD, MOTOR	4	4
45	FAN	100654-01	1/2"BORE,24"DIA,3 BLADE	4	4
46	BRACKET	78L4101	MOUNT, MOTOR	4	4
Category:ELECTRIC HEATING PARTS					
1A			FOR ELEC HEAT REPAIR PARTS	1	
2A			REFER TO THE C1EH SERIES	1	
Category:CONTROL PANEL PARTS					
A183	KIT LVC2 REPAIR PART	103557-01	ASSY-P.C.BOARD LVC2 LANDMARK VFD CNT	1	1

KCA300S4				DASH/Revision # with Qty	
Key	Part Name	Part Number	Description	1	2
A42	ASSY-P.C.BOARD PHASE LOSS AND REVERSAL	103316-01	ASSY-P.C.BOARD PHASE LOSS AND REVERSAL P	1	1
A96	607820-01 Control-Inverter 2 Hp, 230V	84W30	"607820-01 Control-Inverter 2 Hp, 230V"	1	1
A96	607820-02 Control-Inverter 2 Hp, 460V	84W31	"607820-02 Control-Inverter 2 Hp, 460V"	1	1
A96	607820-03 Control-Inverter 2 Hp, 575V	84W32	607820-03 Control-Inverter 2 Hp, 575V	1	1
A96	607820-04 Control-Inverter 3 Hp, 230V	84W33	607820-04 Control-Inverter 3 Hp, 230V	1	1
A96	607820-05 Control-Inverter 3 Hp, 460V	84W34	607820-05 Control-Inverter 3 Hp, 460V	1	1
A96	607820-06 Control-Inverter 3 Hp, 575V	84W35	607820-06 Control-Inverter 3 Hp, 575V	1	1
A96	607820-07 Control-Inverter 5 Hp, 230V	84W36	607820-07 Control-Inverter 5 Hp, 230V	1	1
A96	607820-08 Control-Inverter 5 Hp, 460V	84W37	607820-08 Control-Inverter 5 Hp, 460V	1	1
A96	607820-09 Control-Inverter 5 Hp, 575V	84W38	607820-09 Control-Inverter 5 Hp, 575V	1	1
A96	607820-10 Control-Inverter 7.5 Hp, 230	84W39	607820-10 Control-Inverter 7.5 Hp, 230	1	1
A96	607820-11 Control-Inverter 7.5 Hp, 460	84W40	607820-11 Control-Inverter 7.5 Hp, 460	1	1
A96	607820-12 Control-Inverter 7.5 Hp, 575	84W41	607820-12 Control-Inverter 7.5 Hp, 575	1	1
A96	607820-13 Control-Inverter 10 Hp, 230V	84W42	607820-13 Control-Inverter 10 Hp, 230V	1	1
A96	607820-14 Control-Inverter 10 Hp, 460V	84W43	607820-14 Control-Inverter 10 Hp, 460V	1	1
A96	607820-15 Control-Inverter 10 Hp, 575V	84W44	607820-15 Control-Inverter 10 Hp, 575V	1	1
A96	HARNESS - MSAV CONTROL	607115-01	HARNESS - MSAV CONTROL (VFD)	1	1
	INVERTER CONTROL PANEL	103368-01	INVERTER CONTROL PANEL TOUCH PAD	1	1
C1	CAPACITOR	39H6101	O.D.FAN,10MFD,370VAC	1	1
C1	CAPACITOR	39H6301	O.D.FAN,10MFD,370VAC (INTL)	1	1
C18	CAPACITOR	39H6101	O.D.FAN,10MFD,370VAC	1	1
C18	CAPACITOR	39H6301	O.D.FAN,10MFD,370VAC (INTL)	1	1
C2	CAPACITOR	39H6101	O.D.FAN,10MFD,370VAC	1	1
C2	CAPACITOR	39H6301	O.D.FAN,10MFD,370VAC (INTL)	1	1
DL1	RELAY-DELAY	25G4301	RELAY, TIME DELAY	1	1

KCA300S4				DASH/Revision # with Qty	
Key	Part Name	Part Number	Description	1	2
DL2	RELAY-DELAY	25G4301	RELAY, TIME DELAY	1	1
J246	HARNESS, MSAV TB13 -J246, A42	607119-01	HARNESS, TB13-J246(3,5HP-Y-G-J)	1	1
J246	HARNESS-POWER TB13 TO J246, A42	103453-01	HARNESS-POWER TB13 TO J246, A4 2	1	1
J247	HARNESS, I.D., BLO WER MOTOR - J247/A96	601538-02	HARNESS, A96 TO J247(7.5HP-Y)(VFD)	1	1
J247	HARNESS, MSAV A96 TO J247	LB-115303B	HARNESS, A96 TO J247(7.5HP-G-J) (VFD)	1	1
J247A	HARNESS, I.D., BLO WER MOTOR - J247/A96	601538-02	HARNESS, A96 TO J247(10HP-Y)(V FD)	1	1
J247A	HARNESS, MSAV A96 TO J247	LB-115303B	HARNESS, A96 TO J247(10HP-G-J) (VFD)	1	1
J247B	HARNESS, MSAV A96 TO J247	LB-115303B	HARNESS, A96 TO J247(3,5 HP)(Y -G-J)(VFD)	1	1
J248	HARNESS - MSAV CON TROL	607118-01	HARNESS - MSAV CONTROL (VFD)	1	1
K1	CONTACTOR	P-8-7716	COMP 2,3PDT,24V (Y VOLT)	1	1
K1	CONTACTOR-3PDT 25F LA/35RES	100438-03	COMP 1,3PDT,24V (G,J,M VOLT)	1	1
K10	RELAY	67K6501	OD FAN,DPDT,24V	1	1
K13	RELAY	67K6501	HEAT,DPDT,24V STAGE 2	1	
K149	RELAY	67K6501	OD FAN,DPDT,24V	1	1
K2	CONTACTOR	P-8-7716	COMP 2,3PDT,24V (Y VOLT)	1	1
K2	CONTACTOR-3PDT 25F LA/35RES	100438-03	COMP 1,3PDT,24V (G,J,M VOLT)	1	1
K232	RELAY	67K6501	RELAY	1	
K3	CONTACTOR	P-8-7716	BLR-3PDT,24V (7.5HP Y)	1	1
K3	CONTACTOR-3PDT 25F LA/35RES	100438-03	BLR-3PDT,24V (3,5HP Y/G/J/M VO LT)	1	1
K3A	CONTACTOR-3PDT 25F LA/35RES	100438-03	BLR-3PDT,24V (7.5, 10HP G/J/M/ VOLT)	1	1
K66	RELAY	67K6501	RELAY	1	1
K67	RELAY	67K6501	FAN,DPDT,24V STAGE 2	1	1
K68	RELAY	67K6601	RELAY		1
K9/K19	RELAY	67K6501	ELEC HEAT,DPDT,24V	2	2
P246	HARNESS, I.D. BLOW ER MOTOR - P246/A96	601539-02	HARNESS, A96 TO P246(7.5HP-Y)(VFD)	1	1

KCA300S4				DASH/Revision # with Qty	
Key	Part Name	Part Number	Description	1	2
P246	HARNESS, MSAV A96 TO P246	LB-115304B	HARNESS, A96 TO P246(3,5 HP)(Y-G-J)(VFD)	1	1
P246A	HARNESS, I.D. BLOWER MOTOR - P246/A96	601539-02	HARNESS, A96 TO P246(10HP-Y)(VFD)	1	1
P246A	HARNESS, MSAV A96 TO P246	LB-115304B	HARNESS, A96 TO P246(10HP-G-J)(VFD)	1	1
P246B	HARNESS, MSAV A96 TO P246	LB-115304B	HARNESS, A96 TO P246(7.5HP-G-J)(VFD)	1	1
S42	PROTECTOR-OVLD	99K3201	BLR MTR OVLD-(SYS F)	1	1
S42	RELAY	99K2701	OVERLOAD, BLWR 12.5-20 AMPS(SEE TEXT)	1	1
S42	RELAY	99K2801	BLR MTR OVLD-(SYS D)	1	1
S42	RELAY	99K2901	BLR MTR OVLD-(SYS J)	1	1
S42	RELAY	99K3001	BLR MTR OVLD-(SYS H)	1	1
S42	RELAY	99K3101	BLR MTR OVLD-(SYS E)	1	1
S42	RELAY	99K3301	BLR MTR OVLD-(SYS G)	1	1
	BRACKET	LB-65033	BRACKET, CONTROL MOUNTING	1	1
S42	RELAY	99K3401	OVERLOAD, BLWR 9-13 AMPS(SEE TEXT)	1	1
S48	BLOCK-TERMINAL	72F8801	BLOCK, TERMINAL		1
S48	SWITCH-DISCONNECT	102536-01	150AMP	1	1
S48	SWITCH-DISCONNECT	93J3101	80AMP	1	1
	COVER	29K2401	DISC BOX	1	1
	GFI	79J9801	GFI	1	1
S52	SWITCH-PRESSURE (BLOWER PROVING)	102324-02	SWITCH-PRESSURE (BLOWER PROVING)	1	
	FITTING TOTAL PRESS SENSING BARB 90 SNAP	102392-01	FITTING TOTAL PRESS SENSING BARB 90 SNAP	1	1
T1	TRANSFORMER	51M4401	208/240V & 380/420V PRI, 24V SEC,70VA,L/	1	1
T1	TRANSFORMER	51M4501	480V PRI,24V SEC,70VA,L/FUSE	1	1
T1	TRANSFORMER	51M4601	600V PRI,24V SEC,70VA,L/FUSE	1	1
T13	TRANSFORMER	100531-01	575V PRI,230V SEC,0.5VA,L/FUSE		1
T18	TRANSFORMER	51M4401	TRANSFORMER 208/230,PRI 24V, SEC 70VA		1

KCA300S4				DASH/Revision # with Qty	
Key	Part Name	Part Number	Description	1	2
T18	TRANSFORMER	51M4501	480V PRI,24V SEC,70VA,L/FUSE		1
T18	TRANSFORMER	51M4601	600V PRI,24V SEC,70VA,L/FUSE		1
T2	TRANSFORMER	51M4401	208/240V & 380/420V PRI, 24V SEC,70VA,L/	1	1
T2	TRANSFORMER	51M4501	480V PRI,24V SEC,70VA,L/FUSE	1	1
T2	TRANSFORMER	51M4601	600V PRI,24V SEC,70VA,L/FUSE	1	1
T3	TRANSFORMER	100531-01	575V PRI,230V SEC,0.5VA,L/FUSE		1
TB1	STRIP-TERMINAL	100669-01	STRIP, TERMINAL	1	1
TB13	BLOCK-TERMINAL	81M1501	BLOCK, TERMINAL - MAR 1323580	1	1
	FUSE TIME DELAY 30 A - KLDR030	102555-01	FUSE		3
	HOLDER	89F0201	30 AMP 600 VOLT		3
TB2	BLOCK-TERMINAL	41K3901	BLOCK, TERMINAL (NO ELECT HTG)		1
Category: BLOWER PARTS					
65	MOTOR-BLOWER	101502-01	7.5HP,1750RPM,208/60/3	1	
65	MOTOR-BLOWER	101502-02	7.5HP,1750RPM,460/60/3	1	
65	MOTOR-BLOWER	101678-01	5HP,1745RPM 200-230/60/3(STD)	1	
65	MOTOR-BLOWER	101678-02	5HP,1750RPM,460/60/3 (STD)	1	
65	MOTOR-BLOWER	31L4601	7.5HP,1750RPM,575/60/3 (STD)	1	
65	MOTOR-BLOWER	39H0401	10HP,1745RPM 200-230/460/60/3(STD)	1	
65	MOTOR-BLOWER	49A4301	2HP,1745RPM,380/420/50/3		1
65	MOTOR-BLOWER	49A4401	3HP,1445RPM,380/420/50/3 (STD)		1
65	MOTOR-BLOWER	49A4501	5HP,1745RPM,380/420/50/3 (STD)	1	1
65	MOTOR-BLOWER	49A4601	10HP,1745RPM,380/420/50/3 (STD)	1	1
65	MOTOR-BLOWER	P-8-11298	7.5HP,1465RPM,380/420/50/3 (STD)	1	1
65	MOTOR-BLOWER	P-8-5702	5HP,1745RPM,575/60/3 (STD)	1	
65	MOTOR-BLOWER	P-8-5711	10HP,1745RPM,575/60/3 (STD)	1	

KCA300S4				DASH/Revision # with Qty	
Key	Part Name	Part Number	Description	1	2
65	MOTOR-BLOWER 10 HP 200-230 VOLT	102972-01	10HP,1770RPM,208/230/60/3 (STD)		1
65	MOTOR-BLOWER 10 HP 460 VOLT	102972-02	10HP,1770RPM,460//60/3 (STD)		1
65	MOTOR-BLOWER 10 HP 575 VOLT	102972-03	10HP,1770RPM,575/60/3 (STD)		1
65	MOTOR-BLOWER 2.0HP , 200-230V, 60HZ	103202-01	2HP,1745RPM,208/230/60/3 (NON VFD)		1
65	MOTOR-BLOWER 2.0HP , 200-230V, 60HZ	103202-04	2HP,1755RPM,208/230/60/3 (HI E FF)		1
65	MOTOR-BLOWER 2.0HP , 460V, 60HZ	103202-05	2HP,1750RPM,460/60/3 (HI EFF)		1
65	MOTOR-BLOWER 2.0HP , 575V, 60HZ	103202-03	2HP,1755RPM,575/60/3 (NON VFD)		1
65	MOTOR-BLOWER 2.0HP , 575V, 60HZ	103202-06	2HP,1745RPM,575/60/3 (HI EFF)		1
65	MOTOR-BLOWER 2.0HP ,460V,60HZ	103202-02	2HP,1745RPM,460/60/3 (NON VFD)		1
65	MOTOR-BLOWER 3.0HP , 200-230V, 60HZ	103204-01	3HP,1725RPM, 208-230V, (STD)		1
65	MOTOR-BLOWER 3.0HP , 460V, 60HZ	103204-02	3HP,1725RPM,460/60/3 (STD)		1
65	MOTOR-BLOWER 3.0HP , 575V, 60HZ	103204-03	3HP,1725RPM,575/60/3 (STD)		1
65	MOTOR-BLOWER 5HP - 230V - 3 PHASE	103021-01	5HP,1745RPM,200-230/60/3 (STD)		1
65	MOTOR-BLOWER 5HP - 460V - 3 PHASE	103021-02	5HP,1750RPM,460/60/3 (STD)		1
65	MOTOR-BLOWER 5HP - 575V - 3 PHASE	103021-03	5HP,1745RPM,575/60/3 (STD)		1
65	MOTOR-BLOWER 7.5 H P 200-230 VOLT	102973-01	7.5HP,1750RPM,200-230/60/3 (ST D)		1
65	MOTOR-BLOWER 7.5 H P 460 VOLT	102973-02	7.5HP,1750RPM,460/60/3 (STD)		1
65	MOTOR-BLOWER 7.5 H P 575 VOLT	102973-03	7.5HP,1750RPM,575/60/3 (STD)		1
66	PULLEY-MOTOR	100239-03	1-1/8"BORE,6.50 OD (PKG 4)	1	1
66	PULLEY-MOTOR	41C1301	1-1/8"BORE,6.00 OD (PKG 5)	1	1
66	PULLEY-MOTOR	78L5501	1-3/8"BORE,60.00 OD (PKG 7)	1	1
66	PULLEY-MOTOR	78M7001	1-3/8"BORE,5.95 OD (PKG 9)	1	1
66	PULLEY-MOTOR	78M7101	1-3/8"BORE,6.50 OD (PKG 6,8,10 ,11)	1	1
66	PULLEY-MOTOR	79J0301	7/8"BORE,3.75 OD (PKG 1,2)	1	1
66	PULLEY-MOTOR	P-8-1977	1-1/8"BORE,4.75 OD (PKG 3)	1	1

KCA300S4				DASH/Revision # with Qty	
Key	Part Name	Part Number	Description	1	2
	BUSHING	100246-01	BUSHING, SPLIT TAPER (DRV KIT 10-11)	1	1
	BUSHING	49M6201	BUSHING, SPLIT TAPER (DRV KIT 4-9)	1	1
67	BELT	100245-08	BX65 (PKG 4)	1	1
67	BELT	100245-20	BX66 (PKG 11)	1	1
67	BELT	100245-21	5VX670 (PKG 10)	1	1
67	BELT	57A7701	BX62 (PKG 9)	1	1
67	BELT	59A5001	BX59 (PKG 1)	1	1
67	BELT	63K0501	BX55 (PKG 2)	1	1
67	BELT	93J9801	BX61 (PKG 3,5)	1	1
67	BELT	97J5501	BX63 (PKG 7)	1	1
67	BELT	97J5801	BX64 (PKG 8)	1	1
67	BELT	97J5901	BX66 (PKG 6)	1	1
	ANGLE	LB-114906	BEARING	2	2
	TENSIONER ASSY C B OX	604235-06	INCLUDES TENSIONER, BRKT PLATE SPACE	1	1
68	HOUSING-BLOWER	605004-01	ASSY- REPAIR PART BLOWER S.A.	1	1
68	HOUSING-BLOWER	605004-02	PAINTED	1	1
	PLATE-CUTOFF	LB-66131	PLATE, CUTOFF L SERIES(STUTT)	1	1
	PLATE-CUTOFF	LB-66131CP	PAINTED	1	1
69	DECK-BLOWER	601189-01	BLOWER DECK	1	1
70	KEY	LB-69329	BLOWER WHEEL	2	2
70	WHEEL-BLOWER	LB-29333BCS	1-7/16"BORE,15"X15"	2	2
	KEY	LB-69329	BLOWER WHEEL	2	2
71	KEY	LB-20769	KEY, BLOWER SHAFT 3/8 X 1-3/4" LONG	1	1
71	SHAFT-BLOWER	39L1401	SHAFT, BLOWER 1-7/16" DIA X 51 -1/4" LONG	1	1
	KEY	LB-20769	KEY, BLOWER SHAFT 3/8 X 1-3/4" LONG	1	1

KCA300S4				DASH/Revision # with Qty	
Key	Part Name	Part Number	Description	1	2
73	BEARING	60M3401	1-7/16"BORE	2	2
74	PULLEY-BLOWER	100240-05	1-7/16"BORE,8.28 OD (PKG 11)	1	1
74	PULLEY-BLOWER	100244-13	1-7/16"BORE,6.95 OD (PKG 2)	1	1
74	PULLEY-BLOWER	100788-03	1-7/16"BORE,7.75 OD (PKG 9)	1	1
74	PULLEY-BLOWER	100788-04	1-7/16"BORE,8.75 OD (PKG 5,7,8)	1	1
74	PULLEY-BLOWER	100788-06	1-7/16"BORE,10.75 OD (PKG 4,6)	1	1
74	PULLEY-BLOWER	39L1301	1-7/16"BORE,9.75 OD (PKG 3)	1	1
74	PULLEY-BLOWER	78M8301	"5V" PITCH 8.8 OD (PKG 10)	1	1
74	PULLEY-BLOWER	80K1601	1-7/16"BORE,9.25 OD (PKG 1)	1	1
75	BRACKET-MOUNTING	600905-01	BEARING	2	2
76	MOUNT-BLR MTR	LB-109950A	5HP	1	1
76	MOUNT-BLR MTR	LB-109950B	7.5, 10HP	1	1
77	ASSY - FRAME (BLOWER MOTOR)	605003-01	BLR MTR MOUNT	2	2
	HARNESS, OVERLOAD K3 - S42	602238-01	BLR MTR-K3-S42	2	2
	LINE - DISCHARGE	LB-109458	LINE - DISCHARGE	2	2
	PLATE-MOTOR MOUNTING	606458-03	SC80W82 BLWR MOTOR MNTG ADDER(SEC)	2	2
	TRANSITION-(BLOWER FILLER)	604229-01	TRANSITION-(BLOWER FILLER)	2	2
P247	HARNESS, MSAV BLOWER MOTOR WIRE	606656-01	HARNESS, BLOWER P-247(3-5HP-Y-ALL-G-J)	1	1
P247	HARNESS-MOTOR B3 - P247	103343-01	HARNESS-MOTOR -P247 (7.5-10HP Y)	1	1
Category:*OPTIONAL PARTS-FIELD INSTALLED					
KIT 1	C1SNSR44C-1 SMOKE DET. SUP OR RET C-BOX	603408-07	SUPPLY OR RETURN,INCL NEXT 8 PARTS	1	1
	BRACKET, SD POWER BOARD	606620-01	BRACKET, SD POWER BOARD	1	1
	HARNESS - JUMPER SMOKE DETECTOR SUPPLY	604374-01	HARNESS - JUMPER SMOKE DETECTOR SUPPLY	1	1
	SMOKE DETECTOR D4P 120 POWER BOARD	102326-01	POWER BOARD	1	1
	SMOKE DETECTOR D4S SENSOR COMPONENT	102325-01	SMOKE DETECTOR D4S SENSOR COMPONENT	1	1

KCA300S4				DASH/Revision # with Qty	
Key	Part Name	Part Number	Description	1	2
	SMOKE DETECTOR PHOTOELECTRIC	103447-01	SMOKE DETECTOR SENSOR HEAD	1	1
	STAND-OFF SMOKE DETECTOR (4 pc blk)	604227-01	SENSOR	1	1
	TUBE-AIR DUCT SAMPLING 30 IN	102371-06	EXHAUST	1	1
	TUBE-AIR DUCT SAMPLING 36 IN	102371-03	TUBE-AIR DUCT SAMPLING 36 IN	1	1
KIT 2	ENTHALPY KIT	LB-88401A	INCL NEXT 2 PARTS	1	1
	HARNESS-WIRING	LB-68994	ENTHALPY	1	1
	SENSOR	54G4401	ENTHALPY	1	1
KIT 3	KIT-LO AMBIENT	LB-107318B	LOW-AMB KIT TC/TGA "B" BOX	1	1
	HARNESS	604727-01	HARNESS	1	1
	SWITCH-LO AMBIENT	38M7801	SWITCH, PRESSURE LOW AMBIENT R410A	1	1
Category:ECONOMIZER SECTION					
	C1HOOD10C-1 OUTDOOR AIR HOOD PKG	LB-68921F	OAH ASSY	1	
1	C1DAMP10C-1 MANUAL OAD	604592-01	OAD-MANUAL	1	1
1	K1DAMP20C-1 MOTORIZED OAD	604592-05	OAD-LA-OADM-MOTORIZED	1	1
1	K1ECON15C ECONOMIZER	604592-03	ECONOMIZER	1	1
	FILTER	48J0101	OAH(16" X 25" X 1)-WASHABLE	1	1
2	MOTOR-ACTUATOR SIEMENS 62 IN-LB MOD	102692-01	MOTOR-ACTUATOR SIEMENS(MODULATING)	1	1
2	MOTOR-DAMPER HONEYWELL	56M8101	MOTOR DAMPER(MODULATING0	1	1
2	MOTOR-DAMPER HONEYWELL	60M1101	24V	1	1
2	MOTOR-DAMPER HONEYWELL	78G6701	24V-OAD	1	1
2	MOTOR-DAMPER SIEMENS	102691-02	MOTOR-ACTUATOR SIEMENS(OAD)	1	1
3	SUPPORT, ECONOMIZER SIDE	LB-109366	SUPPORT, ECONOMIZER SIDE	1	1
A7	SENSOR	54G4401	SENSOR, ENTHALPY	1	1
	HARNESS-WIRING	LB-68994	A7	1	1
R1	SENSOR	79J0901	MIXED/SUPPLY AIR	1	1

KCA300S4				DASH/Revision # with Qty	
Key	Part Name	Part Number	Description	1	2
	CONTROLLER	60M1001	ECON-ENTHALPY	1	1
	RESISTOR ASSEMBLY - SSC ECONO	102578-01	RESISTOR RESISTOR ASSEMBLY - S SC ECONO	1	1
S175	SENSOR SINGLE SENS IBLE CONTROL	102527-01	SENSOR SINGLE SENSIBLE CONTROL	1	1
Category:EXHAUST AIR DAMPER SECTION					
	PANEL-DUCT	LB-89291E	HORIZ DUCT,L/GED		1
4	MOTOR-FAN	79J8101	1/3HP,1075RPM,208-230/60/1	4	3
4	MOTOR-FAN	79J8201	1/3HP,1075RPM,460/60/1	4	3
4	MOTOR-FAN	79J8301	1/3HP,1075RPM,575/60/1	4	3
	MOUNT-MOTOR	63K6701	MOUNT, MOTOR	4	
5	FAN	57A6601	FAN, ASSY 20"	4	3
6	DOWNFLOW GED WITH HOOD	604593-01	DOWNFLOW-COMPLETE ASSY		1
7	EXHAUST-GRAVITY	LB-68922B	HORIZ-COMPLETE ASSY	1	1
	HOOD KIT, GED C BO X	603259-01	GED	1	1
	FILTER	48J0101	HOOD-OUTDOOR AIR,16"X25" X 1"- WASHABLE	1	1
C8	CAPACITOR	39H6101	CAPACITOR, RUN 10 @370V: USE 5 3H1201PR	1	1

NOTE