

Type B Gas Vent



BV Round 3" - 30"

BVO Oval 4" - 6"

DuraConnect I

DuraConnect II

UL 441 and CAN/ULC-S605

DuraVent[®]

Leaders in-Venting Innovation™

Table of Contents

BV Round Vent Pipe 3" through 8"



- Offset and Termination Table.....3**
- Typical Installations.....6-7**
- Round Kits.....8**
- Round Vent Pipes and Adjustable Lengths.....9-12**
- Round Elbows, Tees, and Wyes.....13-16**
- Round Adapters, Connectors, and Increases.....17-20**
- Round Tops, Supports, and Firestops.....20-22**
- Pipe Collars, Wall Thimbles, and Attic Shields.....23**
- Roof Flashings and Storm Collars.....24-27**

DuraVent BV round vent pipe is a Listed Type B gas vent pipe. Available Lengths from 6" to 60". Its adjustable fittings and standard short lengths eliminate all cutting, fitting and special engineering. An improved joint design provides for a rapid and secure connection in seconds. The use of our "DuraLock" feature gives installers the option of engaging this DuraTab instead of using sheet metal screws.

BVO Oval Vent Pipe 4", 5" and 6"



- Typical Installations.....6-7**
- Oval Kits.....28**
- Oval Vent Pipes and Adjustable Lengths.....29**
- Oval Adapters, Increases, and Elbows.....30**
- Oval Elbows, Base Plates, and Firestops.....31**
- Oval Attic Shields, Plate Spacers, and Tees.....32**
- Oval Flashings and Storm Collars.....33**

DuraVent BVO oval vent pipe, sizes 4", 5" and 6" provides the venting capacity of 4", 5" and 6" round vent pipe. 4" is Listed for both Type B, and Type BW, use/installation in a 2 x 4 wall. 5" is Listed for Type B use/installation in a 2 x 4 and 2 x 6 wall. 6" is Listed for Type B use/installation in a 2 x 6 wall.

Expandable Flexible Connectors DuraConnect I and DuraConnect II



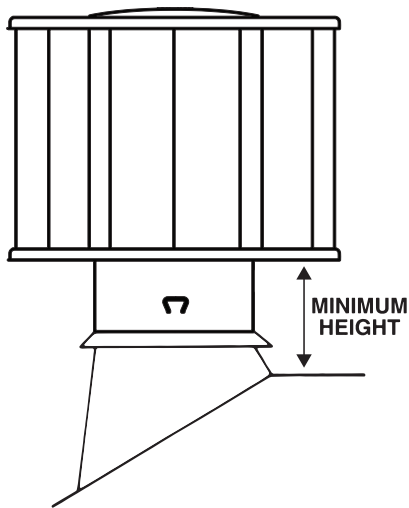
- Typical Installations.....6-7**
- Vent Pipe and Adapters..... 34-35**

DuraVent DuraConnect I Expandable Flexible Gas Vent Connector is available in 3" and 4" diameters in 2'-3.5' and 2.5'-5' lengths.

DuraVent DuraConnect II Double Wall Flexible Gas Vent Connector is available in 3", 4", & 5" diameters in 2', 3', 4', & 5' lengths designed for easy connection to standard Type B Gas Vent. DuraConnect II is now Listed for use as a "segment" of an unenclosed Type B gas vent system and has full safety certification for use in conditioned and/or unconditioned attics and crawl spaces (USA only). DuraConnect II can simplify alignment of most installations by enabling a quick and easy offset between sections of rigid gas vent.

- Submittal Specs.....36**

GAS VENT TERMINATION



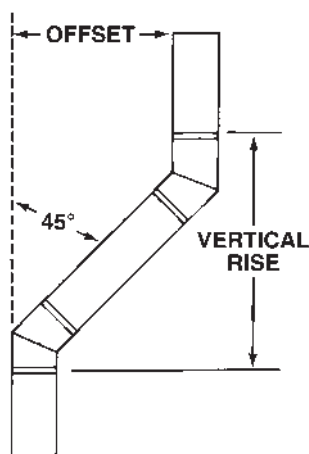
Caps in 3" through 12" sizes may be installed in accordance with the Gas Vent Termination Table if the vent is at least 8' from any vertical wall.

For installation of caps 14" and larger, or for caps that are less than 8' from a vertical wall, the cap is to be located no less than 2' above the highest point where the vent passes through the roof and at least 2' higher than any portion of a building within 10'.

Gas Vent Termination Table

| Roof Pitch | Minimum Height |
|---------------------|----------------|
| flat to 7/12 | 1.0 feet |
| over 7/12 to 8/12 | 1.5 feet |
| over 8/12 to 9/12 | 2.0 feet |
| over 9/12 to 10/12 | 2.5 feet |
| over 10/12 to 11/12 | 3.25 feet |
| over 11/12 to 12/12 | 4.0 feet |
| over 12/12 to 14/12 | 5.0 feet |
| over 14/12 to 16/12 | 6.0 feet |
| over 16/12 to 18/12 | 7.0 feet |
| over 18/12 to 20/12 | 7.5 feet |
| over 20/12 to 21/12 | 8.0 feet |

GAS VENT OFFSET TABLE



This table is used to determine the offset produced by two DuraVent 45° elbows set at the maximum angle of 45°. Also shown are the offsets produced by introducing various lengths between the two elbows.

Maximum Offset in Inches

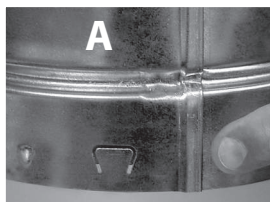
| Vent Size | With Two 45° Elbows Only | One 12" Length | One 18" Length | One 24" Length | One 3' Length |
|-----------|--------------------------|----------------|----------------|----------------|---------------|
| 10" | 7-1/4" | 15" | 19-1/4" | 23-1/2" | 32" |
| 12" | 7-1/4" | 15" | 19-1/4" | 23-1/2" | 32" |
| 14" | 8-1/2" | 16-1/4" | 20-1/2" | 24-3/4" | 33-1/4" |
| 16" | 9-1/4" | 17" | 21-1/4" | 25-1/2" | 34" |
| 18" | 10" | 17-3/4" | 22" | 26-1/4" | 34-3/4" |
| 20" | 10-1/4" | 18" | 22-1/4" | 26-1/2" | 35" |
| 22" | 10-1/4" | 18" | 22-1/4" | 26-1/2" | 35" |
| 24" | 11-1/4" | 19" | 23-1/4" | 27-1/2" | 36" |
| 26" | 12" | 19-3/4" | 24" | 28-1/4" | 36-3/4" |
| 28" | 12-3/4" | 20-1/2" | 24-3/4" | 29" | 37-1/2" |
| 30" | 13-1/2" | 21-1/4" | 25-1/2" | 29-3/4" | 38-1/4" |

Note: The vertical rise can also be closely estimated by adding one "A" and one "B" dimension to Maximum Offset figures. (See page 14 for "A" and "B" dimensions of Round Adjustable 45° Elbows.)

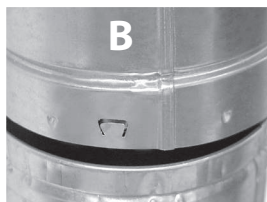
DuraLock® Type “B” Gas Vent System

Our non-positional lock system on the DuraVent® BV Gas Vent is the best lock system on the market today. The incorporation of the DuraTab® feature simply improves our lock system by adding flexibility and meeting market needs.

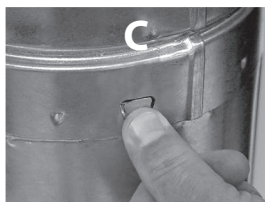
To use the DuraTab® feature: BV 3” through 8”



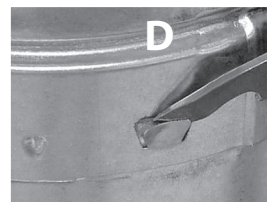
The DuraTab is located on the female end of the gas vent.



Assemble the gas vent sections.



Press the DuraTab with finger or thumb into channel to lock the two lengths together.



To disengage the DuraTab, pull out by using a flathead screwdriver.

DuraTab: You no longer have to use sheet metal screws to secure pipe connections if required by local code. Just press the “DuraTab” and you are done.

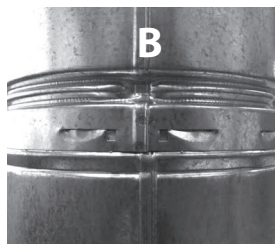
The BV line of DuraVent round vent pipe and fittings is designed for use on approved gas appliances in residential and light commercial and industrial applications.

NOTE: Size refers to the inside diameter of the pipe or fitting. The outside diameter of 3” to 8” BV is approximately 1/2” larger. Outer material is 28 GA galvanized steel. Inner liner is aluminum. In Canada some lengths are available with galvalume steel outer material.

Large Diameter Connection Method: BV 10” through 30”



Line up seams of both pipes (ensure UP ARROW on label is pointing up or away from the appliance).



Press down on the pipe all the way around until you hear a snap-in-place sound. The pipes are now firmly connected.



To disengage the DuraLock, pull out all lances (teeth). Rotate joint slightly while gently pulling apart.

Oval Connection Method: BVO 4" - 6"

LOCKING OF JOINTS



Place female coupler over preceding male coupler.



Press side of pipe down until joint seats.



Press other side of pipe down until joint is engaged.

UNLOCKING OF JOINTS



Insert screwdriver one inch into joint as shown.



Press firmly inward with blade of screwdriver and pry upwards **VERY SLOWLY AND GENTLY**. Joint will slowly separate without damage.

Rugged Construction

Strong, durable galvanized steel outer pipe has internal spacing beads to assure a uniform insulating air space between pipe walls. Each end is die formed to assure uniform sizing for strong, easy to connect joints. In Canada, some lengths are available in galvalume steel outer pipe.

The inner aluminum pipe is attached to the outer pipe at only one end. This arrangement allows for differential expansion between the two pipes, eliminating operational noises.

Assured Safety

The double wall (pipe within a pipe) construction with its built-in air space, provides permanent insulation and keeps the inner pipe hot and the outer pipe relatively cool. Such construction creates quick, strong vent action and reduces condensation in the pipe or overheating of nearby enclosure surfaces.

With special factory supplied parts, 4" BVO oval pipe can be installed at less than one inch clearance to combustible surfaces as a Type BW vent for recessed wall furnaces or as a Type B vent through 2 x 4 walls. Check with local authorities if Type BW vent is permissible in your area.

Fully Tested And Listed

DuraVent Gas Vent pipe and fittings have been tested and listed per UL 441 for installation as Type B and BW gas vents to be installed in single and multi-story buildings in accordance with the standards of The National Fire Protection Association NFPA54 and NFPA211. In Canada, DuraVent Gas Vent pipe and fittings have been tested and listed per CAN/ULC-S605 for installation as Type B and BW gas vents and to be installed in single and multi-story buildings in accordance with the Canadian Fuel Gas Installation Code CAN/CSA-B149.1.00.

They must be enclosed in occupied portions of a building. When the enclosure is made of combustible material, refer to the required minimum clearance in the DuraVent Model BV Installation Instructions.

Warning

The products in this catalog are only for use on listed natural gas or liquid propane Category I appliances. Do not use any gas vent on oil or woodburning appliances. These fuels can produce temperatures which may damage the gas vent with resulting hazard to both life and property. These gas vents are not suitable for use when sealed, pressure type, or leak-proof systems are called for. For residential "high efficiency" gas burning appliances, which may need sealed systems, Type B vents may be used only if allowed by the appliance manufacturer's installation instructions.

SPECIFICATIONS FOR VENTING APPROVED GAS BURNING APPLIANCES WITH TYPE B GAS VENT PIPE

The gas vent system shall be so engineered and constructed as to develop a positive flow adequate to exhaust all flue gases to outside atmosphere, without condensation within the vent or spillage at any appliance draft hood.

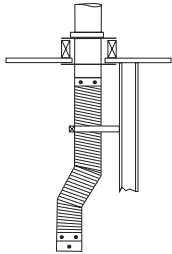
All flue-gas carrying parts of the vent system shall be DuraVent Type B double-wall gas vent piping, and such piping

shall be continuous from the appliances' outlets into the DuraVent vent termination.

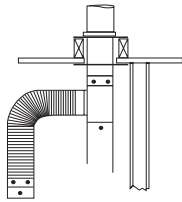
DuraVent gas vent piping shall be installed in full compliance with the terms of its Underwriters' Laboratories, Inc. Listing, with the manufacturer's installation instructions, and with nationally recognized codes representing good practice for such installations.

Typical Installations

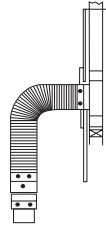
DuraConnect I & DuraConnect II



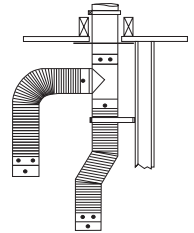
OFFSET THRU CEILING



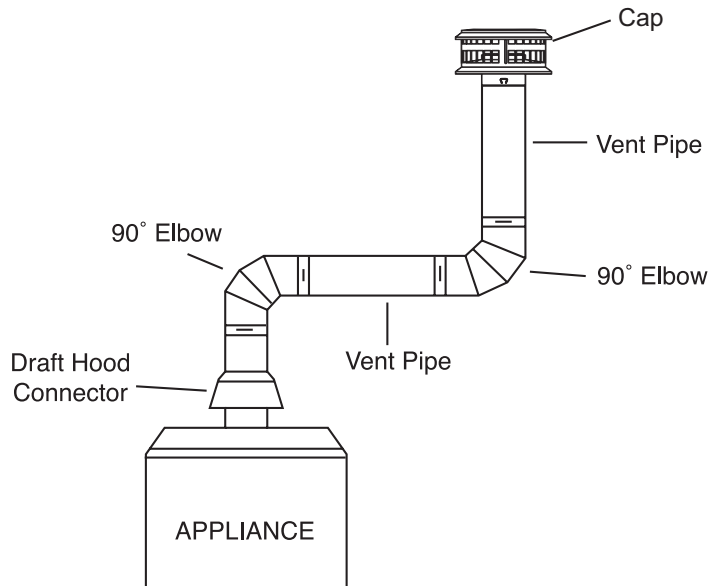
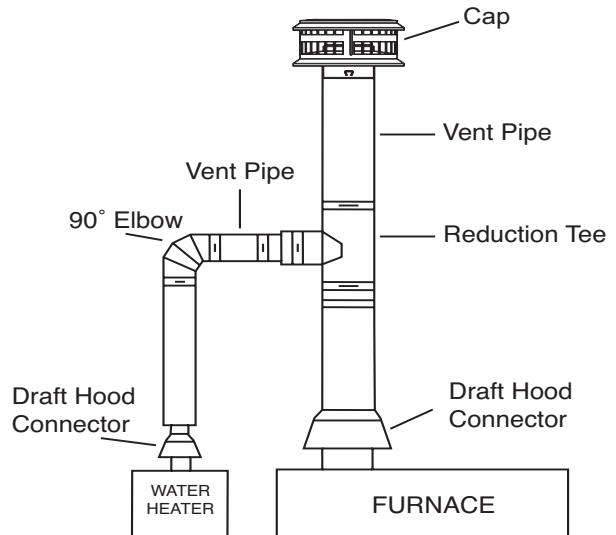
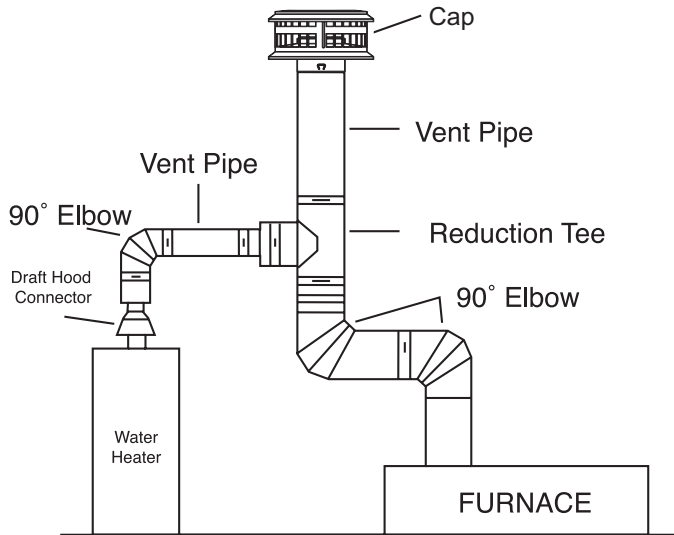
90° OFFSET W/TEE

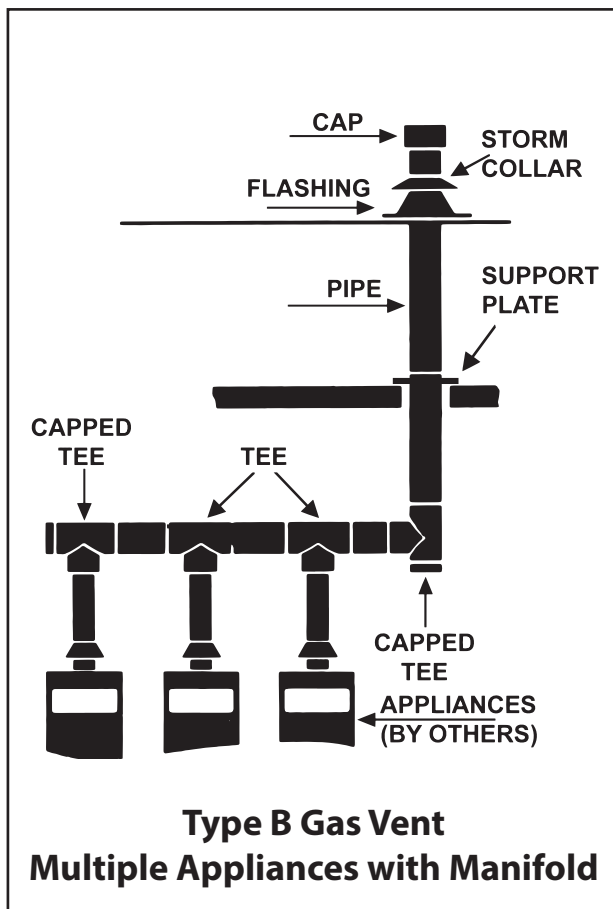
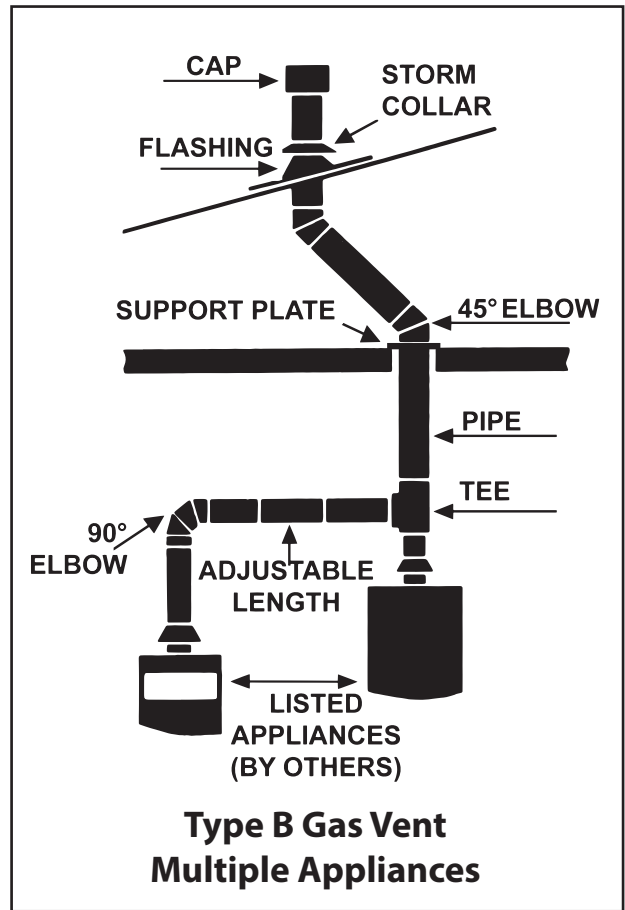
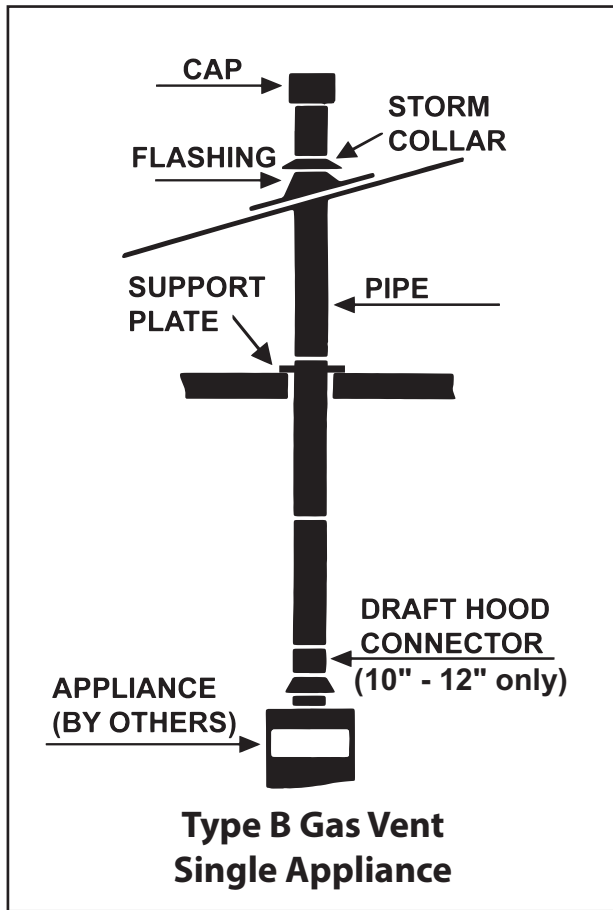


THRU THE WALL
TO BVO



COMBINED VENT
THRU CEILING





Round Type B Gas Vent

Roof Top Term Kit



- For terminating vertically in most common installations.
- Kit Includes:
 - (1) Round Cap
 - (1) Flashing Flat to 6/12
 - (1) Storm Collar
 - (1) Draft Hood Connector

*** Does not include pipe length**

| SIZE | ORDER # | STOCK # |
|------|---------|-----------|
| 3" | 3BVK | 810017731 |
| 4" | 4BVK | 810017730 |
| 5" | 5BVK | 810017732 |
| 6" | 6BVK | 810017733 |

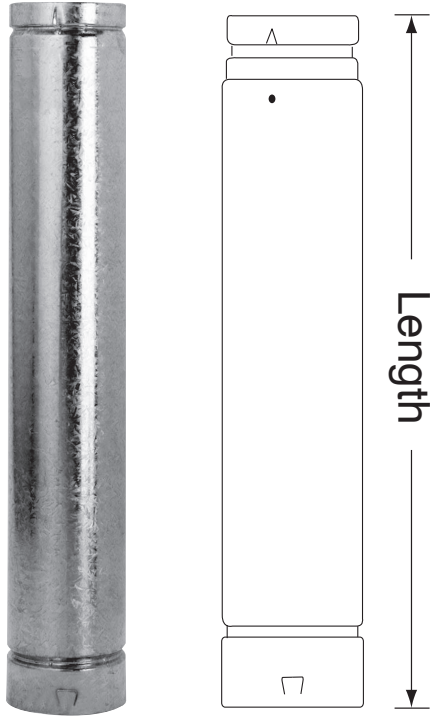
Vertical Kit



- Use to vertically vent unit heaters.
- Kit includes:
 - (1) 12" Pipe Length
 - (3) 24" Pipe Lengths
 - (1) 90° Elbow
 - (1) 3" Draft Hood Connector
 - (1) 4" Draft Hood Connector
 - (1) 3"-4" Increaser
 - (1) Round Cap
 - (1) Storm Collar
 - (1) Adjustable Flashing, Flat to 6/12

| SIZE | ORDER # | STOCK # |
|------|---------|-----------|
| 4" | 4GVKNT | 810006991 |

Round Rigid Pipe

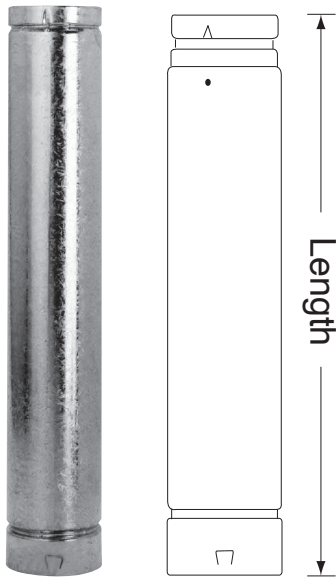


- Available in 3" to 8" diameters.
- Easy to assemble and can be combined to obtain the required installation height.
- To calculate installed height, deduct 1.5" for each joint.

**NOTE: For installation in Canada order "(0BV0C)" only.
Non-galvalume exterior vent must be painted.**

| SIZE | LENGTH | ORDER # | STOCK # | SIZE | LENGTH | ORDER # | STOCK # |
|------|--------|---------|-----------|------|--------|---------|-----------|
| 3" | 6" | 3BV06 | 810017737 | 5" | 6" | 5BV06 | 810017907 |
| 3" | 6" | 3BV06C | 810017738 | 5" | 6" | 5BV06C | 810017908 |
| 3" | 12" | 3BV12 | 810017739 | 5" | 12" | 5BV12 | 810017909 |
| 3" | 12" | 3BV12C | 810017740 | 5" | 12" | 5BV12C | 810017910 |
| 3" | 18" | 3BV18 | 810017742 | 5" | 18" | 5BV18 | 810017912 |
| 3" | 18" | 3BV18C | 810017743 | 5" | 18" | 5BV18C | 810017913 |
| 3" | 24" | 3BV24 | 810017745 | 5" | 24" | 5BV24 | 810017915 |
| 3" | 36" | 3BV36 | 810017747 | 5" | 24" | 5BV24C | 810017916 |
| 3" | 36" | 3BV36C | 810017748 | 5" | 36" | 5BV36 | 810017918 |
| 3" | 48" | 3BV48 | 810017750 | 5" | 36" | 5BV36C | 810017919 |
| 3" | 48" | 3BV48C | 810017751 | 5" | 48" | 5BV48 | 810017921 |
| 3" | 60" | 3BV60 | 810017753 | 5" | 48" | 5BV48C | 810017922 |
| 3" | 60" | 3BV60C | 810017754 | 5" | 60" | 5BV60 | 810017921 |
| 4" | 6" | 4BV06 | 810017817 | 5" | 60" | 5BV60C | 810017922 |
| 4" | 6" | 4BV06C | 810017818 | 6" | 6" | 6BV06 | 810017993 |
| 4" | 12" | 4BV12 | 810017819 | 6" | 6" | 6BV06C | 810017994 |
| 4" | 12" | 4BV12C | 810017820 | 6" | 12" | 6BV12 | 810017995 |
| 4" | 18" | 4BV18 | 810017822 | 6" | 12" | 6BV12C | 810017996 |
| 4" | 18" | 4BV18C | 810017823 | 6" | 18" | 6BV18 | 810017998 |
| 4" | 24" | 4BV24 | 810017825 | 6" | 18" | 6BV18C | 810017999 |
| 4" | 24" | 4BV24C | 810017826 | 6" | 24" | 6BV24 | 810018001 |
| 4" | 36" | 4BV36 | 810017828 | 6" | 24" | 6BV24C | 810018002 |
| 4" | 36" | 4BV36C | 810017829 | 6" | 36" | 6BV36 | 810018004 |
| 4" | 48" | 4BV48 | 810017831 | 6" | 36" | 6BV36C | 810018005 |
| 4" | 48" | 4BV48C | 810017832 | 6" | 48" | 6BV48 | 810018007 |
| 4" | 60" | 4BV60 | 810017834 | 6" | 48" | 6BV48C | 810018008 |
| 4" | 60" | 4BV60C | 810017835 | 6" | 60" | 6BV60 | 810018010 |
| | | | | 6" | 60" | 6BV60C | 810018011 |

Round Rigid Pipe *continued*

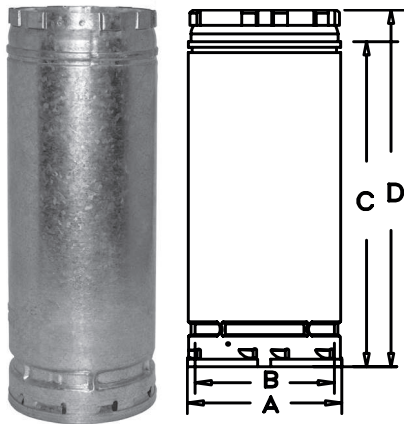


- Available in 3" to 8" diameters.
- Easy to assemble and can be combined to obtain the required installation height.
- To calculate installed height, deduct 1.5" for each joint.

NOTE: For installation in Canada order "(0BV0C)" only. Non-galvalume exterior vent must be painted.

| SIZE | LENGTH | ORDER # | STOCK # | SIZE | LENGTH | ORDER # | STOCK # |
|------|--------|---------|-----------|------|--------|---------|-----------|
| 7" | 6" | 7BV06 | 810018085 | 7" | 60" | 7BV60C | 810018102 |
| 7" | 12" | 7BV12 | 810018086 | 8" | 6" | 8BV06 | 810018155 |
| 7" | 12" | 7BV12C | 810018087 | 8" | 12" | 8BV12 | 810018156 |
| 7" | 18" | 7BV18 | 810018089 | 8" | 18" | 8BV18 | 810018158 |
| 7" | 18" | 7BV18C | 810018090 | 8" | 18" | 8BV18C | 810018159 |
| 7" | 24" | 7BV24 | 810018092 | 8" | 24" | 8BV24 | 810018161 |
| 7" | 24" | 7BV24C | 810018093 | 8" | 24" | 8BV24C | 810018162 |
| 7" | 36" | 7BV36 | 810018095 | 8" | 36" | 8BV36 | 810018164 |
| 7" | 36" | 7BV36C | 810018096 | 8" | 36" | 8BV36C | 810018165 |
| 7" | 48" | 7BV48 | 810018098 | 8" | 48" | 8BV48 | 810018167 |
| 7" | 48" | 7BV48C | 810018099 | 8" | 48" | 8BV48C | 810018168 |
| 7" | 60" | 7BV60 | 810018101 | 8" | 60" | 8BV60 | 810018170 |
| | | | | 8" | 60" | 8BV60C | 810018171 |

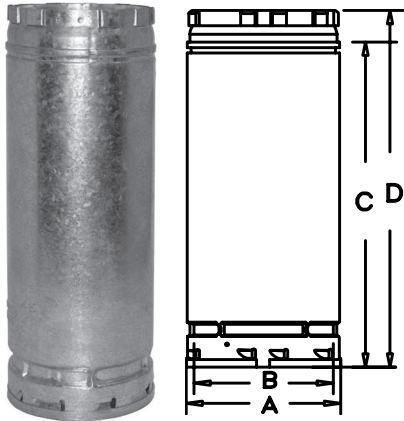
Large Diameter Round Rigid Pipe



- Easy to assemble and can be combined to obtain the required installation height.
 - To calculate installed height, deduct 1" for each joint.
- NOTE: In Canada, all exterior vent must be painted.**

| SIZE | LENGTH | ORDER # | STOCK # | O.D. (A) | I.D. (B) | C | D |
|------|--------|---------|-----------|----------|----------|-----|-----|
| 10" | 12" | 10BV12 | 810018222 | 11" | 10" | 11" | 12" |
| 10" | 18" | 10BV18 | 810018223 | 11" | 10" | 17" | 18" |
| 10" | 24" | 10BV24 | 810018224 | 11" | 10" | 23" | 24" |
| 10" | 36" | 10BV36 | 810018225 | 11" | 10" | 35" | 36" |
| 12" | 12" | 12BV12 | 810018243 | 13" | 12" | 11" | 12" |
| 12" | 18" | 12BV18 | 810018244 | 13" | 12" | 17" | 18" |
| 12" | 24" | 12BV24 | 810018245 | 13" | 12" | 23" | 24" |
| 12" | 36" | 12BV36 | 810018246 | 13" | 12" | 35" | 36" |
| 14" | 12" | 14BV12 | 810018264 | 15" | 14" | 11" | 12" |
| 14" | 18" | 14BV18 | 810018265 | 15" | 14" | 17" | 18" |
| 14" | 24" | 14BV24 | 810018266 | 15" | 14" | 23" | 24" |
| 14" | 36" | 14BV36 | 810018267 | 15" | 14" | 35" | 36" |

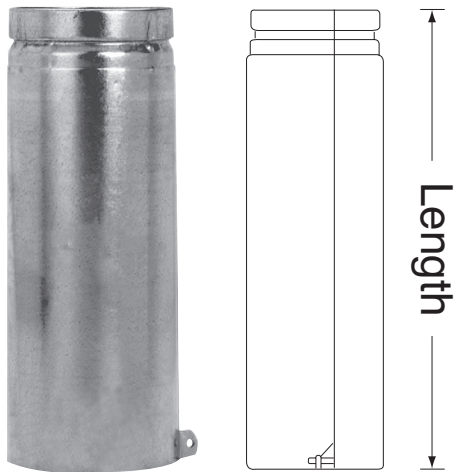
Large Diameter
Round Rigid Pipe *continued*



- Easy to assemble and can be combined to obtain the required installation height.
 - To calculate installed height, deduct 1" for each joint.
- NOTE: In Canada, all exterior vent must be painted.**

| SIZE | LENGTH | ORDER # | STOCK # | O.D. (A) | I.D. (B) | C | D |
|------|--------|---------|-----------|----------|----------|-----|-----|
| 16" | 12" | 16BV12 | 810018282 | 17" | 16" | 11" | 12" |
| 16" | 18" | 16BV18 | 810018283 | 17" | 16" | 17" | 18" |
| 16" | 24" | 16BV24 | 810018284 | 17" | 16" | 23" | 24" |
| 16" | 36" | 16BV36 | 810018285 | 17" | 16" | 35" | 36" |
| 18" | 12" | 18BV12 | 810018299 | 19" | 18" | 11" | 12" |
| 18" | 18" | 18BV18 | 810018300 | 19" | 18" | 17" | 18" |
| 18" | 24" | 18BV24 | 810018301 | 19" | 18" | 23" | 24" |
| 18" | 36" | 18BV36 | 810018302 | 19" | 18" | 35" | 36" |
| 20" | 12" | 20BV12 | 810018317 | 21" | 20" | 11" | 12" |
| 20" | 18" | 20BV18 | 810018318 | 21" | 20" | 17" | 18" |
| 20" | 24" | 20BV24 | 810018319 | 21" | 20" | 23" | 24" |
| 20" | 36" | 20BV36 | 810018320 | 21" | 20" | 35" | 36" |
| 22" | 12" | 22BV12 | 810018335 | 23" | 22" | 11" | 12" |
| 22" | 18" | 22BV18 | 810018336 | 23" | 22" | 17" | 18" |
| 22" | 24" | 22BV24 | 810018337 | 23" | 22" | 23" | 24" |
| 22" | 36" | 22BV36 | 810018338 | 23" | 22" | 35" | 36" |
| 24" | 12" | 24BV12 | 810018352 | 25" | 24" | 11" | 12" |
| 24" | 18" | 24BV18 | 810018353 | 25" | 24" | 17" | 18" |
| 24" | 24" | 24BV24 | 810018354 | 25" | 24" | 23" | 24" |
| 24" | 36" | 24BV36 | 810018355 | 25" | 24" | 35" | 36" |
| 26" | 12" | 26BV12 | 810018368 | 27" | 26" | 11" | 12" |
| 26" | 18" | 26BV18 | 810018369 | 27" | 26" | 17" | 18" |
| 26" | 24" | 26BV24 | 810018370 | 27" | 26" | 23" | 24" |
| 26" | 36" | 26BV36 | 810018371 | 27" | 26" | 35" | 36" |
| 28" | 12" | 28BV12 | 810018383 | 29" | 28" | 11" | 12" |
| 28" | 18" | 28BV18 | 810018384 | 29" | 28" | 17" | 18" |
| 28" | 24" | 28BV24 | 810018385 | 29" | 28" | 23" | 24" |
| 28" | 36" | 28BV36 | 810018386 | 29" | 28" | 35" | 36" |
| 30" | 12" | 30BV12 | 810018397 | 31" | 30" | 11" | 12" |
| 30" | 18" | 30BV18 | 810018398 | 31" | 30" | 17" | 18" |
| 30" | 24" | 30BV24 | 810018399 | 31" | 30" | 23" | 24" |
| 30" | 36" | 30BV36 | 810018400 | 31" | 30" | 35" | 36" |

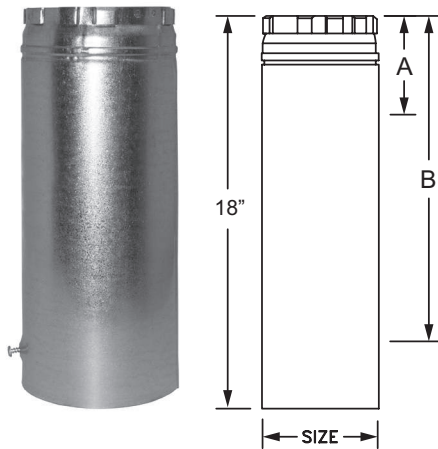
Round Adjustable Pipe



- Used in combination with a straight length, this component assures that an exact required vent length can be achieved.
- Allows for easy disassembly and can absorb the linear expansion of longer pipe lengths.
- 12" Length adjusts from 3 1/2" to 10 1/2"
- 18" Length adjusts from 6" to 16"

| SIZE | LENGTH | ORDER # | STOCK # |
|------|------------------|---------|-----------|
| 3" | 3 1/2" - 10 1/2" | 3BV12A | 810017756 |
| 3" | 6" - 16" | 3BV18A | 810017758 |
| 4" | 3 1/2" - 10 1/2" | 4BV12A | 810017840 |
| 4" | 6" - 16" | 4BV18A | 810017841 |
| 5" | 3 1/2" - 10 1/2" | 5BV12A | 810017928 |
| 5" | 6" - 16" | 5BV18A | 810017930 |
| 6" | 3 1/2" - 10 1/2" | 6BV12A | 810018014 |
| 6" | 6" - 16" | 6BV18A | 810018016 |
| 7" | 3 1/2" - 10 1/2" | 7BV12A | 810018104 |
| 8" | 3 1/2" - 10 1/2" | 8BV12A | 810018173 |

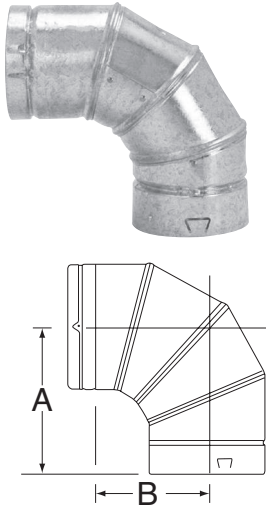
Large Diameter Round Adjustable Pipe



- Used in combination with a straight length of pipe to assure an exact length can be achieved.

| SIZE | ORDER # | STOCK # | (MIN) A | (MAX) B |
|------|---------|-----------|---------|---------|
| 10" | 10BV18A | 810018226 | 3" | 16" |
| 12" | 12BV18A | 810018247 | 3" | 16" |
| 14" | 14BV18A | 810018268 | 5" | 16" |
| 16" | 16BV18A | 810018286 | 5" | 16" |
| 18" | 18BV18A | 810018303 | 5" | 16" |
| 20" | 20BV18A | 810018321 | 5" | 16" |
| 22" | 22BV18A | 810018339 | 5" | 16" |
| 24" | 24BV18A | 810018356 | 5" | 16" |
| 26" | 26BV18A | 810018372 | 5" | 16" |
| 28" | 28BV18A | 810018387 | 5" | 16" |
| 30" | 30BV18A | 810018401 | 5" | 16" |

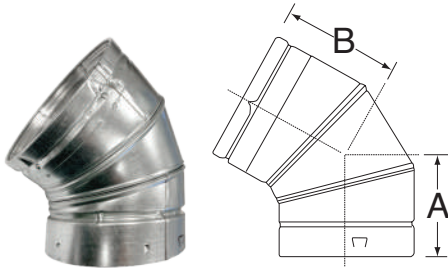
90° Adjustable Elbow



- Used when an offset is required to avoid obstructions such as rafters, joists and other construction obstacles.
- Used to orient pipe between vertical and horizontal orientation.
- Four piece adjustable elbow rotates 360° for perfect alignment.

| SIZE | ORDER # | STOCK # | A | B |
|------|---------|-----------|--------|----------|
| 3" | 3BVL90 | 810017761 | 6 3/8" | 4 11/16" |
| 4" | 4BVL90 | 810017843 | 6 3/8" | 4 11/16" |
| 5" | 5BVL90 | 810017931 | 6 3/8" | 4 11/16" |
| 6" | 6BVL90 | 810018017 | 6 3/8" | 4 11/16" |
| 7" | 7BVL90 | 810018106 | 8" | 6 1/2" |
| 8" | 8BVL90 | 810018175 | 8 1/4" | 6 3/4" |

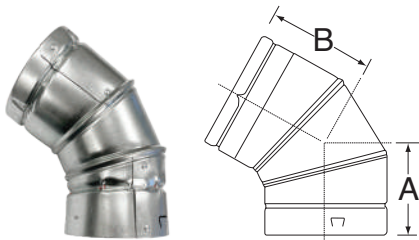
45° / 60° Adjustable Elbow



- Used when an offset is required to avoid obstructions such as rafters, joists and other construction obstacles.
- Three piece adjustable elbow rotates 360° for perfect alignment.

| SIZE | ORDER # | STOCK # | OUTER | A | B |
|------|---------|-----------|--------|--------|----------|
| 3" | 3BVL45 | 810017763 | 3 1/2" | 4 3/8" | 4 11/16" |
| 4" | 4BVL45 | 810017845 | 4 1/2" | 4 3/8" | 4 11/16" |
| 5" | 5BVL45 | 810017933 | 5 1/2" | 4 3/8" | 4 11/16" |
| 6" | 6BVL45 | 810018019 | 6 1/2" | 4 3/8" | 4 11/16" |

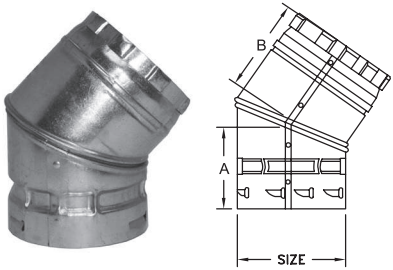
45° Adjustable Elbow



- Used when an offset is required to avoid obstructions such as rafters, joists and other construction obstacles.
- Three piece adjustable elbow rotates 360° for perfect alignment.

| SIZE | ORDER # | STOCK # | OUTER | A | B |
|------|---------|-----------|--------|---------|--------|
| 7" | 7BVL45 | 810018108 | 7 1/2" | 3 3/16" | 7 1/2" |
| 8" | 8BVL45 | 810018177 | 8 1/2" | 3 1/4" | 8 1/2" |

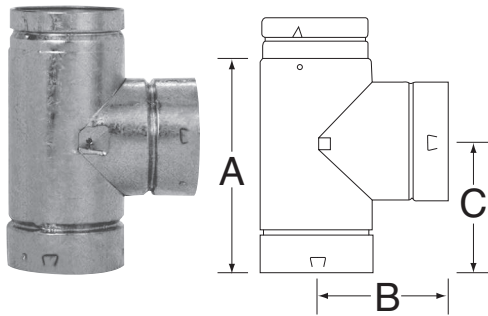
45° Elbow



- Elbows are used to offset installation to avoid obstructions such as rafters and joists.
- Size 10" through 14" adjust easily from 0° to 45°.
- Sizes 16" through 30" are non-adjustable.
- See the Gas Vent Offset Table on page 3.

| SIZE | ORDER # | STOCK # | A | B | ADJUSTABLE |
|------|---------|-----------|--------|----------|------------|
| 10" | 10BVL45 | 810018227 | 5 7/8" | 5 3/8" | 0° - 45° |
| 12" | 12BVL45 | 810018248 | 6" | 5 3/8" | 0° - 45° |
| 14" | 14BVL45 | 810018269 | 6 5/8" | 6 1/2" | 0° - 45° |
| 16" | 16BVL45 | 810018287 | 7" | 7" | --- |
| 18" | 18BVL45 | 810018304 | 7 1/2" | 7 1/2" | --- |
| 20" | 20BVL45 | 810018322 | 8" | 7 5/8" | --- |
| 22" | 22BVL45 | 810018340 | 8 1/2" | 8 5/8" | --- |
| 24" | 24BVL45 | 810018357 | 8 5/8" | 8 15/16" | --- |
| 26" | 26BVL45 | 810018373 | 9" | 9" | --- |
| 28" | 28BVL45 | 810018388 | 9 1/2" | 9" | --- |
| 30" | 30BVL45 | 810018402 | 10" | 10" | --- |

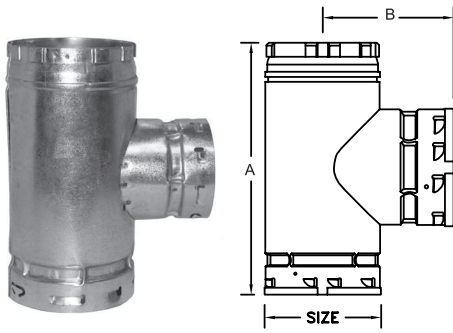
Standard Tee



- Used to transition system from horizontal to vertical orientation.
- Provides easy access for inspection and maintenance.
- Tee Cap sold separately.

| SIZE | ORDER # | STOCK # | A | B | C |
|------|---------|-----------|---------|--------|--------|
| 3" | 3BVT | 810017765 | 6 5/8" | 4 1/4" | 4 1/4" |
| 4" | 4BVT | 810017847 | 8 1/2" | 4 3/4" | 5" |
| 5" | 5BVT | 810017935 | 9 1/2" | 5 1/4" | 5 1/2" |
| 6" | 6BVT | 810018021 | 10 1/2" | 5 3/4" | 6" |
| 7" | 7BVT | 810018110 | 11 1/2" | 6 1/4" | 6 1/2" |
| 8" | 8BVT | 810018179 | 12 1/2" | 6 3/4" | 7" |

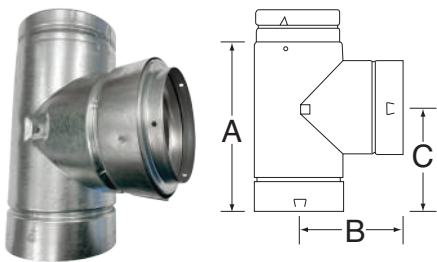
Large Diameter Standard Tee



- Used to transition system from horizontal to vertical orientation.
- Provides easy access for inspection and maintenance.
- Tee Cap sold separately.

| SIZE | ORDER # | STOCK # | A | B |
|------|---------|-----------|---------|---------|
| 10" | 10BVT | 810018229 | 16" | 8 1/16" |
| 12" | 12BVT | 810018250 | 17 5/8" | 9 3/4" |
| 14" | 14BVT | 810018270 | 24" | 11 3/4" |
| 16" | 16BVT | 810018288 | 26" | 13" |
| 18" | 18BVT | 810018305 | 28 1/2" | 14 1/4" |
| 20" | 20BVT | 810018323 | 30" | 15 1/2" |
| 22" | 22BVT | 810018341 | 33" | 16 3/4" |
| 24" | 24BVT | 810018358 | 36" | 18" |
| 26" | 26BVT | 810018374 | 38" | 19" |
| 28" | 28BVT | 810018389 | 40" | 20" |
| 30" | 30BVT | 810018403 | 42" | 21" |

Reducing Tee

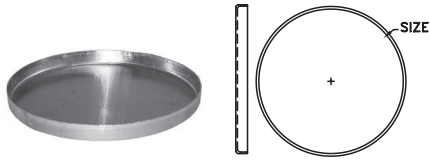


- Used to transition system from horizontal to vertical orientation.
- Allows small diameter pipe to be connected to the branch or body of the tee.
- Allows connections from 2 or more appliances into the common vent.

NOTE: Low Profile Double Wall Inserter included.

| SIZE | ORDER # | STOCK # | A | B | C |
|----------|---------|-----------|---------|--------|--------|
| 4" to 3" | 4BVTR3 | 810017849 | 8 1/2" | 4 3/4" | 5" |
| 5" to 3" | 5BVTR3 | 810017938 | 9 1/2" | 5 1/4" | 5 1/2" |
| 5" to 4" | 5BVTR4 | 810017937 | 9 1/2" | 5 1/4" | 5 1/2" |
| 6" to 3" | 6BVTR3 | 810018025 | 10 1/2" | 5 3/4" | 6" |
| 6" to 4" | 6BVTR4 | 810018024 | 10 1/2" | 5 3/4" | 6" |
| 6" to 5" | 6BVTR5 | 810018023 | 10 1/2" | 5 3/4" | 6" |
| 7" to 4" | 7BVTR4 | 810018151 | 11 1/2" | 6 1/4" | 6 1/2" |
| 7" to 5" | 7BVTR5 | 810018150 | 11 1/2" | 6 1/4" | 6 1/2" |
| 7" to 6" | 7BVTR6 | 810018149 | 11 1/2" | 6 1/4" | 6 1/2" |
| 8" to 4" | 8BVTR4 | 810018218 | 12 1/2" | 6 3/4" | 7" |
| 8" to 5" | 8BVTR5 | 810018217 | 12 1/2" | 6 3/4" | 7" |
| 8" to 6" | 8BVTR6 | 810018216 | 12 1/2" | 6 3/4" | 7" |

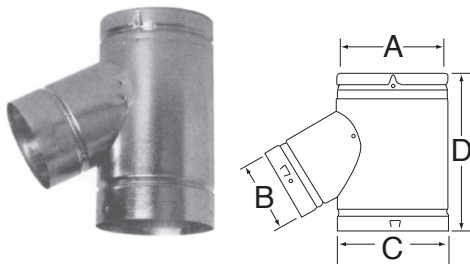
Tee Cap



- Used at bottom of Tee.
- Removable for easy system maintenance.

| SIZE | ORDER # | STOCK # | SIZE | ORDER # | STOCK # |
|------|---------|-----------|------|---------|-----------|
| 3" | 3BVTC | 810017767 | 16" | 16BVTC | 810018289 |
| 4" | 4BVTC | 810017851 | 18" | 18BVTC | 810018306 |
| 5" | 5BVTC | 810017941 | 20" | 20BVTC | 810018324 |
| 6" | 6BVTC | 810018029 | 22" | 22BVTC | 810018342 |
| 7" | 7BVTC | 810018112 | 24" | 24BVTC | 810018359 |
| 8" | 8BVTC | 810018181 | 26" | 26BVTC | 810018375 |
| 10" | 10BVTC | 810018230 | 28" | 28BVTC | 810018390 |
| 12" | 12BVTC | 810018251 | 30" | 30BVTC | 810018404 |
| 14" | 14BVTC | 810018271 | | | |

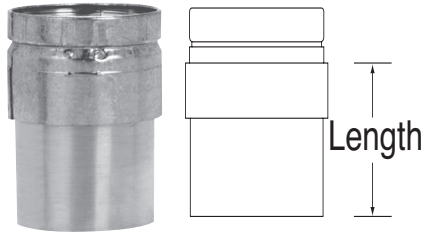
Fixed Wye



- Used to transition system from horizontal to vertical orientation.
- Provides better flue gas flow than a traditional Tee.

| SIZE | ORDER # | STOCK # | A | B | C | D |
|--------------|---------|-----------|----|----|----|---------|
| 4" x 4" x 3" | 4BVY43 | 810017896 | 4" | 4" | 3" | 13 1/2" |
| 4" x 4" x 4" | 4BVY44 | 810017901 | 4" | 4" | 4" | 10" |
| 4" x 3" x 4" | 4BVY34 | 810017888 | 4" | 3" | 4" | 10" |
| 5" x 3" x 4" | 5BVY34 | 810017961 | 5" | 3" | 4" | 11" |
| 5" x 4" x 4" | 5BVY44 | 810017972 | 5" | 4" | 4" | 11 3/8" |
| 5" x 3" x 5" | 5BVY35 | 810017971 | 5" | 3" | 5" | 10" |
| 5" x 4" x 5" | 5BVY45 | 810017985 | 5" | 4" | 5" | 10" |
| 6" x 3" x 4" | 6BVY34 | 810018040 | 6" | 3" | 4" | 13 1/2" |
| 6" x 4" x 3" | 6BVY43 | 810018053 | 6" | 4" | 3" | 13 1/2" |
| 6" x 4" x 4" | 6BVY44 | 810018055 | 6" | 4" | 4" | 13 1/2" |
| 6" x 4" x 5" | 6BVY45 | 810018064 | 6" | 4" | 5" | 13 1/2" |
| 6" x 3" x 5" | 6BVY35 | 810018050 | 6" | 3" | 5" | 13 1/2" |
| 6" x 3" x 6" | 6BVY36 | 810018052 | 6" | 3" | 6" | 11" |
| 6" x 4" x 6" | 6BVY46 | 810018077 | 6" | 4" | 6" | 11" |
| 6" x 5" x 6" | 6BVY56 | 810018114 | 6" | 5" | 6" | 11" |

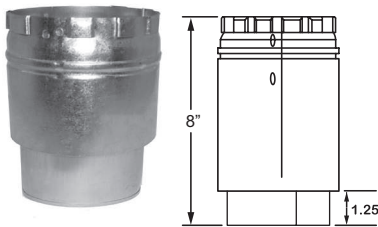
Draft Hood Connector



- Connects single wall Vent to B Vent.
- Used to connect B Vent to draft hood at appliance.

| SIZE | ORDER # | STOCK # | LENGTH |
|------|---------|-----------|--------|
| 3" | 3BVC | 810017769 | 4 1/2" |
| 4" | 4BVC | 810017857 | 4 1/2" |
| 5" | 5BVC | 810017948 | 4 1/2" |
| 6" | 6BVC | 810018042 | 4 1/2" |
| 7" | 7BVC | 81008115 | 7" |
| 8" | 8BVC | 810018183 | 8" |

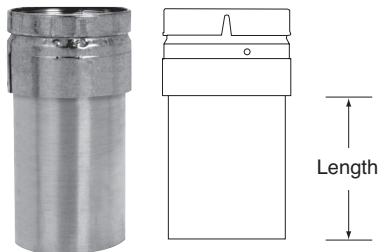
Large Diameter Draft Hood Connector



- Connects Type B gas vent directly to an appliance draft hood.
- Connects single wall connector pipe to B vent.

| SIZE | ORDER # | STOCK # |
|------|---------|-----------|
| 10" | 10BVC | 810018231 |
| 12" | 12BVC | 810018252 |
| 14" | 14BVC | 810018272 |
| 16" | 16BVC | 810018290 |
| 18" | 18BVC | 810018307 |

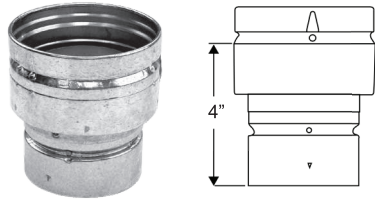
Extended Draft Hood Connector



- Connects single wall Vent to B Vent.
- Used to connect B Vent to draft hood at appliance.

| SIZE | ORDER # | STOCK # | LENGTH |
|------|---------|-----------|--------|
| 4" | 4BVCE | 810017859 | 5" |

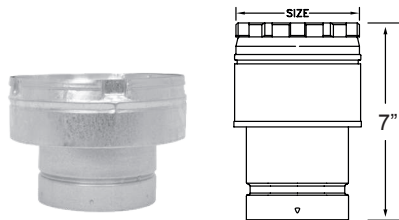
Increaser



- Use to increase vent diameter.
- Additional sizes available through special order.

| SIZE | ORDER # | STOCK # |
|----------|---------|-----------|
| 3" x 4" | 3BVX4 | 810017771 |
| 3" x 5" | 3BVX5 | 810017772 |
| 4" x 5" | 4BVX5 | 810017860 |
| 4" x 6" | 4BVX6 | 810017861 |
| 4" x 10" | 4BVX10 | 810017862 |
| 5" x 6" | 5BVX6 | 810017950 |

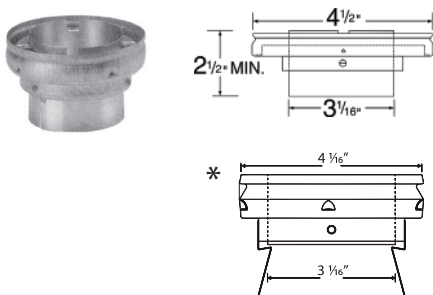
Large Diameter Increaser



- The increaser is used to increase the vent size.
- The maximum increase is 4 sizes.

| SIZE | ORDER # | STOCK # | SIZE | ORDER # | STOCK # |
|-----------|---------|-----------|-----------|---------|-----------|
| 6" x 10" | 6BVX10 | 810018044 | 16" x 20" | 16BVX20 | 810018296 |
| 6" x 12" | 6BVX12 | 810018045 | 16" x 22" | 16BVX22 | 810018297 |
| 7" x 10" | 7BVX10 | 810018117 | 18" x 20" | 18BVX20 | 810018312 |
| 7" x 12" | 7BVX12 | 810018118 | 18" x 22" | 18BVX22 | 810018313 |
| 8" x 10" | 8BVX10 | 810018185 | 18" x 24" | 18BVX24 | 810018314 |
| 8" x 12" | 8BVX12 | 810018186 | 18" x 26" | 18BVX26 | 810018315 |
| 8" x 14" | 8BVX14 | 810018187 | 20" x 22" | 20BVX22 | 810018330 |
| 10" x 12" | 10BVX12 | 810018237 | 20" x 24" | 20BVX24 | 810018331 |
| 10" x 14" | 10BVX14 | 810018238 | 20" x 26" | 20BVX26 | 810018332 |
| 10" x 16" | 10BVX16 | 810018239 | 20" x 28" | 20BVX28 | 810018333 |
| 10" x 18" | 10BVX18 | 810018240 | 22" x 24" | 22BVX24 | 810018347 |
| 12" x 14" | 12BVX14 | 810018258 | 22" x 26" | 22BVX26 | 810018348 |
| 12" x 16" | 12BVX16 | 810018259 | 22" x 28" | 22BVX28 | 810018349 |
| 12" x 18" | 12BVX18 | 810018260 | 22" x 30" | 22BVX30 | 810018350 |
| 12" x 20" | 12BVX20 | 810018261 | 24" x 26" | 24BVX26 | 810018364 |
| 14" x 16" | 14BVX16 | 810018277 | 24" x 28" | 24BVX28 | 810018365 |
| 14" x 18" | 14BVX18 | 810018278 | 24" x 30" | 24BVX30 | 810018366 |
| 14" x 20" | 14BVX20 | 810018279 | 26" x 28" | 26BVX28 | 810018380 |
| 14" x 22" | 14BVX22 | 810018280 | 26" x 30" | 26BVX30 | 810018381 |
| 16" x 18" | 16BVX18 | 810018295 | 28" x 30" | 28BVX30 | 810018395 |

Appliance Increaser USA only

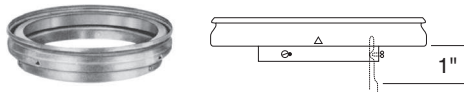


- Use to increase the vent diameter directly on top of the appliance.
- Increase 3" to 4" only.

| SIZE | ORDER # | STOCK # |
|-----------|----------|-----------|
| 3" - 4" | 3BVAX4 | 810017781 |
| * 3" - 4" | 3BVRRAX4 | 810017809 |

* Only for use with Rheem / Ruud Appliances

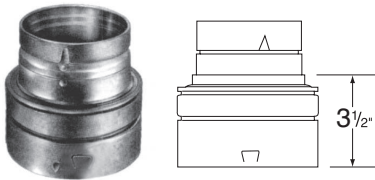
Low Profile Double Wall Inserter



- Used to increase pipe diameter
- Used for tight installations to optimize space.

| SIZE | ORDER # | STOCK # | SIZE | ORDER # | STOCK # |
|---------|---------|-----------|----------|---------|-----------|
| 3" x 4" | 3BVLX4 | 810017775 | 4" x 8" | 4BVLX8 | 810017868 |
| 3" x 5" | 3BVLX5 | 810017776 | 5" x 6" | 5BVLX6 | 810017951 |
| 3" x 6" | 3BVLX6 | 810017777 | 5" x 7" | 5BVLX7 | 810017952 |
| 3" x 7" | 3BVLX7 | 810017778 | 5" x 8" | 5BVLX8 | 810017953 |
| 3" x 8" | 3BVLX8 | 810017779 | 6" x 7" | 6BVLX7 | 810018046 |
| 4" x 5" | 4BVLX5 | 810017865 | 6" x 8" | 6BVLX8 | 810018047 |
| 4" x 6" | 4BVLX6 | 810017866 | 7" x 8" | 7BVLX8 | 810018119 |
| 4" x 7" | 4BVLX7 | 810017867 | 8" x 10" | 8BVLX10 | 810018188 |

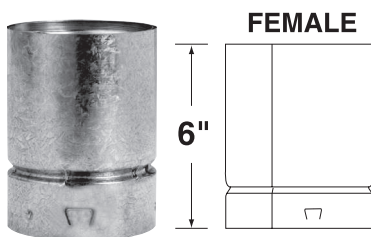
Reducer USA only



NOTE: One step only

| SIZE | ORDER # | STOCK # | STEP | SIZE | ORDER # | STOCK # | STEP |
|------|---------|-----------|---------|------|---------|-----------|---------|
| 4" | 4BVR3 | 810017871 | 4" x 3" | 7" | 7BVR6 | 810018120 | 7" x 6" |
| 5" | 5BVR4 | 810017955 | 5" x 4" | 8" | 8BVR4 | 810018189 | 8" x 7" |
| 6" | 6BVR5 | 810018048 | 6" x 5" | | | | |

Universal Female Adapter

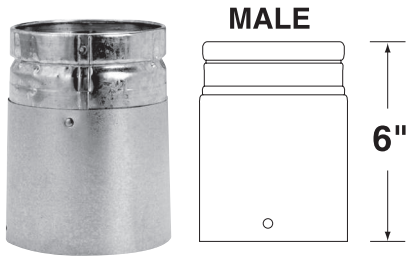


- Used to connect B Vent to/from 1/4" Type B Gas Vent.
- Allows DuraVent B Vent to be used in conjunction with other brands of existing vent.

NOTE: Female adapter used to adapt to DuraVent pipe toward appliance.

| SIZE | ORDER # | STOCK # | SIZE | ORDER # | STOCK # |
|------|---------|-----------|------|---------|-----------|
| 3" | 3BVAF | 810017784 | 6" | 6BVAF | 810018032 |
| 4" | 4BVAF | 810017855 | 7" | 7BVAF | 810018122 |
| 5" | 5BVAF | 810017944 | 8" | 8BVAF | 810018192 |

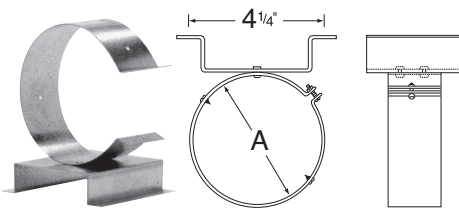
Universal Male Adapter



- Used to connect B Vent to/from 1/4" Type B Gas Vent.
- Allows DuraVent B Vent to be used in conjunction with other brands of existing vent.
- **NOTE: Male adapter used to adapt to DuraVent pipe toward termination.**

| SIZE | ORDER # | STOCK # | SIZE | ORDER # | STOCK # |
|------|---------|-----------|------|---------|-----------|
| 3" | 3BVAM | 810017786 | 6" | 6BVAM | 810018034 |
| 4" | 4BVAM | 810017873 | 7" | 7BVAM | 810018124 |
| 5" | 5BVAM | 810017946 | 8" | 8BVAM | 810018194 |

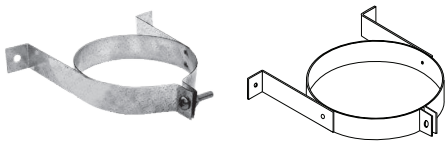
Wall Support / Band Assembly



- Used to support and stabilize the pipe against a wall.
- Will support up to 35'

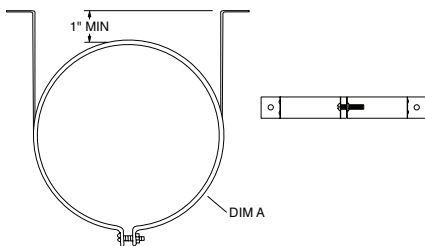
| SIZE | ORDER # | STOCK # | A |
|------|---------|-----------|---------|
| 3" | 3BVWSB | 810017789 | 3 5/8" |
| 4" | 4BVWSB | 810017881 | 4 5/8" |
| 5" | 5BVWSB | 810017964 | 5 5/8" |
| 6" | 6BVWSB | 810018057 | 6 5/8" |
| 7" | 7BVWSB | 810018127 | 7 5/8" |
| 8" | 8BVWSB | 810018196 | 8 5/8" |
| 10" | 10BVSBA | 810018232 | 11 1/8" |
| 12" | 12BVSBA | 810018253 | 13 1/8" |

Wall Band

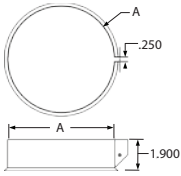


- Used to stabilize the pipe against a wall.
- Must be installed just above the Tee and every 6' there after.

| SIZE | ORDER # | STOCK # | A |
|------|---------|-----------|--------|
| 3" | 3BVWS | 810017788 | 3 1/2" |
| 4" | 4BVWS | 810017880 | 4 1/2" |
| 5" | 5BVWS | 810017963 | 5 1/2" |



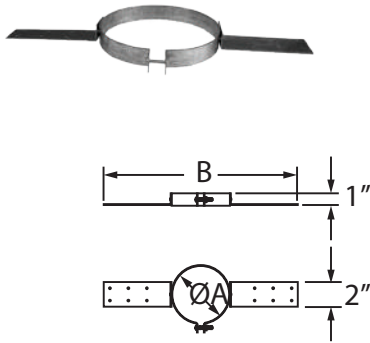
Gas Vent Support Collar & Hardware



- For use with field fabricated support plates and support plates for odd sized openings.

| SIZE | ORDER # | STOCK # | A |
|------|---------|-----------|--------|
| 3" | 3BVVSC | 810017790 | 3 5/8" |
| 4" | 4BVVSC | 810017882 | 4 5/8" |
| 5" | 5BVVSC | 810017965 | 5 5/8" |
| 6" | 6BVVSC | 810018058 | 6 5/8" |

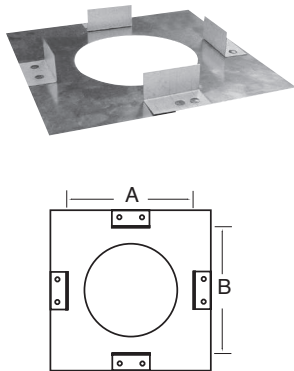
Gas Vent Roof Support



- Used to support Type B gas vent pipe at roof level.
- Can be used when DuraConnect II is installed in attic space.

| SIZE | ORDER # | STOCK # | A | B |
|------|---------|-----------|--------|---------|
| 3" | 3BVS | 810017794 | 3 5/8" | 14 3/4" |
| 4" | 4BVS | 810017886 | 4 5/8" | 15 3/4" |
| 5" | 5BVS | 810017969 | 5 5/8" | 16 3/4" |
| 6" | 6BVS | 810018062 | 6 5/8" | 17 3/4" |

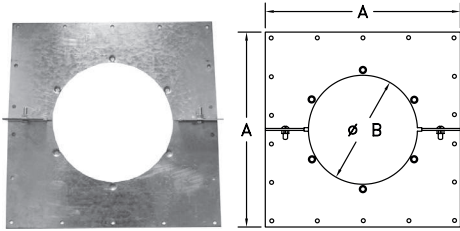
Gas Vent Firestop Spacer



- Used to protect combustible materials where pipe passes through a ceiling or wall
- Extended bottom flange

| SIZE | ORDER # | STOCK # | A | B |
|------|---------|-----------|---------|---------|
| 3" | 3BVFS | 810017795 | 5 1/2" | 5 1/2" |
| 4" | 4BVFS | 810017887 | 6 1/2" | 6 1/2" |
| 5" | 5BVFS | 810017970 | 7 1/2" | 7 1/2" |
| 6" | 6BVFS | 810018063 | 8 1/2" | 8 1/2" |
| 7" | 7BVFS | 810018132 | 9 1/2" | 9 1/2" |
| 8" | 8BVFS | 810018200 | 10 1/2" | 10 1/2" |

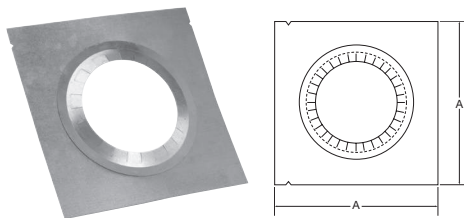
Firestop / Support Plate



- The support plate is designed to provide strength and durability for supporting large size pipe sections.
- Serves as a firestop.
- Supports up to 30' of pipe.

| SIZE | ORDER # | STOCK # | A | B |
|------|---------|-----------|-----|---------|
| 10" | 10BVFSP | 810018233 | 18" | 10 5/8" |
| 12" | 12BVFSP | 810018254 | 20" | 12 5/8" |
| 14" | 14BVFSP | 810018273 | 22" | 14 5/8" |
| 16" | 16BVFSP | 810018291 | 24" | 16 5/8" |
| 18" | 18BVFSP | 810018308 | 26" | 18 5/8" |
| 20" | 20BVFSP | 810018326 | 28" | 20 5/8" |
| 22" | 22BVFSP | 810018343 | 30" | 22 5/8" |
| 24" | 24BVFSP | 810018360 | 32" | 24 5/8" |
| 26" | 26BVFSP | 810018376 | 34" | 26 5/8" |
| 28" | 28BVFSP | 810018391 | 36" | 28 5/8" |
| 30" | 30BVFSP | 810018405 | 38" | 30 5/8" |

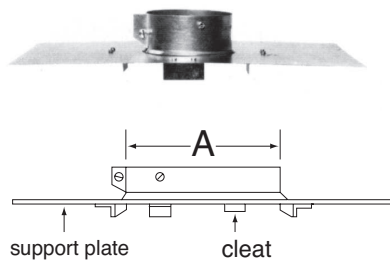
Quick Grip Firestop / Support -



- Used to support gas vent above floor.
- To be installed above floor/ceiling joist.
- Will support up to 30' of gas vent

| SIZE | ORDER # | STOCK # | A |
|------|---------|-----------|-----|
| 3" | 3BVFSPU | 810017797 | 9" |
| 4" | 4BVFSPU | 810017876 | 10" |
| 5" | 5BVFSPU | 810017958 | 11" |
| 6" | 6BVFSPU | 810018037 | 12" |

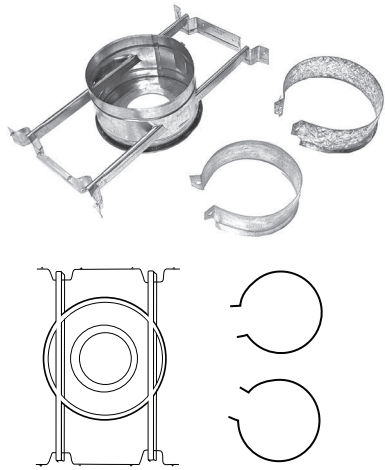
Support Assembly



- Support Plate should be installed above the joist.
- Support Plate also serves as a firestop.
- Will support a maximum of 35' of gas vent.

| SIZE | ORDER # | STOCK # | A | Plate Dim. |
|------|---------|-----------|--------|------------|
| 3" | 3BVVS | 810017792 | 3 5/8" | 17" x 10" |
| 4" | 4BVVS | 810017884 | 4 5/8" | 17" x 10" |
| 5" | 5BVVS | 810017967 | 5 5/8" | 17" x 12" |
| 6" | 6BVVS | 810018060 | 6 5/8" | 17" x 12" |
| 7" | 7BVVS | 810018130 | 7 5/8" | 17" x 14" |
| 8" | 8BVVS | 810018198 | 8 5/8" | 17" x 14" |

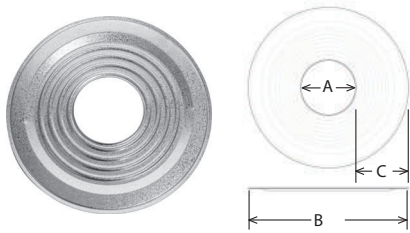
Round Bucket Support



- Use to support B Vent between 16 inch on center joists.
- Allows pipe section to slide through RBS and be adjusted as required based on installation needs.
- Pipe must be secured with included pipe collar.
- Allows connection to single wall or double wall connectors.
- Fire stop spacer required.
- Includes (2) hangers, bars, pipe supports and bucket.
- Will support up to 35'.

| SIZE | ORDER # | STOCK # |
|--------|---------|-----------|
| 3"- 4" | 3BVR54 | 810017798 |
| 5"- 6" | 5BVR56 | 810017973 |

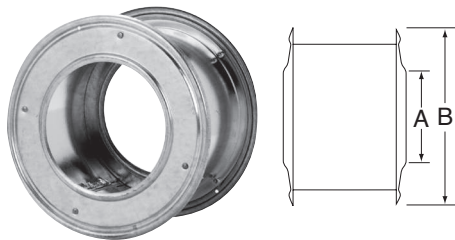
Pipe Collar



- Provides a decorative/finished appearance.

| SIZE | ORDER # | STOCK # | A | B | C |
|------|---------|-----------|--------|----------|---------|
| 3" | 3BVPC | 810017799 | 3 5/8" | 10 1/16" | 3 9/16" |
| 4" | 4BVPC | 810017889 | 4 5/8" | 10 1/16" | 3 1/16" |
| 5" | 5BVPC | 810017974 | 5 5/8" | 10 1/16" | 2 9/16" |
| 6" | 6BVPC | 810018067 | 6 5/8" | 10 1/16" | 2 1/16" |
| 7" | 7BVPC | 810018134 | 7 5/8" | 11 1/4" | 1 3/4" |

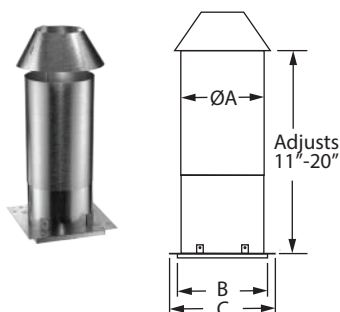
Wall Thimble



- Used to ensure clearance to combustibles is maintained.
- Wall Thimble also serves as a firestop.
- Adjusts from 4 - 1/8" to 7" to fit thickness of wall.

| SIZE | ORDER # | STOCK # | A | B |
|------|---------|-----------|--------|---------|
| 3" | 3BVWT | 810017801 | 3 5/8" | 7" |
| 4" | 4BVWT | 810017891 | 4 5/8" | 8 1/4" |
| 5" | 5BVWT | 810017976 | 5 5/8" | 9 1/2" |
| 6" | 6BVWT | 810018069 | 6 5/8" | 10 3/4" |
| 7" | 7BVWT | 810018135 | 7 5/8" | 11" |
| 8" | 8BVWT | 810018202 | 8 5/8" | 12 1/2" |

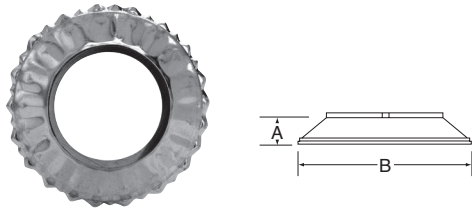
Attic Insulation Shield



- Required for installations that pass through an attic to prevent insulation and debris from accumulating near the vent.

| SIZE | ORDER # | STOCK # | A | B | C |
|--------|---------|-----------|---------|----------|--------|
| 3"- 4" | 3BVIS | 810017812 | 6 3/4" | 7 3/16" | 9 1/4" |
| 5"- 6" | 5BVIS | 810018031 | 8 3/4" | 8 15/16" | 11" |
| 7"- 8" | 7BVIS | 810018191 | 10 3/4" | 10 5/16" | 13" |

Storm Collar

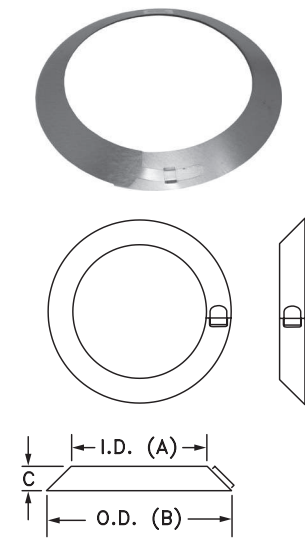


- Used to provide a weather proof seal to pipe above roof line.
- Used above the Flashing.
- Seal inner edge with hi-temp silicone sealant.

NOTE: See instructions for use/limitations

| SIZE | ORDER # | STOCK # | A | B |
|------|---------|-----------|---------|---------|
| 3" | 3BVSC | 810017804 | 1 1/16" | 6 5/8" |
| 4" | 4BVSC | 810017893 | 1 1/16" | 7 5/8" |
| 5" | 5BVSC | 810017979 | 1 1/16" | 8 5/8" |
| 6" | 6BVSC | 810018071 | 1 1/16" | 9 5/8" |
| 7" | 7BVSC | 810018137 | 1 1/16" | 10 3/4" |
| 8" | 8BVSC | 810018204 | 1 1/16" | 11 3/4" |

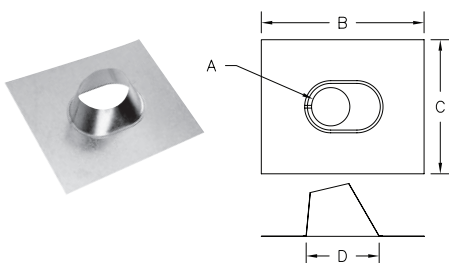
Large Diameter Storm Collar



- Used above the Flashing to provide weather strip seal to pipe.
- Seal the inner edge with sealant against pipe

| SIZE | ORDER # | STOCK # | (I.D.) A | (O.D.) B | C |
|------|---------|-----------|----------|-----------|----------|
| 10" | 10BVSC | 810018234 | 11" | 14 1/2" | 1 3/4" |
| 12" | 12BVSC | 810018255 | 13" | 16 1/2" | 1 3/4" |
| 14" | 14BVSC | 810018274 | 15" | 18 1/2" | 1 15/16" |
| 16" | 16BVSC | 810018292 | 17" | 21 1/4" | 2 1/8" |
| 18" | 18BVSC | 810018309 | 19" | 23 3/4" | 2 5/16" |
| 20" | 20BVSC | 810018327 | 21" | 25 15/16" | 2 1/2" |
| 22" | 22BVSC | 810018344 | 23" | 28 5/16" | 2 11/16" |
| 24" | 24BVSC | 810018361 | 25" | 30 11/16" | 1 7/8" |
| 26" | 26BVSC | 810018377 | 27" | 33 1/16" | 3 1/16" |
| 28" | 28BVSC | 810018392 | 29" | 35 1/16" | 3 1/4" |
| 30" | 30BVSC | 810018406 | 31" | 37 1/16" | 3 7/16" |

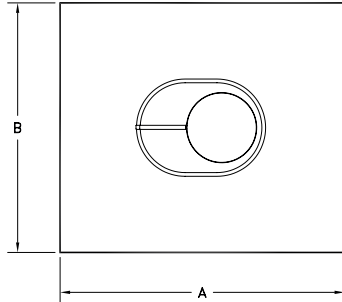
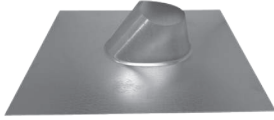
Adjustable Roof Flashing Flat to 6/12



- Fits flat to 6/12 pitch roof.
- Used where the vent passes through a roof.

| SIZE | ORDER # | STOCK # | A | B | C | D |
|------|---------|-----------|--------|-----------|-----------|----------|
| 3" | 3BVF | 810017782 | 3 1/2" | 14 7/8" | 12 1/4" | 6 11/16" |
| 4" | 4BVF | 810017853 | 4 1/2" | 16" | 13 1/4" | 7 3/4" |
| 5" | 5BVF | 810017981 | 5 1/2" | 16 15/16" | 14 1/4" | 8 7/8" |
| 6" | 6BVF | 810018073 | 6 1/2" | 18" | 15 1/4" | 10" |
| 7" | 7BVF | 810018139 | 7 1/2" | 19 1/8" | 16" | 11 1/8" |
| 8" | 8BVF | 810018206 | 8 1/2" | 2 1/4" | 16 15/16" | 12 1/4" |

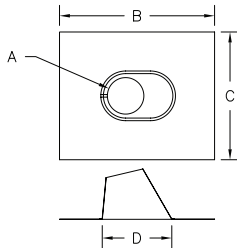
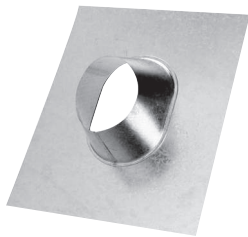
Large Diameter Adjustable Roof Flashing Flat to 6/12



- Fits flat to 6/12 pitch roof.
- Built with double-seamed construction for protection from leakage.

| SIZE | ORDER # | STOCK # | A | B |
|------|---------|-----------|----------|----------|
| 10" | 10BVF | 810018235 | 24 1/8" | 24 1/8" |
| 12" | 12BVF | 810018256 | 25 1/16" | 25 1/16" |
| 14" | 14BVF | 810018275 | 28" | 28" |
| 16" | 16BVF | 810018293 | 30 5/32" | 30 1/8" |
| 18" | 18BVF | 810018310 | 31 1/2" | 31 1/2" |
| 20" | 20BVF | 810018328 | 34" | 34" |
| 22" | 22BVF | 810018345 | 34 1/2" | 34 1/2" |
| 24" | 24BVF | 810018362 | 37" | 37" |
| 26" | 26BVF | 810018378 | 43" | 43" |
| 28" | 28BVF | 810018393 | 45" | 45" |
| 30" | 30BVF | 810018407 | 46" | 46" |

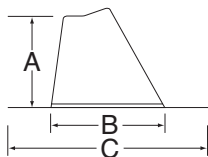
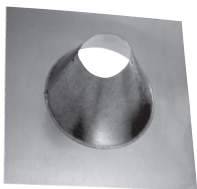
Adjustable Step Roof Flashing 6/12 to 12/12



- Used where the vent passes through a roof.
- Adjustable 6/12 to 12/12 pitch.

| SIZE | ORDER # | STOCK # | A | B | C | D |
|------|---------|-----------|--------|---------|-----------|---------|
| 3" | 3BVFSR | 810017807 | 3 1/2" | 18" | 15 1/4" | 10 1/4" |
| 4" | 4BVFSR | 810017897 | 4 1/2" | 19 1/8" | 16" | 11 1/8" |
| 5" | 5BVFSR | 810017983 | 5 1/2" | 20 1/4" | 16 15/16" | 12 1/4" |
| 6" | 6BVFSR | 810018075 | 6 1/2" | 24 1/4" | 20" | 15 5/8" |
| 7" | 7BVFSR | 810018141 | 7 1/2" | 24 1/4" | 20" | 15 5/8" |
| 8" | 8BVFSR | 810018208 | 8 1/2" | 25" | 19 1/2" | 17 1/8" |

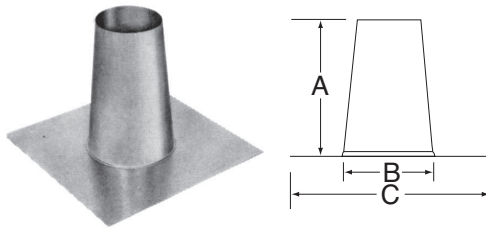
Tall Cone Adjustable Roof Flashing



- Used where the vent passes through a roof.
- Adjustable to 6/12 pitch

| SIZE | ORDER # | STOCK # | A | B | C |
|------|---------|-----------|--------|----------|---------|
| 3" | 3BVFTA | 810017806 | 8 3/4" | 11" | 19 1/2" |
| 4" | 4BVFTA | 810017878 | 8 3/4" | 11" | 19 1/2" |
| 5" | 5BVFTA | 810017960 | 8 3/4" | 11" | 19 1/2" |
| 6" | 6BVFTA | 810018039 | 8 3/4" | 11" | 19 1/2" |
| 7" | 7BVFTA | 810018126 | 8 3/4" | 14" | 22" |
| 8" | 8BVFTA | 810018210 | 8 3/4" | 15 3/16" | 23" |

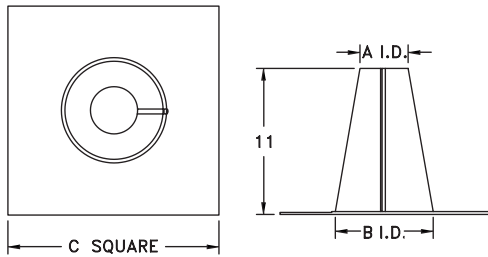
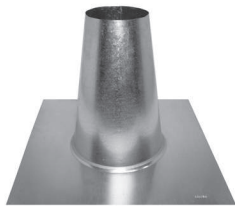
Tall Cone Flat Flashing



- Used on flat roof surfaces.

| SIZE | ORDER # | STOCK # | A | B | C |
|------|---------|-----------|-----|--------|---------|
| 3" | 3BVFF | 810017810 | 12" | 7 1/2" | 16 1/2" |
| 4" | 4BVFF | 810017900 | 12" | 7 1/2" | 16 1/2" |
| 5" | 5BVFF | 810017986 | 12" | 7 1/2" | 16 1/2" |
| 6" | 6BVFF | 810018078 | 12" | 11" | 19 1/2" |
| 7" | 7BVFF | 810018144 | 12" | 11" | 19 1/2" |
| 8" | 8BVFF | 810018211 | 12" | 11" | 19 1/2" |

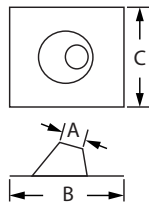
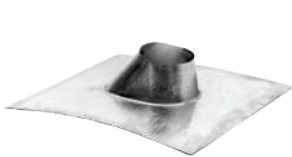
Large Diameter Tall Cone Flat Flashing



- Used on flat roofs in snow packed areas to reduce chances of snow covering the vent.
- The flashing with a tall cone fits flat to 1/12 roof pitches.

| SIZE | ORDER # | STOCK # | A (I.D.) | B (I.D.) | C |
|------|---------|-----------|----------|----------|----------|
| 10" | 10BVFF | 810018236 | 11 1/8" | 16" | 24 1/8" |
| 12" | 12BVFF | 810018257 | 13 1/8" | 16" | 24 1/8" |
| 14" | 14BVFF | 810018276 | 15 5/16" | 19 5/16" | 27" |
| 16" | 16BVFF | 810018294 | 17 5/16" | 19 5/16" | 30" |
| 18" | 18BVFF | 810018311 | 19 5/16" | 23 5/16" | 32 5/16" |
| 20" | 20BVFF | 810018329 | 21 5/16" | 23 5/16" | 36" |
| 22" | 22BVFF | 810018346 | 23 5/16" | 27 5/16" | 39" |
| 24" | 24BVFF | 810018363 | 25 5/16" | 27 5/16" | 40" |
| 26" | 26BVFF | 810018379 | 27 5/16" | 31 5/16" | 43" |
| 28" | 28BVFF | 810018394 | 29 5/16" | 31 5/16" | 45" |
| 30" | 30BVFF | 810018408 | 31 5/16" | 37 1/16" | 46" |

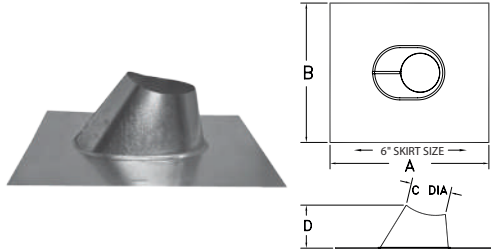
DSA Roof Flashing



- Use with metal or tile roofs.
- Baseplate made of dead soft aluminum.
- Available in Adjustable Roof Flashing style (0/12-6/12).

| SIZE | ORDER # | STOCK # | A | B | C |
|------|---------|-----------|--------|---------|-----------|
| 3" | 3BVFDSA | 810017796 | 3 5/8" | 19 3/8" | 23" |
| 4" | 4BVFDSA | 810017875 | 4 5/8" | 19 3/8" | 23" |
| 5" | 5BVFDSA | 810017957 | 5 5/8" | 22" | 24 13/16" |
| 6" | 6BVFDSA | 810018036 | 6 3/4" | 22" | 24 13/16" |

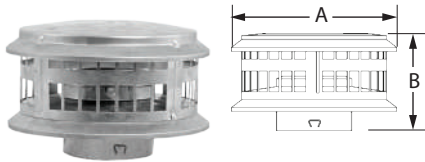
FHA Roof Flashing



- Available in Adjustable Roof Flashing style (0/12-6/12).

| SIZE | ORDER # | STOCK # | A | B | C | D |
|------|---------|-----------|-------|-------|------|------|
| 3" | 3BVFHA | 810017811 | 20 ¼" | 15 ½" | 3 ⅝" | 4" |
| 4" | 4BVFHA | 810017906 | 20 ¼" | 18" | 4 ⅝" | 5" |
| 5" | 5BVFHA | 810017992 | 24" | 19" | 5 ⅝" | 4 ⅞" |
| 6" | 6BVFHA | 810018084 | 24" | 19" | 6 ⅝" | 6" |

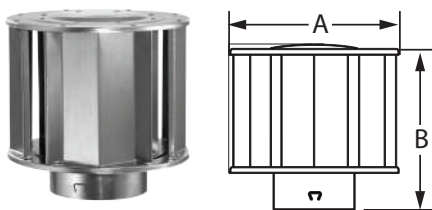
DuraCap



- Required where pipe terminates above the roof line.
- Use for vertical installations only.

| SIZE | ORDER # | STOCK # | A | B |
|------|---------|-----------|-----|------|
| 3" | 3BVDC | 810017813 | 8" | 5" |
| 4" | 4BVDC | 810017902 | 8" | 5" |
| 5" | 5BVDC | 810017988 | 11" | 7 ½" |
| 6" | 6BVDC | 810018080 | 11" | 7 ½" |
| 7" | 7BVDC | 810018145 | 15" | 7 ¼" |
| 8" | 8BVDC | 810018212 | 15" | 7 ¼" |

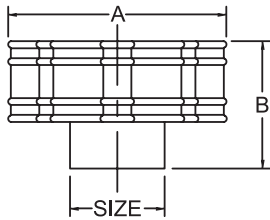
High-Wind Cap



- Provides improved performance in high wind conditions.
- For vertical terminations only.

| SIZE | ORDER # | STOCK # | A | B |
|------|---------|-----------|-------|-------|
| 3" | 3BVTTH | 810017815 | 7 ½" | 7 ¼" |
| 4" | 4BVTTH | 810017904 | 8 ½" | 8 ¼" |
| 5" | 5BVTTH | 810017990 | 9 ½" | 9 ⅜" |
| 6" | 6BVTTH | 810018082 | 10 ½" | 9 ¼" |
| 7" | 7BVTTH | 810018147 | 11 ½" | 11 ¾" |
| 8" | 8BVTTH | 810018214 | 12 ½" | 12 ¾" |
| 10" | 10BVVT | 810018241 | 17 ½" | 16" |
| 12" | 12BVVT | 810018262 | 19 ¼" | 18 ¾" |
| 14" | 14BVVT | 810018281 | 24" | 23" |
| 16" | 16BVVT | 810018298 | 26" | 19 ½" |
| 18" | 18BVVT | 810018316 | 30" | 21 ½" |

Universal Cap

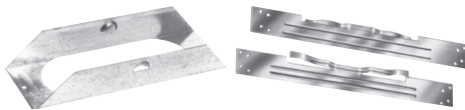


- Provides improved performance in high wind conditions.
- For vertical terminations only.

| SIZE | ORDER # | STOCK # | A | B |
|------|---------|-----------|-----|---------|
| 20" | 20BVVT | 810018334 | 34" | 23 1/2" |
| 22" | 22BVVT | 810018351 | 36" | 25 1/2" |
| 24" | 24BVVT | 810018367 | 39" | 27 1/2" |
| 26" | 26BVVT | 810018382 | 44" | 29 1/2" |
| 28" | 28BVVT | 810018396 | 48" | 31 1/2" |
| 30" | 30BVVT | 810018409 | 50" | 33 1/2" |

Oval Type B Gas Vent

Oval Installation Kit USA only



- Kit Includes:
- (2) Oval Ceiling Spacers
- (1) Oval Base Plate

| SIZE | ORDER # | STOCK # |
|------|---------|-----------|
| 4" | 4BVO-K | 810018410 |

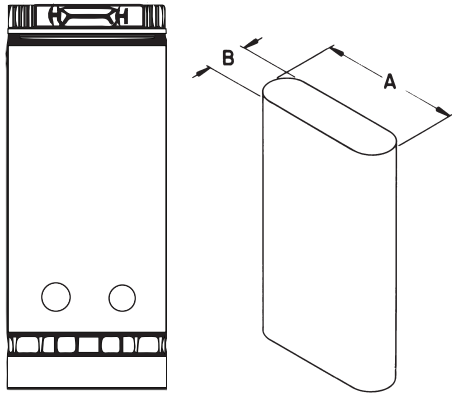
Oval Vent Kit USA only



- Kit includes:
- (2) Oval 24" Pipe Lengths
- (1) Oval Base Plate
- (2) Oval Ceiling Spacers
- (1) Oval-to-Round Adapter

| SIZE | ORDER # | STOCK # |
|------|---------|-----------|
| 4" | 4BVO-VK | 810018411 |

Oval Rigid Pipe
4", 5", 6" USA only



Note: Offers all the advantages of round pipe, and may be used for the following types of installations.

4" Oval:

- Conventional Type B
- Type B-2x4 when used with firestop
- Type BW-2x4 with recessed heater

5" Oval:

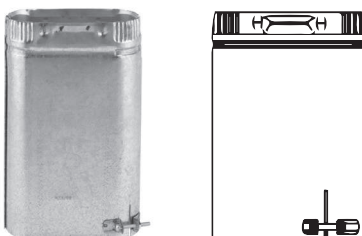
- Type B
- Type B-2x4

6" Oval:

- Type B-2x6

| SIZE | LENGTH | ORDER # | STOCK # | A | B |
|------|--------|---------|-----------|---------|--------|
| 4" | 6" | 4BV006 | 810018412 | 7 1/16" | 2 7/8" |
| 4" | 12" | 4BV012 | 810018413 | 7 1/16" | 2 7/8" |
| 4" | 18" | 4BV018 | 810018414 | 7 1/16" | 2 7/8" |
| 4" | 24" | 4BV024 | 810018415 | 7 1/16" | 2 7/8" |
| 4" | 36" | 4BV036 | 810018416 | 7 1/16" | 2 7/8" |
| 4" | 48" | 4BV048 | 810018417 | 7 1/16" | 2 7/8" |
| 4" | 60" | 4BV060 | 810018418 | 7 1/16" | 2 7/8" |
| 5" | 6" | 5BV006 | 810018435 | 10 3/4" | 2 7/8" |
| 5" | 12" | 5BV012 | 810018436 | 10 3/4" | 2 7/8" |
| 5" | 18" | 5BV018 | 810018437 | 10 3/4" | 2 7/8" |
| 5" | 24" | 5BV024 | 810018438 | 10 3/4" | 2 7/8" |
| 5" | 36" | 5BV036 | 810018439 | 10 3/4" | 2 7/8" |
| 5" | 48" | 5BV048 | 810018440 | 10 3/4" | 2 7/8" |
| 5" | 60" | 5BV060 | 810018441 | 10 3/4" | 2 7/8" |
| 6" | 6" | 6BV006 | 810018452 | 11 1/2" | 3 1/4" |
| 6" | 12" | 6BV012 | 810018453 | 11 1/2" | 3 1/4" |
| 6" | 18" | 6BV018 | 810018454 | 11 1/2" | 3 1/4" |
| 6" | 24" | 6BV024 | 810018455 | 11 1/2" | 3 1/4" |
| 6" | 36" | 6BV036 | 810018456 | 11 1/2" | 3 1/4" |

Oval Adjustable Pipe
USA only



- The adjustable length overlaps the standard pipe section to permit adjustments from 3" to 10".

| SIZE | LENGTH | ORDER # | STOCK # |
|------|--------|---------|-----------|
| 4" | 12" | 4BV012A | 810018419 |
| 5" | 12" | 5BV012A | 810018442 |
| 6" | 12" | 6BV012A | 810018457 |

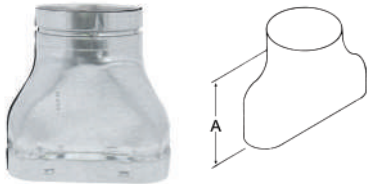
Round-To-Oval Adapter USA only



- The round-to-oval adapter is used for conversion of vent from round to oval.

| SIZE | ORDER # | STOCK # | A |
|------|---------|-----------|---------|
| 4" | 4BVOARO | 810018421 | 6 7/8" |
| 5" | 5BVOARO | 810018443 | 9 3/8" |
| 6" | 6BVOARO | 810018458 | 10 3/4" |

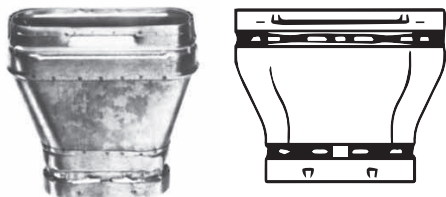
Oval-To-Round Adapter USA only



- The oval-to-round adapter is used for conversion of vent from oval to round.

| SIZE | ORDER # | STOCK # | A |
|------|---------|-----------|---------|
| 4" | 4BVOAOR | 810018422 | 6 7/8" |
| 5" | 5BVOAOR | 810018444 | 9 3/8" |
| 6" | 6BVOAOR | 810018459 | 10 3/4" |

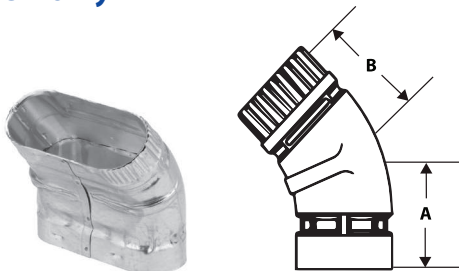
4" Oval Increaser to 5" USA only



- Increases size of vent from 4" oval to 5" oval

| SIZE | ORDER # | STOCK # |
|------|---------|-----------|
| 4" | 4BVOX5 | 810018420 |

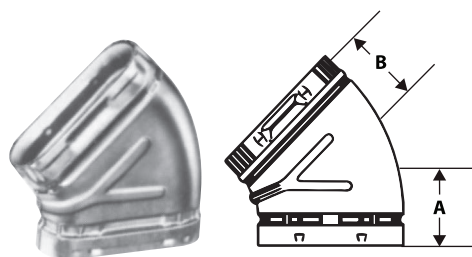
Oval 45° Elbow - Standard USA only



- The standard 45° elbow is used in pairs where offsets are desired in 1" minimum clearance enclosures or open spaces, such as attics or basements.
- Add pipe sections between pairs to produce additional offset.

| SIZE | ORDER # | STOCK # | A | B |
|------|---------|-----------|--------|--------|
| 4" | 4BVOL45 | 810018423 | 3" | 3" |
| 5" | 5BVOL45 | 810018445 | 3 1/2" | 3 1/2" |
| 6" | 6BVOL45 | 810018460 | 4" | 4" |

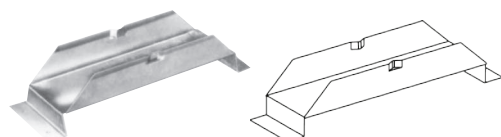
Oval 45° Elbow - Flat USA only



- The flat 45° elbow is used in pairs where offsets are desired in 1" minimum clearance enclosures or open spaces, such as attics or basements.
- Add pipe sections between pairs to produce additional offset.

| SIZE | ORDER # | STOCK # | A | B |
|------|----------|-----------|------|------|
| 4" | 4BVOL45F | 810018424 | 3 ¾" | 3 ¾" |
| 5" | 5BVOL45F | 810018446 | 4 ¾" | 4 ¾" |
| 6" | 6BVOL45F | 810018461 | 5" | 5" |

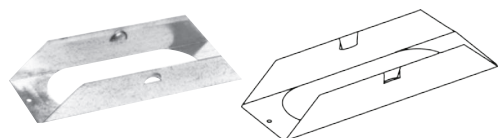
Oval Tee Support - Plain USA only



- The tee support is used to support and center the tee.

| SIZE | ORDER # | STOCK # |
|------|---------|-----------|
| 4" | 4BVOTS | 810018425 |
| 5" | 5BVOTS | 810018447 |
| 6" | 6BVOTS | 810018462 |

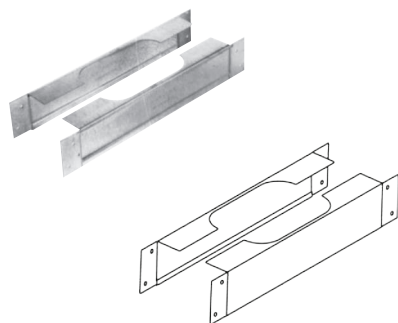
Oval Base Plate USA only



- The Type BW hold-down plate is required for connecting Type BW vent to a wall furnace outlet.

| SIZE | ORDER # | STOCK # |
|------|---------|-----------|
| 4" | 4BVOBP | 810018428 |

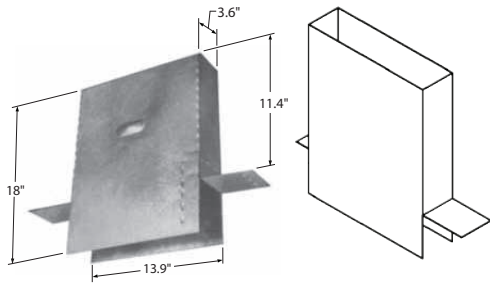
Oval Firestop Spacer USA only



- The firestop spacers center vent in 16" O.C. stud space and serve as a firestop at the ceiling level. This is a required component for Type B 2 x 4 and multi-story Type BW installations.

| SIZE | ORDER # | STOCK # | WALL |
|------|-----------|-----------|---------|
| 4" | 4BVOFS | 810018426 | 2" x 4" |
| 4" | 4BVOFS2X6 | 810018427 | 2" x 6" |
| 5" | 5BVOFS | 810018448 | 2" x 4" |
| 5" | 5BVOF2X6 | 810018449 | 2" x 6" |
| 6" | 6BVOFS | 810018463 | 2" x 6" |

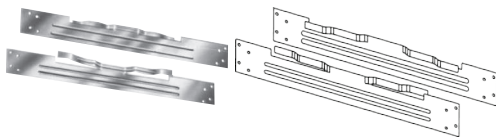
Oval Attic Insulation Shield USA only



- The Type BW attic shield is used on a single-story AVS building or on the top story of a multi-story building for Type BW gas vent.
- A 26-gauge galvanized sleeve should extend from the top of the ceiling plate into the attic.
- A Type BW attic shield is required by Los Angeles Code and UMC.

| SIZE | ORDER # | STOCK # |
|------|---------|-----------|
| 4" | 4BVOIS | 810018434 |

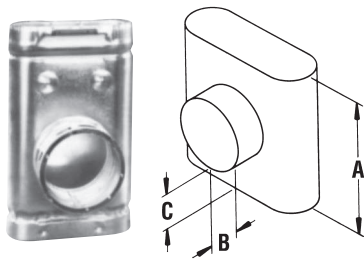
Oval Ceiling Plate Spacer USA only



- Type BW plate spacers are required at the first ceiling level above a wall furnace to center and space vent properly and to provide the required opening between floors. Firestop spacers must be used at subsequent levels.

| SIZE | ORDER # | STOCK # |
|------|---------|-----------|
| 4" | 4BVOCS | 810018429 |

Oval Standard Tee USA only



- The branch size and trunk size have the same diameter. The tee branch accepts either double- or single-wall pipe.

| SIZE | ORDER # | STOCK # | A | B | C |
|------|---------|-----------|-----|---------|--------|
| 4" | 4BVOT | 810018430 | 12" | 2 9/16" | 2 3/8" |
| 5" | 5BVOT | 810018450 | 12" | 2 9/16" | 2 3/8" |
| 6" | 6BVOT | 810018464 | 12" | 2 5/8" | 2 3/4" |

Oval Tee Cap USA only



- The tee cap is used for closing off the bottom of the tee.

| SIZE | ORDER # | STOCK # |
|------|---------|-----------|
| 4" | 4BVOTC | 810018431 |
| 5" | 5BVOTC | 810018451 |
| 6" | 6BVOTC | 810018465 |

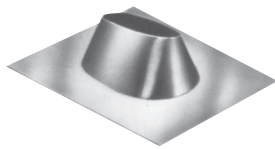
Oval Storm Collar
USA only



- Use to maintain a weather tight seal between the pipe and the flashing.
- Requires mastic to seal to the vent pipe.

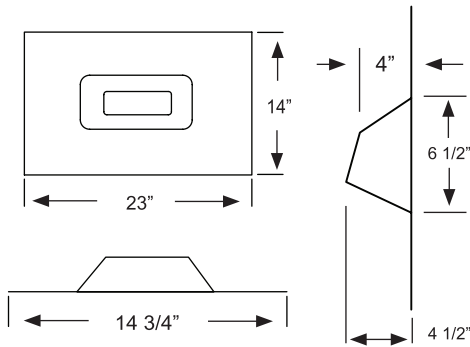
| SIZE | ORDER # | STOCK # |
|------|---------|-----------|
| 4" | 4BVOSC | 810018432 |

Oval Adjustable Roof Flashing
Flat to 5/12 USA only



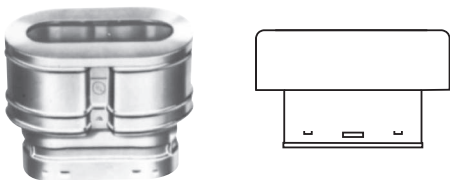
- The flashing is installed either parallel or perpendicular to the roof ridge, and fits roof pitches flat to 5/12.

| SIZE | ORDER # | STOCK # |
|------|---------|-----------|
| 4" | 4BVOF | 810017879 |



Oval Top
USA only

NOTE: For 5" and 6" Tops, use Oval to Round Adapters in conjunction with standard BV Round Tops.



| SIZE | ORDER # | STOCK # |
|------|---------|-----------|
| 4" | 4BVOVT | 810018433 |

DuraConnect Type B Gas Vent

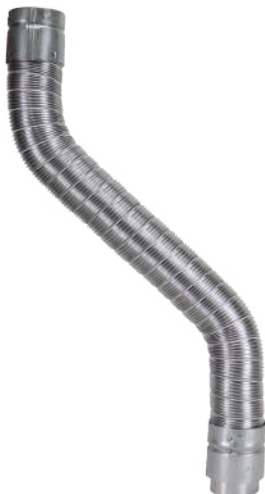
DuraConnect II Double-Wall Flex Connector



- Use as a connector system to replace rigid gas vent with a flexible section. DuraConnect II can be used when Type B gas vent double-wall connector is required.
- Not to be enclosed and cannot penetrate through walls, floors, or ceilings.

| SIZE | LENGTH | ORDER # | STOCK # |
|------|--------|---------|-----------|
| 3" | 24" | 3BV24DW | 810018466 |
| 3" | 36" | 3BV36DW | 810018467 |
| 3" | 48" | 3BV48DW | 810018468 |
| 3" | 60" | 3BV60DW | 810018469 |
| 4" | 24" | 4BV24DW | 810018470 |
| 4" | 36" | 4BV36DW | 810018471 |
| 4" | 48" | 4BV48DW | 810018472 |
| 4" | 60" | 4BV60DW | 810018473 |
| 5" | 24" | 5BV24DW | 810018474 |
| 5" | 36" | 5BV36DW | 810018475 |
| 5" | 48" | 5BV48DW | 810018476 |
| 5" | 60" | 5BV60DW | 810018477 |

DuraConnect I Single-Wall Expandable Flexible Gas Vent Connector



- The DuraVent DuraConnect I Expandable Flexible Gas Vent Connector is designed for use with gas-fired appliances equipped with draft hoods and other appliances listed for use with Type B Gas Vent.
- This DuraConnect I Expandable Flexible Gas Vent Connector system eliminates the need for elbows and greatly simplifies most gas appliance vent installations.
- The DuraConnect I is available in 3" & 4" diameters and can expand from 2 feet to 3 1/2 feet or 2 1/2 feet to 5 feet. Ask your sales associate for details.

| SIZE | ORDER # | STOCK # |
|----------------|---------|-----------|
| 3" (2' - 3.5') | 3BV3EFC | 810017759 |
| 3" (2.5' - 5') | 3BV5EFC | 810017760 |
| 4" (2' - 3.5') | 4BV3EFC | 810017838 |
| 4" (2.5' - 5') | 4BV5EFC | 810017839 |

Universal B Vent to Aluminum Flex Adapter



Use to connect DuraFlex AL flex to any brand of B-vent.

| SIZE | ORDER # | STOCK # | SIZE | ORDER # | STOCK # |
|------|-----------|-----------|------|-----------|-----------|
| 3" | 3DFA-ADBV | 810007024 | 6" | 6DFA-ADBV | 810007027 |
| 4" | 4DFA-ADBV | 810007025 | 7" | 7DFA-ADBV | 810007028 |
| 5" | 5DFA-ADBV | 810007026 | 8" | 8DFA-ADBV | 810007029 |

Submittal Specification (USA ONLY)

SUBMITTAL SPECIFICATIONS FOR FACTORY-BUILT TYPE B GAS VENT (USA ONLY)

- TYPE: Factory-built double-wall gas vent
- APPLICATION: For venting negative pressure gas-burning appliances certified for use with Type B Gas Vent as described in NFPA 211, NFPA 54 and/or the International Fuel Gas Code.
- SIZES: 3" diameter through 8" diameter (nominal inside diameter)

| Size (I.D.) | Component | Thickness | Component | Thickness |
|-------------|------------------|-----------|------------|-----------|
| 3"- 8" | Inner Liner | .012" | Outer Wall | .018" |
| 4" | Oval Inner Liner | .012" | Outer Wall | .018" |
| 5"-6" | Oval Inner Liner | .016" | Outer Wall | .018" |

- INSULATION: Airspace between inner and outer pipe.
- UNDERWRITERS LABORATORIES, INC. LISTED: Per UL Standard UL441(Latest Edition).
- FUEL TYPE: For use with Natural Gas, Propane or L.P. Gas Only

| Inside Dimension | Outside Dimension | Clearance |
|--------------------------------------|-----------------------|-----------|
| 3" through 8" (Round, 1" increments) | Inside Diameter + ½" | 1" |
| 4" Oval (2" x 6 ¾") * | Inside Dimension + ½" | 1" ** |
| 5" Oval (2" x 10 ¼") * | Inside Dimension + ½" | 1" ** |
| 6" Oval (2 13/16" x 11 1/8") * | Inside Dimension + ½" | 1" ** |

*Given measurements are the major oval dimensions. 4" & 5" Oval vent can be installed within 2" x 4" stud walls; 5" & 6" Oval can be installed within 2" x 6" stud walls.

** Proper clearance in a stud wall is the distance created by centering the vent within the stud wall and will be less than one inch. The size referenced for oval vent corresponds to the diameter of a round vent of equivalent area.

Material
 Inner Liner of Aluminum Alloy 1100, 3003, 3104, 3105 or 5010
 Outer Wall of UL Recognized G90 Galvanized Steel

Job Name: _____
 Location: _____
 Architect: _____
 Engineer: _____
 Contractor: _____

Submitted By: _____ Date: _____

DuraVent Type B Gas Vent Specification

Model BV: 3" – 8" diameter round vent
 Model BVO: 4" – 6" equivalent diameter oval vent



DuraVent Limited Lifetime Warranty

DuraVent, Inc. ("DuraVent") provides this limited lifetime warranty for all of its products with the exception of Ventinox® (lifetime), and PolyPro® (ten years). Subject to the limitations set forth below, DuraVent warrants that its products will be free from defects in material or manufacturing, if properly installed, maintained and used. DuraVent products are fully warranted if installed only by a professional installer. This Warranty is transferrable from the original homeowner to the buyer of the home. This warranty does not cover normal wear and tear, smoke damage or damage caused by chimney fires, acts of God, or any product that was: (1) purchased other than from an authorized DuraVent dealer, retailer or distributor; (2) modified or altered; (3) improperly serviced, inspected or cleaned; or (4) subject to negligence or any use not in accordance with the installation instructions included with the product as determined by DuraVent. Installation instructions are available online at www.duravent.com under Support/Literature and through our Customer Service Department 800-835-4429 or customerservice@duravent.com. This limited lifetime warranty applies only to parts manufactured by DuraVent.

DuraVent provides the following warranties for its products: One Hundred Percent (100%) MSRP 15 years from the date of purchase, and Fifty Percent (50%) thereafter, except for the following limitations on: all Termination Caps and DuraBlack® are warranted at One Hundred Percent (100%) for five years.

All warranty obligations of DuraVent shall be limited to repair or replacement of the defective product pursuant to the terms and conditions applicable to each product line. These remedies shall constitute DuraVent's sole obligation and sole remedy under this warranty. This warranty provides no cash surrender value. The terms and conditions of this warranty may not be modified, altered or waived by any action, inaction or representation, whether oral or in writing, except upon the express, written authority of an executive officer of DuraVent.

Corn, bio-fuels, driftwood or other wood containing salt, preservative-treated lumber, plastic and household trash or garbage, or wood pellets containing such materials must not be burned in the appliance or fireplace. In case of a chimney fire, the chimney must be inspected and approved by a certified Chimney Sweep before reuse. After each annual inspection, maintenance, and cleaning, the certified Chimney Sweep must fill out and date the appropriate section of the warranty card provided with the chimney liner.

LIMITATIONS ON INTERNET SALES: Notwithstanding any other terms or conditions of this Limited Lifetime Warranty, DuraVent provides no warranty for the following specific products if such products are not installed by a qualified professional installer: DuraTech®, DuraTech® DTC, DuraPlus HTC®, DuraTech® Premium, DuraChimney® II, DuraPlus Canada 2, PelletVent Pro®, DirectVent Pro®,

FasNSeal®, FasNSeal® W2, FasNSeal® Flex, and PolyPro®, and DuraVent's relining products including DuraLiner®, DuraFlex® (SW, Pro, 316, 304), and Ventinox®. For purposes of this warranty, a trained professional installer is defined as one of the following: licensed contractors with prior chimney installation experience, CSIA Certified Chimney Sweeps, NFI Certified Specialists, or WETT Certified Professionals.

DuraVent must be notified and given the opportunity to inspect defective product prior to replacement under the terms of this limited lifetime warranty. All warranty claims must be submitted with proof of purchase. Labor and installation costs are not covered under this warranty. To obtain warranty service contact: DuraVent Warranty Service, 877 Cotting Ct., Vacaville CA 95688, or call 800-835-4429.

WHERE LAWFUL, DURAVENT DISCLAIMS ALL OTHER WARRANTIES, INCLUDING BUT NOT LIMITED TO IMPLIED WARRANTIES OF MERCHANTABILITY AND FITNESS FOR A PARTICULAR PURPOSE. IN NO EVENT WILL DURAVENT BE LIABLE FOR INCIDENTAL, CONSEQUENTIAL, PUNITIVE OR SPECIAL DAMAGES OR DIRECT OR INDIRECT LOSS OF ANY KIND, INCLUDING BUT NOT LIMITED TO PROPERTY DAMAGE AND PERSONAL INJURY. DURAVENT'S ENTIRE LIABILITY IS LIMITED TO THE PURCHASE PRICE OF THIS PRODUCT. SOME STATES DO NOT ALLOW LIMITATIONS ON IMPLIED WARRANTIES, OR THE EXCLUSION OR LIMITATION OF INCIDENTAL OR CONSEQUENTIAL DAMAGES, SO THE ABOVE LIMITATIONS AND EXCLUSIONS MAY NOT APPLY TO YOU. THIS LIMITED WARRANTY GIVES YOU SPECIFIC LEGAL RIGHTS, AND YOU MAY ALSO HAVE OTHER RIGHTS THAT VARY FROM STATE TO STATE.

For the most up-to-date installation instructions, see www.duravent.com

REV 05.03.18



DuraVent[®]

www.duravent.com | 800-835-4429



Model BV Gas Vent_Catalog_06-2022