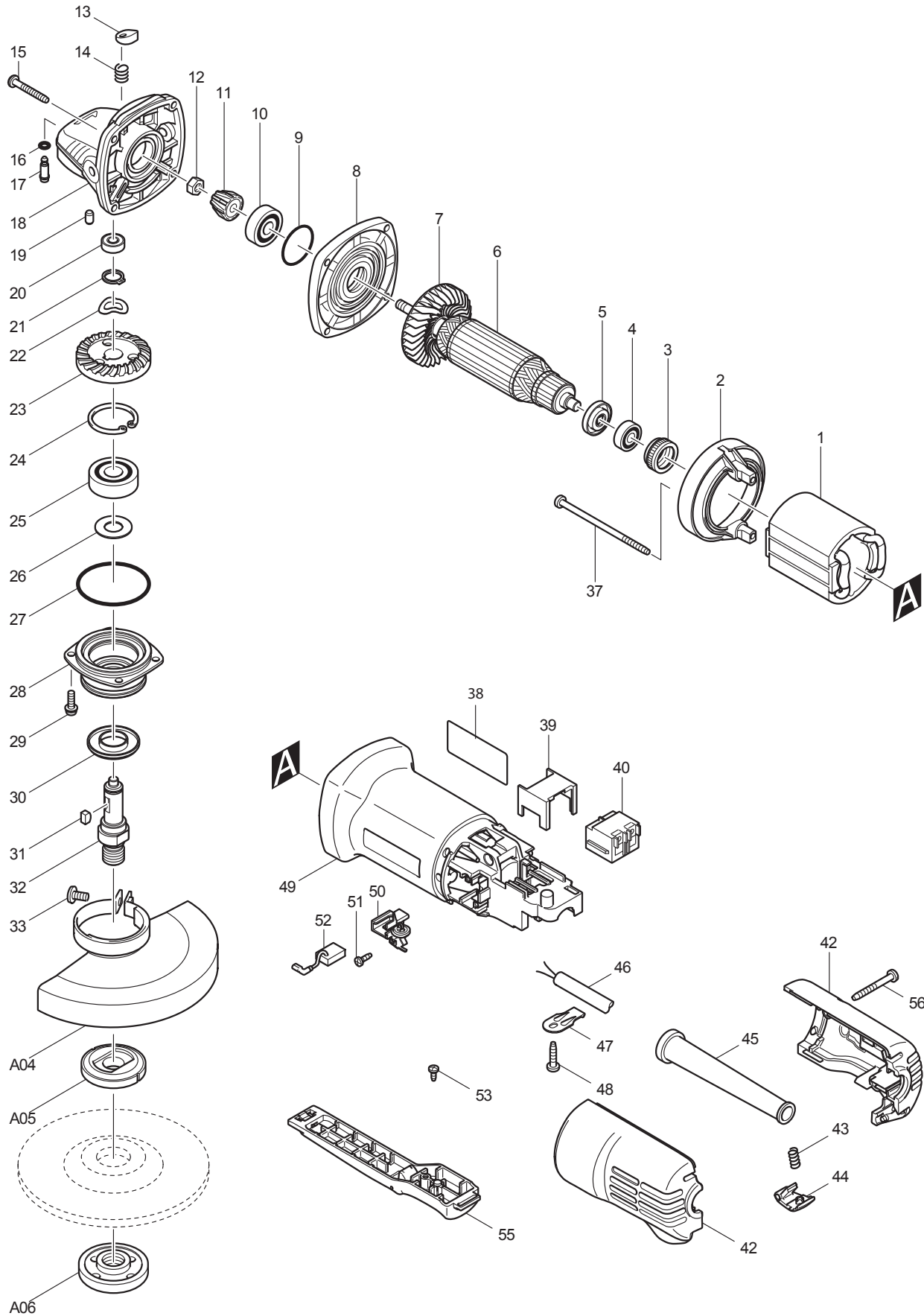




09 - 2010
9558PB
5" DISC GRINDER



Item No	Type	Ref	Part No	Description	Qty	Unit
001			621706-3	FIELD	1	PC.
002	2		457791-8	BAFFLE PLATE	1	PC.
003	1		421868-5	LABYRINTH RUBBER RING 19	1	PC.
	2		422768-2	LABYRINTH RUBBER RING 19	1	PC.
004			210034-7	BALL BEARING 607LLB	1	PC.
005			681636-0	INSULATION WASHER	1	PC.
006			515611-3	ARMATURE ASSY 115V (INCLUDES ITEMS 4, 5 & 7)	1	PC.
007			240076-7	FAN 56	1	PC.
008			317821-6	GEAR HOUSING COVER	1	PC.
009			213445-5	O-RING 26	1	PC.
010			210042-8	BALL BEARING 629LLB	1	PC.
011	1		227464-5	* SPIRAL BEVEL GEAR 10 (MACHINED)	1	PC.
	2		227541-3	* SPIRAL BEVEL GEAR 10 (MACHINED)	1	PC.
012			252186-8	HEX. NUT M6	1	PC.
013			417771-6	PIN CAP	1	PC.
014			233376-2	COMPRESSION SPRING 8	1	PC.
015			266361-0	TAPPING SCREW 4X30	4	PC.
016			213960-9	O RING 5	1	PC.
017			256486-8	SHOULDER PIN 4	1	PC.
018	2		318051-2	GEAR HOUSING	1	PC.
019			263002-9	RUBBER PIN 4	1	PC.
020			210033-9	BALL BEARING 696ZZ	1	PC.
021			961052-5	RETAINING RING S-12	1	PC.
022			267794-2	WAVE WASHER 12	1	PC.
023	1		227505-7	* SPIRAL BEVEL GEAR 37 (SINTERING)	1	PC.
	2		227542-1	* SPIRAL BEVEL GEAR 37 (MACHINED)	1	PC.
024			962151-6	RETAINING RING R-32	1	PC.
025			211129-9	BALL BEARING 6201DDW	1	PC.
026			267238-2	FLAT WASHER 12	1	PC.
027			213622-9	O RING 45	1	PC.
028	1		317819-3	* BEARING BOX	1	PC.
	2		318331-6	* BEARING BOX	1	PC.
029			265099-4	PAN HEAD SCREW M4X14	4	PC.
030			345464-4	LABYRINTH RING	1	PC.
031			254011-9	WOODRUFF KEY 4	1	PC.
032			324474-4	SPINDLE	1	PC.
033	1		265103-9	* PAN HEAD SCREW M5X14	1	PC.
	2		251391-4	* PAN HEAD SCREW M5X16	1	PC.
	3		265180-1	* PAN HEAD SCREW M5X16	1	PC.
037			266345-8	TAPPING SCREW 4X80	2	PC.
038			861318-2	NAME PLATE F/9558PB	1	PC.
039			418729-8	SPACER	1	PC.
040	2		650579-7	SWITCH 1246.3223, SINGLE, BROWN	1	PC.
042	1		183943-2	REAR COVER SET	1	SET
	2		183U00-2	REAR COVER SET	1	SET
043			231252-4	COMPRESSION SPRING 6	1	PC.
044			418842-2	LOCK ON BUTTON	1	PC.
045			682559-5	CORD GUARD 8	1	PC.
046			664891-9	CORD WITH PLUG 2P-18-2.5M SJ	1	PC.
047			687169-3	STRAIN RELIEF	1	PC.
048			266326-2	TAPPING SCREW 4X18	1	PC.
049			418838-3	MOTOR HOUSING	1	PC.
050			643760-7	BRUSH HOLDER	2	PC.
051			266007-8	TAPPING SCREW BIND PT 3X10	4	PC.
052	2		195001-2	CARBON BRUSH CB-325 2PC/SET (W/ ORIGIN)	1	SET
053	2		266492-5	TAPPING SCREW 3X8	1	PC.
055			154583-3	SWITCH LEVER A COMPLETE	1	PC.

Item No	Type	Ref	Part No	Description	Qty	Unit
056			266351-3	TAPPING SCREW 4X35	2	PC.
100			652044-2	+ BIND SCREW M3.5 X 5.0 (F/SWITCH)	2	PC.
101			654573-1	SPLICE (F/CORD - SWITCH)	2	PC.
<u>ACCESSORIES</u>						
- See catalogue or visit www.makita.ca for more accessories information -						
A01			153489-2	GRIP 36 COMPLETE (Resin Grip)	1	PC.
	Opt.		194514-0	VIBRATION PROOF GRIP F/4" - 6", PKG	1	PC.
A02	2		782424-9	LOCK NUT WRENCH 28	1	PC.
A03	2		A-95962-25	5" D.C.G.W WA36N 25/PK	1	SET
	Opt.		D-20797	5" ABRASIVE DEPRESSED CENTRE WHEEL A24R	1	PC.
A04	2		125889-6	* WHEEL COVER ASSY (INC. ITEM NO. 33) F/5" D.C.W	1	PC.
	3		123099-9	* WHEEL COVER ASSY (INC. ITEM NO. 33) F/5" D.C.W	1	PC.
		INC.	213009-5	* O RING 4 (Added)	1	PC.
A05			224399-1	INNER FLANGE 45	1	PC.
A06			224568-4	LOCK NUT 5/8-45	1	PC.
A07			743015-1	RUBBER PAD F/5"	1	PC.
A08	2		193048-0	SANDING LOCK NUT 5/8-48	1	PC.
A10	Opt.1		824736-5	PLASTIC CARRYING CASE	1	PC.
		INC.	182935-8	SLIDE LATCH R&L SET	1	SET
	Opt.2		182875-0	STEEL CARRYING CASE	1	PC.
A11	1		122641-3	CUT-OFF WHEEL GUARD F/5"	1	PC.
	2		122911-0	* CUT-OFF WHEEL GUARD F/5"	1	PC.

SERVICE CHANGES

1. Changes on Wheel Cover Assembly

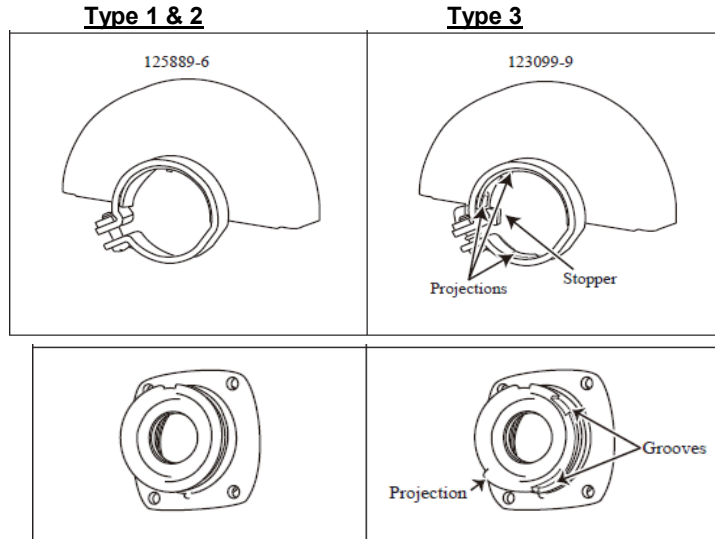
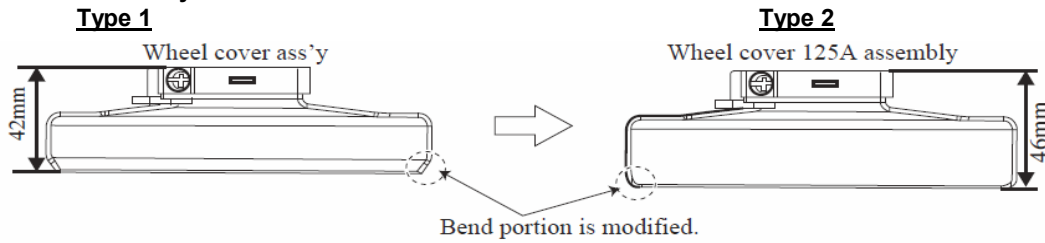
(TI#A4621)

(TI#B2426)

Item No.	Description	Type 1	Type 2	Type 3
28	Bearing Box	317819-3		318331-6
33	Pan Head Screw M5X14 > M5X16	265103-9	251391-4	265180-1
A04	Wheel Cover Ass'y	125268-8	125889-6	123099-9
	INC. O ring 4	-----		213009-5
A11 Opt.	Cut-Off Wheel Guard F/5"	122641-3		122911-0

Type 2 > Type 3 all parts above are interchangeable as a set
 Item no.33 is a componet of A04

Wheel Cover Ass'y



2. Changes on Wheel Cover Assembly

Item No.	Description	Type 1 (SINTERING)	Type 2 (MACHINED)
11	Spiral Bevel Gear 10	227464-5	227541-3
23	Spiral Bevel Gear 37	227505-7	227542-1

Above parts are interchangeable as a set