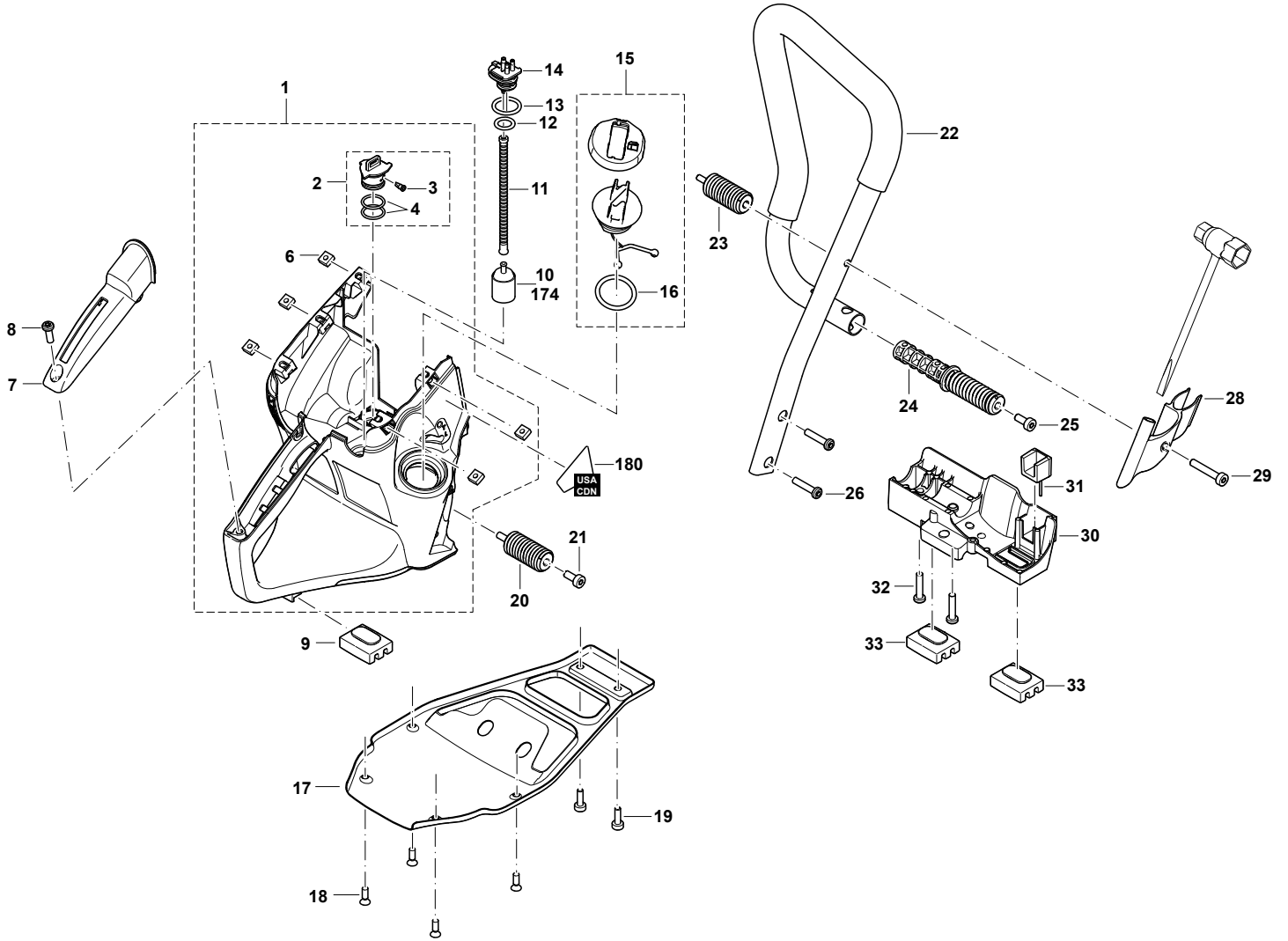


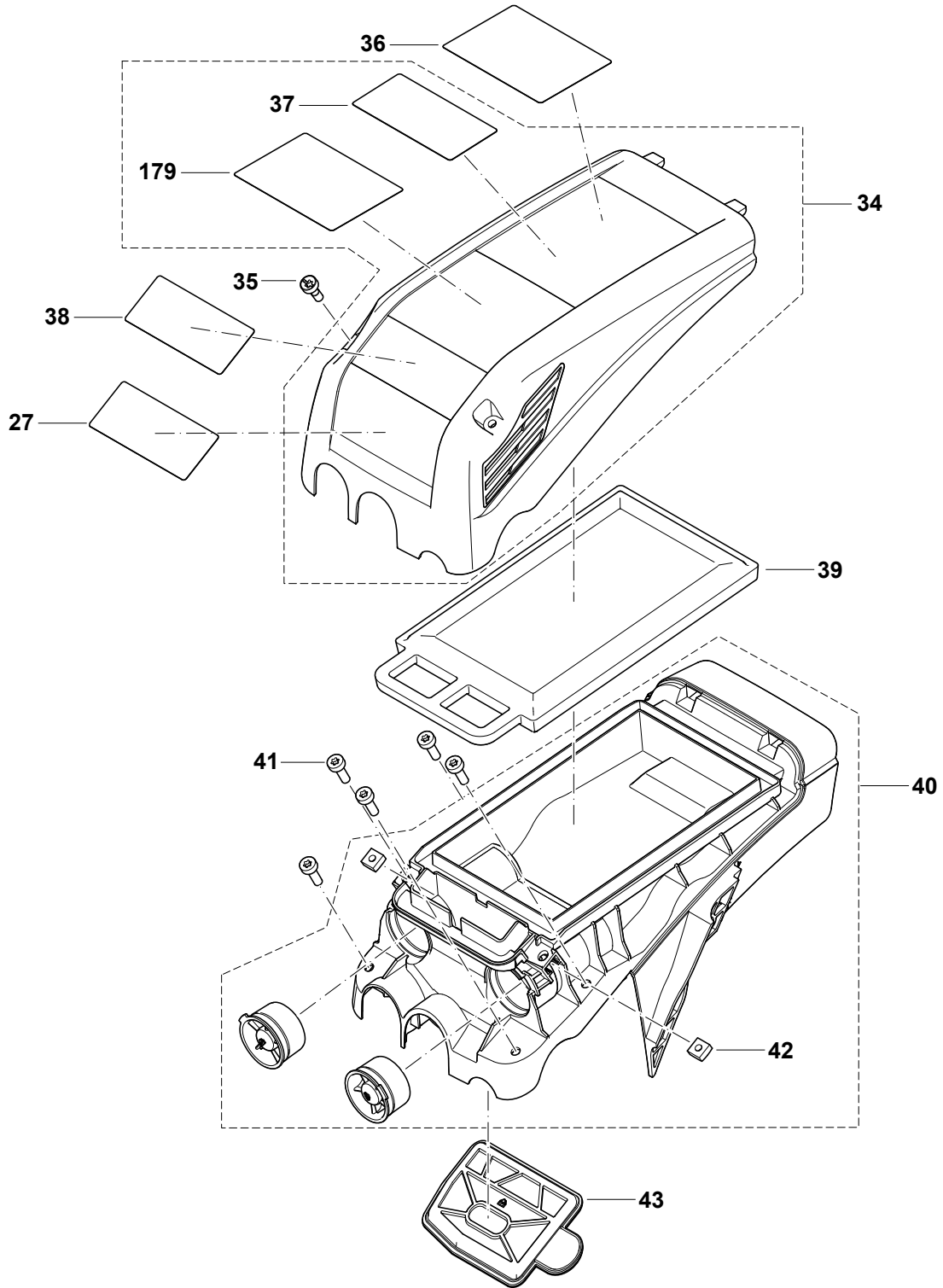


**EK6101**



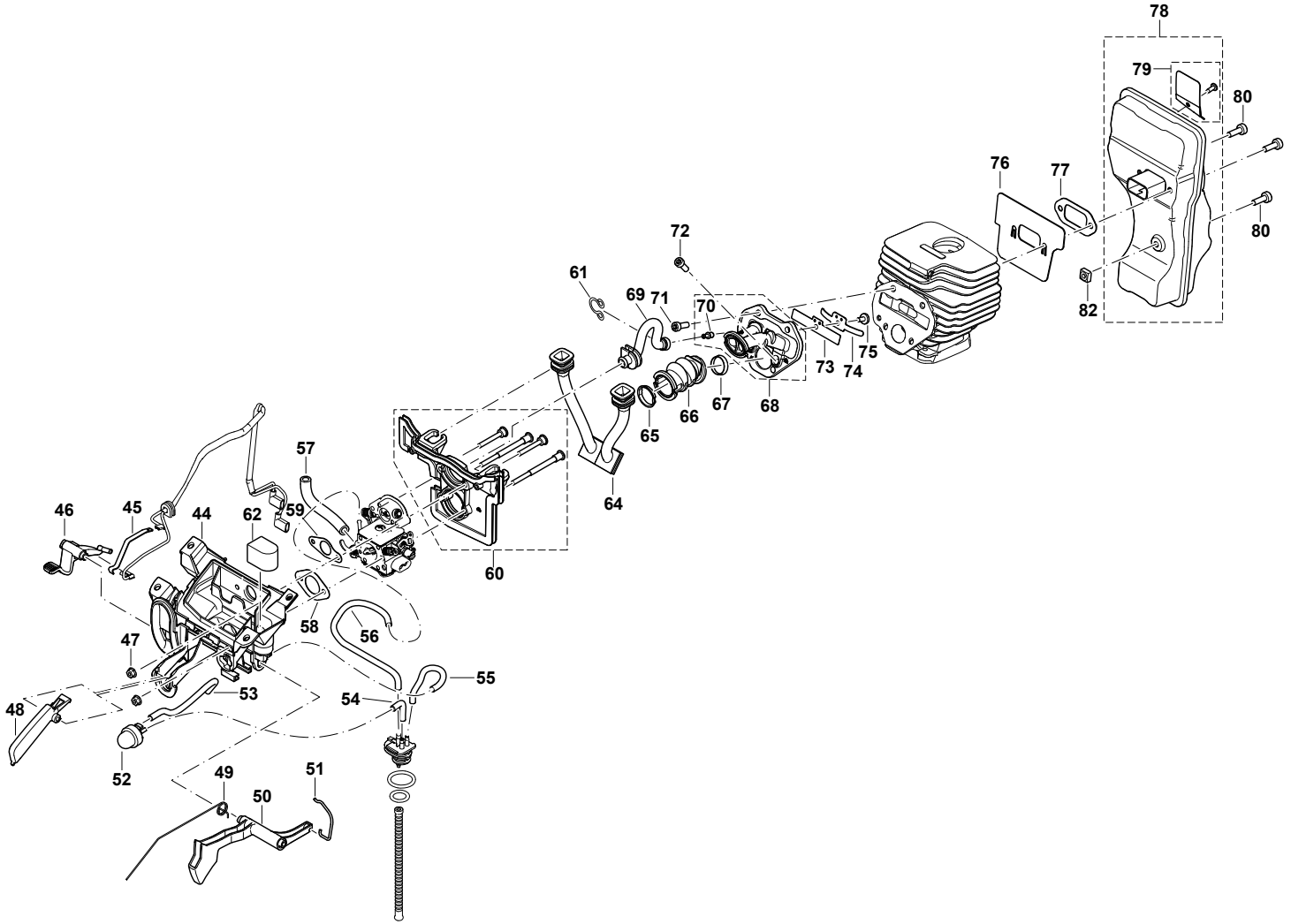
Products with multiple versions are listed in subsiding order with the newest version on top not indented.

Section	Fig. No.	Part No.	Description	Denominación	EK6101	Tech Bulletin	Notes
1	1	315-114-640	FUEL TANK CPL. BLUE	DEPÓSITO CPL. AZUL	1		
1	1	315-114-601	FUEL TANK CPL. BLUE	DEPÓSITO CPL. AZUL	1		
1	2	315-175-061	VALVE COVER CPL.	TAPA VÁLVULA CPL.	1		
1	3	010-175-021	VALVE	VÁLVULA VENTILACION CPL.	1		
1	4	963-217-020	O-RING	ANILLO DE GUARNICIÓN	2		17X2 FKM
1	6	038-111-060	SQUARE NUT	TUERCA CUADR.	5		M5, SW10
1	7	315-117-050	GRIP OUTER SHELL	CUBIERTA SUPER. EMPUÑADURA	1		
1	8	913-455-164	SCREW	TORNILLO	1		5,5X16
1	9	315-114-060	RUBBER FOOT	PIE DE GOMA	1		
1	10	010-114-010	SUCTION HEAD	CABEZA DE ASPIRACIÓN	1		
1	11	315-114-140	FUEL LINE	CONDUCTO COMBUSTIBLE	1		
1	12	963-213-030	O-RING	ANILLO DE GUARNICIÓN	1		13X3
1	13	963-221-030	O-RING	ANILLO DE GUARNICIÓN	1		21X3
1	14	315-114-150	NIPPLE	RACOR	1		
1	15	315-114-350	TANK CAP ASSEMBLY	TORNILLO DE CIERRE CPL.	1		
1	16	963-229-036	PACKING RING	ANILLO DE GUARNICION	1		29,3X3,6
1	17	315-114-110	BASE SHIELD	CHAPA	1		
1	18	913-850-155	SCREW	TORNILLO	4		5X15
1	19	908-005-125	SCREW	TORNILLO	2		M5X12
1	20	315-114-220	DAMPING SPRING, CPL.	MUELLE DE AMORTIGUACIÓN CPL.	2		
1	21	908-006-145	SCREW	TORNILLO	2		M6X14
1	22	315-310-110	TUBULAR HANDLE ASSY.	MANGO TUBULAR CPL.	1		
1	23	315-114-200	DAMPING SPRING, CPL.	MUELLE DE AMORTIGUACIÓN CPL.	1		
1	24	315-114-300	DAMPING SPRING, CPL.	MUELLE DE AMORTIGUACIÓN CPL.	1		
1	25	908-006-145	SCREW	TORNILLO	1		M6X14
1	26	913-455-204	SCREW	TORNILLO	2		5,5X20
1	28	315-310-020	CLAMP HANDLE	ABRAZADERA	1		
1	29	908-006-355	SCREW	TORNILLO	1		M6X35
1	30	315-114-121	STAND SUPPORT	PIE	1		
1	31	315-114-090	DAMPER	AMORTIGUADOR	1		
1	32	913-455-204	SCREW	TORNILLO	2		5,5X20
1	33	315-114-060	RUBBER FOOT	PIE DE GOMA	2		
1	174	963-601-240	FELT	FIELTRO	1		



Products with multiple versions are listed in subsiding order with the newest version on top not indented.

Section	Fig. No.	Part No.	Description	Denominación	EK6101	Tech Bulletin	Notes
2	27	980-115-809	LABEL	CALCOMANIA	1		US WARNING SPARKS
2	34	315-118-050	FILTER COVER ASSY.	CUBIERTA PARA FILTRE CPL.	1		
2	35	908-605-145	SCREW	TORNILLO	2		M5X14
2	36	980-115-644	LABEL, SAFETY INSTRUCTIONS	ETIQUETA, SEGURIDAD	1		USA
2	37	980-115-645	LABEL, WARNING SYMBOLS	PLACA SÍMBOLOS DE ADVERTENCIA	1		
2	38	980-114-999	LABEL	CALCOMANIA	1		2-TAKT MIX
2	39	315-173-010	AIR FILTER INSERT	FILTRO DE AIRE	1		
2	40	315-118-640	HOOD CPL.	TAPA PROTECTORA CPL.	1		MAKITA
2	41	908-005-165	H.L. SOCKET HEAD BOLT	TORNILLO	5		M5X16
2	42	038-111-060	SQUARE NUT	TUERCA CUADR.	2		M5, SW10
2	43	315-173-020	INNER FILTER	FILTRO DE AIRE INTERIOR	1		
2	179	980-115-855	LABEL, START PROCEDURE	CALCOMANÍA, INDICACIONES DE MANEJO	1		

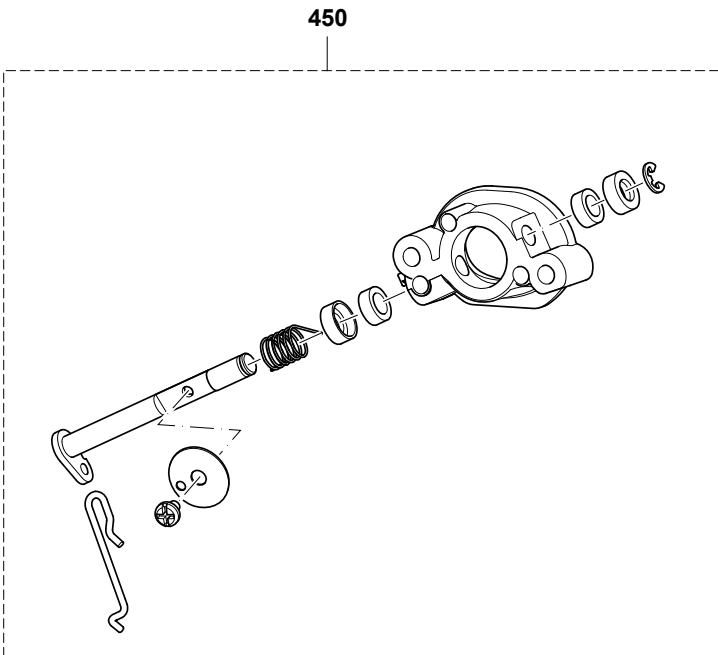
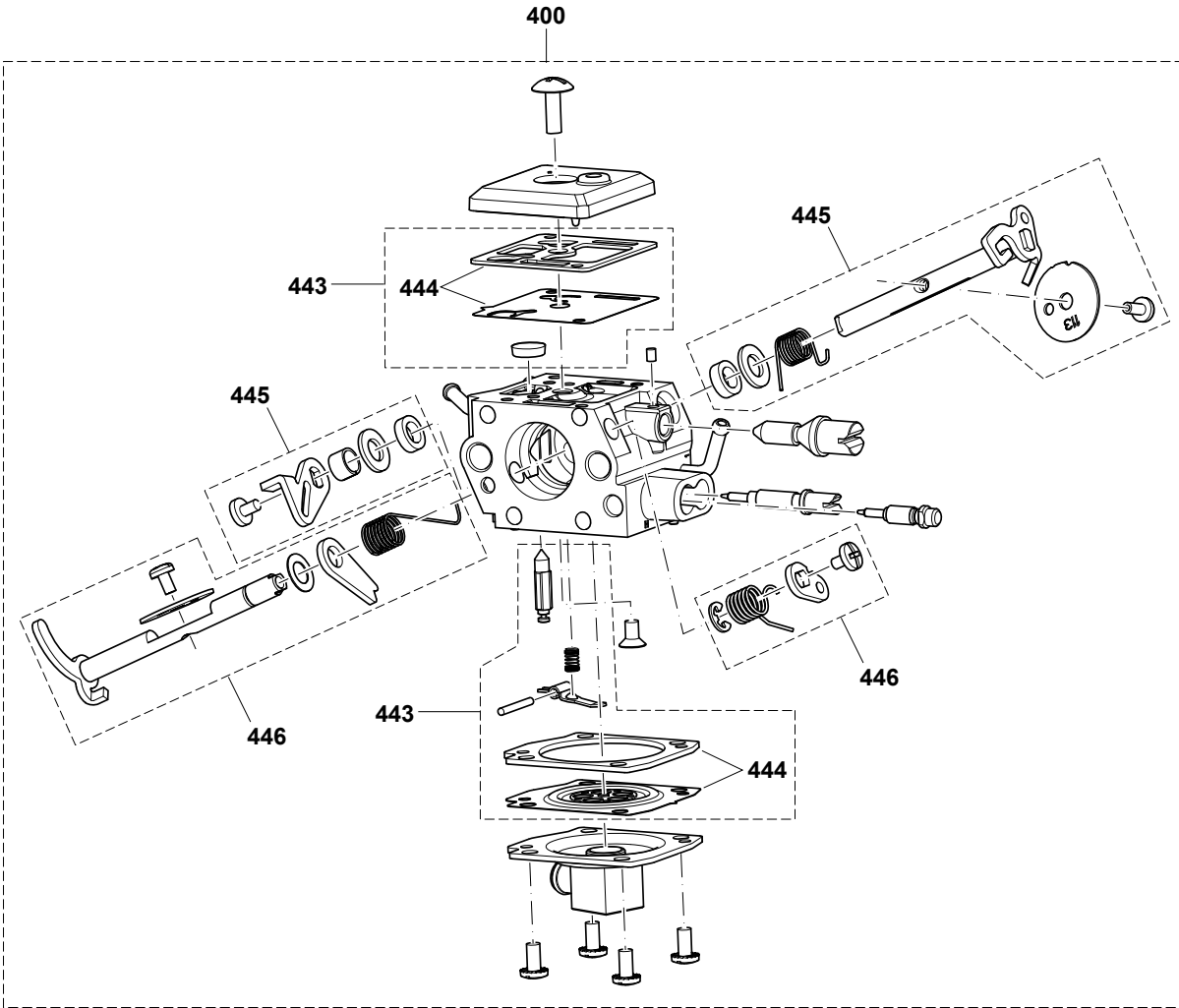


Products with multiple versions are listed in subsiding order with the newest version on top not indented.

Section	Fig. No.	Part No.	Description	Denominación	EK6101	Tech Bulletin	Notes
3	44	315-171-010	INTAKE MANIFOLD	MANGUITO DE CONEXIÓN	1		
3	45	315-146-010	CONTACT SPRING	RESORTE DE CONTACTO	1		
3	46	315-146-021	CHOKE LEVER	PALANCA ESTRANGULADOR DE AIRE	1		
3	46	315-146-020	CHOKE LEVER	PALANCA ESTRANGULADOR DE AIRE	1		
3	47	175-131-300	HEXAGONAL NUT WITH COLLAR	TUERCA HEXAGONAL	4		
3	48	315-117-011	CATCH LEVER	TECLA DE BLOQUEO	1		
3	49	315-117-030	SPRING	MUELLE	1		
3	50	315-117-020	THROTTLE LEVER	PALANCA DEL ACELERADOR	1		
3	51	315-117-040	THROTTLE LINKAGE	VARILLA ACELERADOR	1		
3	52	010-155-011	PRIMER	BOMBA DE COMBUSTIBLE	1		PRIMER
3	53	965-452-090	TUBE	TUBO	1		2,5/5,5MM X1M L=122MM
3	54	965-452-090	TUBE	TUBO	1		2,5/5,5MM X1M L=40MM
3	55	965-452-090	TUBE	TUBO	1		2,5/5,5MM X1M L=84MM
3	56	965-452-660	TUBE	TUBO	1		5,6/3MMX1M EPA CODE, RED L=200MM
3	57	965-452-401	TUBE	TUBO	1		10X6 L=82MM
3	58	315-155-020	GASKET INTAKE MANIFOLD	JUNTA	1		
3	59	315-155-010	GASKET AIR VALVE	JUNTA	1		
3	60	315-114-080	INTERMEDIATE WALL CPL.	PARED INTERMEDIA CPL.	1		
3	61	315-131-130	CLIP	CLIP	1		
3	62	315-173-050	FOAM-INSERT	ESPUMA DE PLÁST.	1		
3	64	315-173-040	SUCTION PIPE	MANGUERA DE ASPIRACIÓN	2		
3	65	024-131-032	INSERT FOR SUCTION HOSE	SUPLEMENTO P. TUBO	1		
3	66	315-131-030	SUCTION HOSE	TUBO DE ASPIRACIÓN	1		
3	67	181-131-021	INSERT	PIEZA DE CIERRE	1		
3	68	315-131-100	AIR HOSE CPL.	MANGA CPL.	1		
3	69	315-131-120	IMPULSE LINE	IMPULSO DE LA LÍNEA	1		
3	70	001-131-040	NIPPLE	NIPLE DE CONECTION	1		
3	71	908-405-145	SCREW	TORNILLO	2		M5X14
3	72	908-405-145	SCREW	TORNILLO	2		M5X14
3	73	315-179-021	LEAD VALVE	VÁLVULA CON MEMBRANA DE ADMISIÓN	1		
3	74	315-179-010	VALVE STOPPER	CHAPA	1		

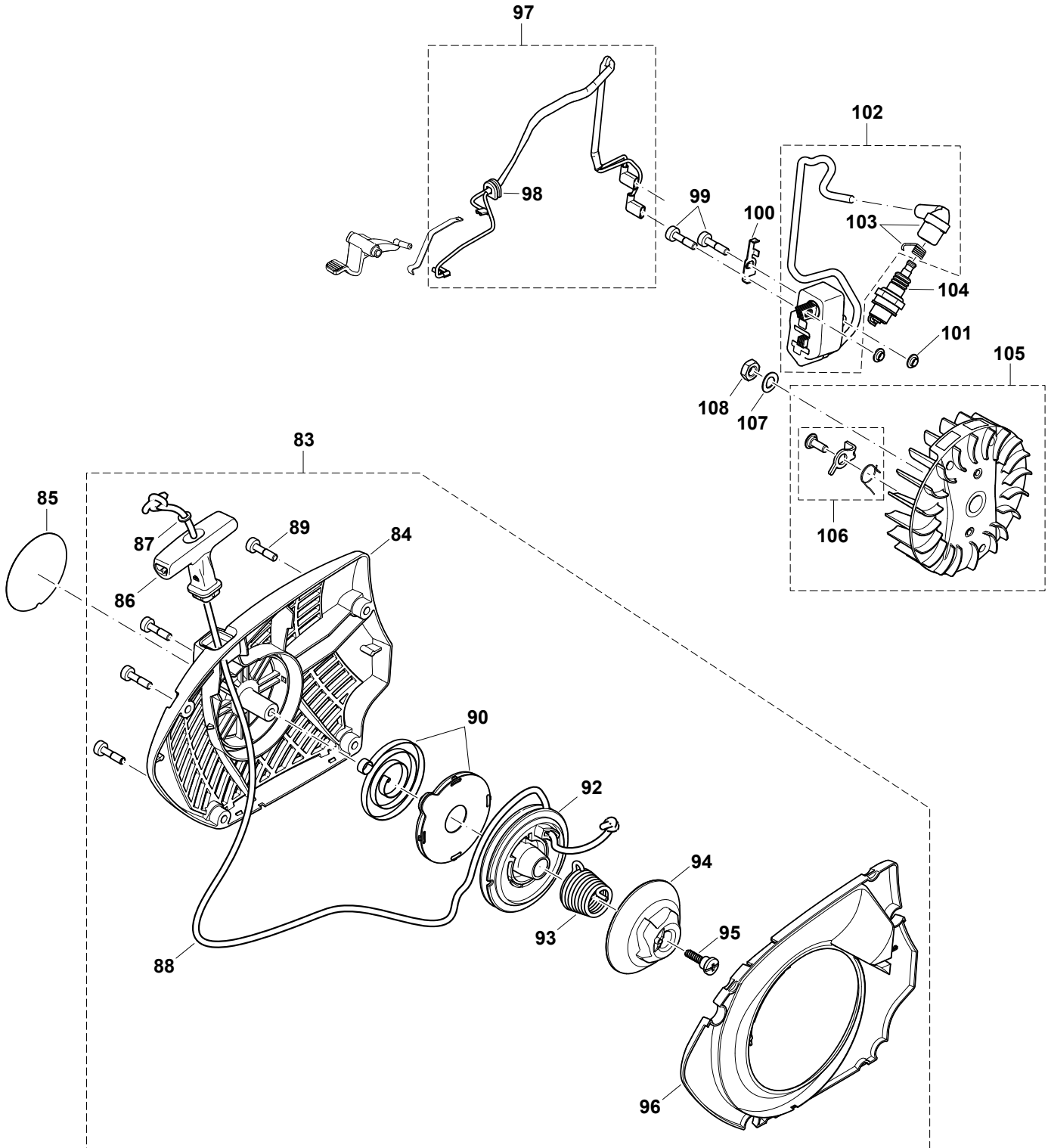
Products with multiple versions are listed in subsiding order with the newest version on top not indented.

Section	Fig. No.	Part No.	Description	Denominación	EKG101	Tech Bulletin	Notes
3	75	908-004-085	SCREW	TORNILLO	1		M4X8 INNEN6RD S LK
3	76	315-174-110	COOLING PLATE	CHAPA DEFLECTORA	1		
3	77	395-174-120	GASKET	JUNTA	1		
3	78	315-174-100	MUFFLER CPL.	SILENCIADOR CPL.	1		
3	79	315-174-150	SPARK ARRESTER SCREEN CPL.	TAMIZ CPL.	1		
3	80	908-005-165	H.L. SOCKET HEAD BOLT	TORNILLO	3		M5X16
3	82	038-111-060	SQUARE NUT	TUERCA CUADR.	1		M5, SW10



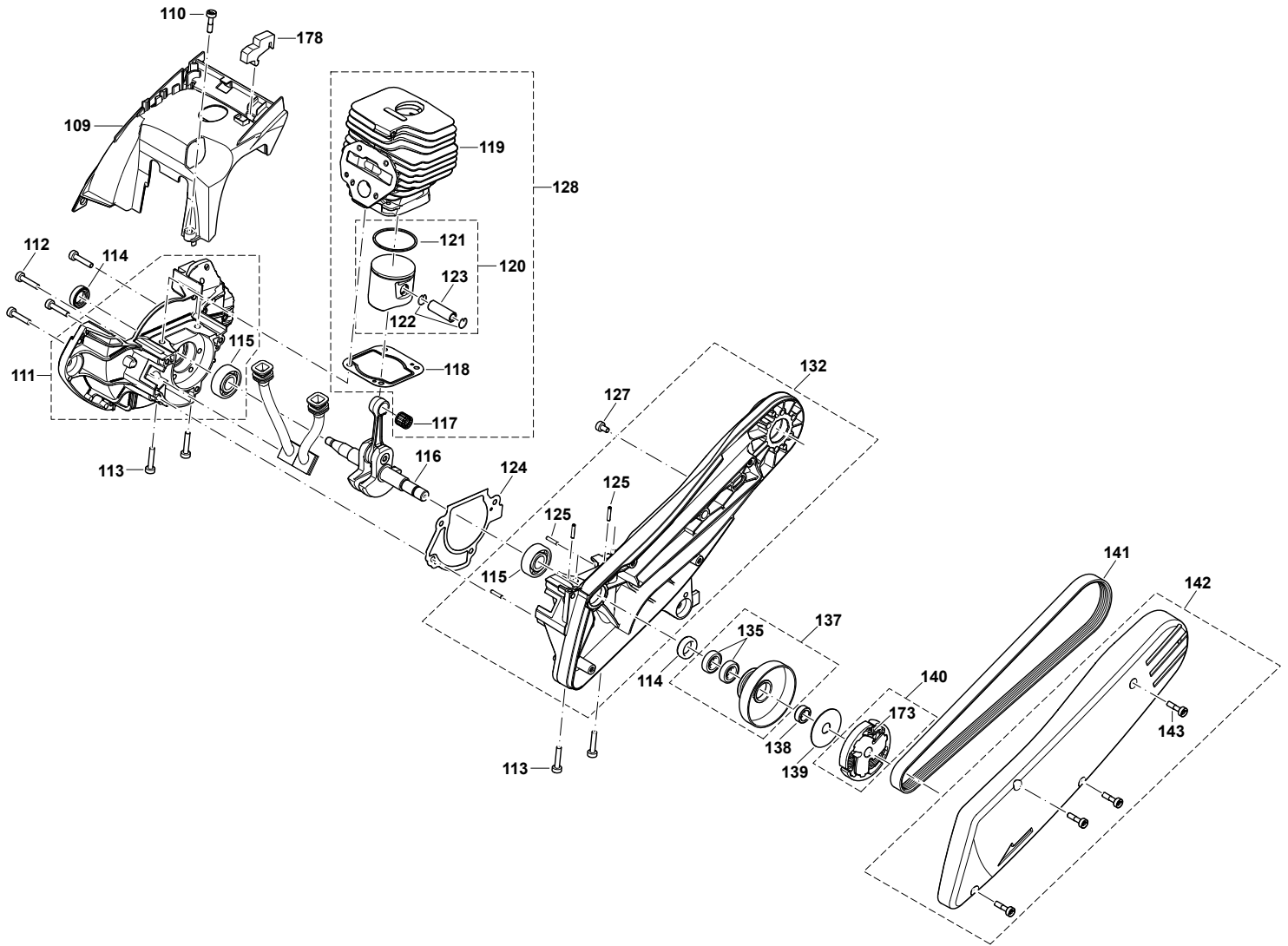
Products with multiple versions are listed in subsiding order with the newest version on top not indented.

Section	Fig. No.	Part No.	Description	Denominación	EKG101	Tech Bulletin	Notes
4	400	315-153-102	CARBURETOR CPL.	CARBURADOR CPL.	1		DM21, DD - EU, USA (REGULATED MARKET)
4	443	315-153-681	REPAIR KIT	JUEGO DE REPARAR	1		
4	443	315-153-680	REPAIR KIT	JUEGO DE REPARAR	1		
4	444	315-153-690	GASKET & DIAPHRAGM KIT	JUEGA JUNTA & MEMBRANA	1		
4	445	315-153-631	CHOKE KIT	JUEGO EJE VÁLVULA AIRE	1		
4	446	315-153-640	THROTTLE KIT	JUEGO EJE VÁLVULA REG.	1		
4	450	315-153-700	AIR FLAP CPL.	VÁLVULA DE AIRE	1		



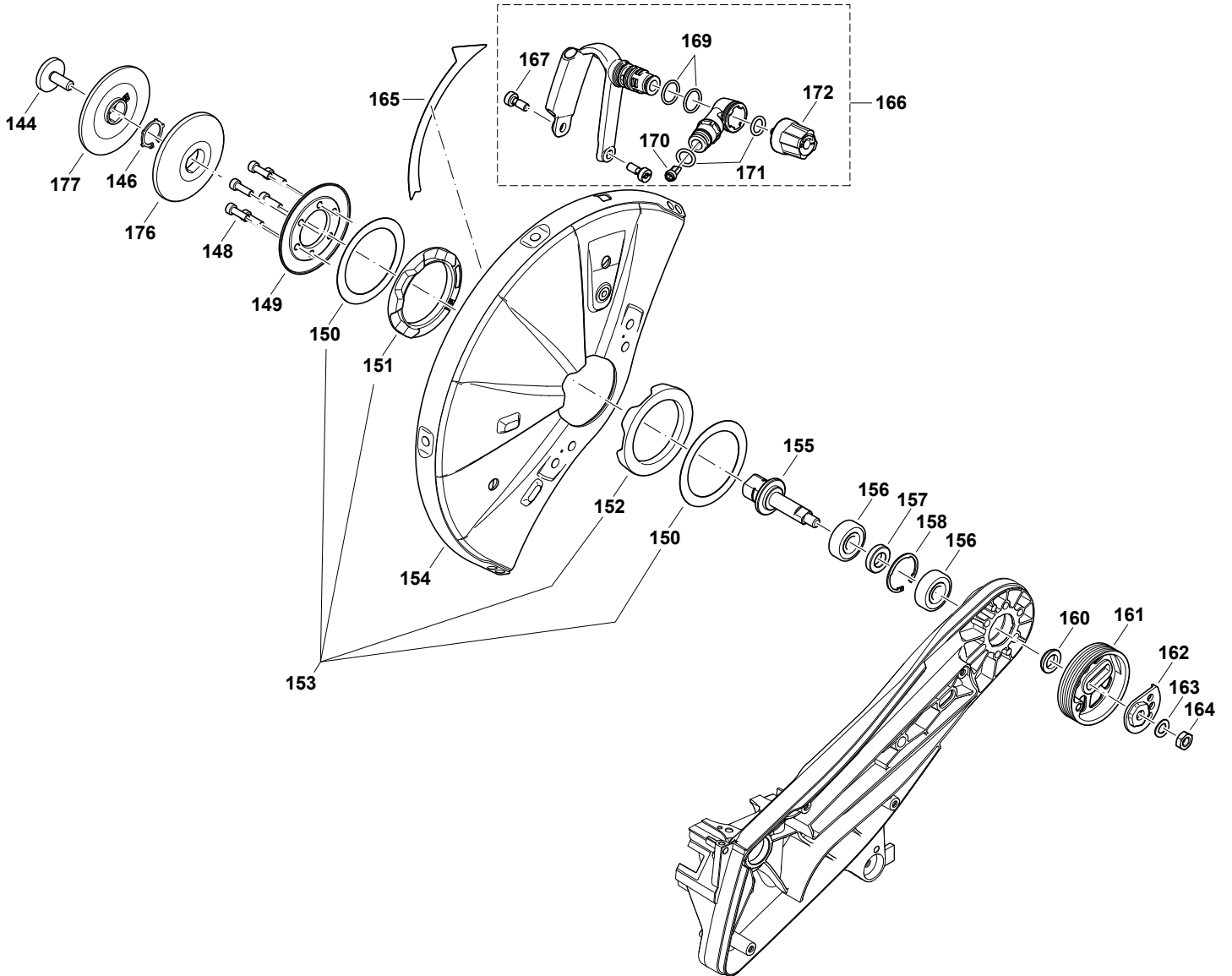
Products with multiple versions are listed in subsiding order with the newest version on top not indented.

Section	Fig. No.	Part No.	Description	Denominación	EK6101	Tech Bulletin	Notes
5	83	315-160-600	STARTER ASSY. BLUE	DISPOS. DE ARRANQUE CPL. AZUL	1		
5	84	315-160-630	STARTER ASSY. BLUE	DISPOS. DE ARRANQUE CPL. AZUL	1		
5	85	980-115-514	LABEL	CALCOMANIA	1		MAKITA
5	86	181-164-010	STARTER KNOB	TIRADOR DE ARRANQUE	1		
5	87	928-405-000	DISC	ARANDELA	1		
5	88	394-164-020	STARTER ROPE BLACK	CORDÓN DE ARRANQUE NEGRO	1		Ø4 X 1000MM
5	89	908-605-205	SCREW	TORNILLO	4		M5X20
5	90	181-163-050	REWIND SPRING IN HOUSING	RESORTE RETENC. EN CAJA	1		
5	92	315-162-020	CABLE DRUM	TAMBOUR PARA CORDÓN	1		
5	93	181-163-080	SPRING EASY-START	RESORTE RETENCIÓN	1		
5	94	315-163-090	STARTER WHEEL	RUEDA DE ARRANQUE	1		
5	95	181-163-095	SCREW	TORNILLO	1		
5	96	315-160-020	AIR GUIDE PLATE	CONDUCTO DE AIRE	1		
5	97	315-147-010	SHORT-CIRCUIT CABLE	CABLE CORTO-CIRC.	1		
5	98	965-401-016	RUBBER BUSH	BOQUILLA DE CAUCHO	1		
5	99	908-805-205	SCREW	TORNILLO	2		M5X20
5	100	315-143-110	EARTH SHEET	CONDUCCIÓN A MASA	1		
5	101	195-143-031	ISOLATING WASHER	ARANDELA	2		NATURE
5	102	315-143-100	IGNITION COIL, CPL.	BOBINA DE ENCENDIDO CPL.	1		
5	103	957-604-260	SPARK PLUG CAP CPL.	TAPA DE BUJIA CPL.	1		
5	104	965-603-021	SPARK PLUG	BUJÍA	1		
5	105	315-141-100	FLYWHEEL ASSY.	VOLANTE ENCENDIDO	1		
5	106	315-166-020	STARTER RATCHET CPL.	TRINQUETE ARRANQUE CPL.	2		
5	107	267822-3	SPRING WASHER	DISCO AMORTIGUADOR	1		B8
5	108	920-308-024	HEXAGONAL NUT	TUERCA HEXAGONAL	1		M8X1



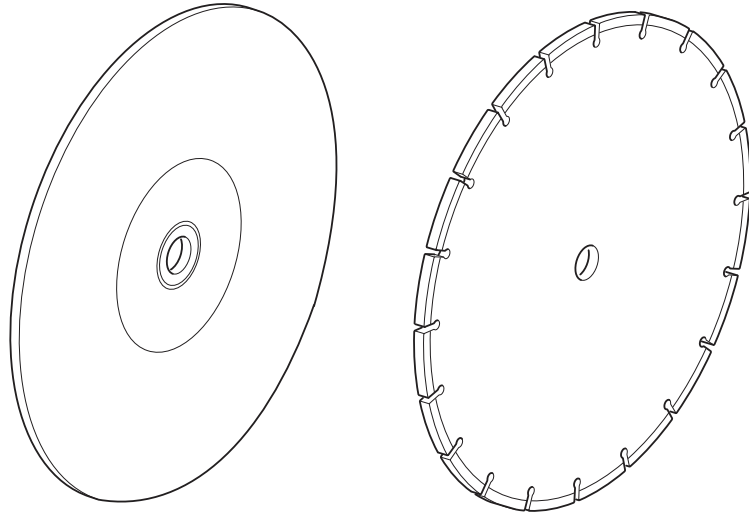
Products with multiple versions are listed in subsiding order with the newest version on top not indented.

Section	Fig. No.	Part No.	Description	Denominación	EK6101	Tech Bulletin	Notes
6	109	315-131-110	COOLING HOOD	CUBIERTA	1		
6	110	908-605-205	SCREW	TORNILLO	1		M5X20
6	111	315-111-110	CRANKCASE MAGN. SIDE ASSY.	CÁRTER CIG. LADO MA. CPL.	1		
6	112	908-005-255	PAN HEAD ALLEN SCREW	TORNILLO CILINDRICO	4		M5X25
6	113	908-005-255	PAN HEAD ALLEN SCREW	TORNILLO CILINDRICO	4		M5X25
6	114	962-900-052	RADIAL RING	JUNTA RADIAL	2		Ø15/24X7
6	115	960-102-152	BALL BEARING (USE GLUE)	RODAM. DE BOLAS (A COLAR)	2		6202
6	115	960-102-159	BALL BEARING (USE GLUE)	RODAM. DE BOLAS (A COLAR)	2		6202
6	116	315-120-011	CRANKSHAFT ASS'Y	CIGÜEÑAL CPL.	1		
6	117	962-210-111	NEEDLE CAGE	JAULA DE AGUJAS	1		
6	118	315-131-020	GASKET	JUNTA	1		
6	119	315-131-011	CYLINDER	CILINDRO	1		
6	119	315-131-010	CYLINDER	CILINDRO	1		D47
6	120	315-132-101	PISTON CPL.	PISTÓN CPL.	1		D47
6	121	315-132-020	PISTON RING	SEGMENT DE PISTON	1		D47
6	122	315-132-040	CIRCLIP	ANILLO ELÁSTICO	2		11
6	123	315-132-050	PISTON PIN	BULÓN DEL PISTÓN	1		
6	124	315-111-030	CRANK CASE GASKET	JUNTA	1		
6	125	936-430-160	CLAMPING PIN	PASADOR	4		3X16
6	127	908-005-095	SCREW	TORNILLO	1		M5X9
6	128	957-130-315	CYLINDER / PISTON CPL.	CILINDRO CON PISTÓN CPL.	1		D47
6	132	315-111-230	CRANKCASE CL. SIDE ASSY.	CÁRTER CIG. LADO EM. CPL.	1		350 (14")
6	135	960-124-126	BALL BEARING	RODAMIENTO DE BOLAS	2		6901
6	137	315-223-020	CLUTCH DRUM CPL.	TAMBOR CPL.	1		
6	138	315-183-010	SPACER	CASQUILLO SEPARADOR	1		
6	139	001-182-042	DISC	DISCO	1		44,5X1X12
6	140	181-180-200	CLUTCH ASSY.	EMBRAGUE CPL.	1		
6	141	965-300-510	V-BELT	CORREA ESTRECHO	1		6PJ812 (14")
6	142	315-211-651	BELT COVER ASS'Y	CUBIERTA DE CORREA PL.	1		MAKITA (14")
6	143	315-211-060	SCREW	TORNILLO	4		M5X20
6	173	181-184-010	SPRING	RESORTE	3		
6	178	315-114-180	STOPPER	BOZA	1		

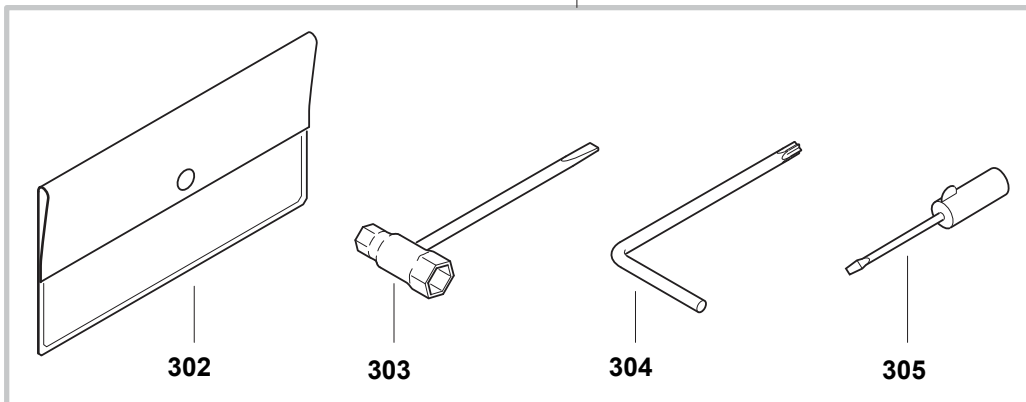


Products with multiple versions are listed in subsiding order with the newest version on top not indented.

Section	Fig. No.	Part No.	Description	Denominación	EK6101	Tech Bulletin	Notes
7	144	994-290-250	HEXAGON HEAD BOLT	TORNILLO HEXAGONAL	1		M8X25
7	146	929-420-120	RETAINING RING	ANILLO SEGURIDAD	1		20X1,2
7	148	908-405-145	SCREW	TORNILLO	6		M5X14
7	149	315-342-010	PRESSURE RING	ANILLO DE PRESIÓN	1		
7	150	315-342-030	SLIDING DISC	ARANDELA DESLIZANTE	2		
7	151	315-342-050	RUBBER RING INT.	ANILLO DE GOMA INTERIOR	1		
7	152	315-342-040	RUBBER RING EXT.	ANILLO DE GOMA EXTERIOR	1		
7	153	957-342-030	PROT. HOOD MOUNTING, CPL.	ALOJAMIENTO CUB. PROT., CPL.	1		
7	154	315-341-200	PROTECTION HOOD ASSY.	CUBIERTA PROTECTORA CPL.	1		350CM/14"
7	155	315-228-031	AXLE	EJE	1		
7	155	315-228-030	AXLE	EJE	1		20,0
7	156	960-102-126	BALL BEARING	RODAMIENTO DE BOLAS	2		6201 LLU
7	157	315-228-021	SPACER	CASQUILLO SEPARADOR	1		
7	158	929-232-120	RETAINING RING	ANILLO ELÁSTICO	1		32X1,2
7	160	315-221-041	WASHER	ARANDELA	1		
7	161	315-221-120	BELT PULLEY	POLEA	1		14"
7	162	315-221-030	ECCENTRIC	EXCÉNTRICA	1		
7	163	267822-3	SPRING WASHER	DISCO AMORTIGUADOR	1		B8
7	164	920-308-024	HEXAGONAL NUT	TUERCA HEXAGONAL	1		M8X1
7	165	980-115-770	CAUTION LABEL	CALCOMANIA	1		350/20/80
7	166	957-341-040	WATER ATTACHMENT KIT	ACOMETIDA DE AGUA	1		
7	167	315-341-140	JET SCREW	TORNILLO	2		
7	169	963-216-020	O-RING	ANILLO DE GUARNICIÓN	2		16X2
7	170	315-341-150	WATER SUCTION FILTER	FILTRO	1		
7	171	963-211-025	O-RING	ANILLO DE GUARNICIÓN	2		11X2,5
7	172	315-341-130	REGULATING SCREW	TORNILLO REGULADOR	1		
7	176	315-228-110	PRESSURE DISC	DISCO DE PRESIÓN	1		20,0 (350CM/14")
7	177	315-228-110	PRESSURE DISC	DISCO DE PRESIÓN	1		20,0 (350CM/14")
7	177	315-228-120	PRESSURE DISC	DISCO DE PRESIÓN	1		25,4 (350CM/14")



300



Products with multiple versions are listed in subsiding order with the newest version on top not indented.

Section	Fig. No.	Part No.	Description	Denominación	EKG101	Tech Bulletin	Notes
8	300	957-004-002	TOOL CPL.	HERRAMIENTAS CPL.	1		
8	302	950-004-002	PLASTIK BAG	CÁRTERA HERRAMIENTAS	1		
8	303	941-719-133	UNIVERSAL WRENCH	LLAVE DE BUJIA	1		SW 13/19 MM
8	304	940-827-000	ANGLED SCREW DRIVER	LLAVE ANGULAR	1		T27
8	305	944-340-001	SCREWDRIVER	DESTORNILLADOR	1		